

[54] COMBINED SIMULATIVE TOY PEN BOX AND PENS

D. 112,273 11/1938 Blunt D9/333
D. 214,105 5/1969 Cline D19/85
D. 273,875 5/1984 Evenson D19/85

[75] Inventor: Hiroshi Ukisu, Matsudo, Japan

[73] Assignee: Epoch Company, Ltd., Tokyo, Japan

[**] Term: 14 Years

[21] Appl. No.: 131,535

[22] Filed: Dec. 11, 1987

[52] U.S. Cl. D21/59; D19/41; D21/109

[58] Field of Search D21/50, 109; D3/20, D3/21; D9/307, 332, 333, 414, 420; 446/71, 73, 75, 80, 475, 483, 489, 491; 434/159, 100, 403; 273/157 R; D19/41, 85, 71

[56] References Cited

U.S. PATENT DOCUMENTS

D. 10,886 10/1878 Weller D9/333
D. 101,073 9/1936 Tamis D19/41

Primary Examiner—Charles A. Rademaker
Attorney, Agent, or Firm—Staas & Halsey

[57] CLAIM

The ornamental design for a combined simulative toy pen box and pens, as shown and described.

DESCRIPTION

FIG. 1 is a front elevational view of a combined simulative toy pen box and pens showing my new design, the side opposite being a mirror image;
FIG. 2 is a right side elevational view thereof;
FIG. 3 is a left side elevational view thereof;
FIG. 4 is a top plan view thereof;
FIG. 5 is a bottom plan view thereof; and
FIG. 6 is a perspective view thereof showing the cover removed and one pen removed from the box and positioned in the cover.

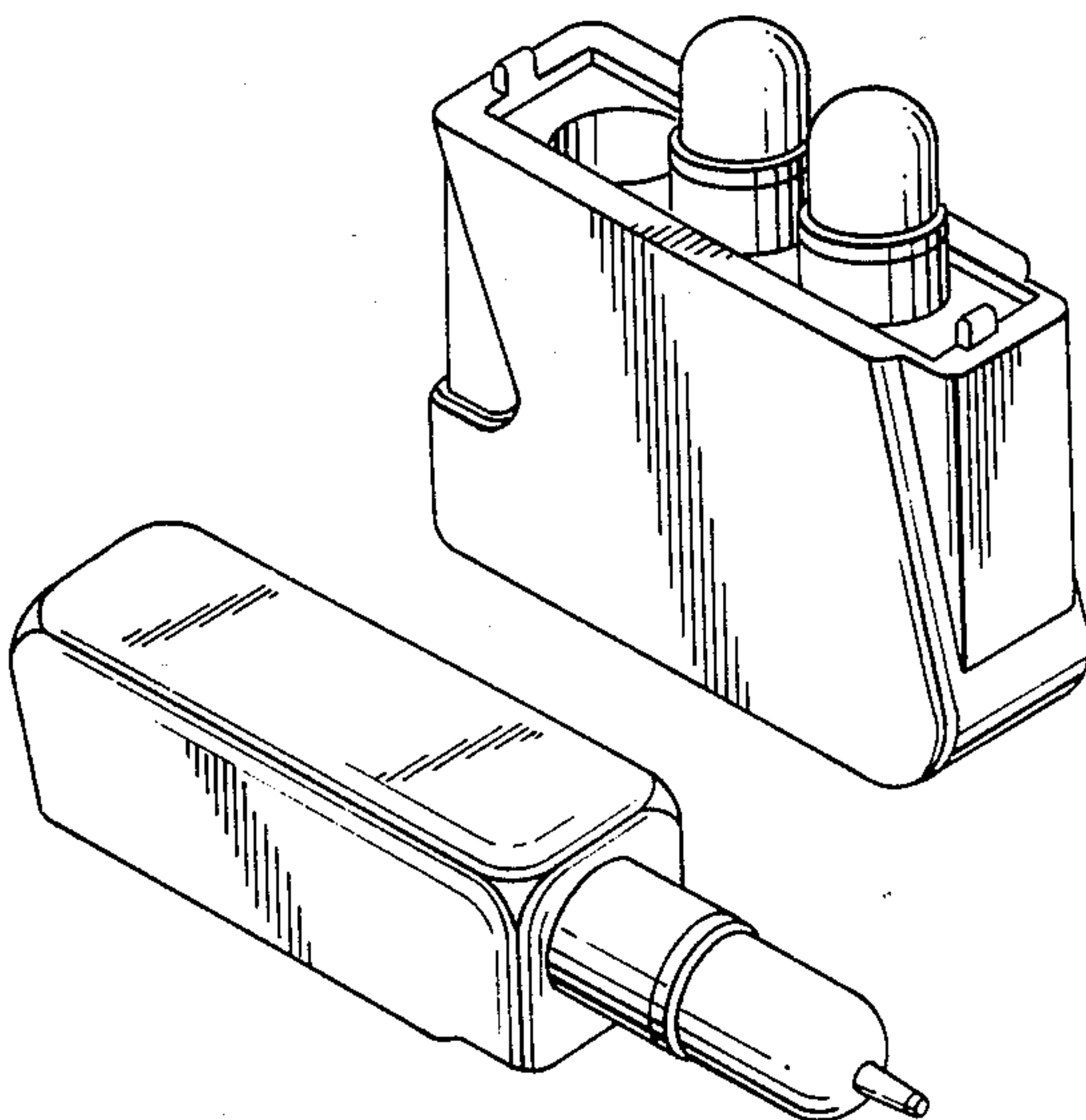


FIG. 1.

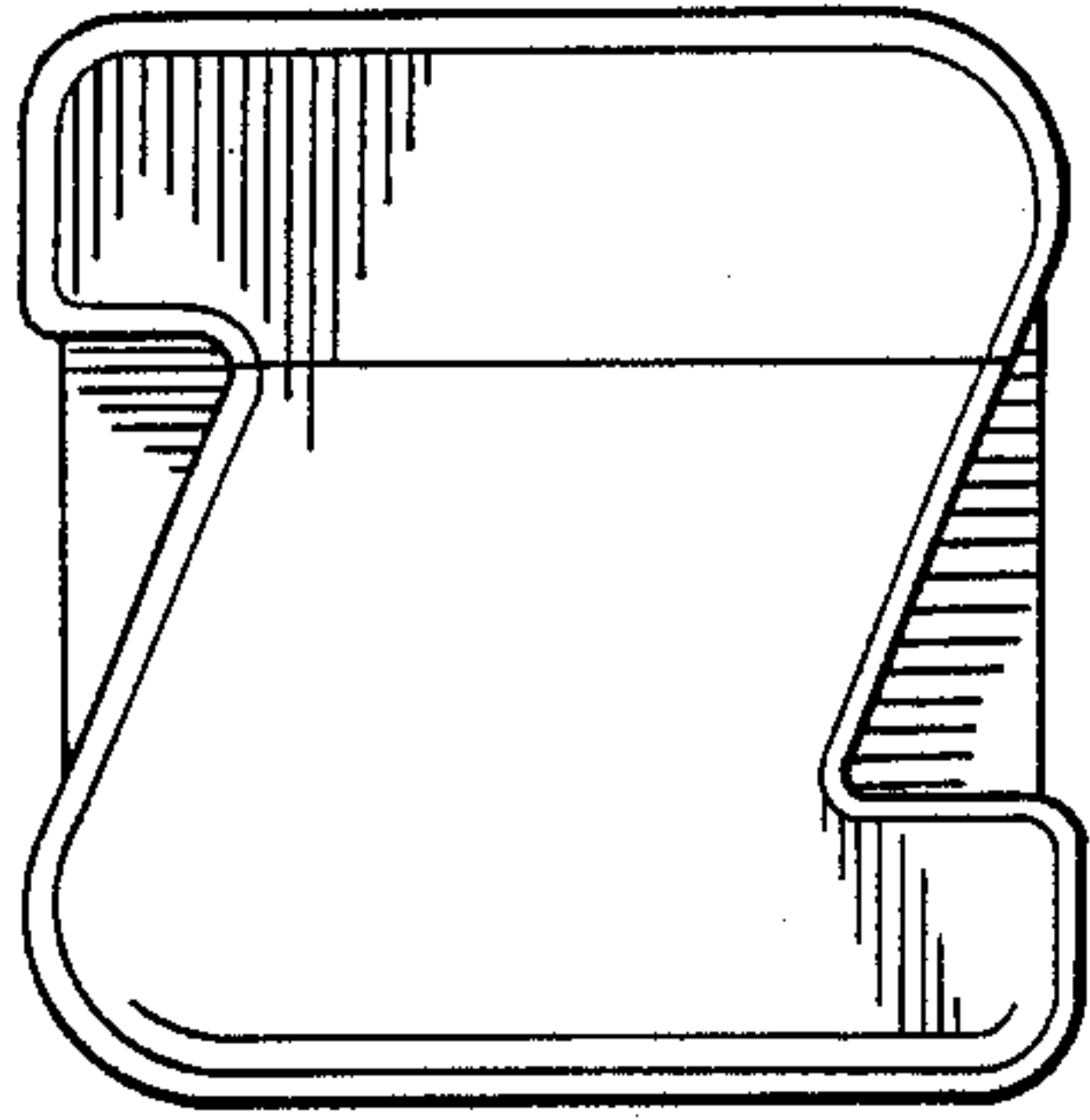


FIG. 2.



FIG. 3.

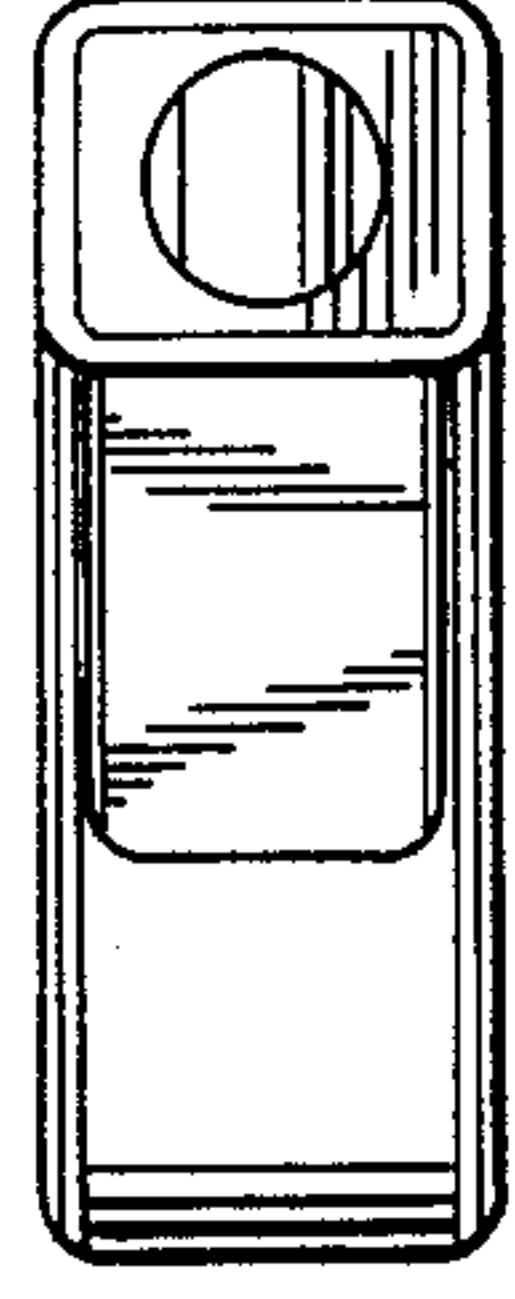


FIG. 4.

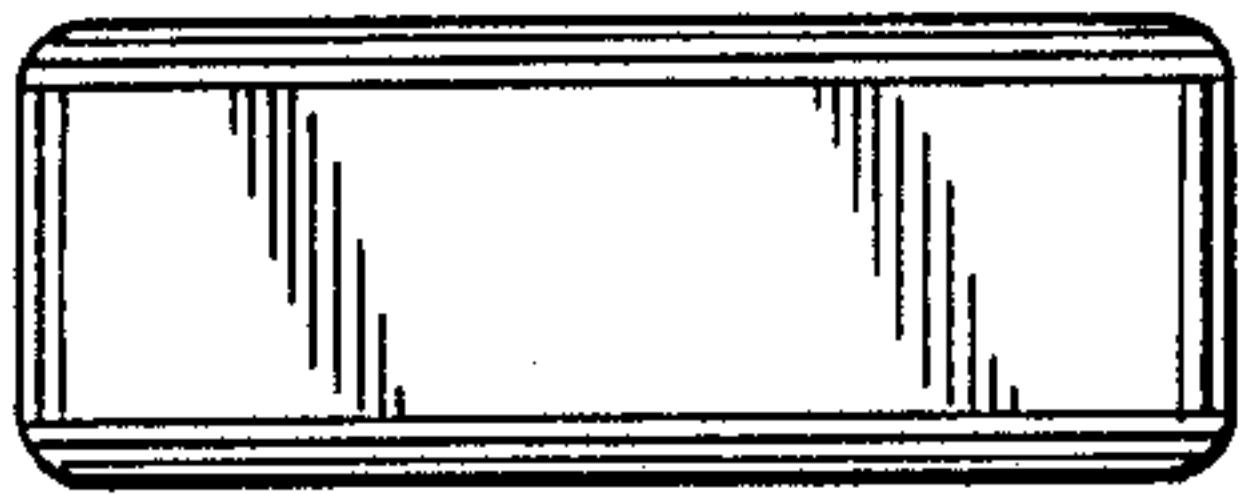


FIG. 5.



FIG. 6.

