

[54] PRINTING RIBBON CARTRIDGE

[75] Inventor: Mario Bellini, Milan, Italy

[73] Assignee: Ing. C. Olivetti & C., S.p.A., Turin, Italy

[**] Term: 14 Years

[21] Appl. No.: 36,700

[22] Filed: Apr. 10, 1987

[30] Foreign Application Priority Data

Oct. 21, 1986 [IT] Italy 53984-B/86

[52] U.S. Cl. D18/12

[58] Field of Search D18/12, 22, 23, 899; 400/196.18, 208

[56] References Cited

U.S. PATENT DOCUMENTS

- D. 234,633 3/1975 Bellini D18/12
- D. 246,332 11/1977 Bellini D18/12
- D. 272,544 2/1984 Daughters D18/12
- D. 277,193 1/1985 Asahi D18/12

- D. 281,255 11/1985 Nibley et al. D18/12
- D. 281,257 11/1985 Bellini D18/22
- D. 286,057 10/1986 Tamada et al. D18/12
- D. 289,529 4/1987 Cappotto et al. D18/22
- D. 290,715 7/1987 Omino et al. D18/12
- 4,175,719 11/1979 Speckman D18/12 X
- 4,511,271 4/1985 Oberto 400/208

Primary Examiner—James R. Largen
Attorney, Agent, or Firm—Banner, Birch, McKie & Beckett

[57] CLAIM

The ornamental design for a printing ribbon cartridge, substantially as shown and described.

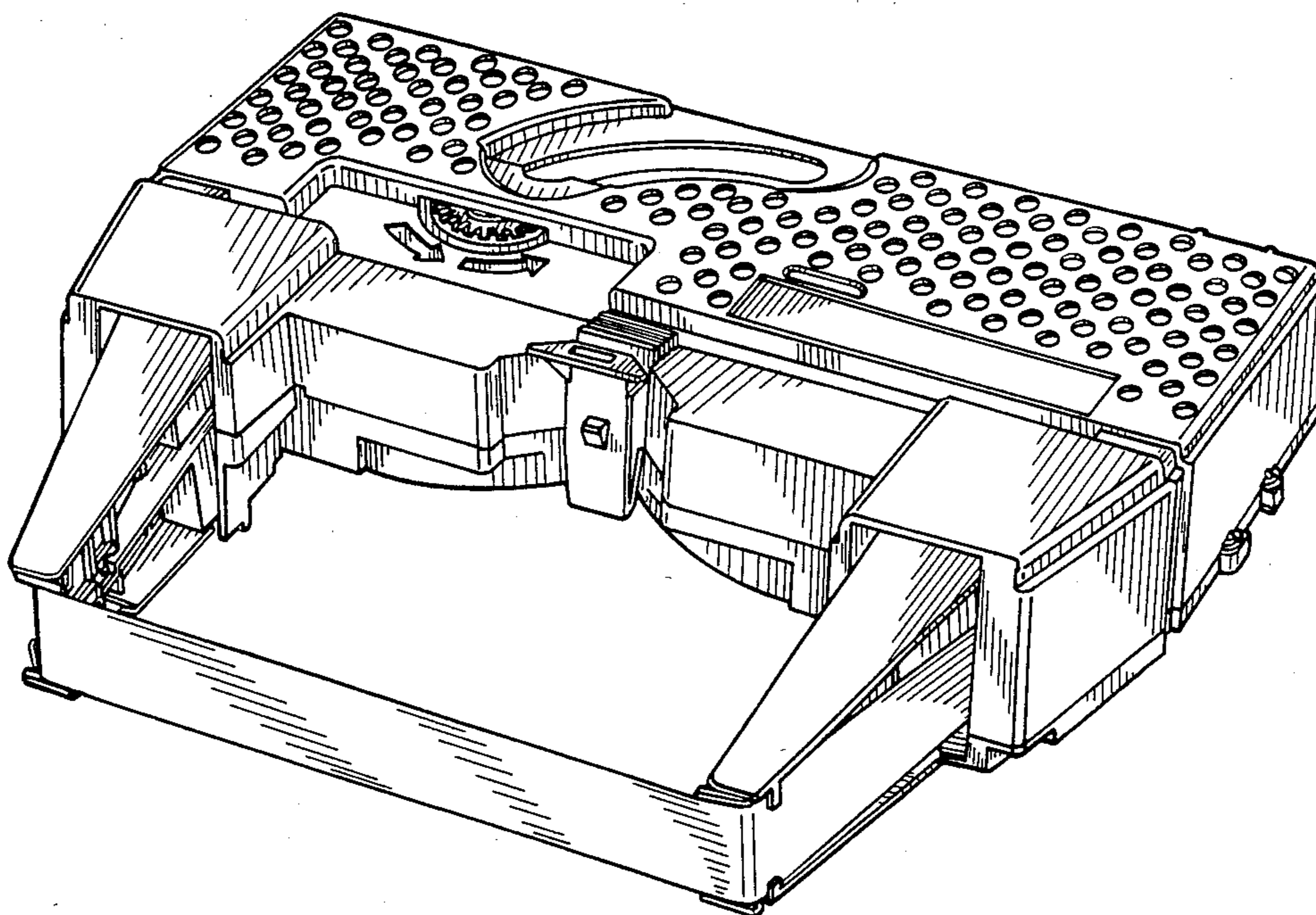
DESCRIPTION

FIG. 1 is a perspective view taken from the top, front and right side of a printing ribbon cartridge showing my new design;

FIG. 2 is a perspective view taken from the top, rear and left side thereof;

FIG. 3 is a left side elevational view thereof; and

FIG. 4 is a bottom plan view thereof.



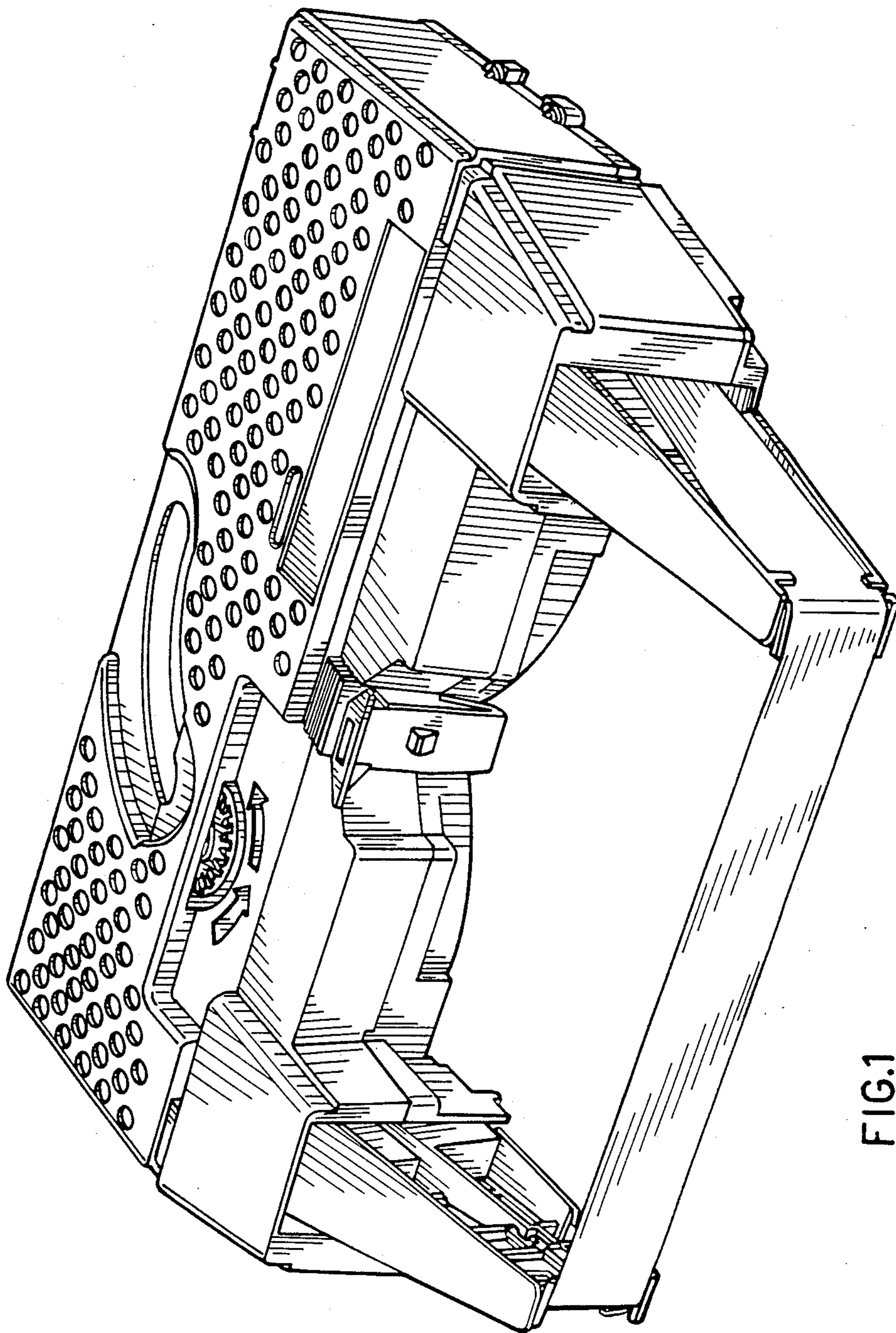


FIG.1

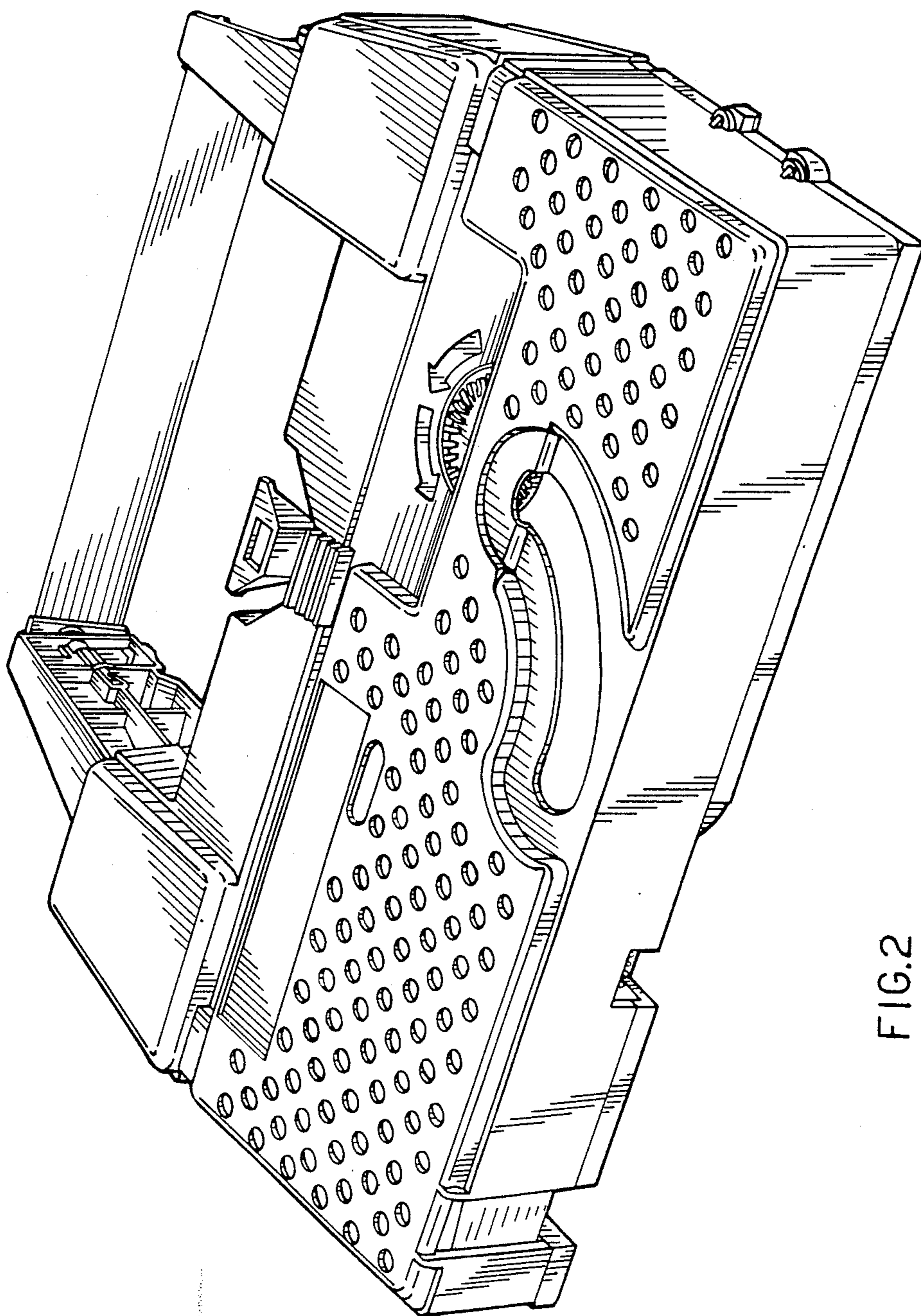


FIG.2

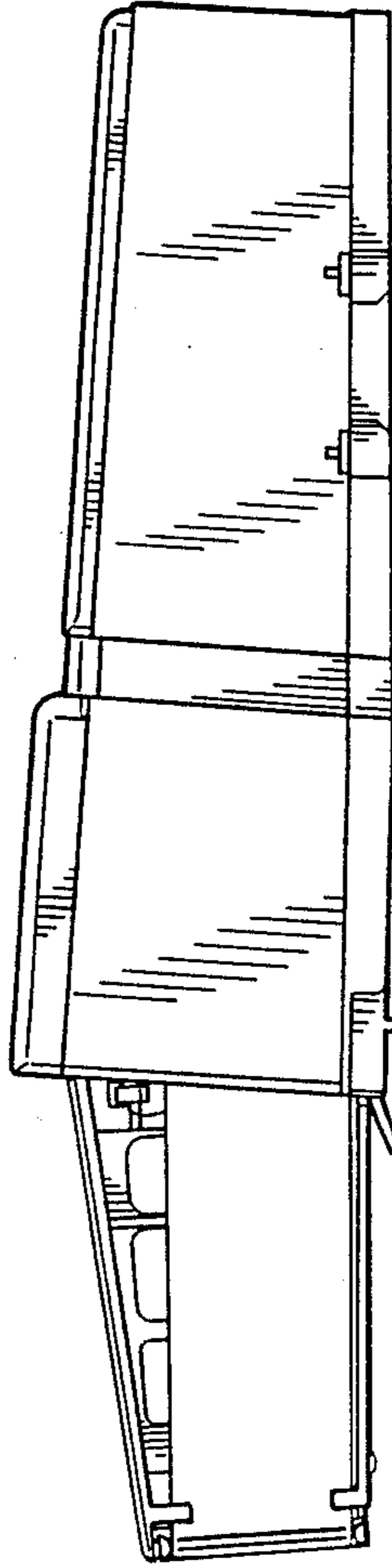


FIG.3

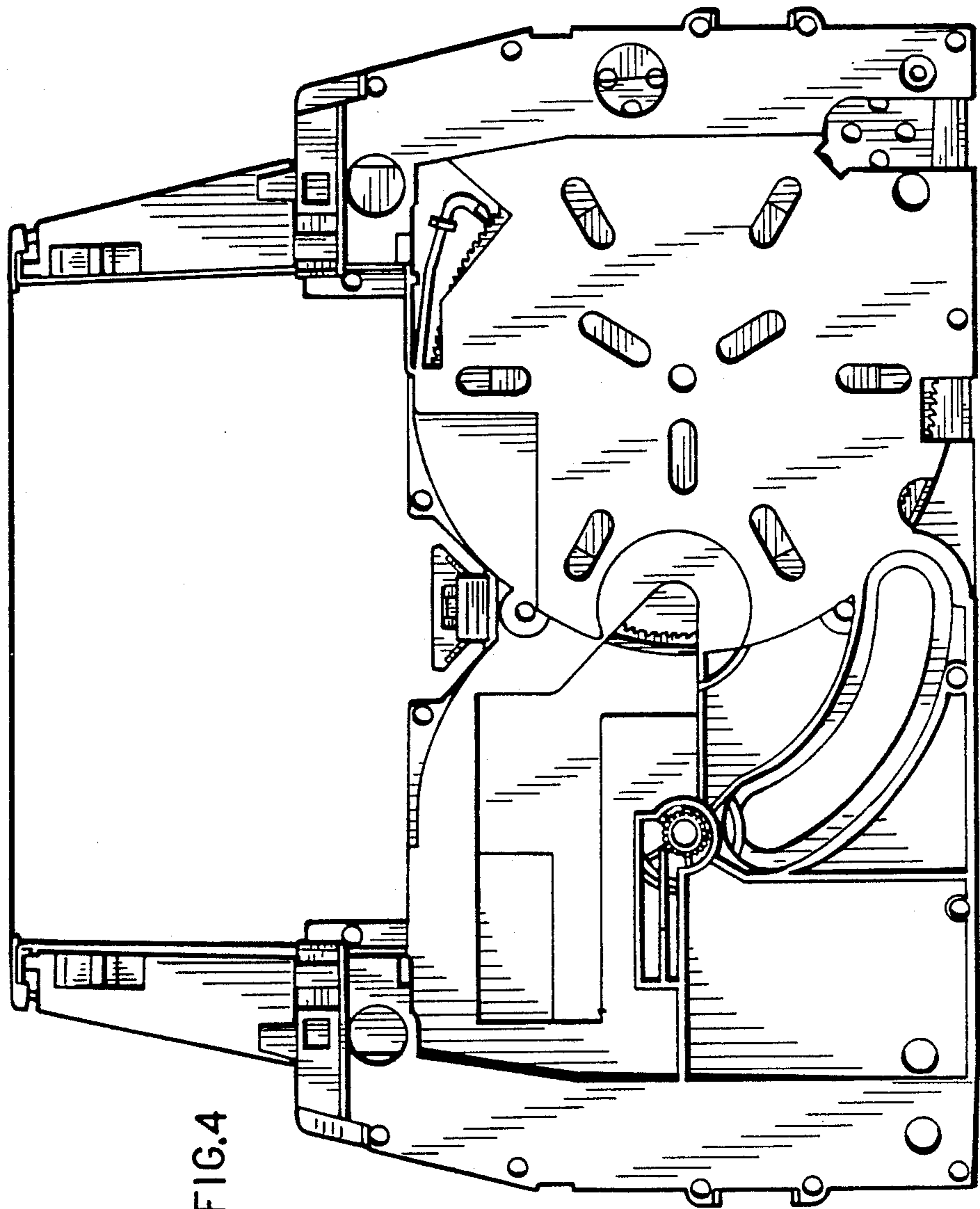


FIG. 4