

[54] OVERHEAD PROJECTOR

[75] Inventor: Nobuki Matsumoto, Kanagawa, Japan  
[73] Assignee: Ricoh Company, Ltd., Tokyo, Japan  
[\*\*] Term: 14 Years  
[21] Appl. No.: 893,264  
[22] Filed: Aug. 5, 1986  
[30] Foreign Application Priority Data

Feb. 12, 1986 [JP] Japan ..... 61-004,603  
[52] U.S. Cl. .... D16/232  
[58] Field of Search ..... D16/221, 232; 353/66, 353/98, 99, 119, 122, DIG. 3, DIG. 4

[56] References Cited

U.S. PATENT DOCUMENTS

D. 182,374 3/1958 Miller ..... D16/232  
3,762,809 10/1973 Kato et al. .... 353/66  
4,565,430 1/1986 Grunwald ..... 353/61  
4,588,271 5/1986 Emura ..... 353/66  
4,696,557 9/1987 Tomizuka ..... 353/66

FOREIGN PATENT DOCUMENTS

1168485 6/1984 Canada ..... 353/DIG. 3

Primary Examiner—Bernard Ansher  
Assistant Examiner—Adir Aronovich  
Attorney, Agent, or Firm—Oblon, Spivak, McClelland, Maier & Neustadt

[57] CLAIM

The ornamental design for overhead projector, as shown and described.

DESCRIPTION

FIG. 1 is a front and top right perspective view of an overhead projector, showing my new design; FIG. 2 is a front elevational view thereof; FIG. 3 is a top plan view thereof; FIG. 4 is a right side elevational view thereof; FIG. 5 is a left side elevational view thereof; FIG. 6 is a rear elevational view thereof; FIG. 7 is a bottom plan view thereof; and FIG. 8 is a front top left perspective view in a fully assembled condition.

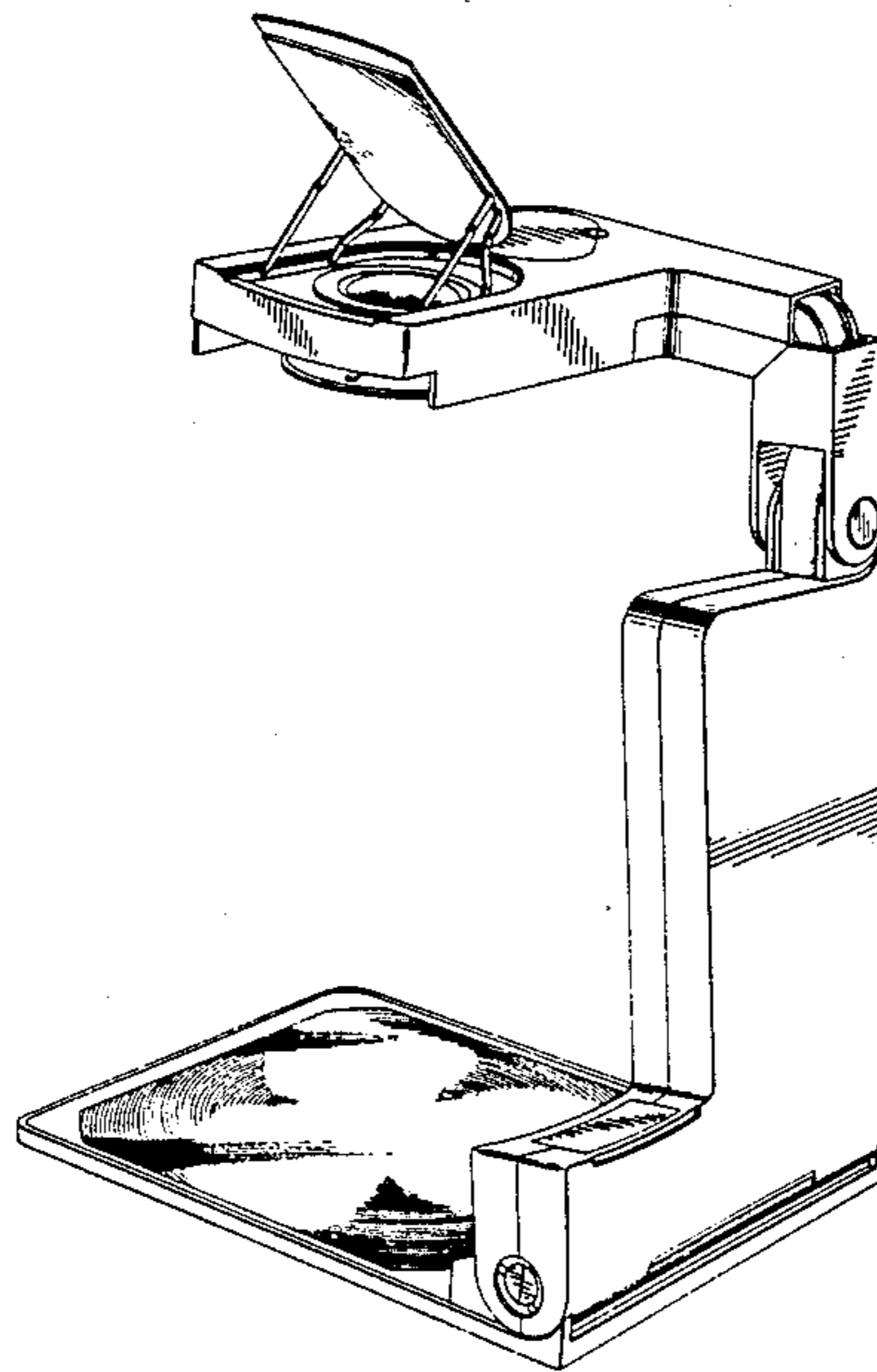


FIG. 1

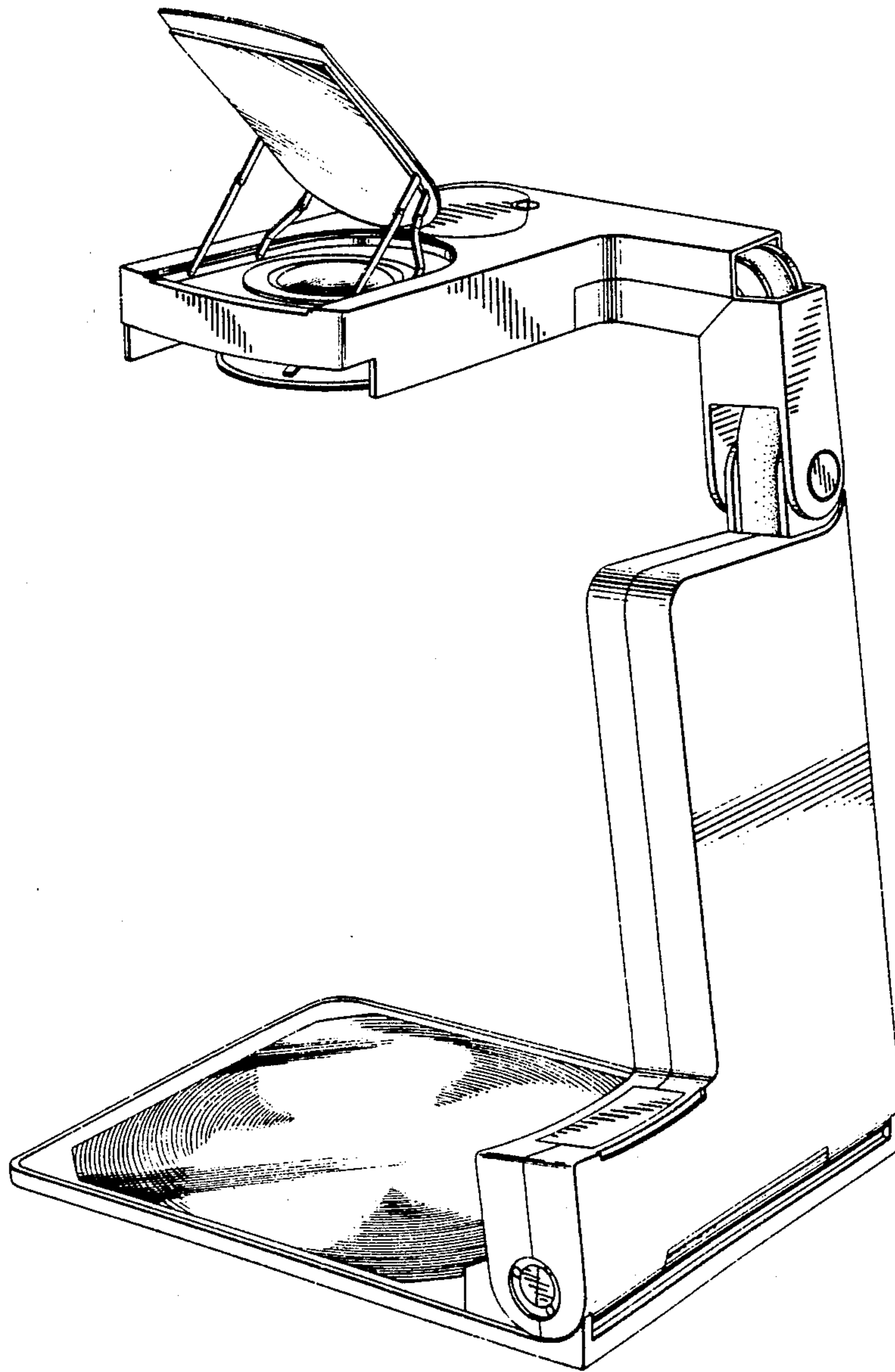


FIG. 2

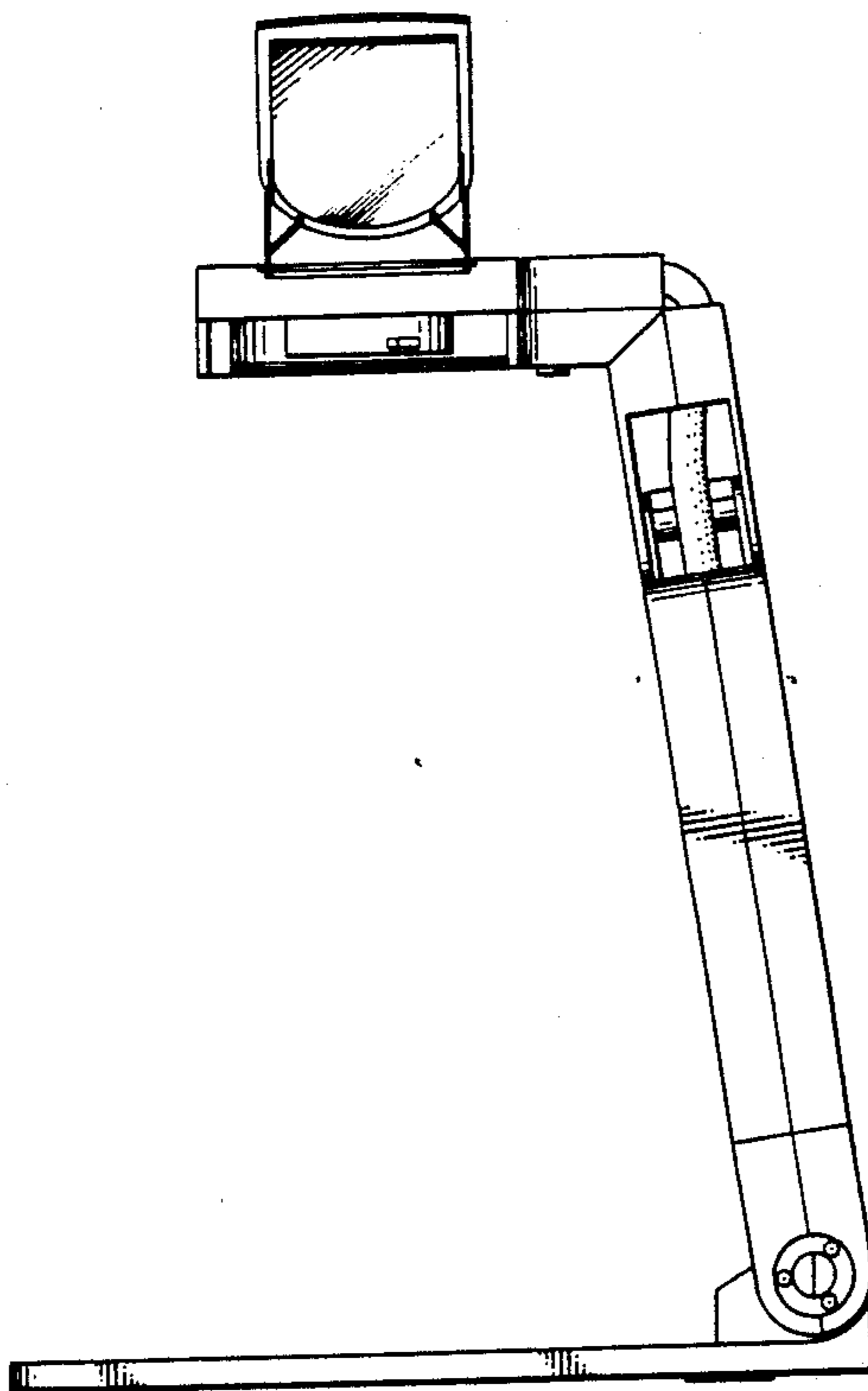


FIG. 3

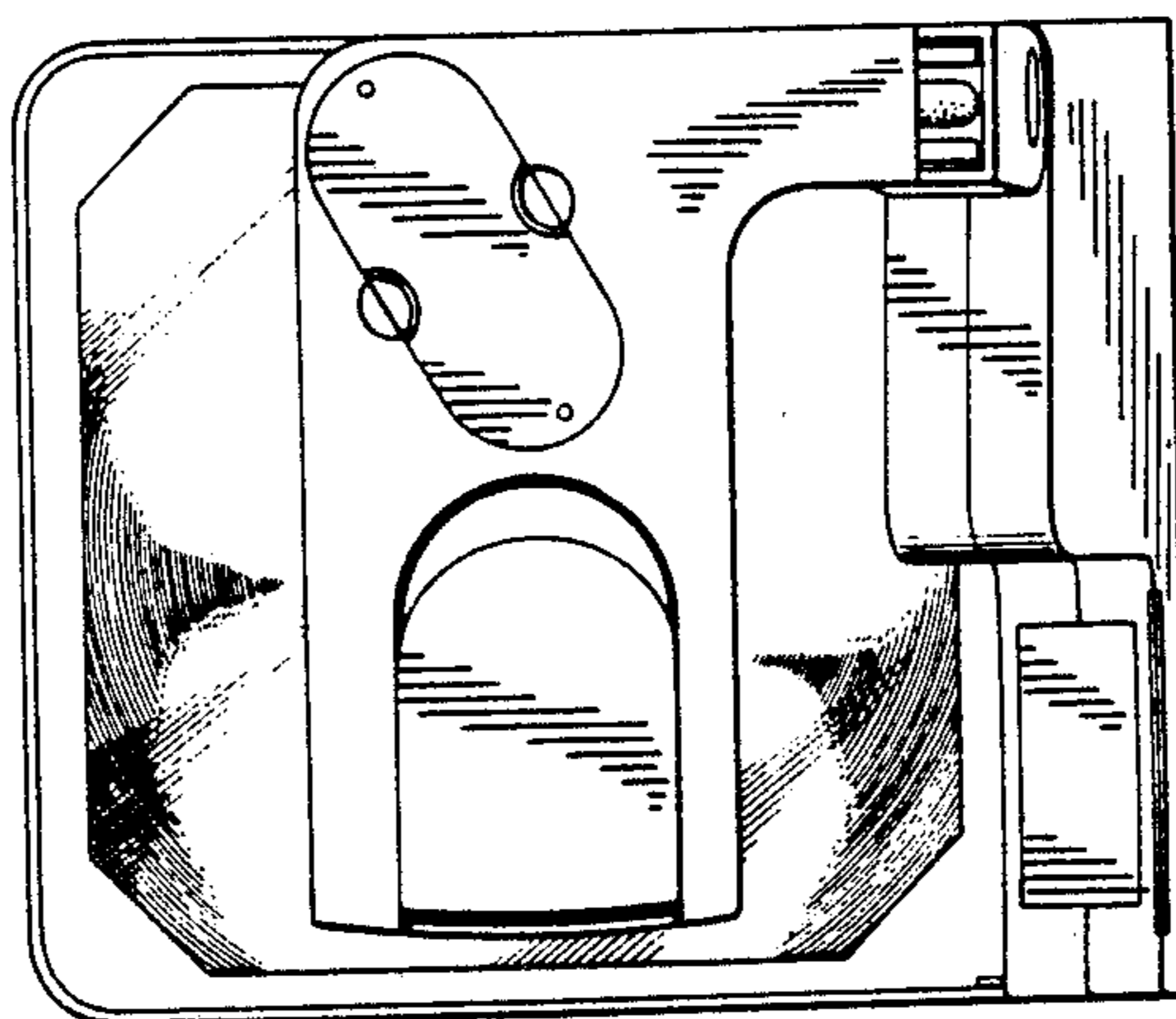


FIG. 4

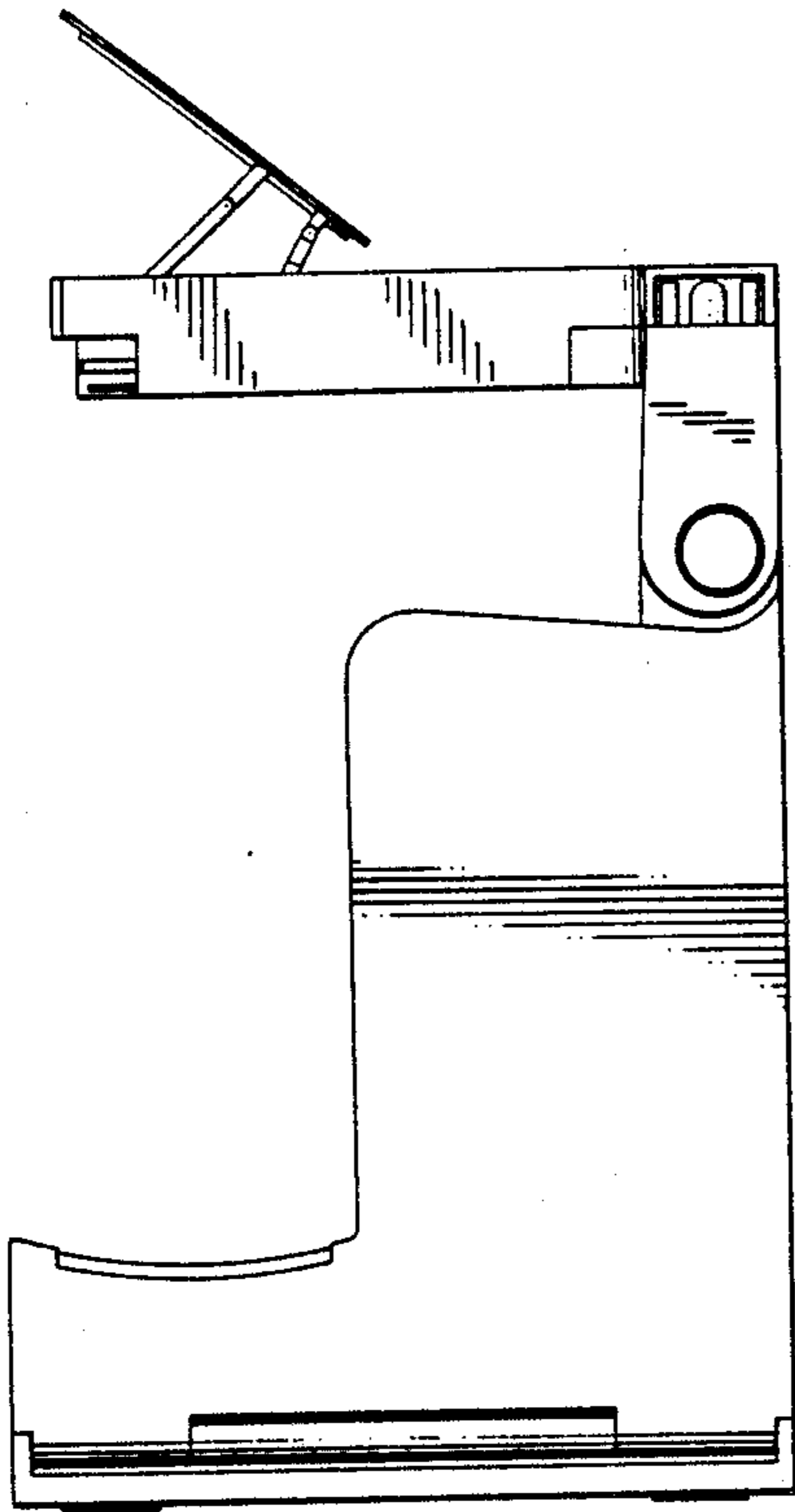


FIG. 5

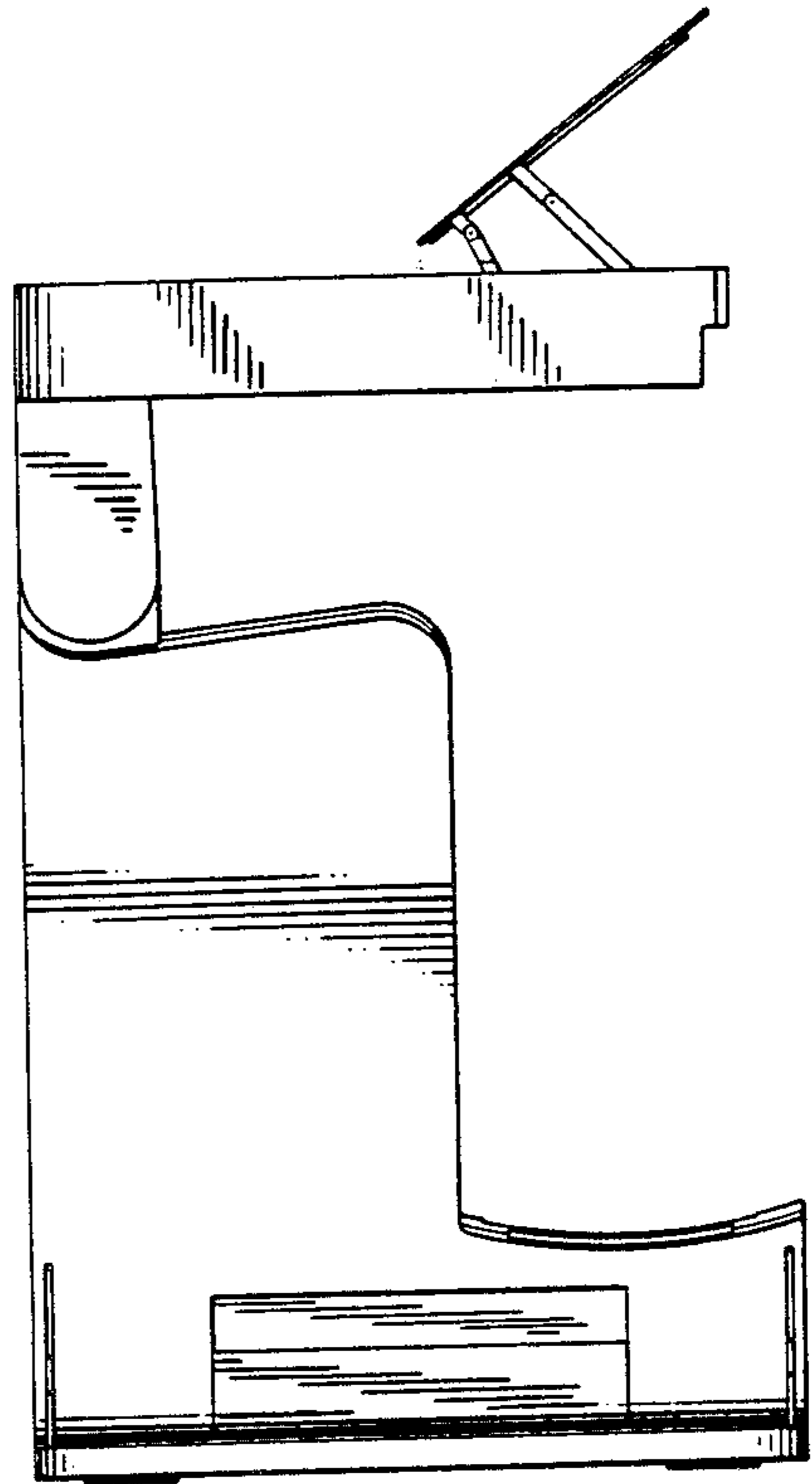


FIG. 8

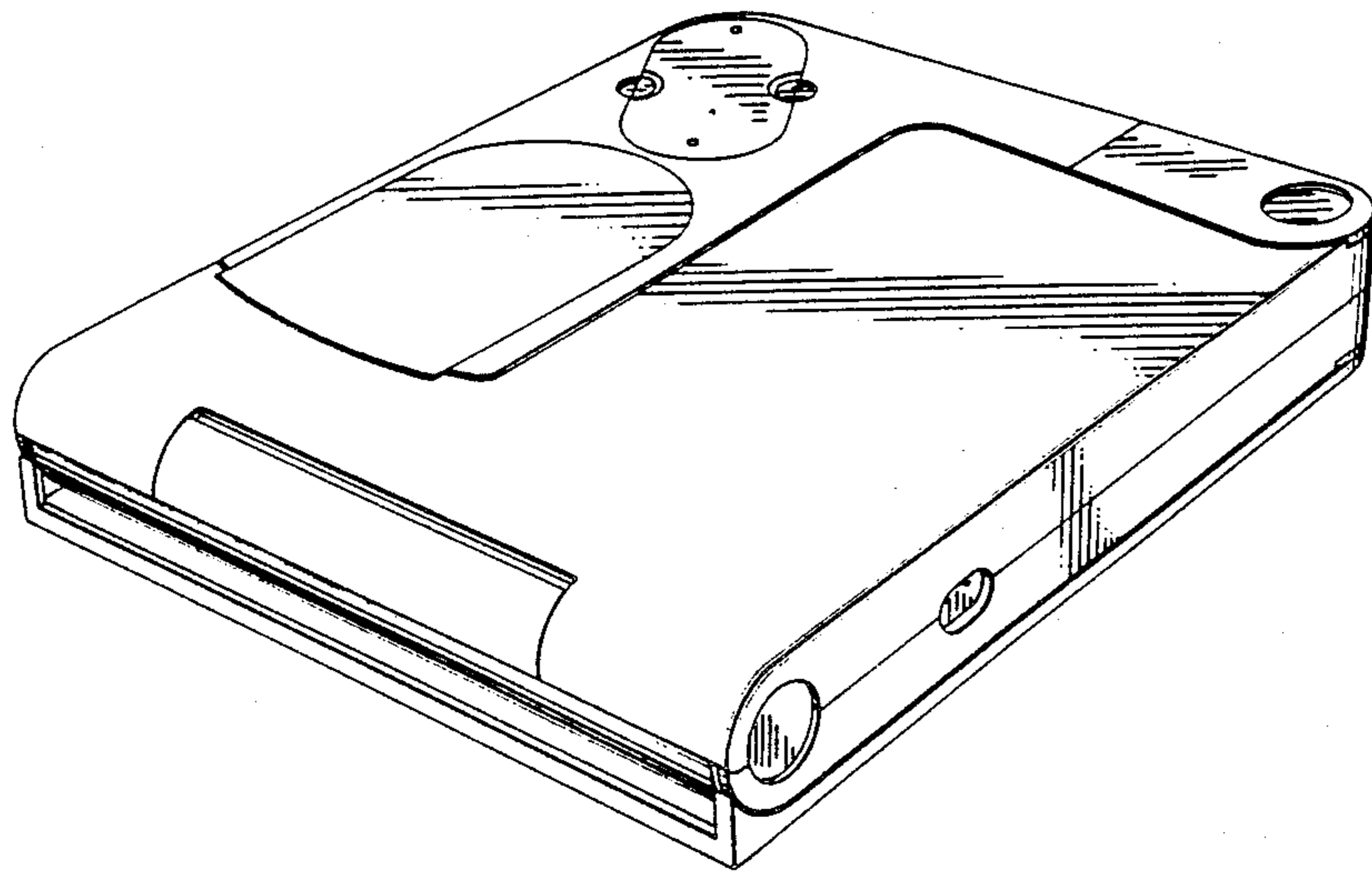


FIG. 6

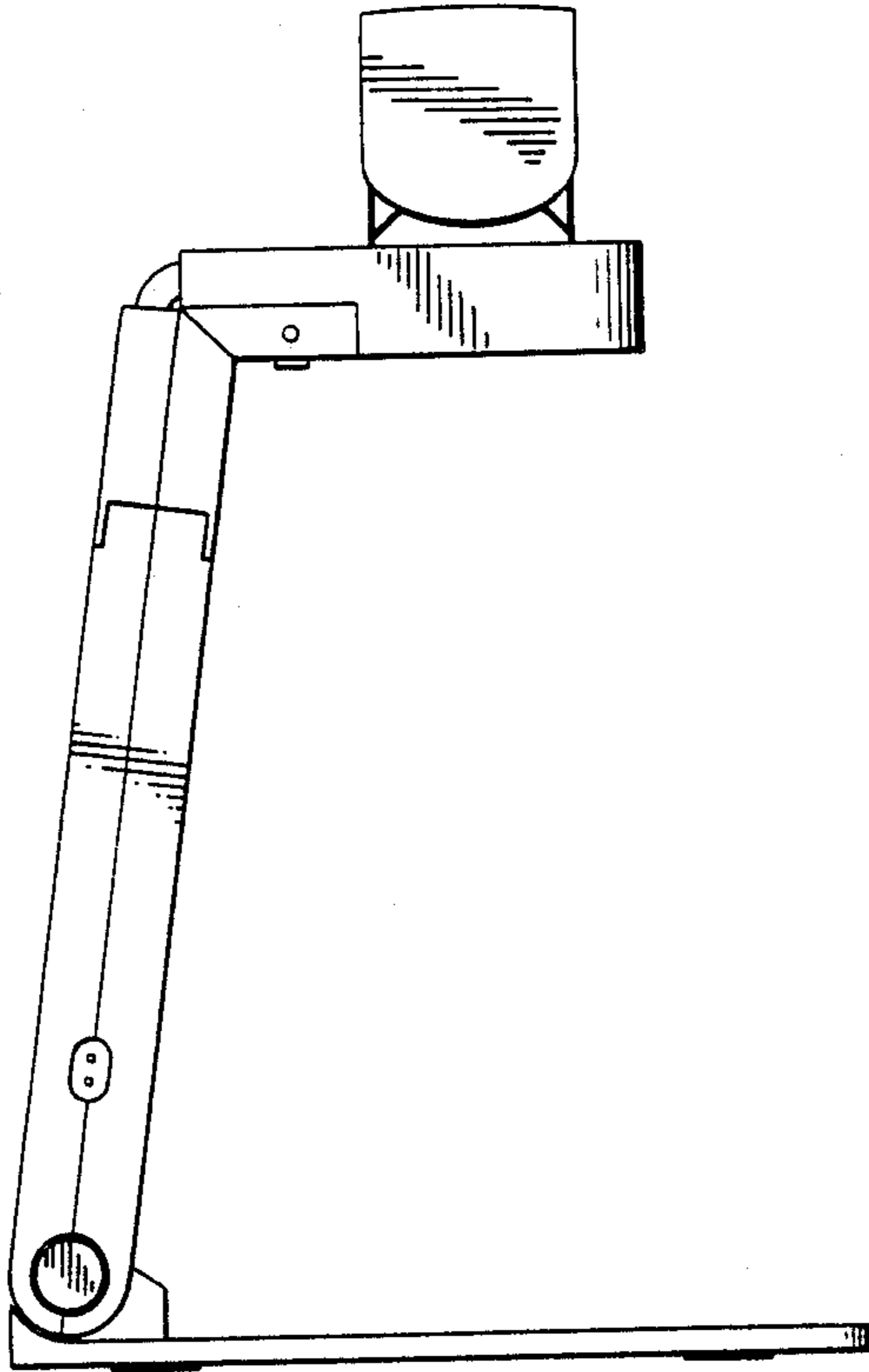


FIG. 7

