

[54] VIDEO CAMERA COMBINED WITH VIDEO TAPE RECORDER

[75] Inventor: Kaoru Sumita, Tokyo, Japan

[73] Assignee: Sony Kabushiki Kaisha, Tokyo, Japan

[\*\*] Term: 14 Years

[21] Appl. No.: 945,452

[22] Filed: Dec. 22, 1986

[30] Foreign Application Priority Data

Jun. 25, 1986 [JP] Japan ..... 61-24591

[52] U.S. Cl. .... D16/202

[58] Field of Search ..... D16/200, 202, 208, 205; 352/34, 242, 243; 354/82, 293; 358/229, 906

[56] References Cited

U.S. PATENT DOCUMENTS

- D. 268,676 4/1983 Ohya ..... D16/202
- D. 282,656 2/1986 Mohri ..... D16/202

- D. 290,120 6/1987 Mohri ..... D16/202
- D. 293,784 1/1988 Miyashita et al. .... D16/202
- 4,692,807 9/1987 Kee ..... 354/82

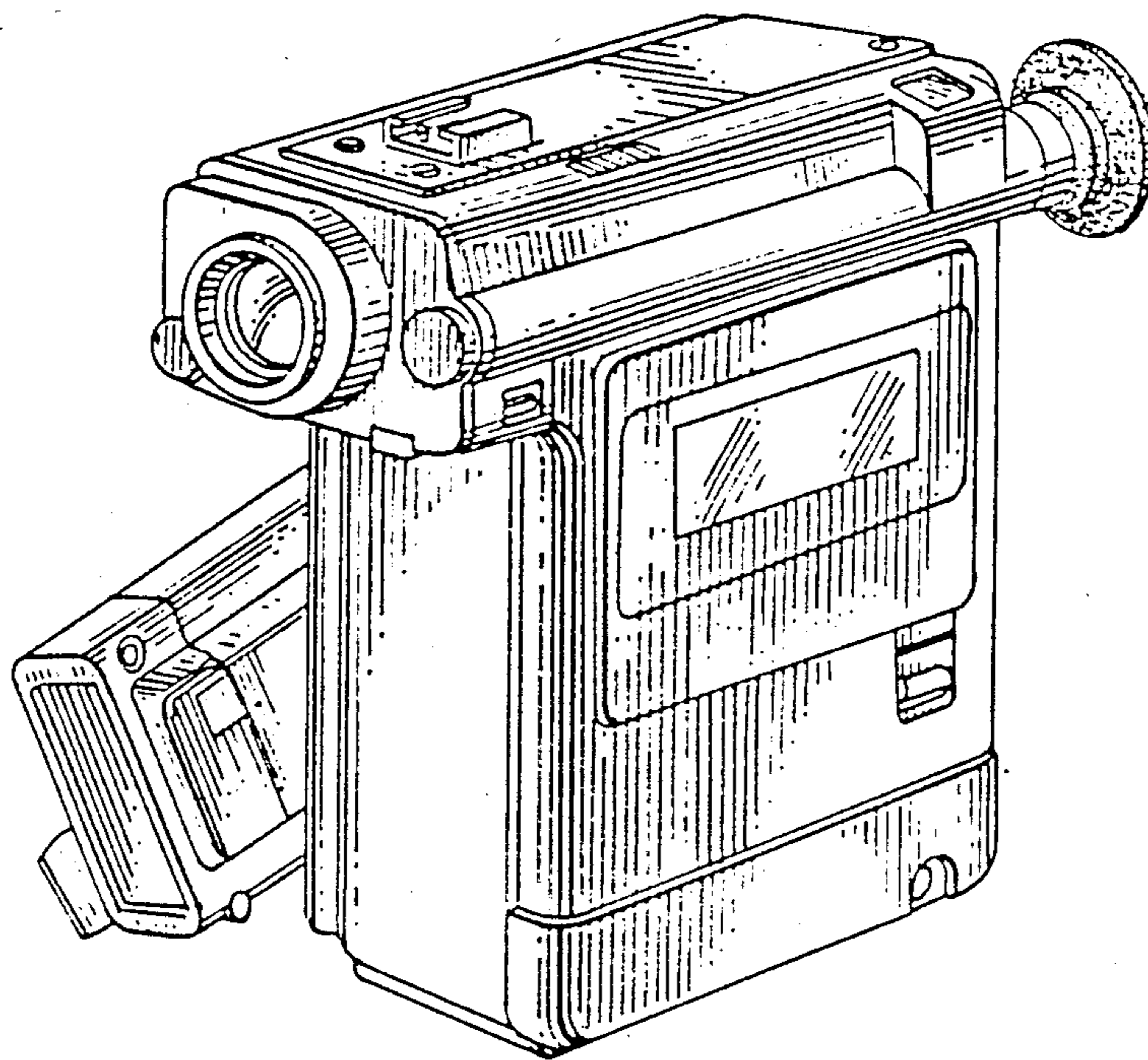
Primary Examiner—Bernard Ansher  
Assistant Examiner—Adir Aronovich  
Attorney, Agent, or Firm—Wyatt, Gerber, Burke and Badie

[57] CLAIM

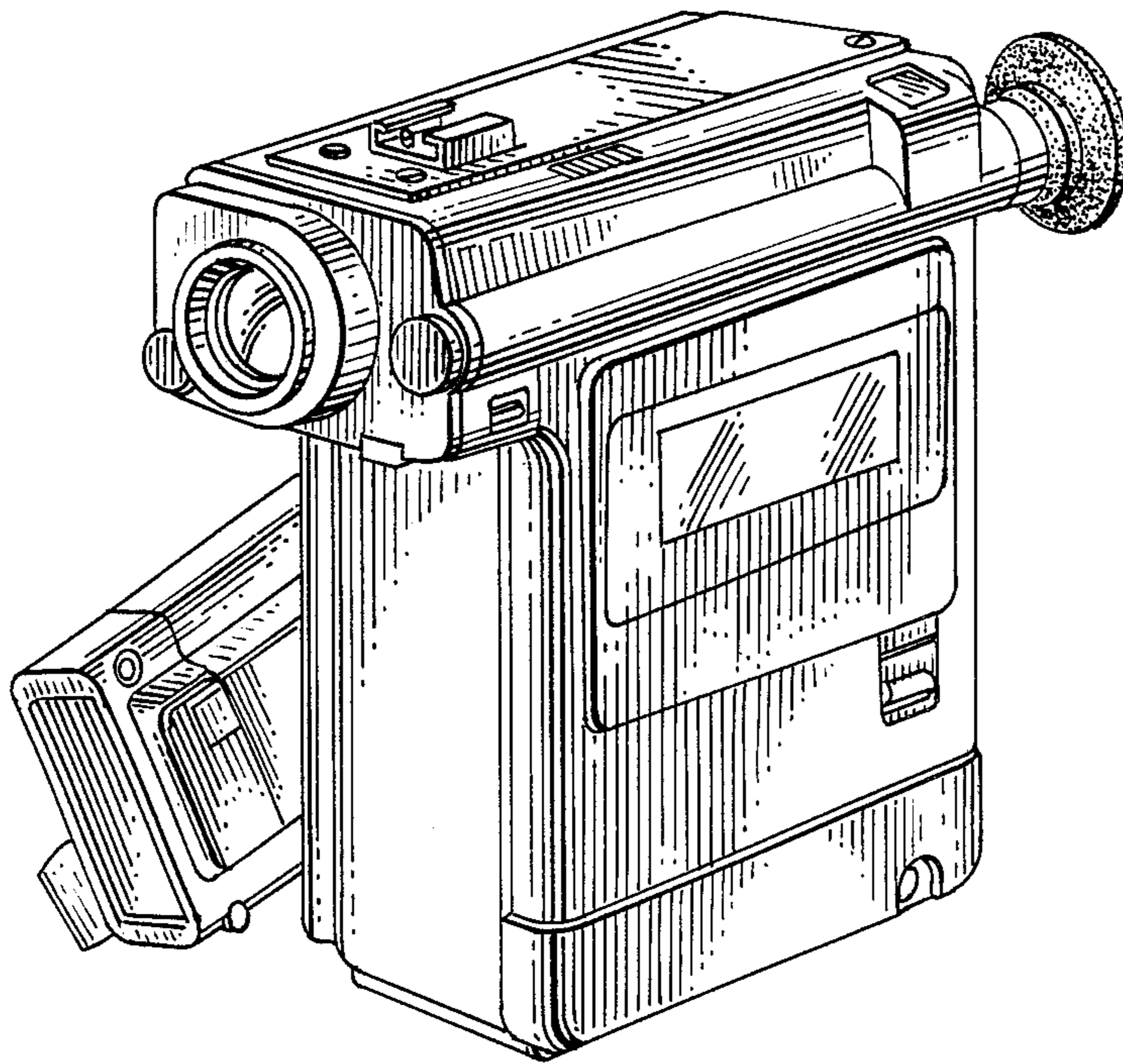
The ornamental design for video camera combined with video tape recorder, as shown and described.

DESCRIPTION

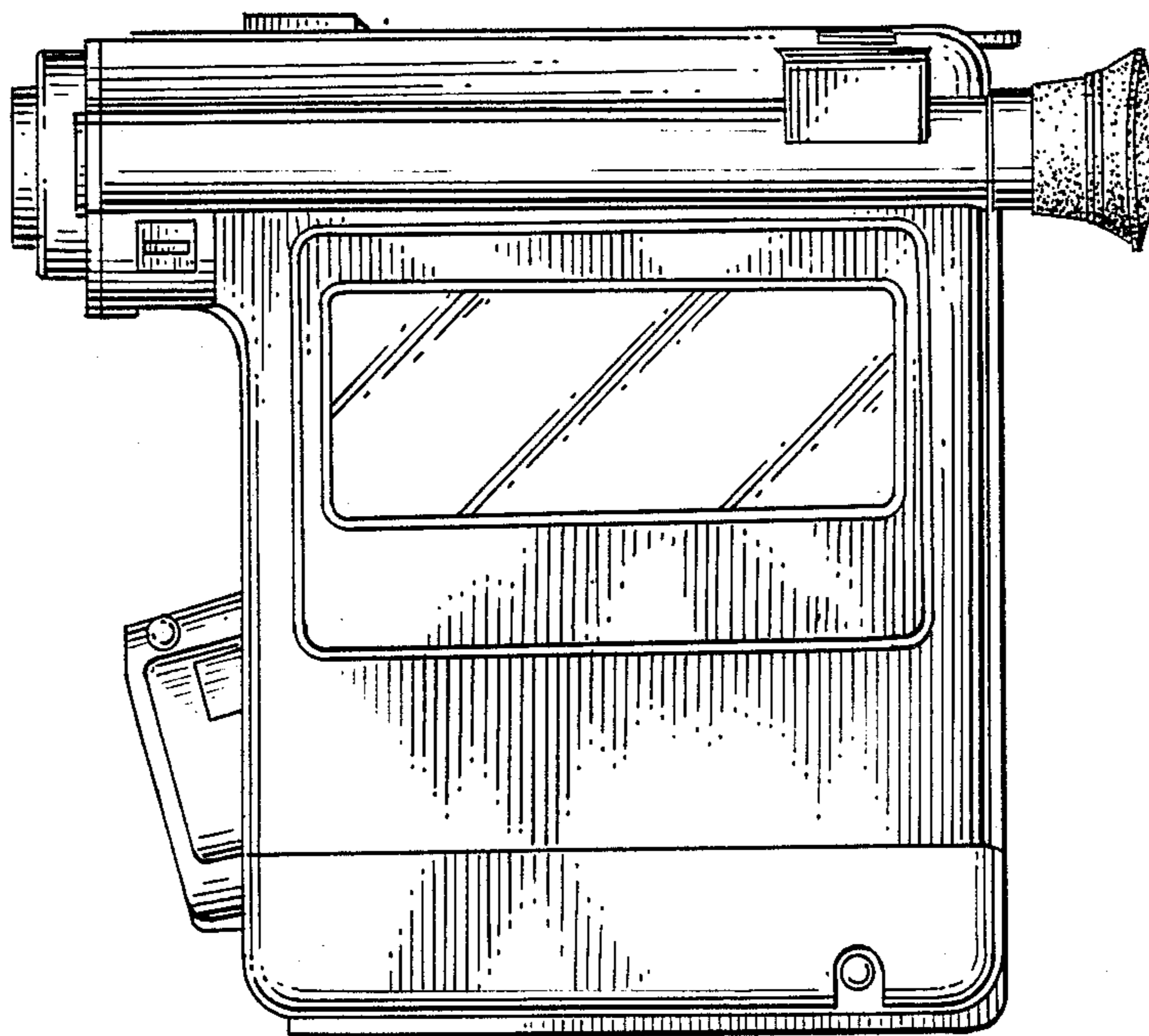
FIG. 1 is a perspective view of a video camera combined with video tape recorder showing my new design; FIG. 2 is a right side elevational view thereof; FIG. 3 is a front elevational view thereof; FIG. 4 is a left side elevational view thereof; FIG. 5 is a rear elevational view thereof; FIG. 6 is a top plan view thereof; and FIG. 7 is a bottom plan view thereof.



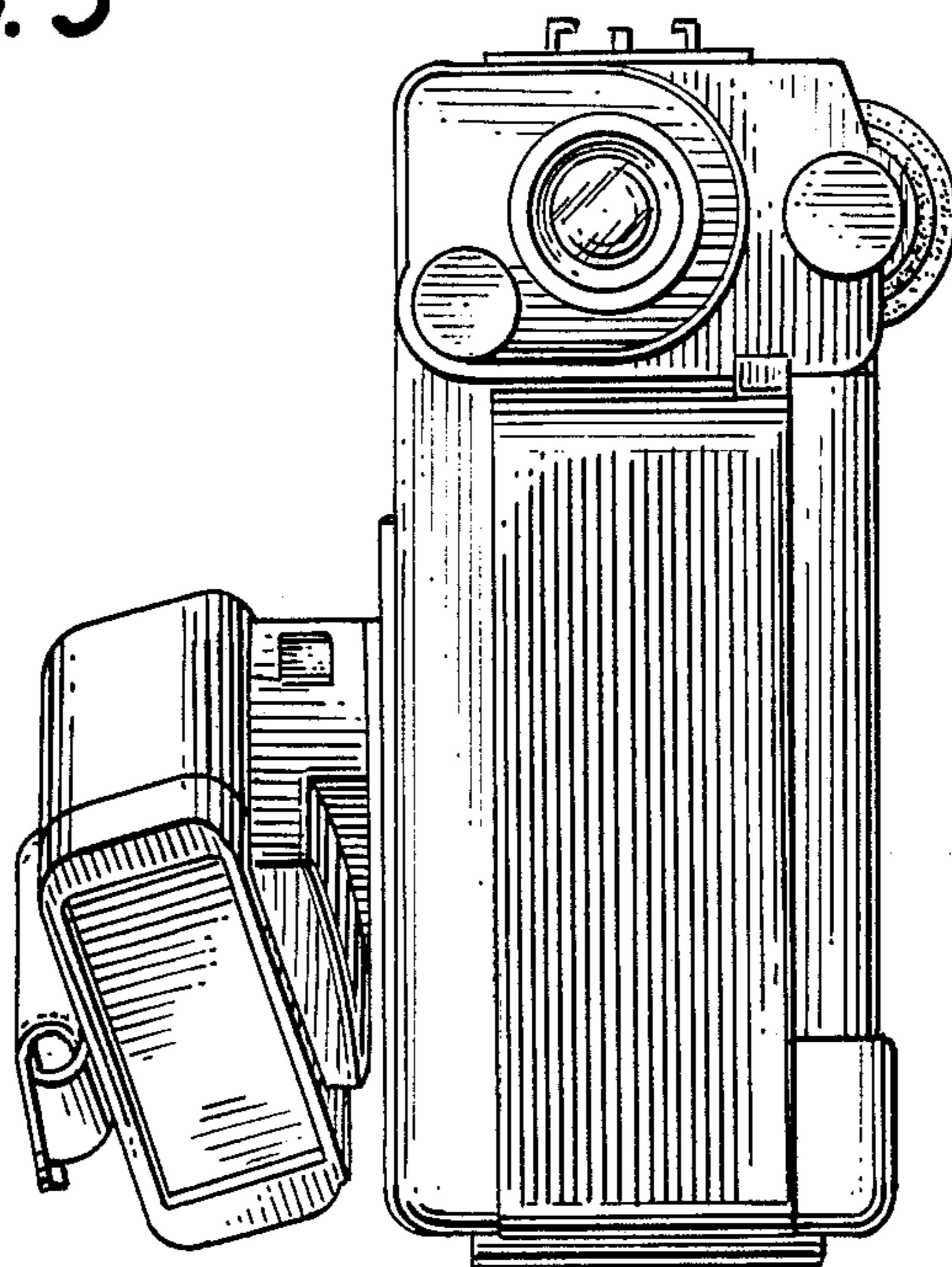
**FIG. 1**



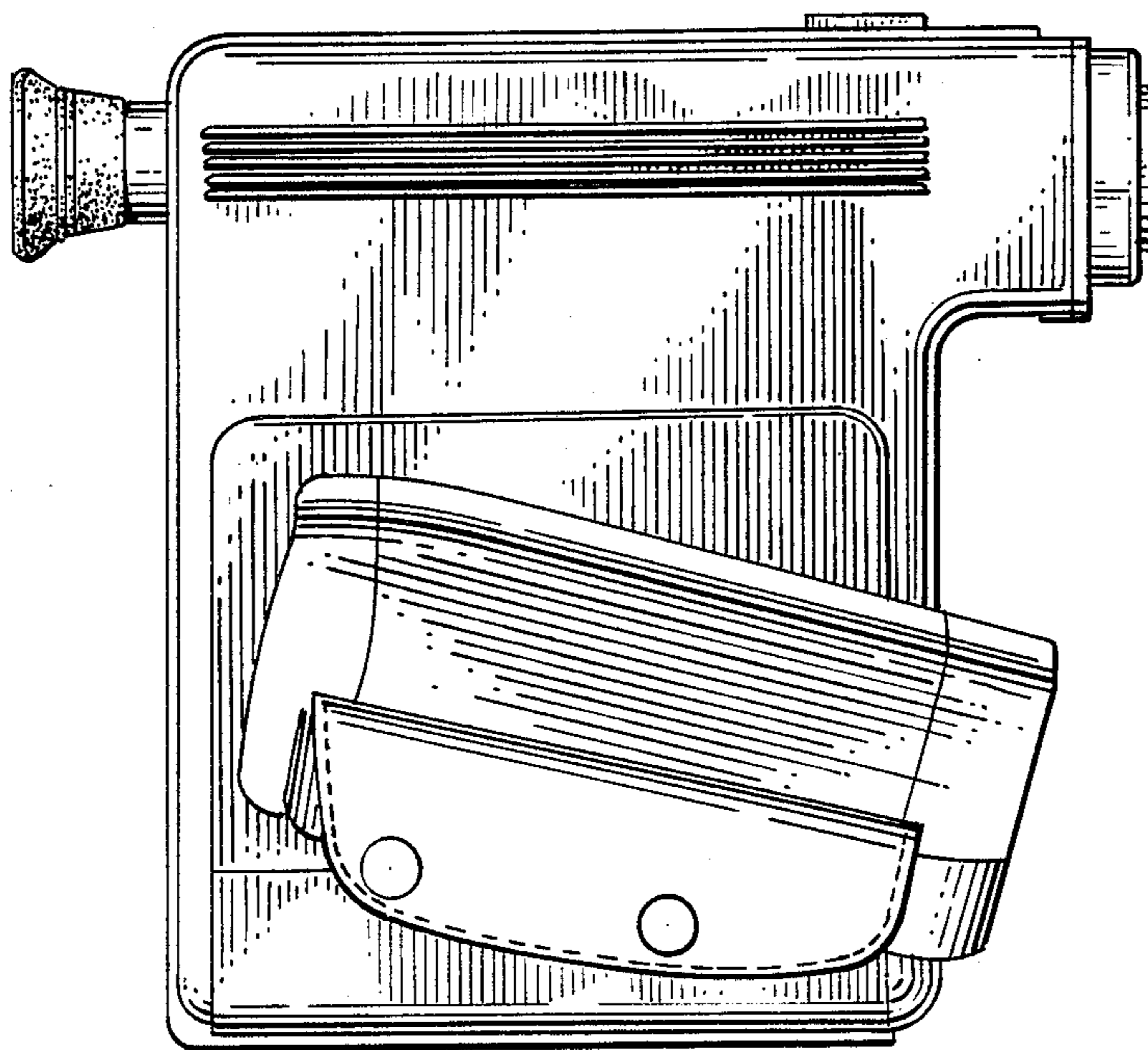
**FIG. 2**



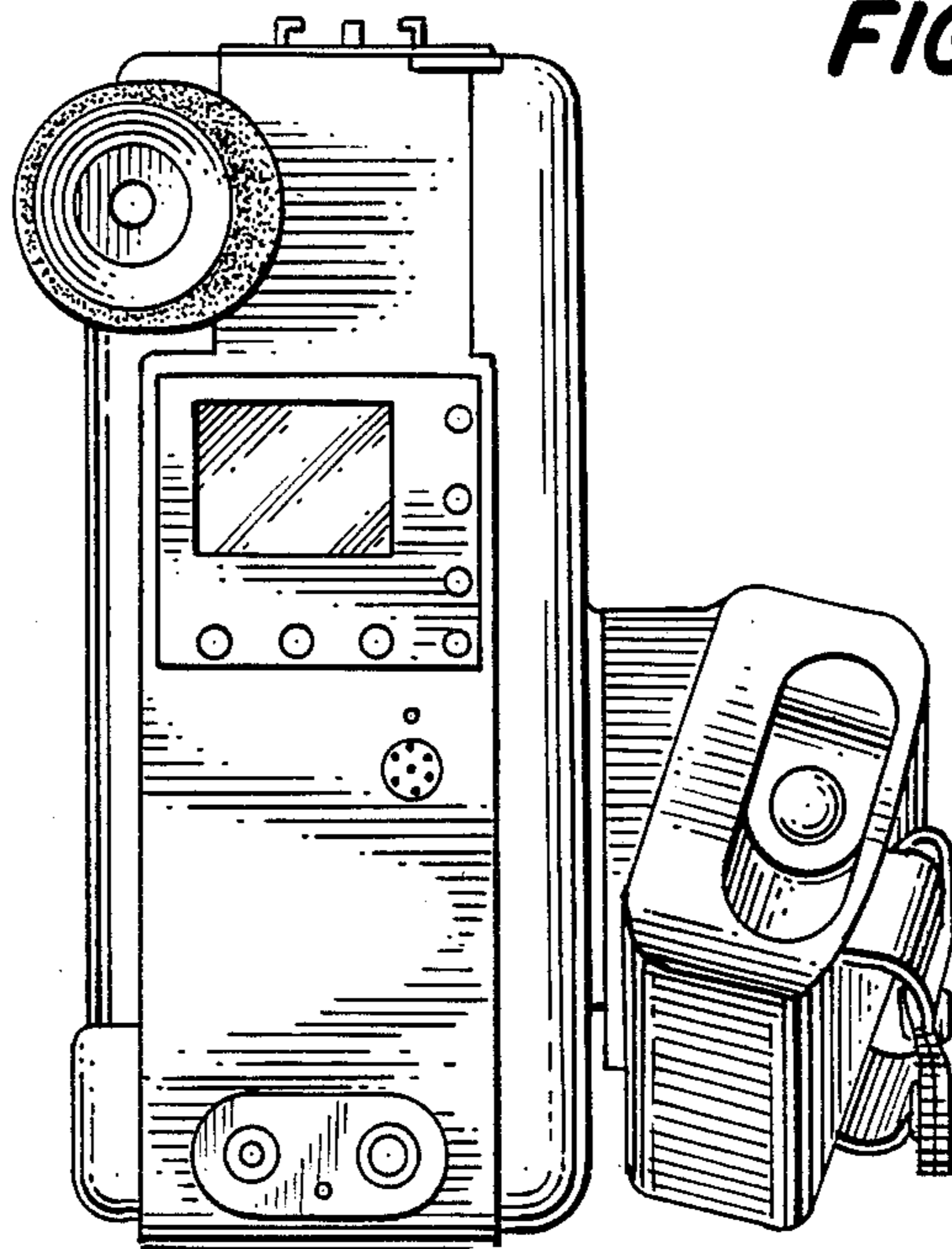
**FIG. 3**



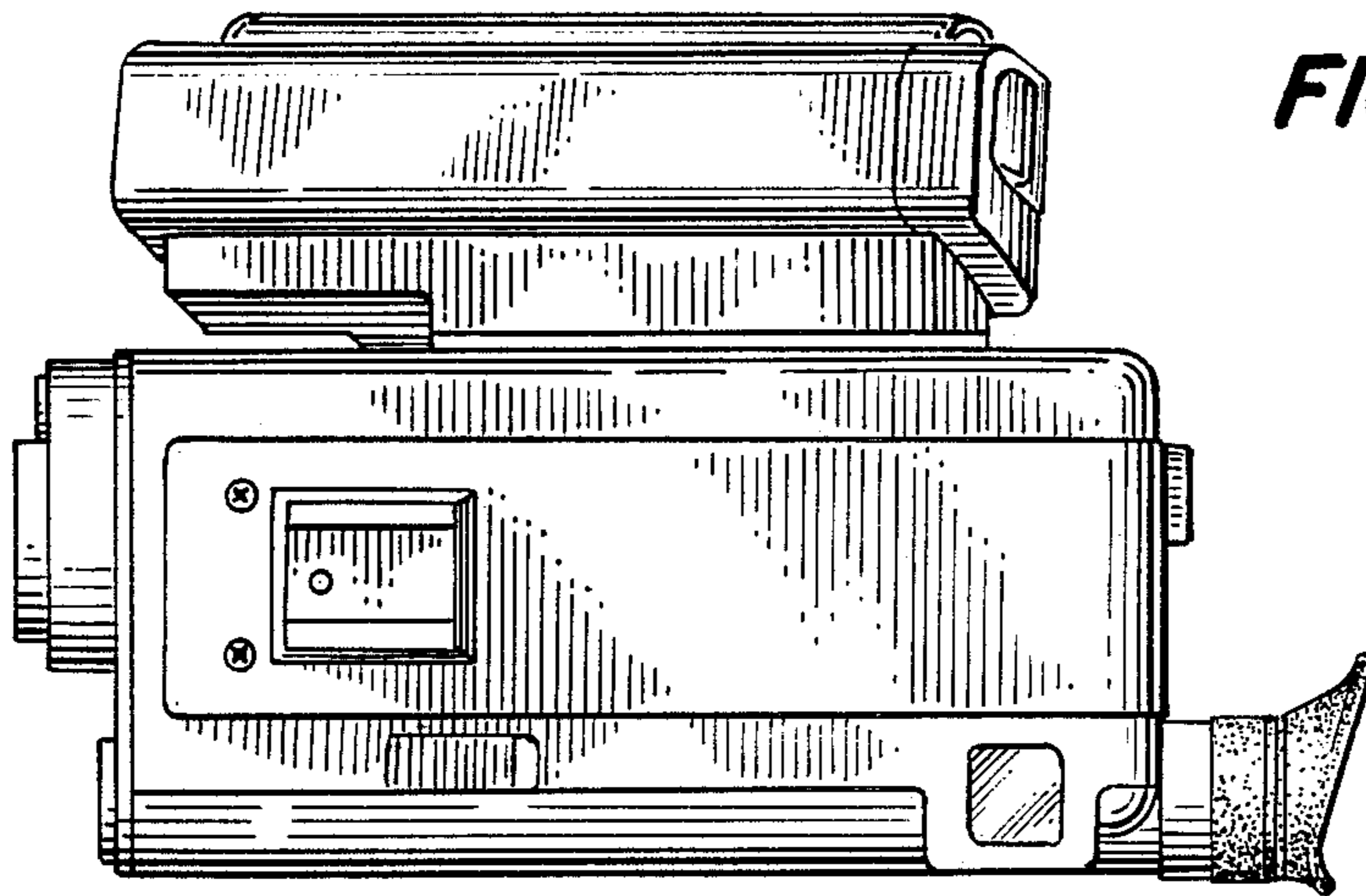
**FIG. 4**



**FIG. 5**



**FIG. 6**



**FIG. 7**

