

[54] OPERA GLASSES

690156 10/1986 Japan .

[75] Inventors: Shoji Wakayama; Akio Akiyama, both of Tokyo, Japan

[73] Assignee: Young Optical Co., Ltd., Tokyo, Japan

[**] Term: 14 Years

[21] Appl. No.: 191,028

[22] Filed: Apr. 28, 1988

[52] U.S. Cl. D16/133

[58] Field of Search D16/133; 350/545, 546, 350/548, 549, 550, 551, 552, 555, 556, 547; 351/481

[56] References Cited

U.S. PATENT DOCUMENTS

D. 106,310 10/1937 Ludovici D16/133

FOREIGN PATENT DOCUMENTS

35-18380 8/1960 Japan .
60-6119 1/1985 Japan .
689579 10/1986 Japan .

OTHER PUBLICATIONS

Selsi Co., Inc. catalog, p. 10, Opera Glasses, No. 205.

Primary Examiner—A. Hugo Word

Assistant Examiner—Doris V. Coles

Attorney, Agent, or Firm—Young & Thompson

[57] CLAIM

The ornamental design for opera glasses, as shown and described.

DESCRIPTION

FIG. 1 is a perspective view of opera glasses showing our new design;

FIG. 2 is a perspective view thereof from the side opposite that shown in FIG. 1;

FIG. 3 is a front elevational view thereof;

FIG. 4 is a rear elevational view thereof;

FIG. 5 is an end elevational view thereof from the left of FIG. 4, the opposite end elevational view being the mirror image thereof; and

FIG. 6 is a top plan view thereof, the bottom plan view thereof being identical.

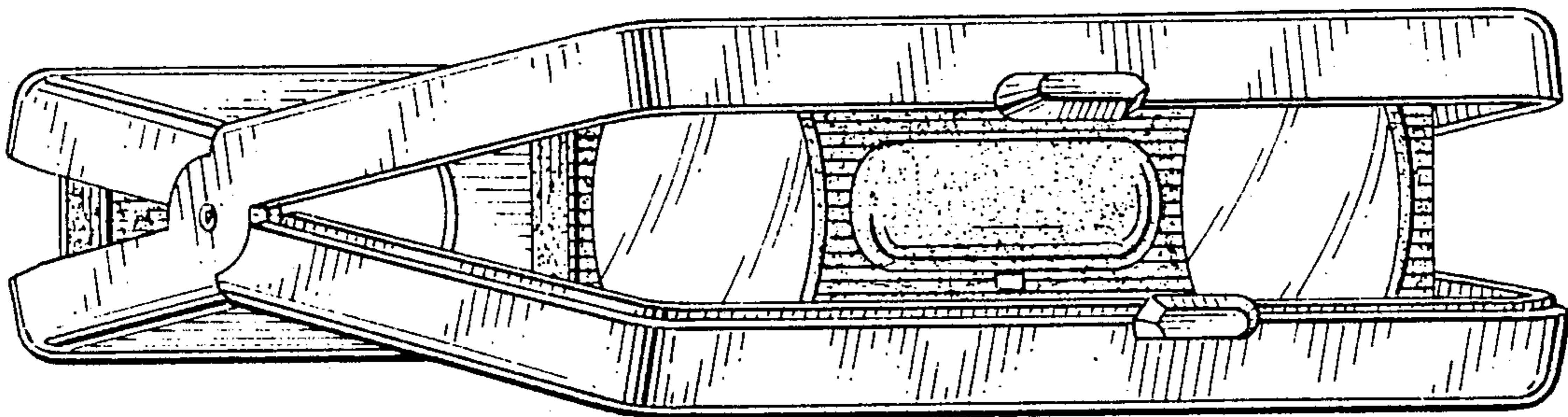


FIG. 1

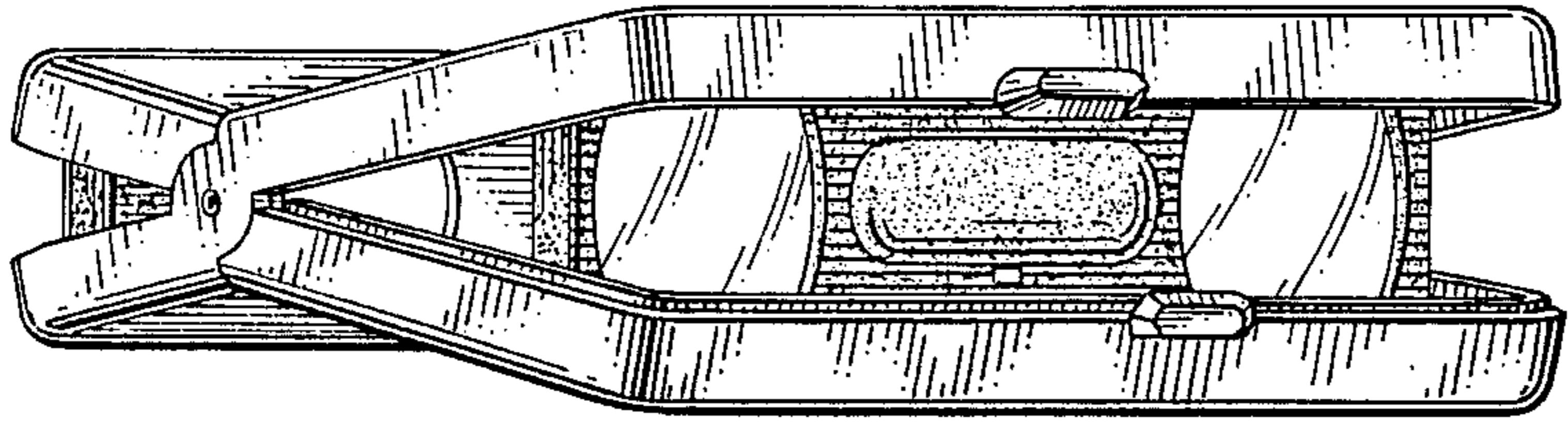


FIG. 2

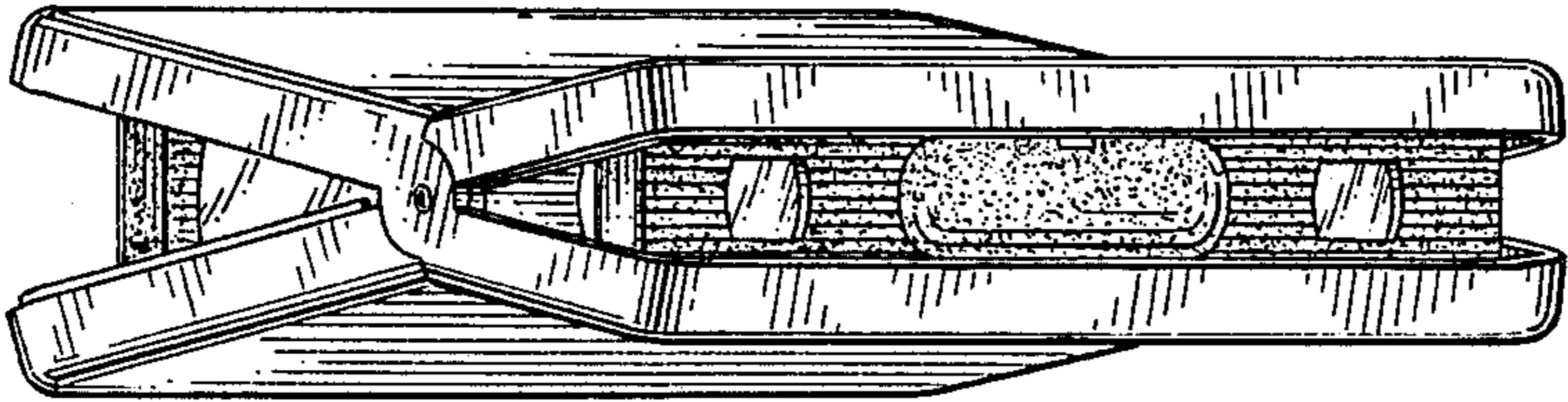


FIG. 3

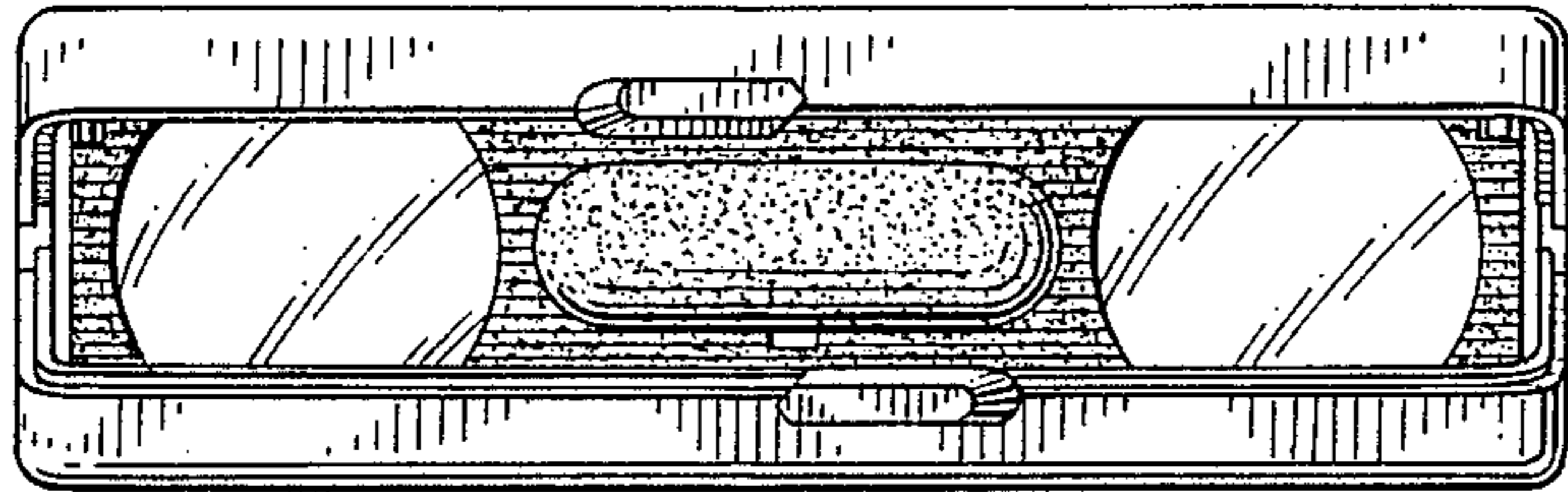


FIG. 4

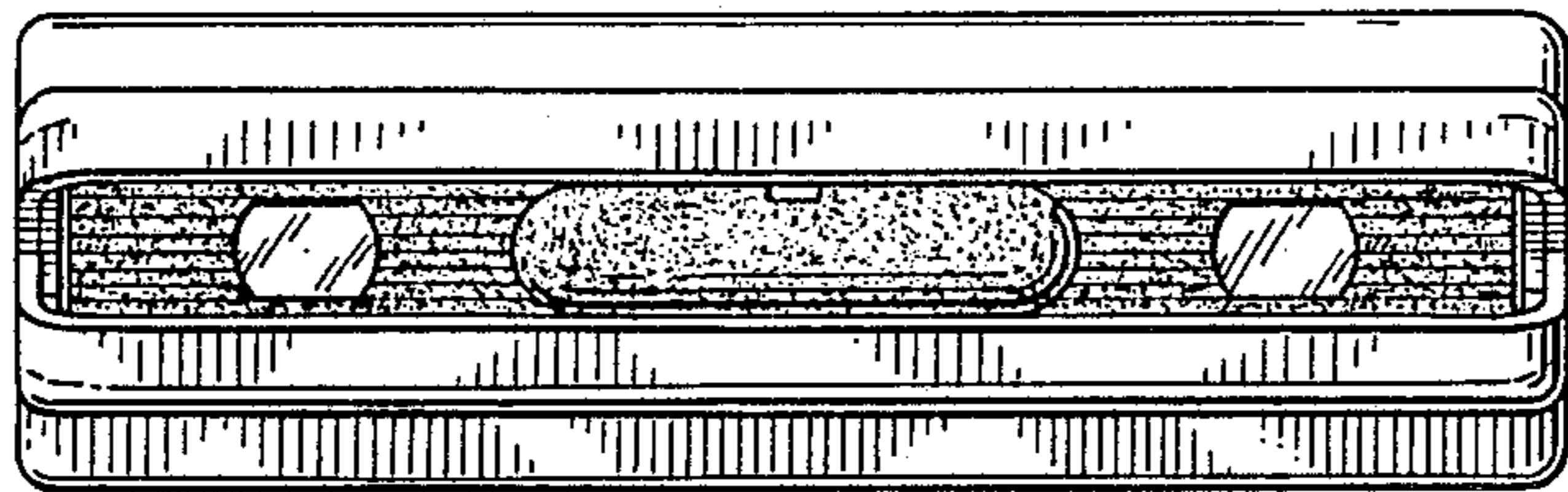


FIG. 5

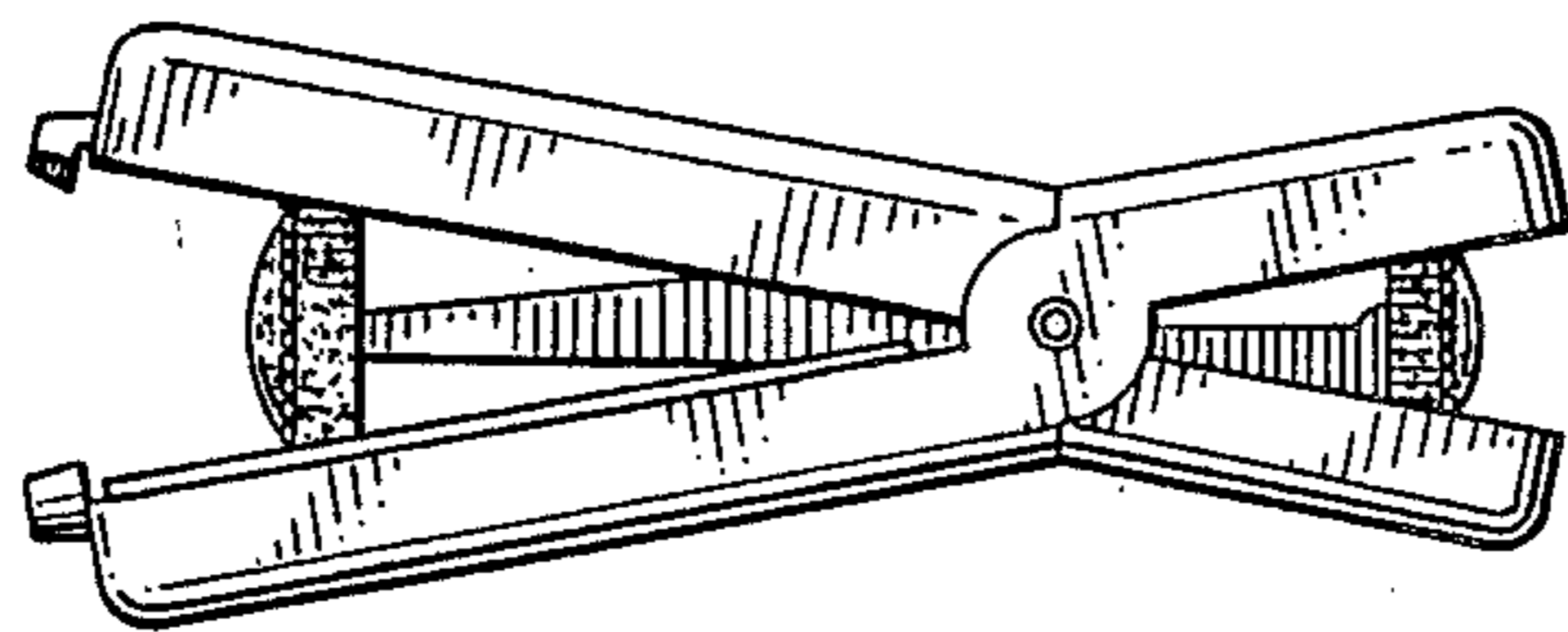


FIG. 6

