

United States Patent [19]

Fasth

[11] Patent Number: **Des. 305,899**

[45] Date of Patent: **** Feb. 6, 1990**

[54] **FRAME MEMBER FOR AN INDUSTRIAL PLATFORM**

[75] Inventor: **Kenneth Fasth, Halmstad, Sweden**

[73] Assignee: **Aktiebolaget Parts Invent, Halmstad, Sweden**

[**] Term: **14 Years**

[21] Appl. No.: **24,336**

[22] Filed: **Mar. 10, 1987**

[30] **Foreign Application Priority Data**

Sep. 12, 1986 [SE] Sweden 86 2092

[52] U.S. Cl. **D15/141; D25/122**

[58] Field of Search **D25/122, 123, 124, 125, D25/106, 119; D15/141; 248/676, 570**

[56] **References Cited**

U.S. PATENT DOCUMENTS

D. 243,677 3/1977 Dallaire D25/124

D. 243,679 3/1977 Dallaire D25/124

D. 290,404 6/1987 Stoler D25/119
3,451,183 6/1969 Lespagnol et al. D25/119 X
3,475,870 11/1969 Birum D25/122 X
4,585,131 4/1986 Crossman et al. D25/123 X

OTHER PUBLICATIONS

Silkie Display Systems Inc. brochure, p. 1, item 26, Extrusion.

Primary Examiner—Nelson C. Holtje

Assistant Examiner—Jeffrey Asch

Attorney, Agent, or Firm—Dalsimer, Sullivan, Kurucz, Levy, Eisele and Richard

[57] **CLAIM**

The ornamental design for a frame member for an industrial platform, as shown and described.

DESCRIPTION

FIG. 1 is a front, top, and right side perspective view of a frame member for an industrial platform showing my new design; and

FIG. 2 is a rear, bottom, and left side perspective view thereof.

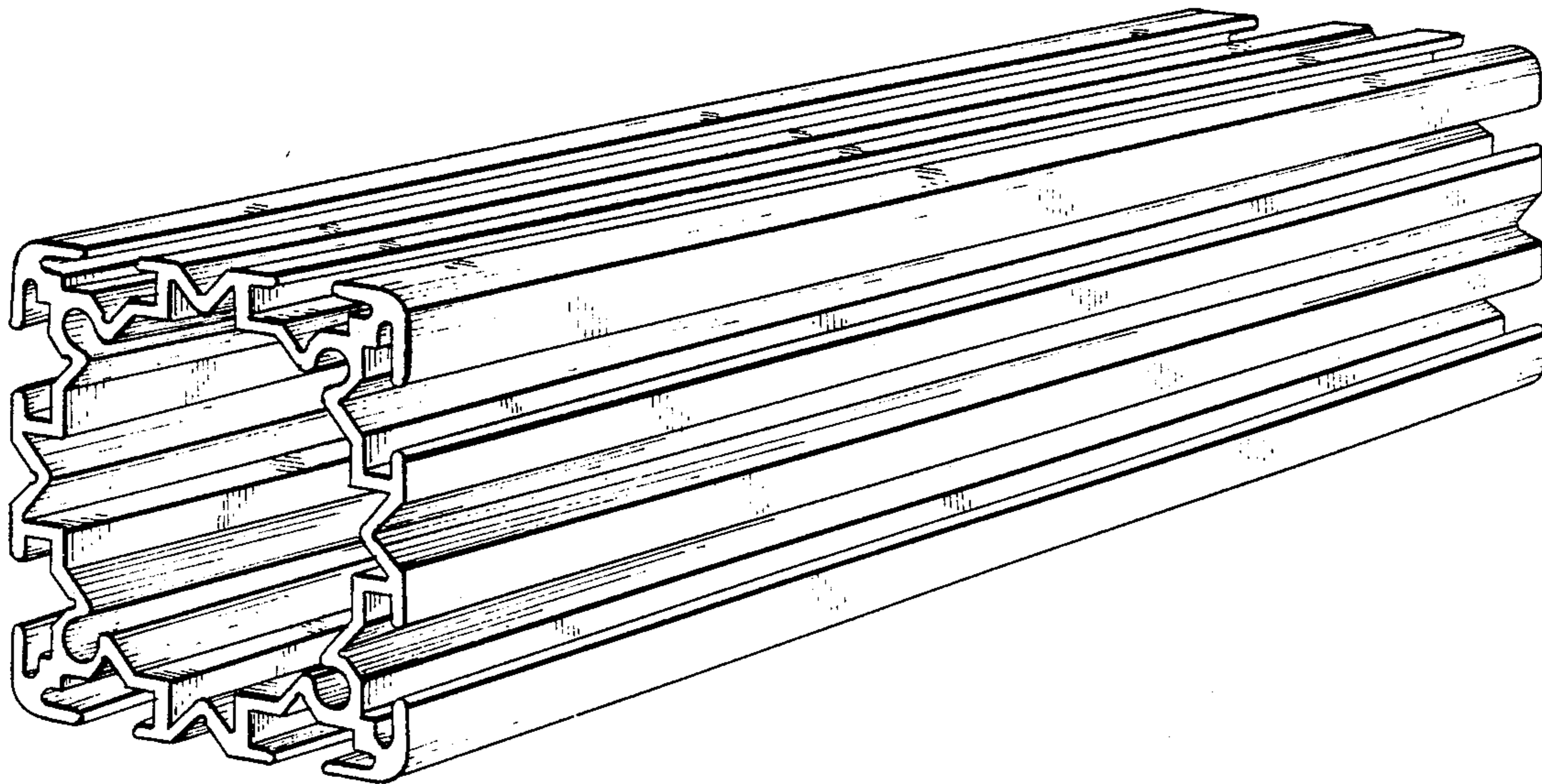


FIG. 1

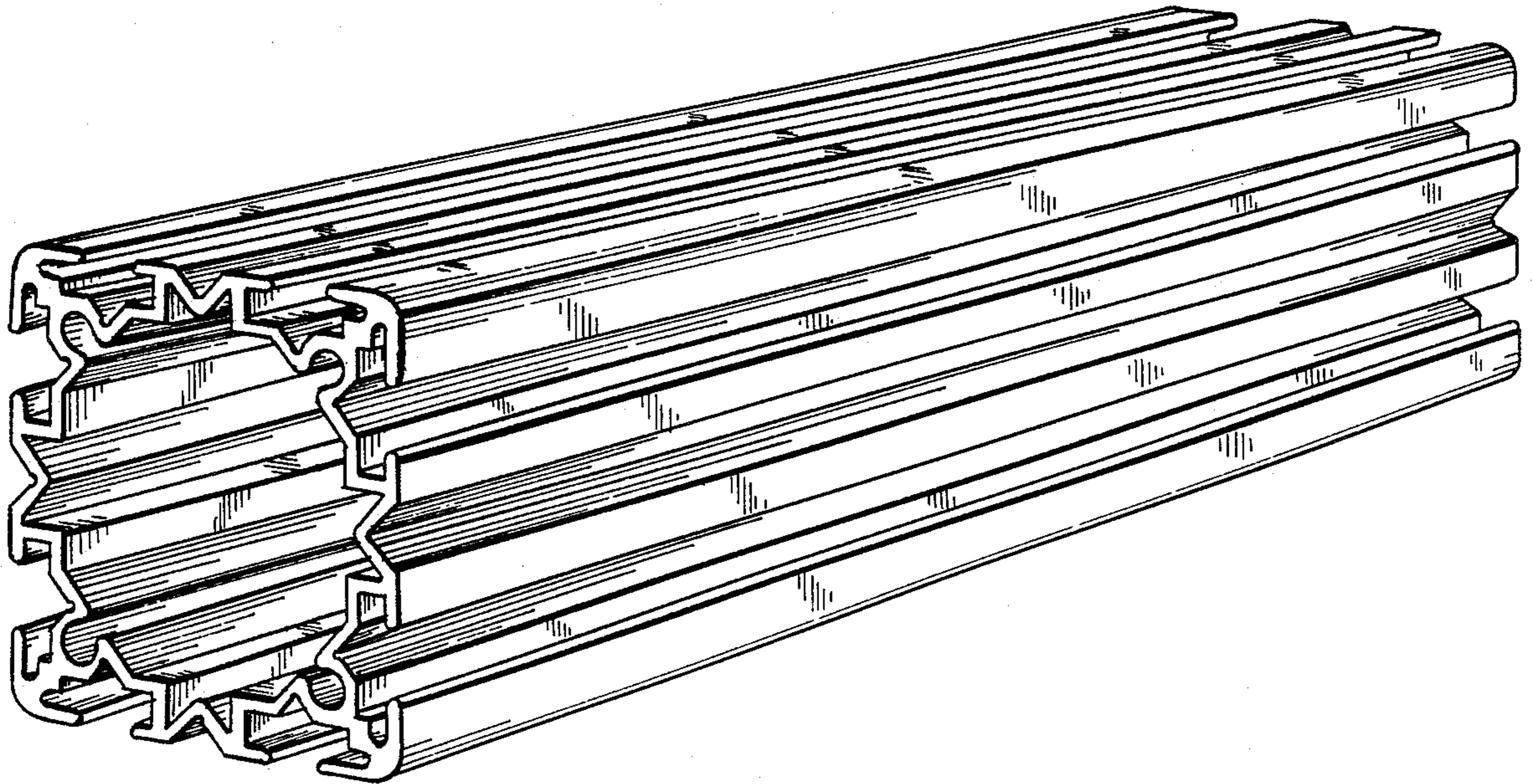


FIG. 2

