

[54] CUTTER CHAIN LINK AND TOOL HOLDER COMBINATION UNIT

[75] Inventors: John B. Whitaker, Jr., Wetumpka; Rama N. Bail, Montgomery, both of Ala.

[73] Assignee: Kershaw Manufacturing Company, Inc., Montgomery, Ala.

[**] Term: 14 Years

[21] Appl. No.: 877,686

[22] Filed: Jun. 23, 1986

[52] U.S. Cl. D15/138

[58] Field of Search D15/138; 171/16; 37/104, 105

[56] References Cited

U.S. PATENT DOCUMENTS

2,702,951	3/1955	Talboys	37/104
3,427,990	2/1969	Bryan	37/104
4,014,389	3/1977	Theurer et al.	171/16

Primary Examiner—Nelson C. Holtje
Assistant Examiner—Jeffrey Asch
Attorney, Agent, or Firm—Jennings, Carter, Thompson & Veal

[57] CLAIM

The ornamental design for a cutter chain link and tool holder combination unit, as shown and described.

DESCRIPTION

FIG. 1 is a top perspective view of a cutter chain link and tool holder combination showing our design, cutter tools being shown therein in broken lines for illustrative purposes only;
FIG. 2 is a front elevational view;
FIG. 3 is a rear elevational view;
FIG. 4 is a top plan view;
FIG. 5 is a bottom plan view;
FIG. 6 is an end elevational view taken from the left of FIG. 4; and
FIG. 7 is an end elevational view taken from the right of FIG. 4.

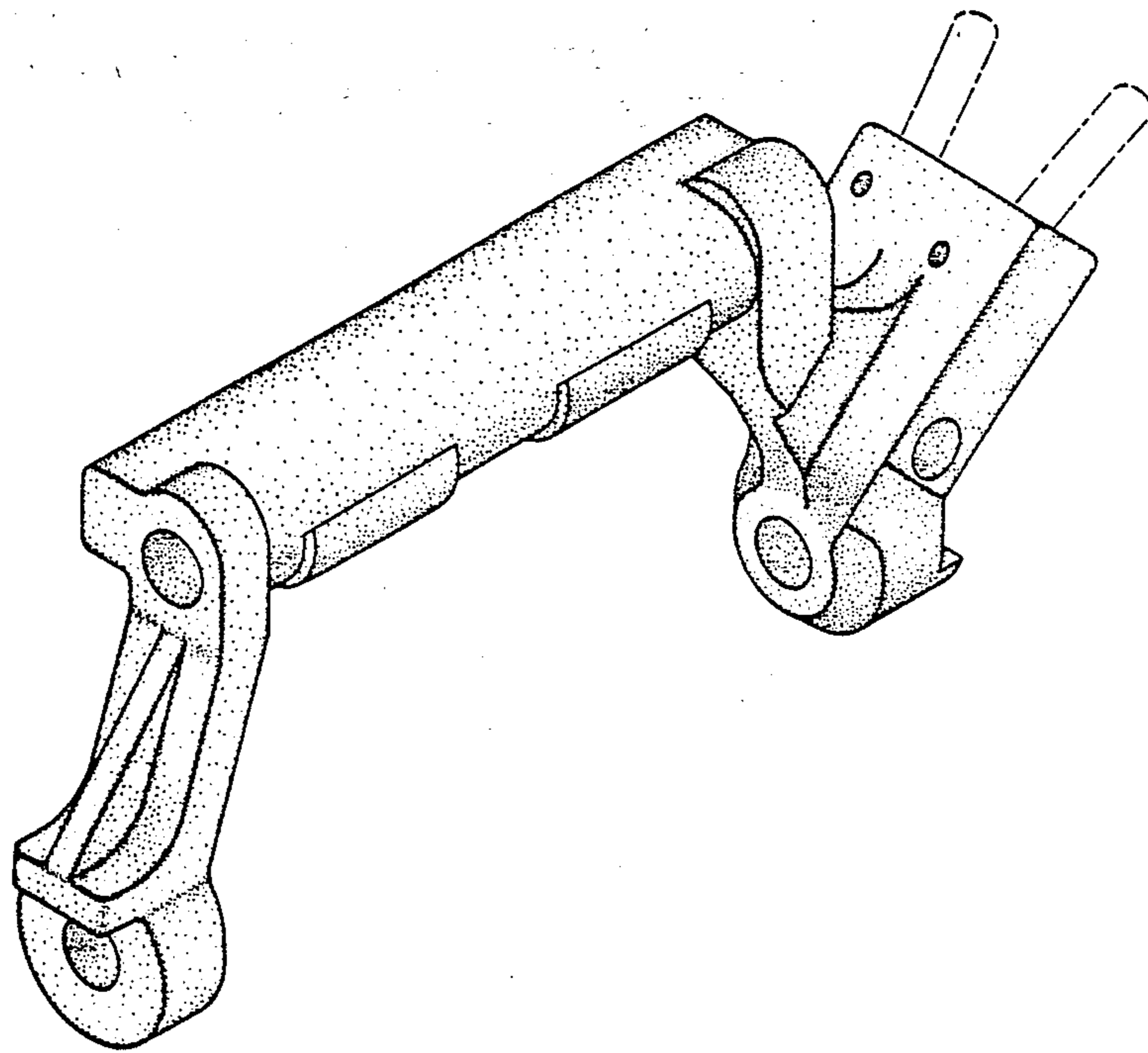


Fig. 1

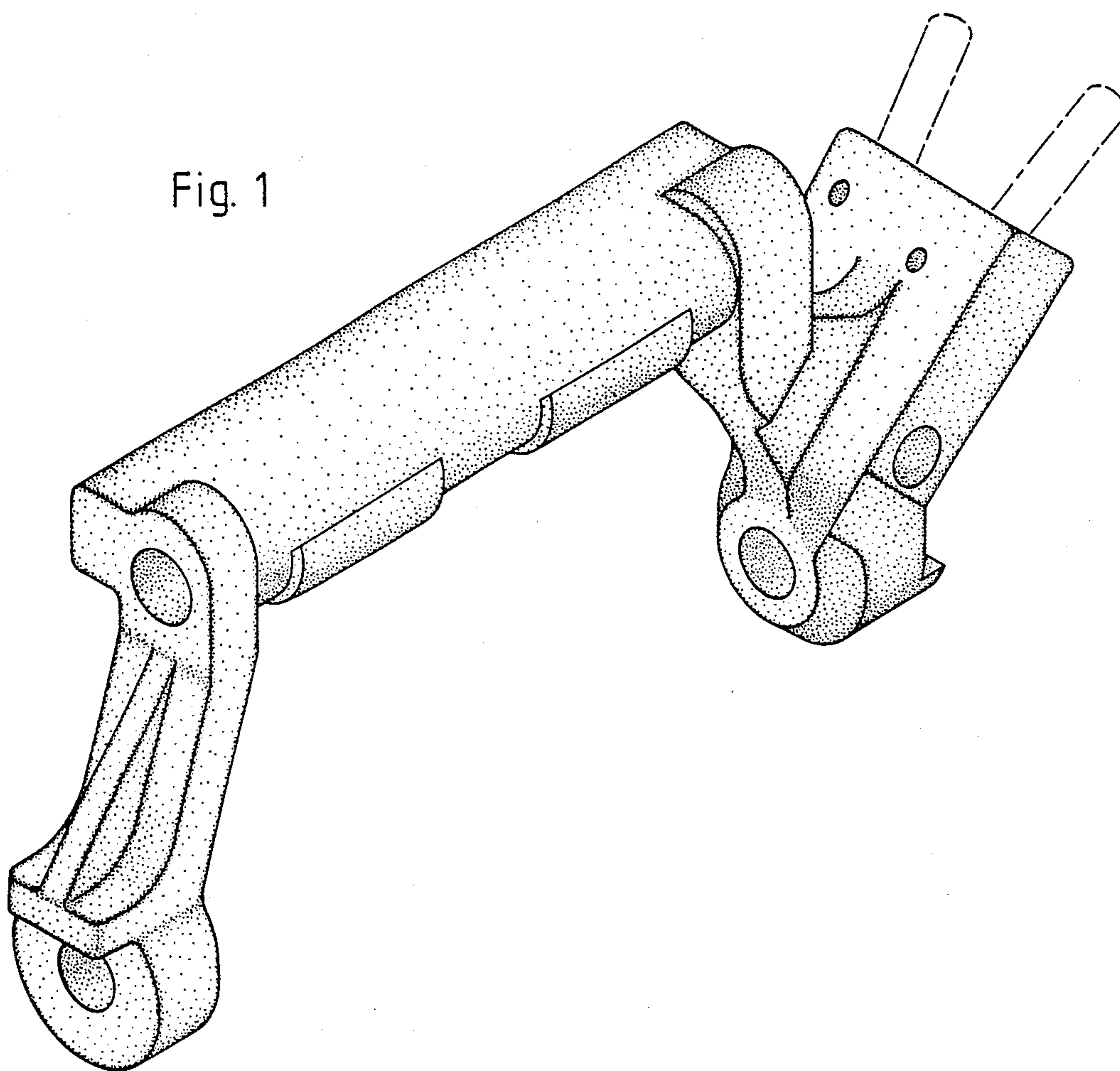


Fig. 2

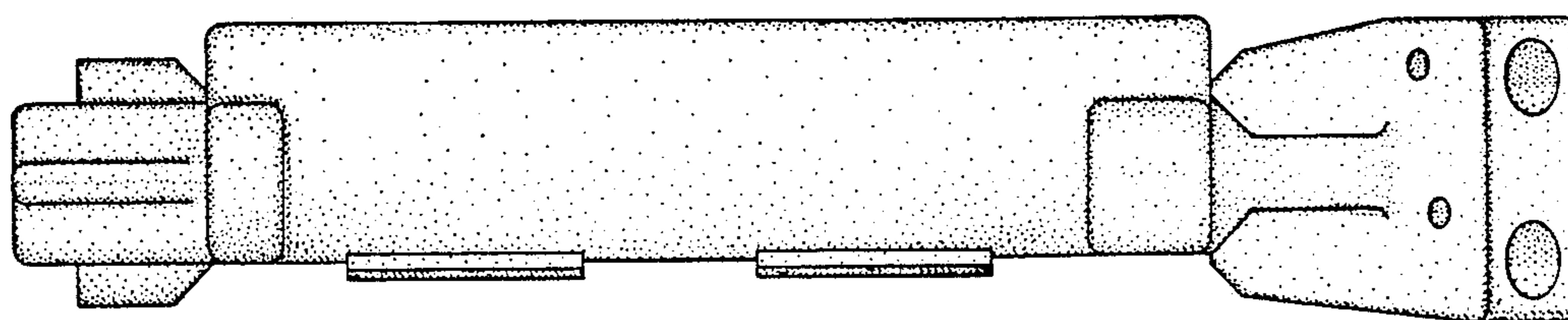


Fig. 3

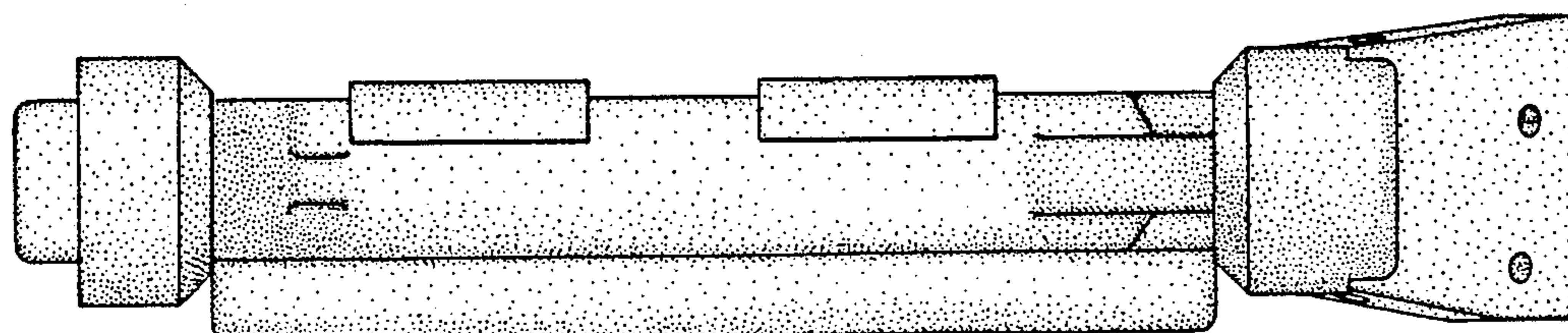


Fig. 4

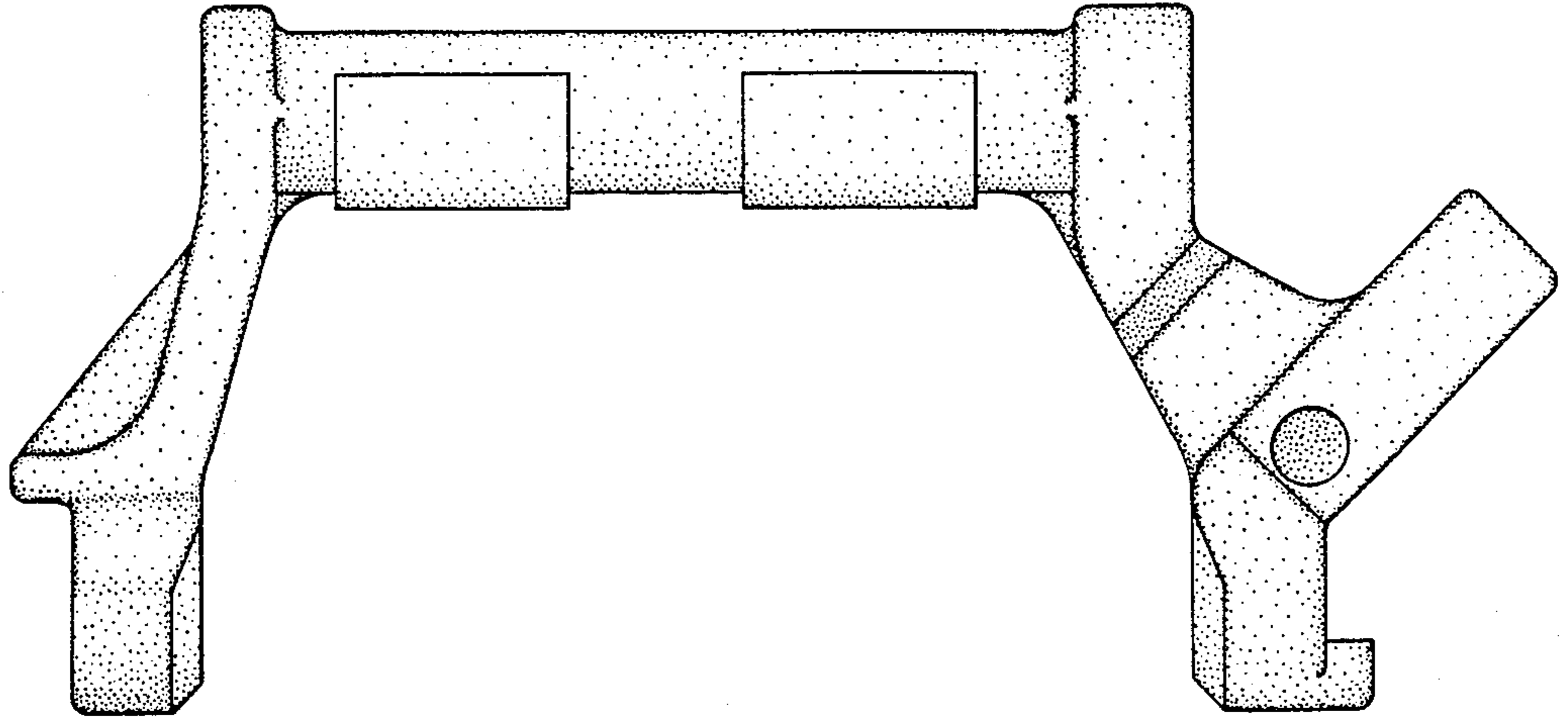


Fig. 5

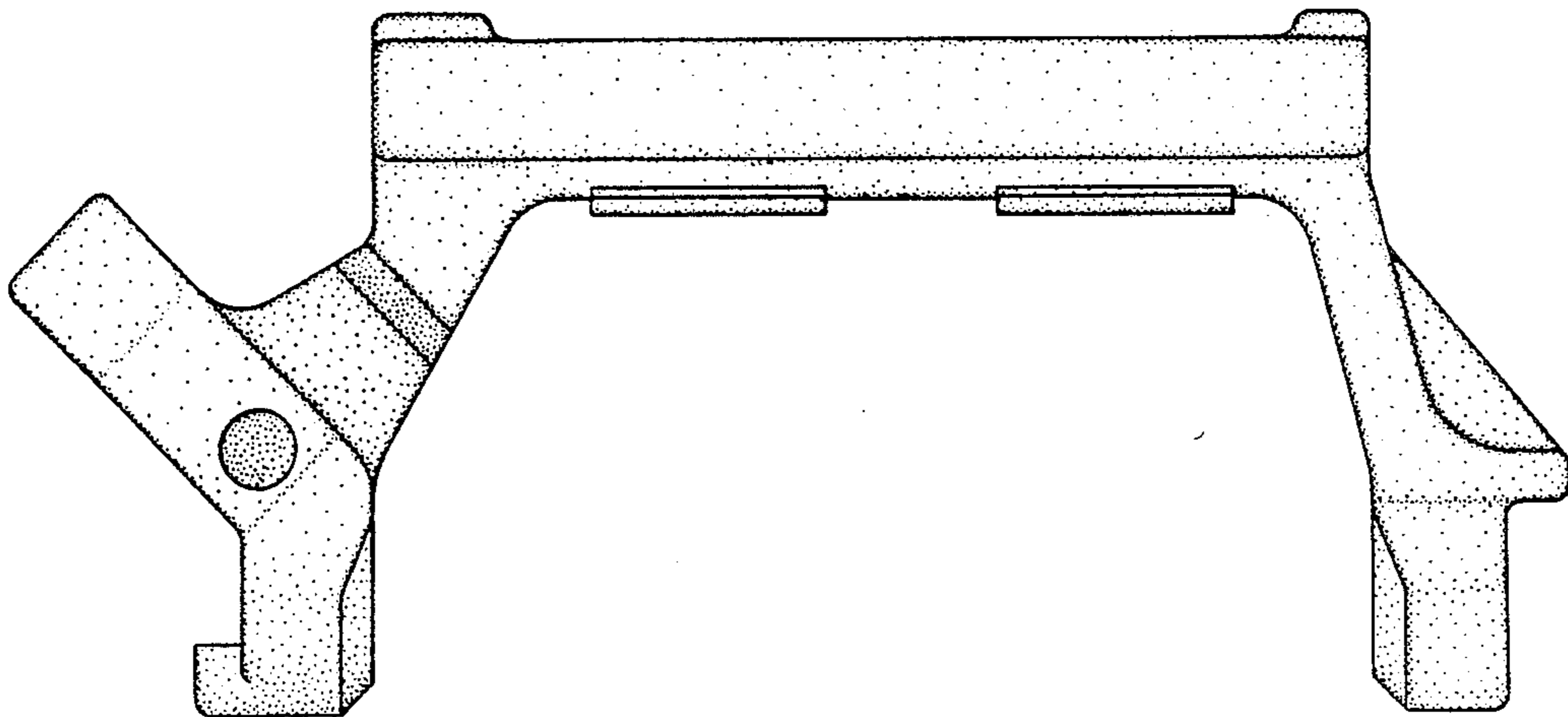


Fig. 6

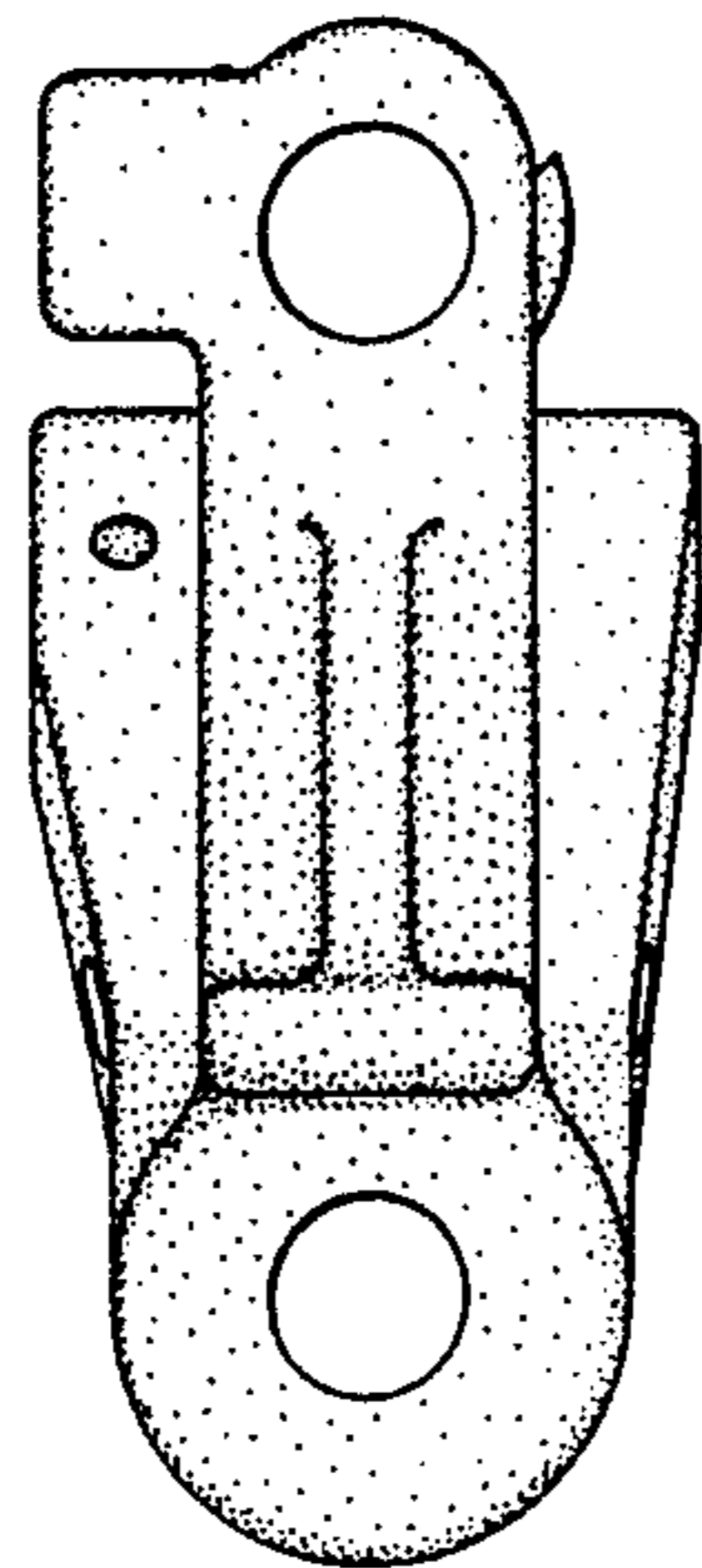


Fig. 7

