

[54] TABLE SAW STOCK FEEDER

[75] Inventor: Gordon E. Snoeyenbos, Decatur, Ill.

[73] Assignee: Vega Enterprises, Inc., Decatur, Ill.

[**] Term: 14 Years

[21] Appl. No.: 62,041

[22] Filed: Jun. 11, 1987

[52] U.S. Cl. D15/133

[58] Field of Search D15/133, 127; 83/441.1, 83/437, 421, 425; 144/242 B

4,485,711 12/1984 Schnell 83/425
4,603,612 8/1986 Atkins 83/425
4,693,158 9/1987 Price D15/133 X

Primary Examiner—James R. Largen
Assistant Examiner—Jeffrey Asch
Attorney, Agent, or Firm—Samuels, Miller, Schroeder,
Jackson & Sly

[57] CLAIM

The ornamental design for a table saw stock feeder, as shown.

DESCRIPTION

FIG. 1 is a perspective view of a table saw stock feeder showing my new design;
FIG. 2 is a front elevational view;
FIG. 3 is a top plan view;
FIG. 4 is a right side elevational view;
FIG. 5 is a rear elevational view;
FIG. 6 is a left side elevational view; and
FIG. 7 is a bottom plan view thereof.

[56] References Cited

U.S. PATENT DOCUMENTS

D. 267,095	11/1982	Cook	D15/133
703,749	7/1902	Stimpson	144/253 R
2,696,852	12/1954	Dunton	143/51
2,985,202	5/1961	Wilson	143/51
4,026,173	5/1977	Livick	83/421

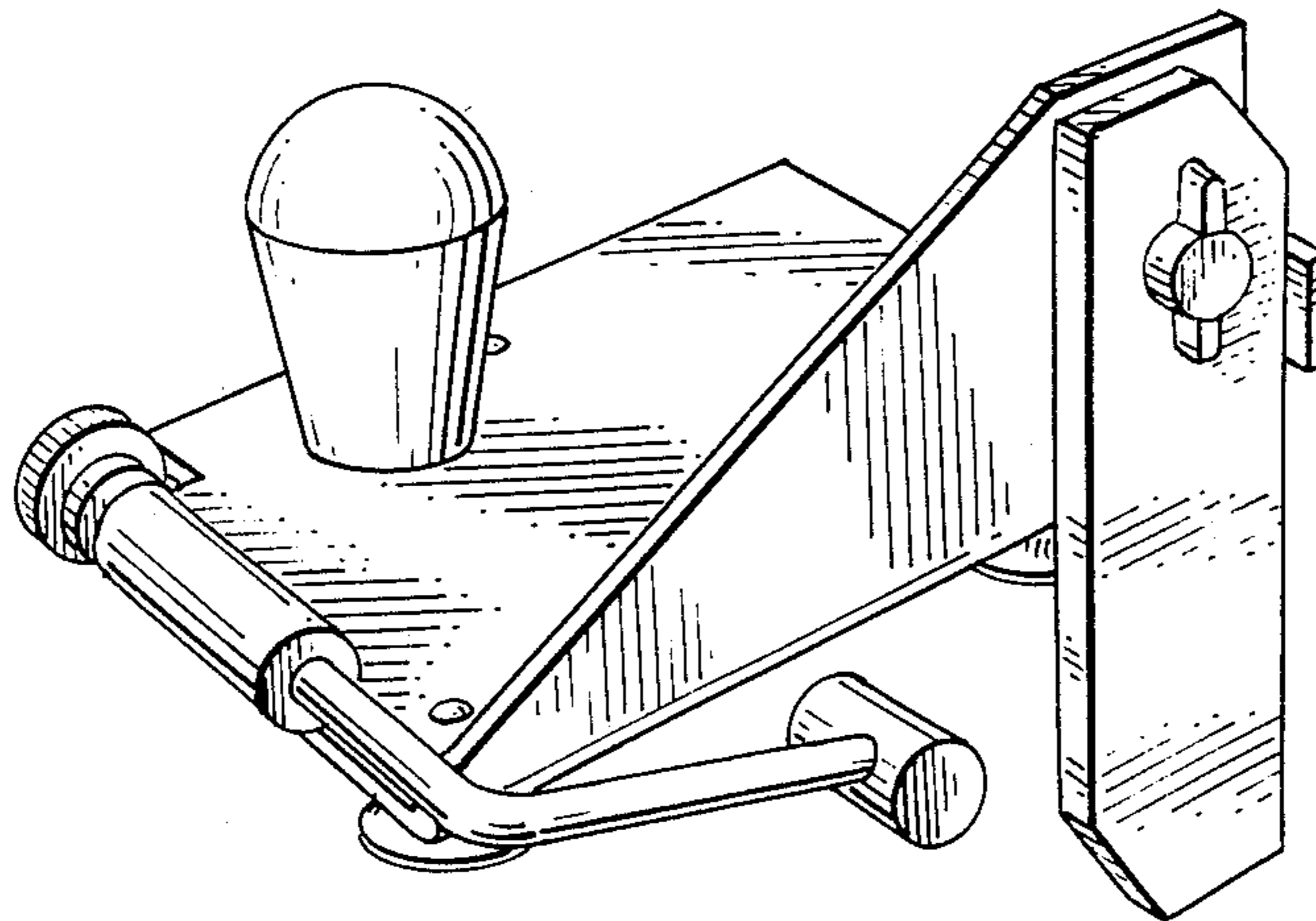


FIG. 1

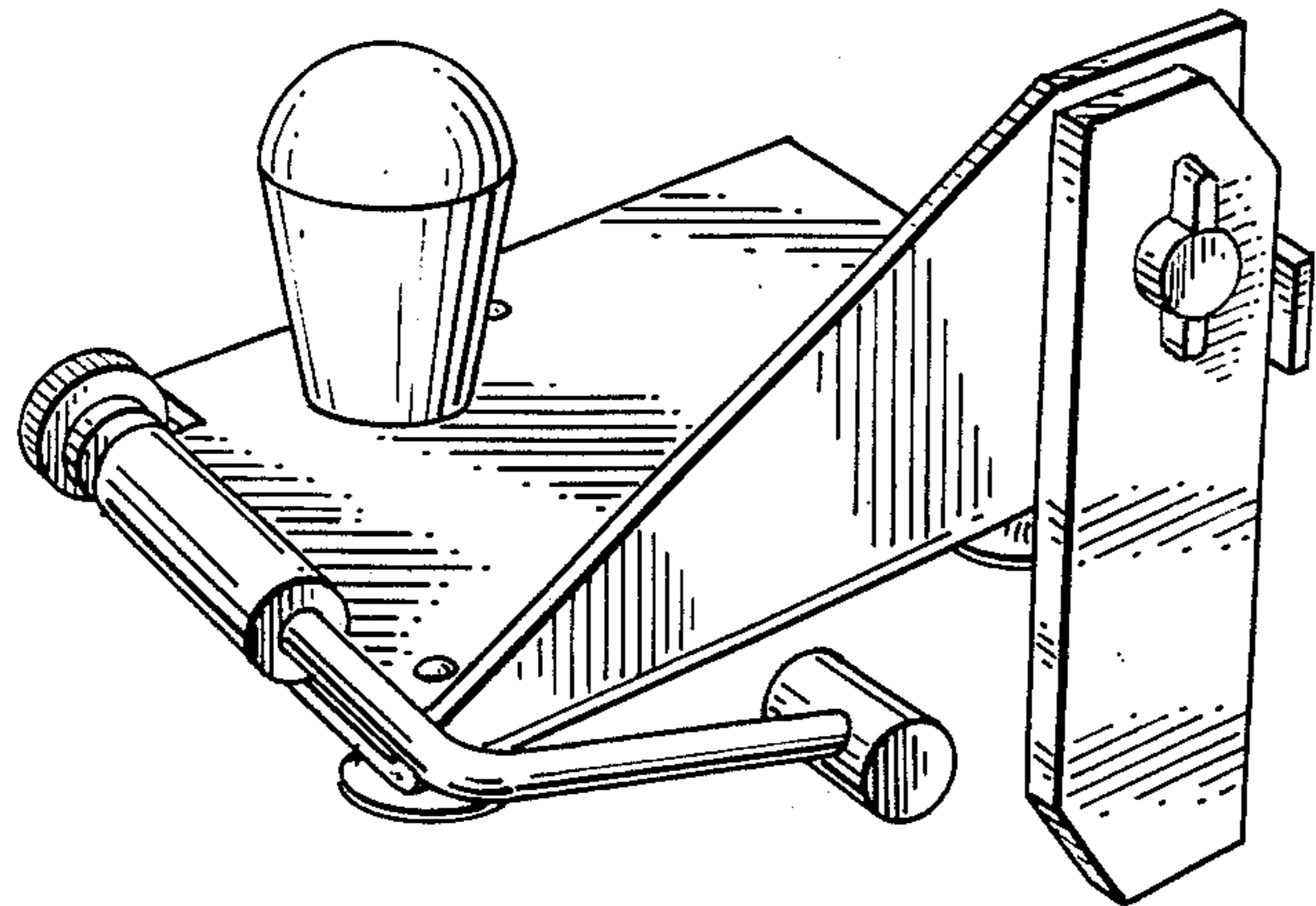


FIG. 2

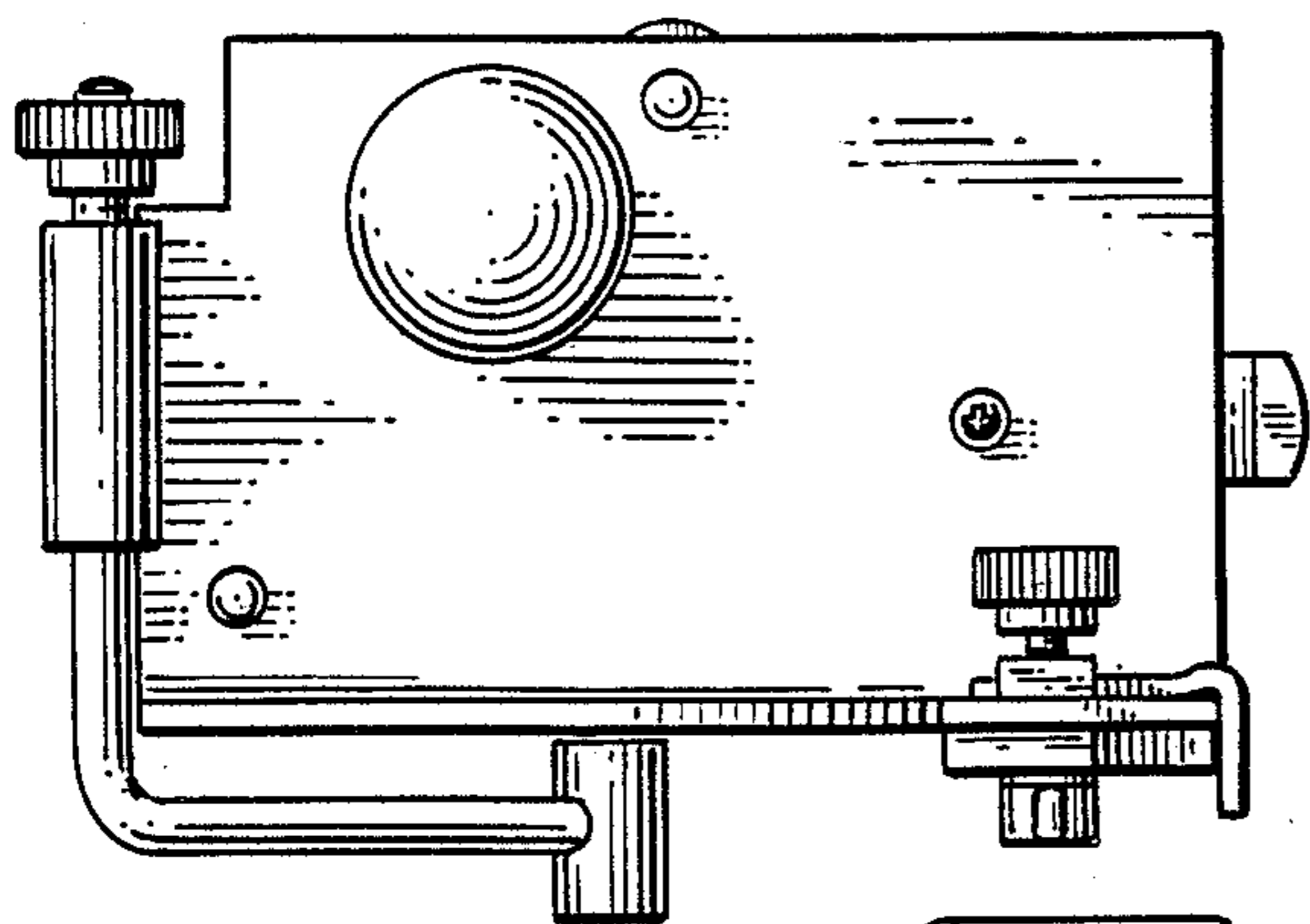
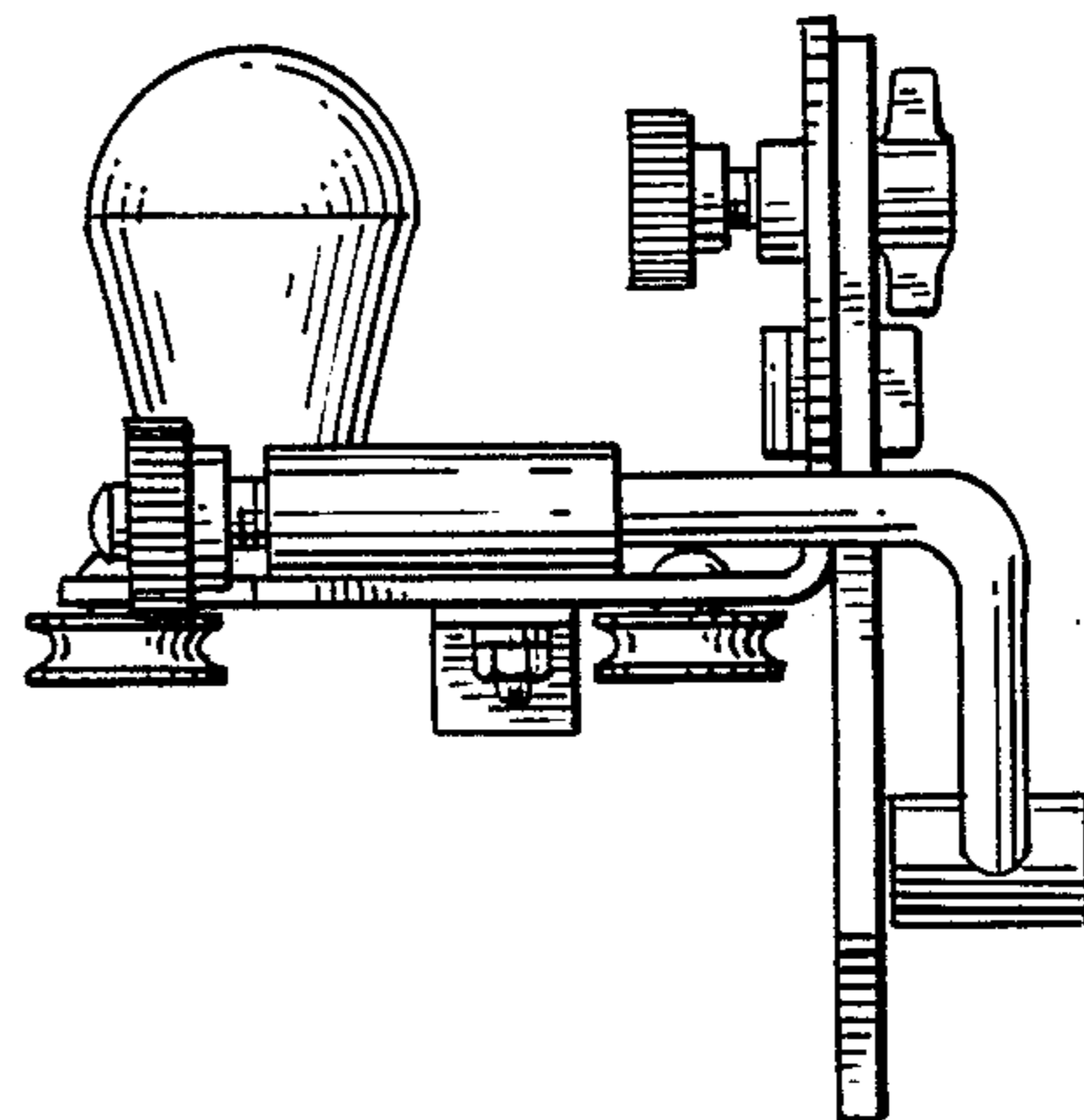


FIG. 3

FIG. 5

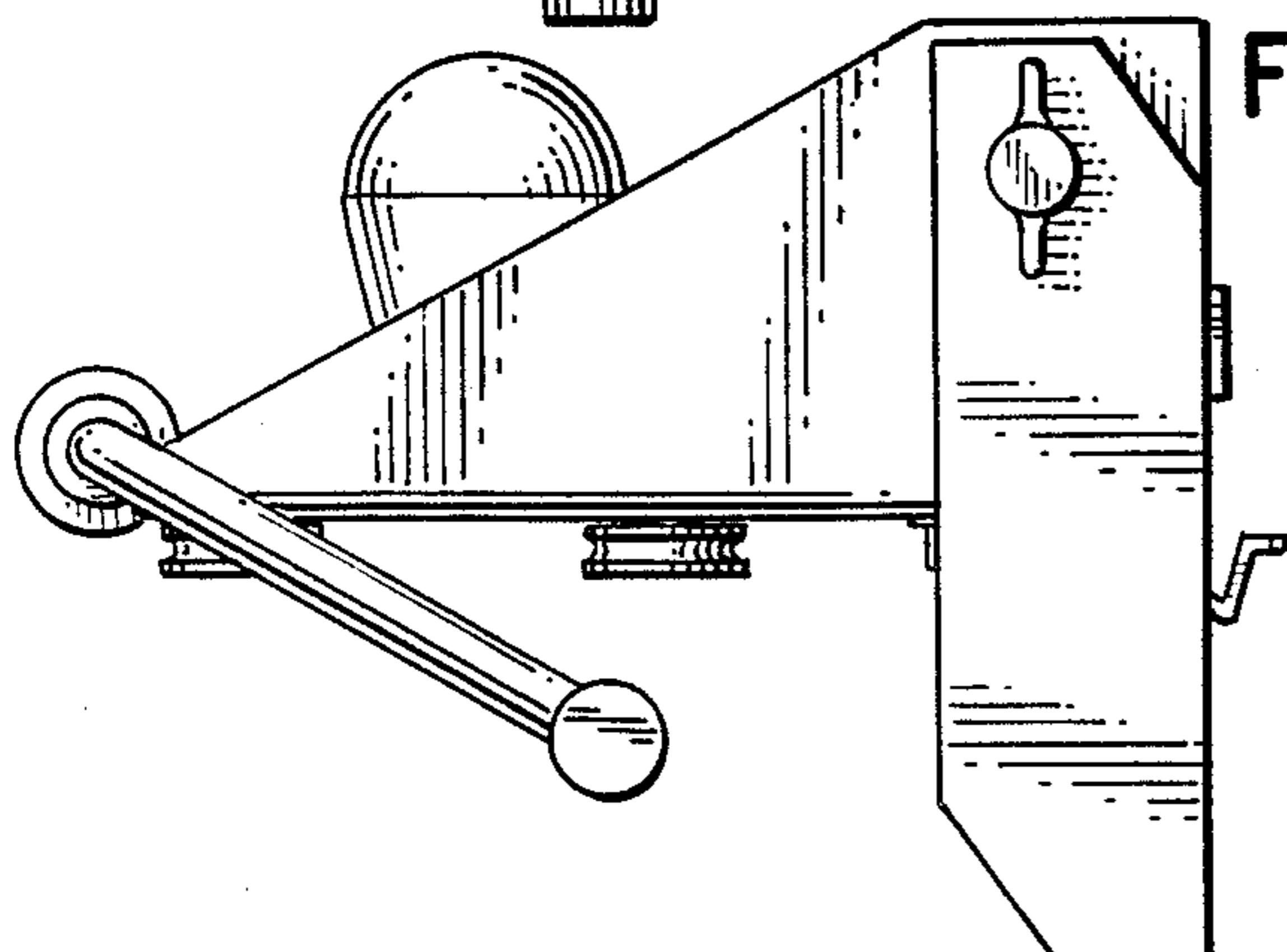
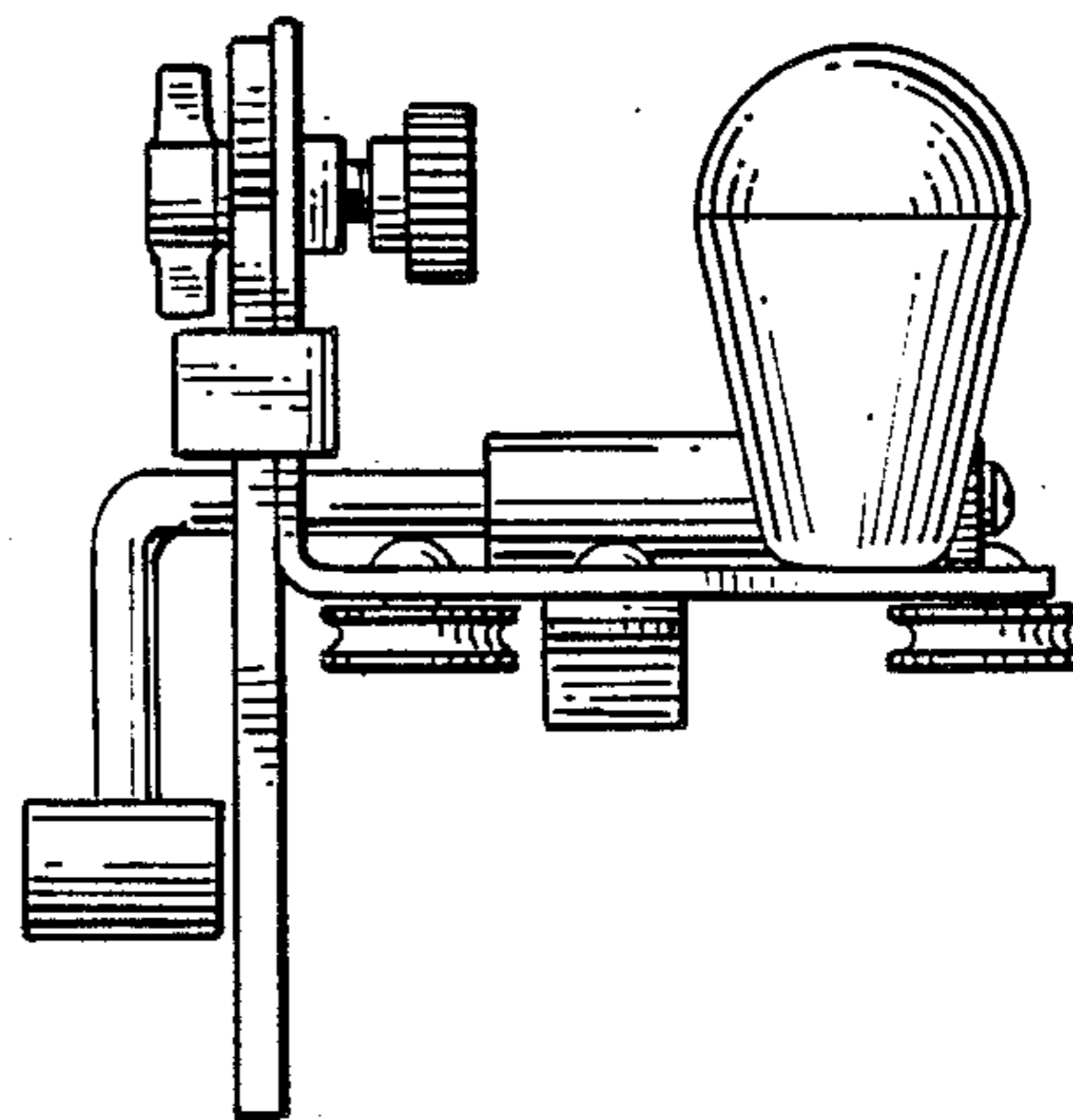


FIG. 4

FIG. 7

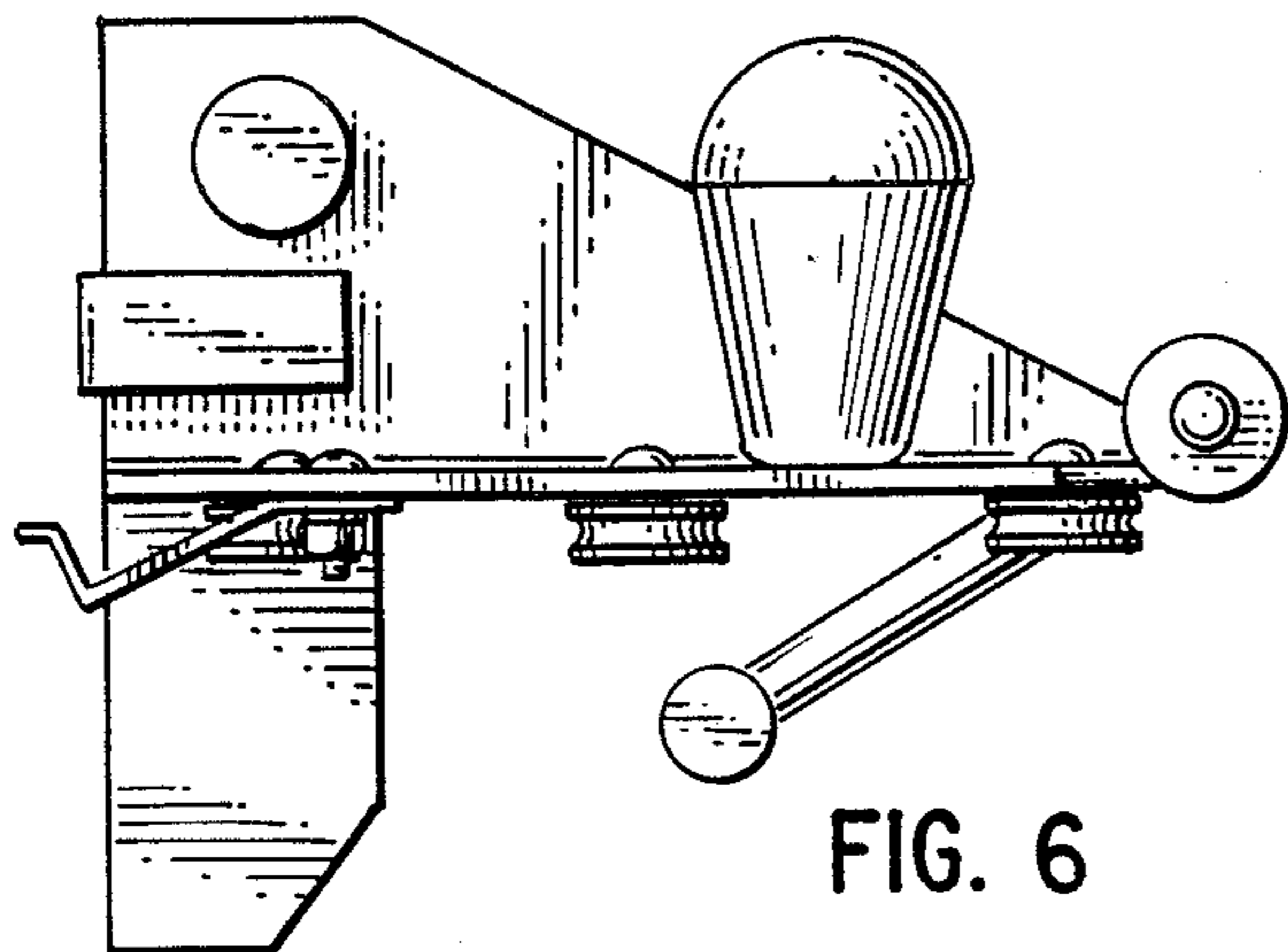
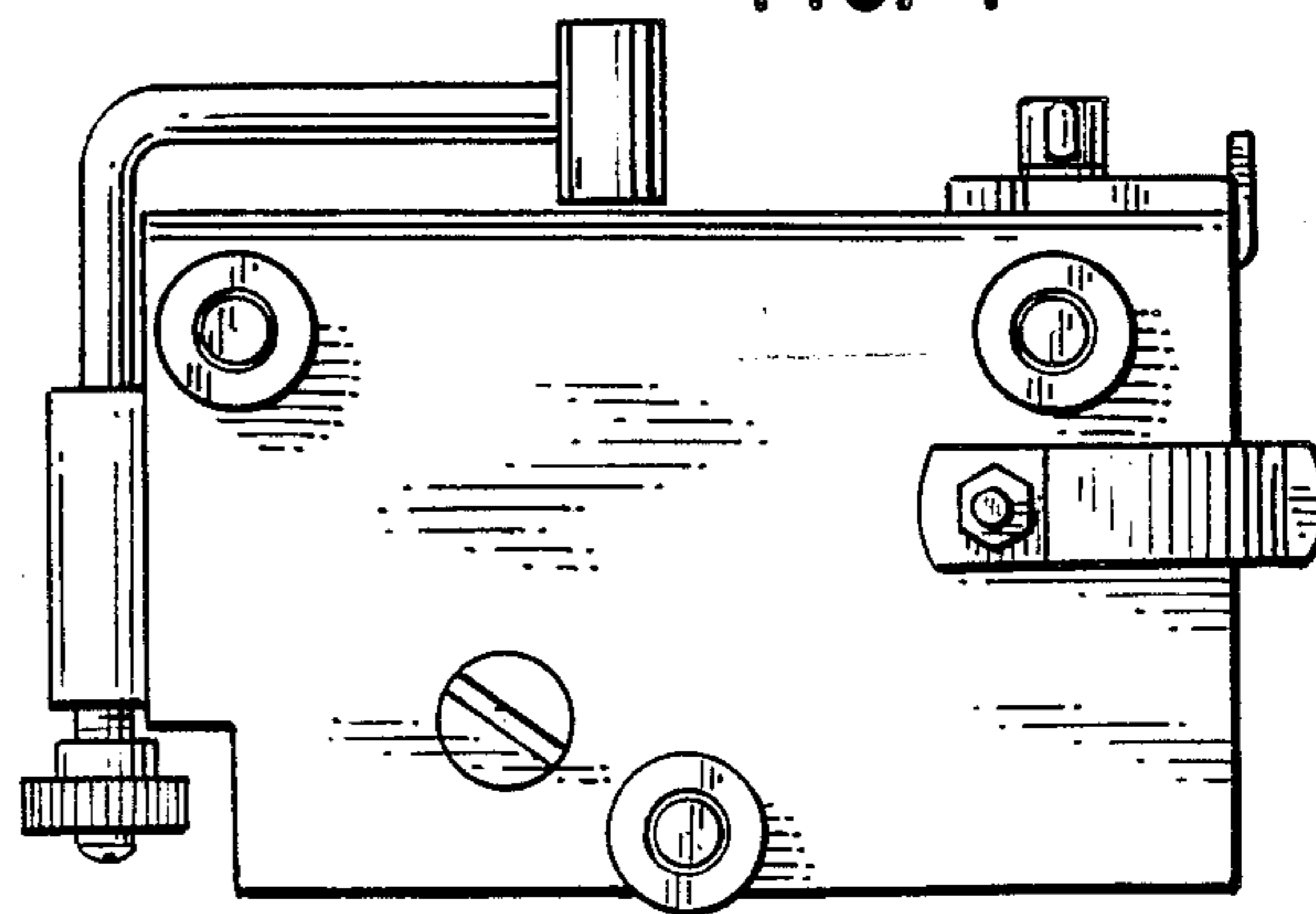


FIG. 6