

[54] WOODWORKING ROUTER

[75] Inventor: Kouichi Miyamoto, Hiroshima, Japan

[73] Assignee: Ryobi Ltd., Hiroshima, Japan

[**] Term: 14 Years

[21] Appl. No.: 59,674

[22] Filed: Jun. 5, 1987

[30] Foreign Application Priority Data

Dec. 8, 1986 [JP] Japan 61-48805

[52] U.S. Cl. D15/127

[58] Field of Search D15/127, 131; 144/116, 144/134 R, 117 R, 144 R

[56] References Cited

U.S. PATENT DOCUMENTS

- D. 151,044 9/1948 Huck D15/127
- D. 276,529 11/1984 Campbell, Jr. D15/127

- 4,364,695 12/1982 Lenz 144/144 R X
- 4,787,430 11/1988 Miyamoto 144/144 R

Primary Examiner—James R. Largen
Assistant Examiner—Jeffrey Asch
Attorney, Agent, or Firm—Sughrue, Mion, Zinn, Macpeak & Seas

[57] CLAIM

The ornamental design for a woodworking router, as shown.

DESCRIPTION

FIG. 1 is a front, top and left side perspective view of a woodworking router showing my new design; FIG. 2 is a rear elevational view; FIG. 3 is a front elevational view; FIG. 4 is a top plan view; FIG. 5 is a bottom plan view; FIG. 6 is a right side elevational view; and FIG. 7 is a left side elevational view thereof.

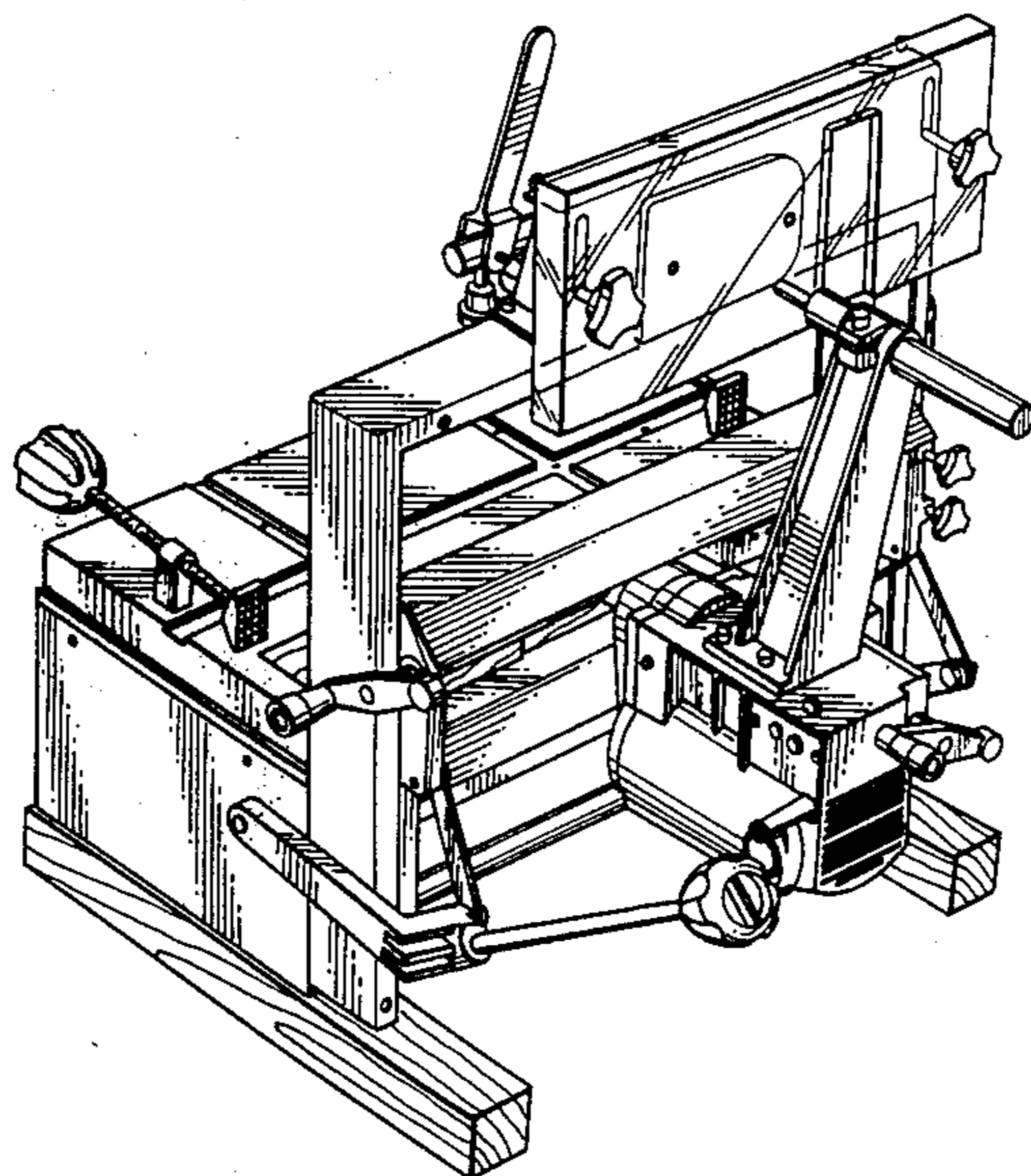


Fig. 1

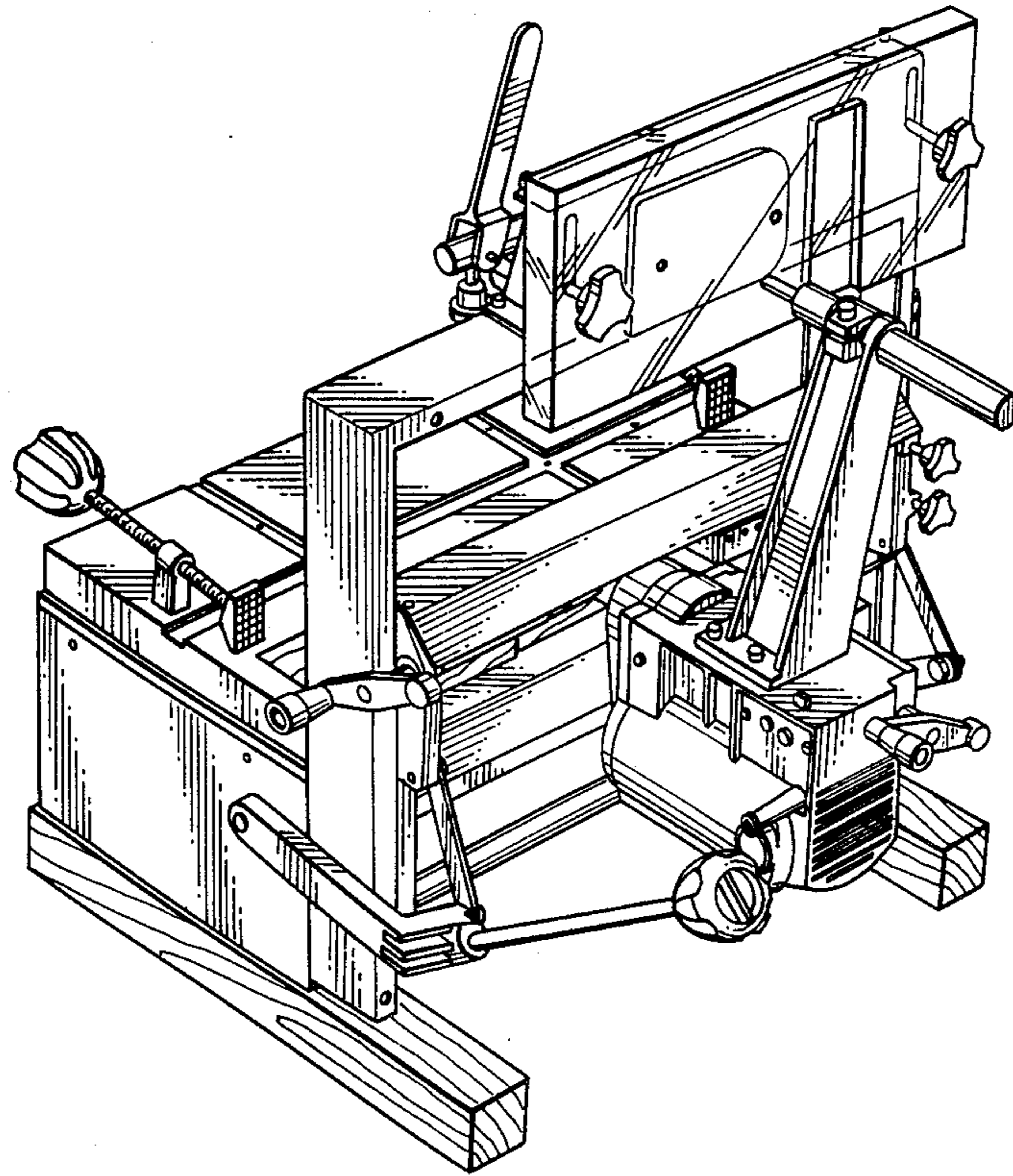


Fig. 3

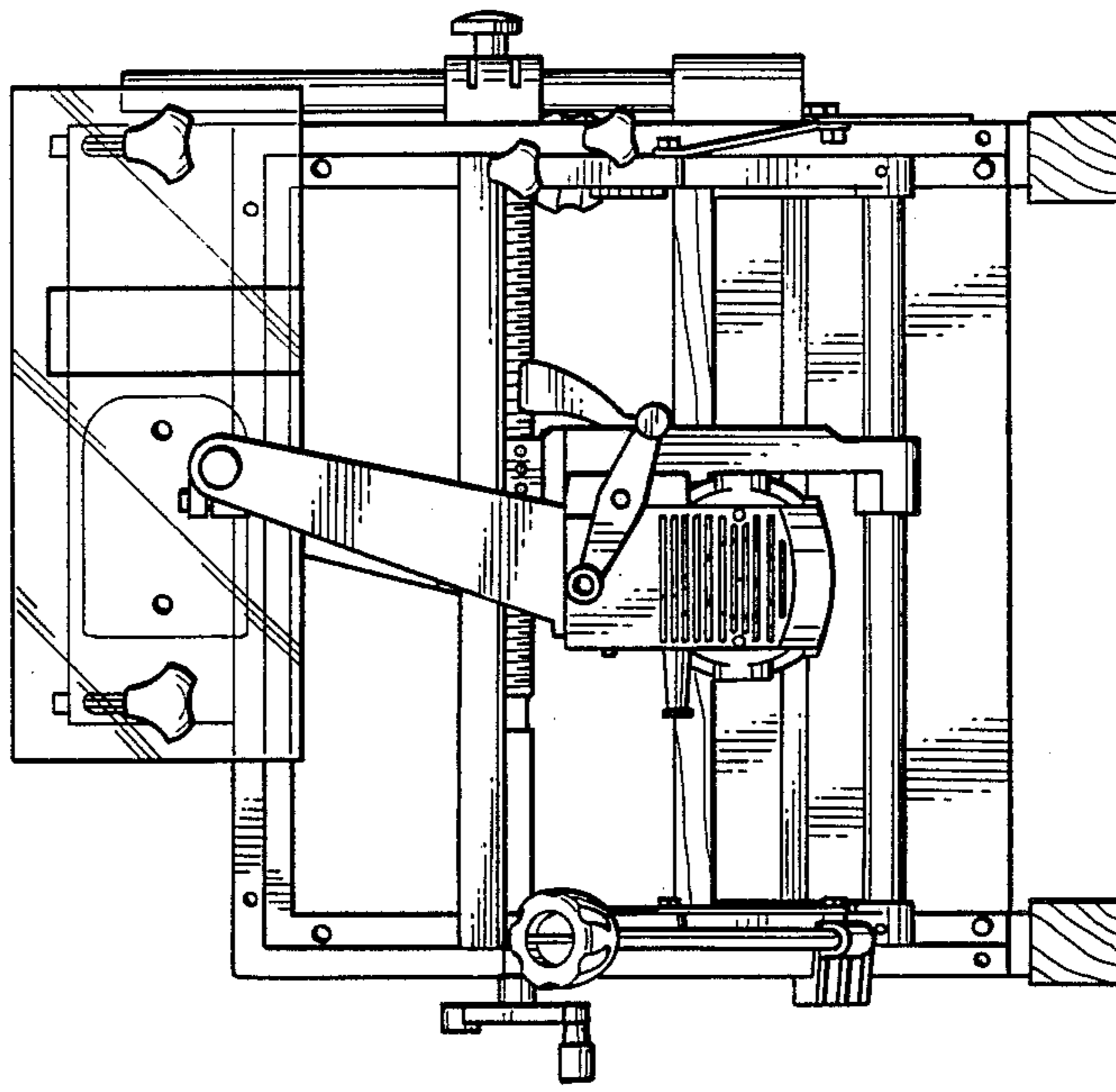


Fig. 2

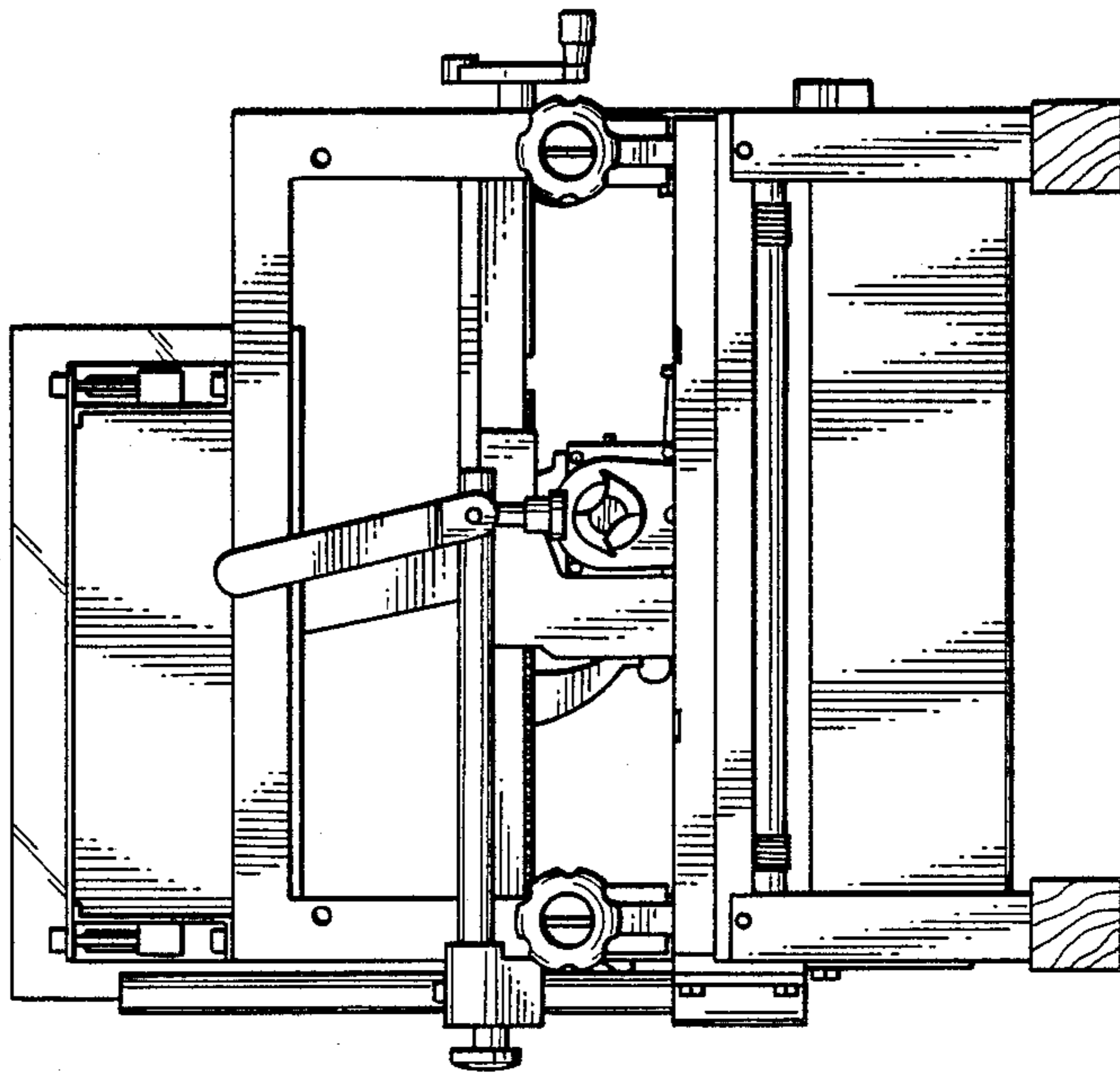


Fig. 5

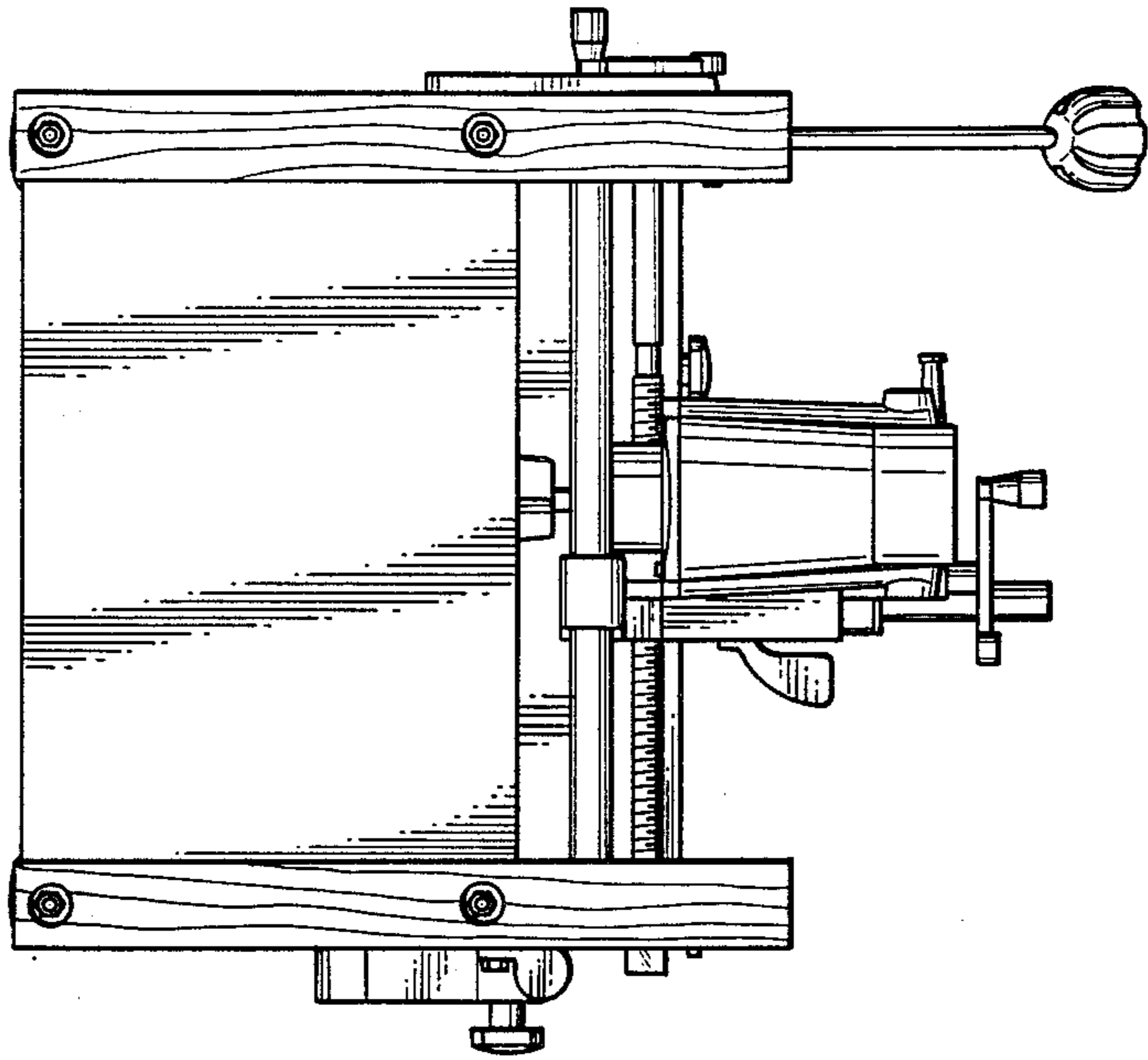


Fig. 4

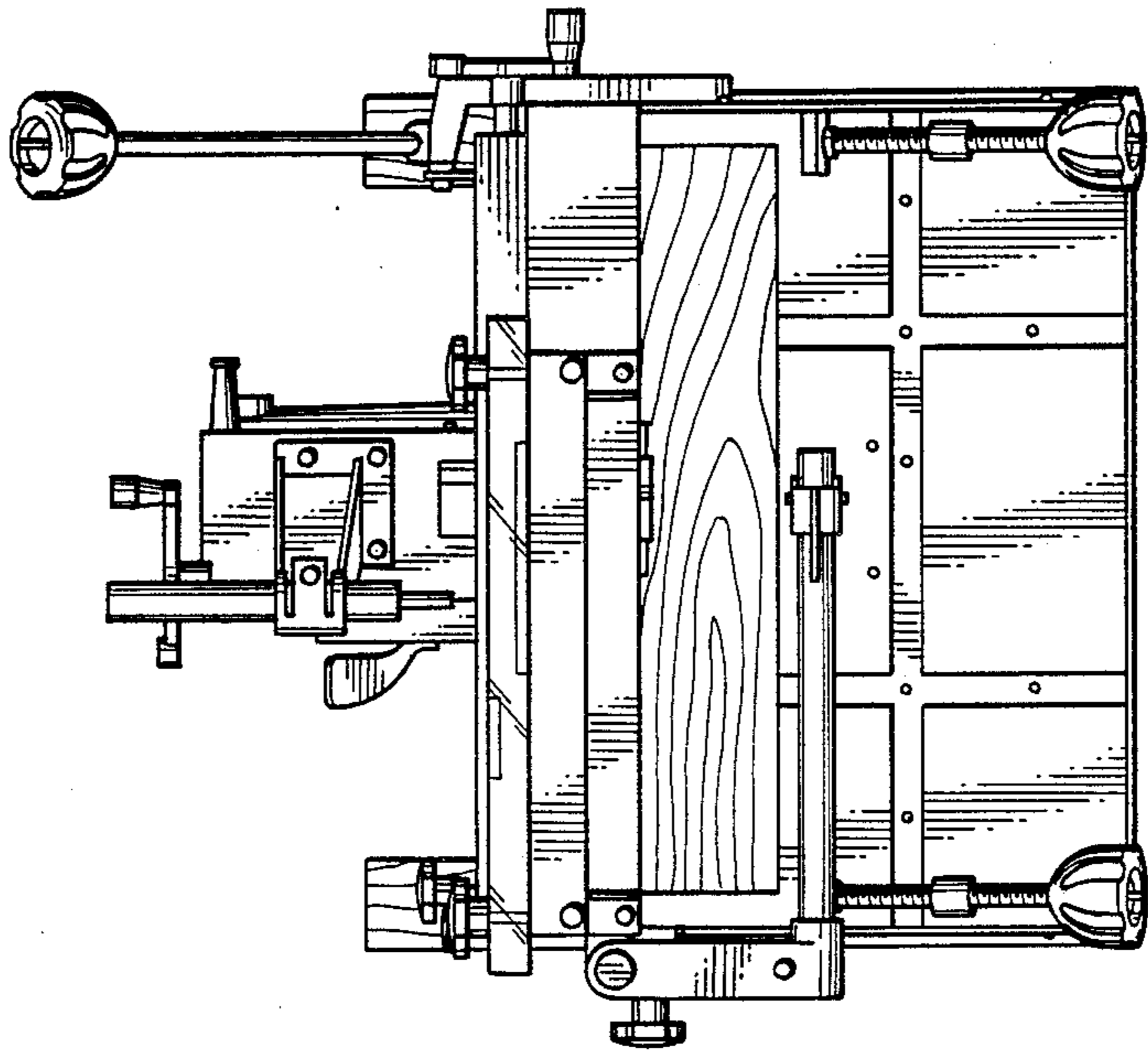


Fig. 7

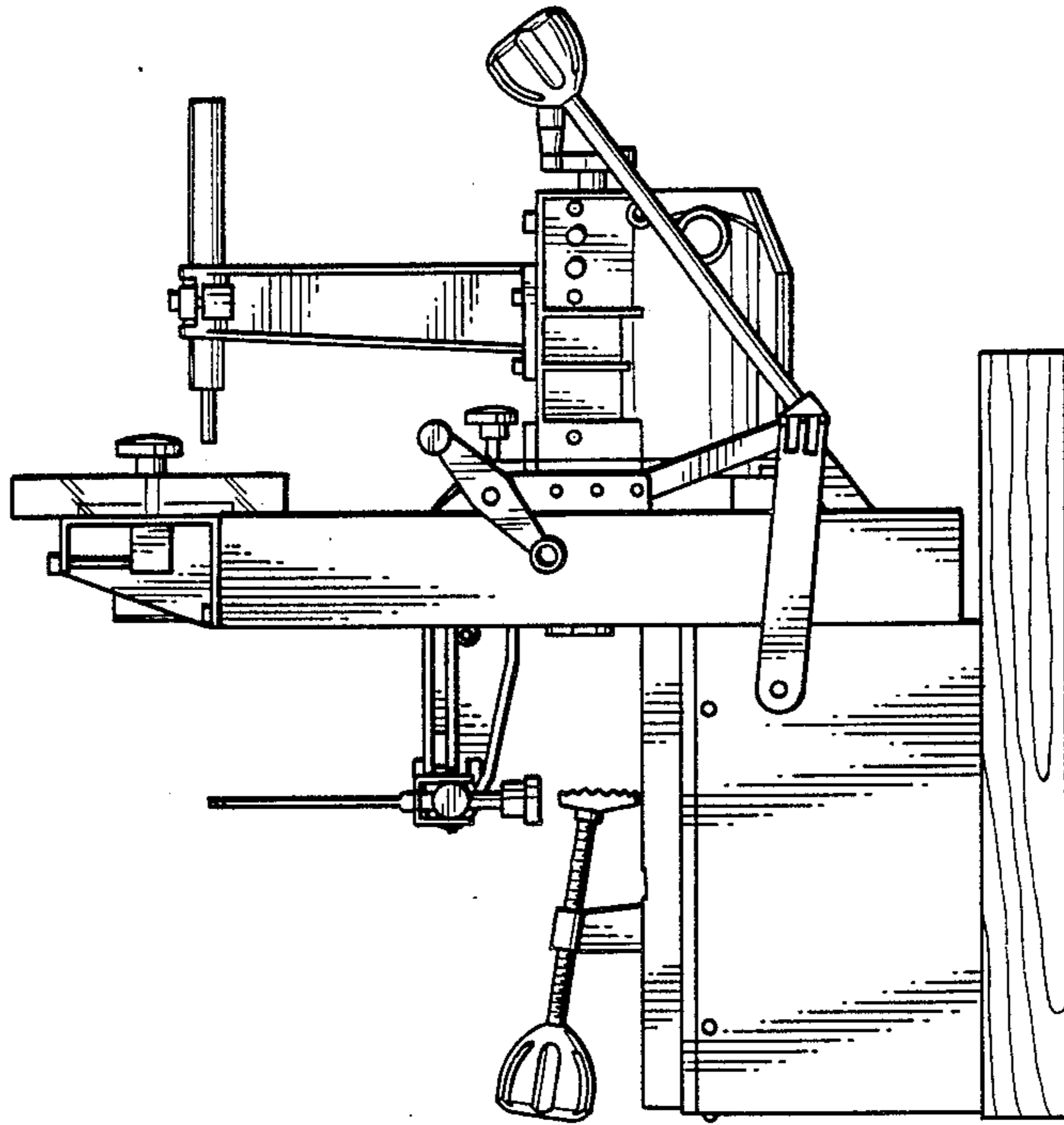


Fig. 6

