

[54] FORKLIFT TRACTOR

[56]

References Cited

[75] Inventors: Hisato Kato; Shigeru Morita; Keiichi Sasaki; Takashi Fukutaka, all of Sakai, Japan

U.S. PATENT DOCUMENTS

D. 297,539 9/1988 Morita et al. D15/23
D. 298,677 11/1988 Carlson et al. D12/15
4,322,107 3/1982 Ishizuka et al. D15/23
4,688,981 8/1987 Ravensborg et al. D12/14

[73] Assignee: Kubota, Ltd., Osaka, Japan

Primary Examiner—James R. Largen
Assistant Examiner—Ruth Takemoto
Attorney, Agent, or Firm—Jordan and Hamburg

[*] Notice: The portion of the term of this patent subsequent to Sep. 6, 2002 has been disclaimed.

[57] CLAIM

The ornamental design of a forklift tractor, as shown and described.

[**] Term: 14 Years

DESCRIPTION

[21] Appl. No.: 859,898

FIG. 1 is a right side elevational view of a forklift tractor showing our new design;
FIG. 2 is a left side elevational view thereof;
FIG. 3 is a top plan view thereof;
FIG. 4 is a rear elevational view thereof;
FIG. 5 is a front elevational view thereof; and
FIG. 6 is a top, rear and left side perspective view thereof.

[22] Filed: May 5, 1986

[52] U.S. Cl. D15/23

[58] Field of Search D15/10, 15, 23, 25,
D15/30-33; D12/14-15; 180/89.1, 89.12;
414/607, 667; 56/13.3-13.4, DIG. 22, 244, 249,
255-257, 264

The tires shown in broken lines in FIGS. 1-6 are shown for illustrative purposes only and form no part of the claimed design.

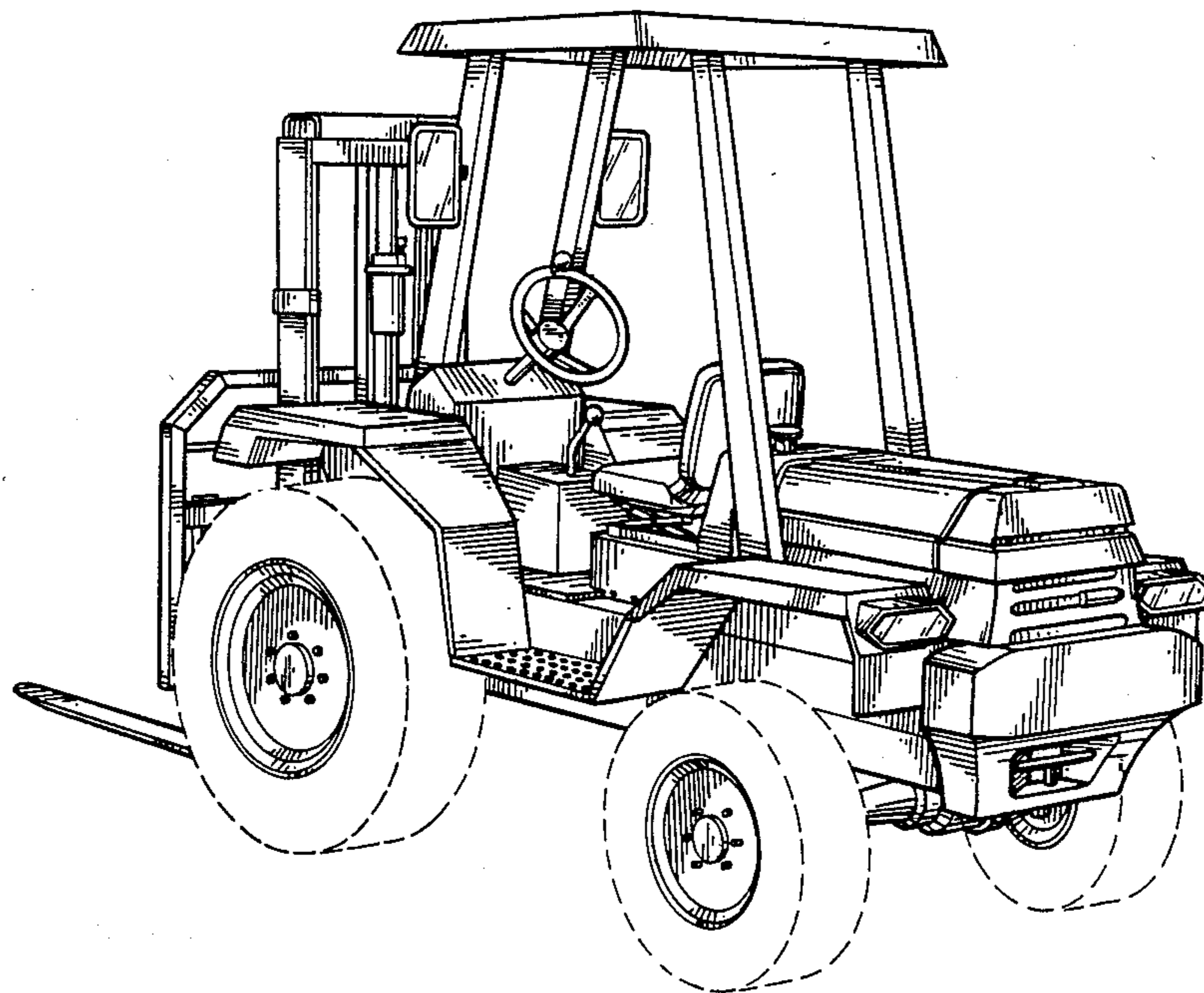


Fig. 1

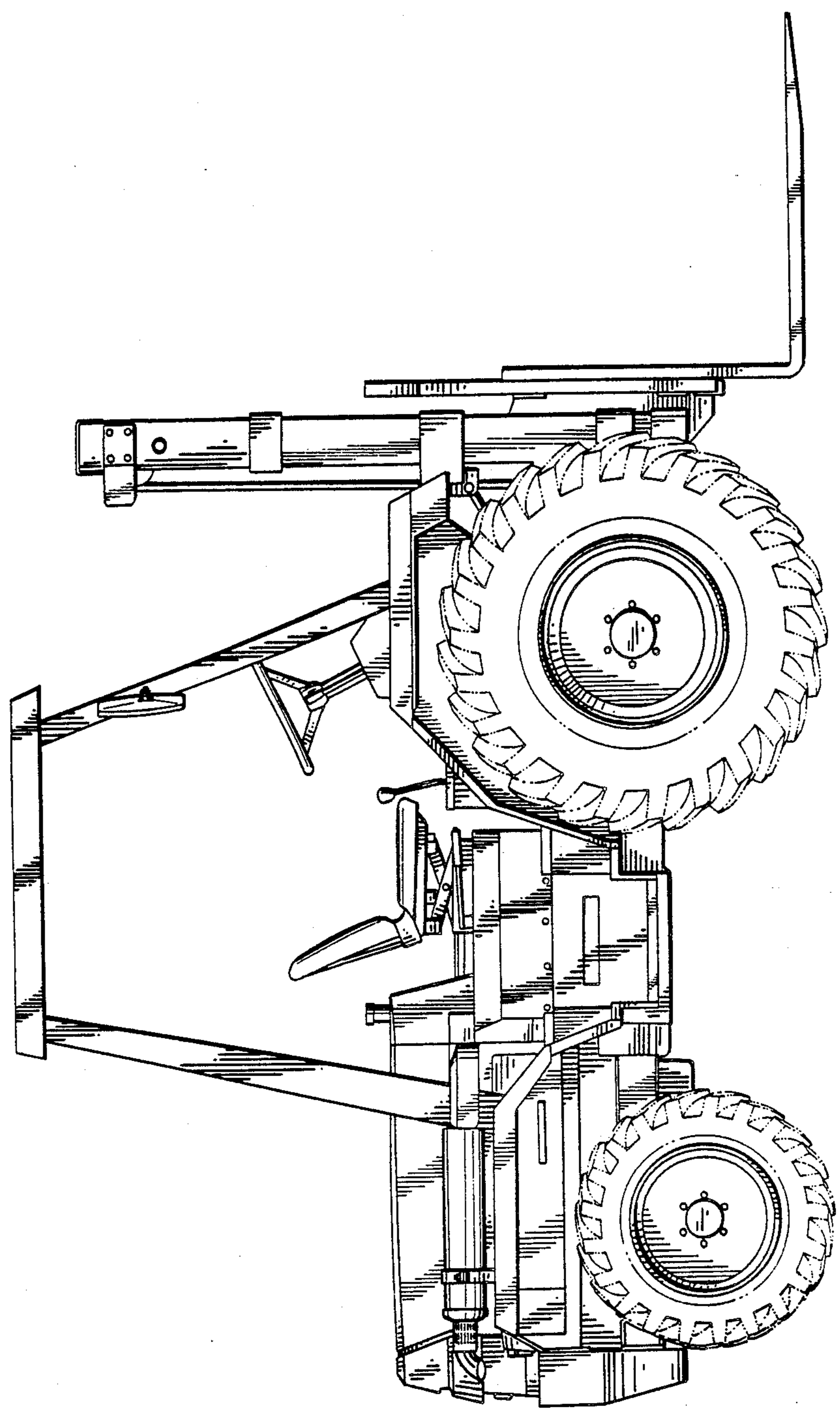


Fig. 2

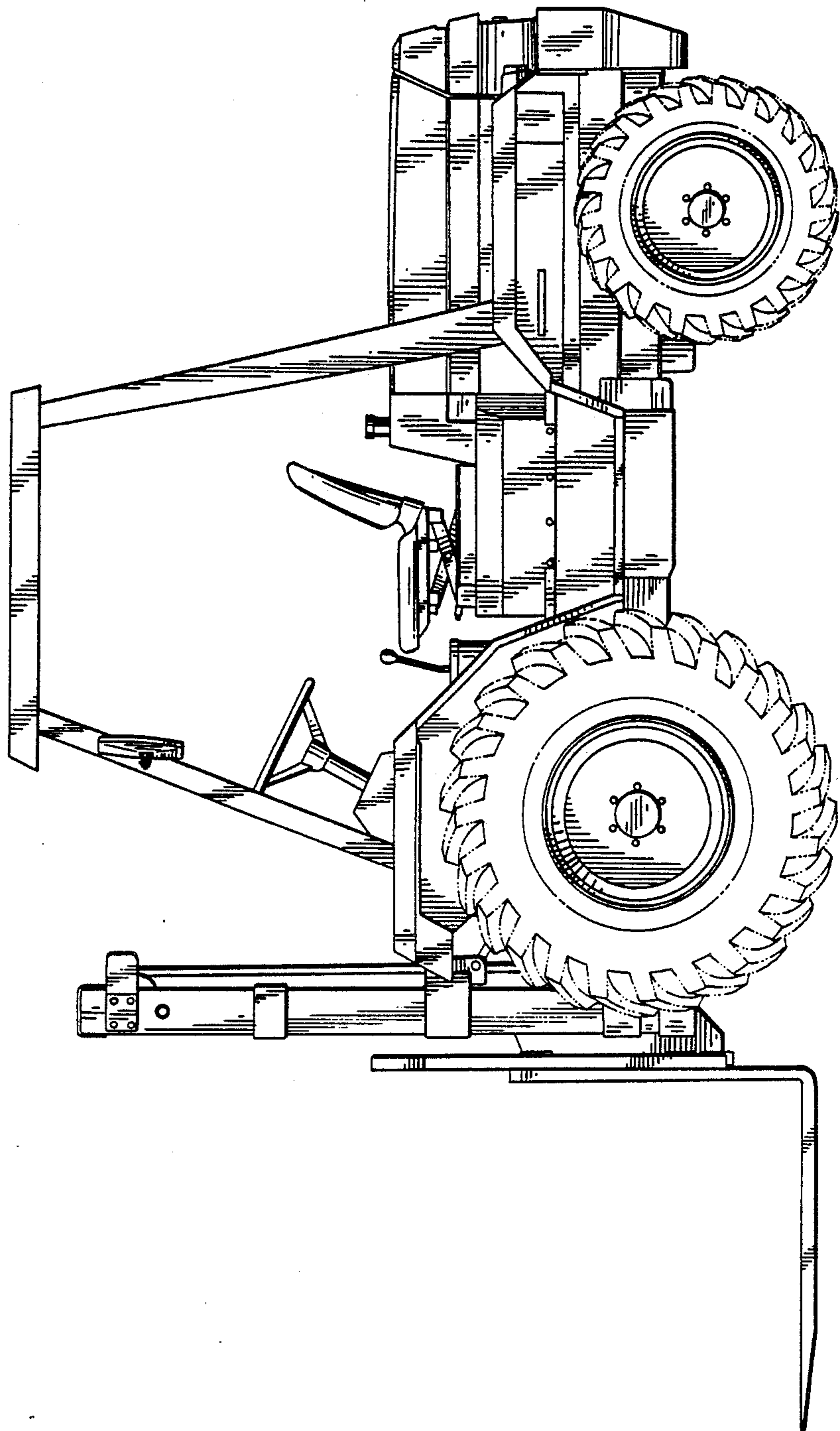


Fig. 3

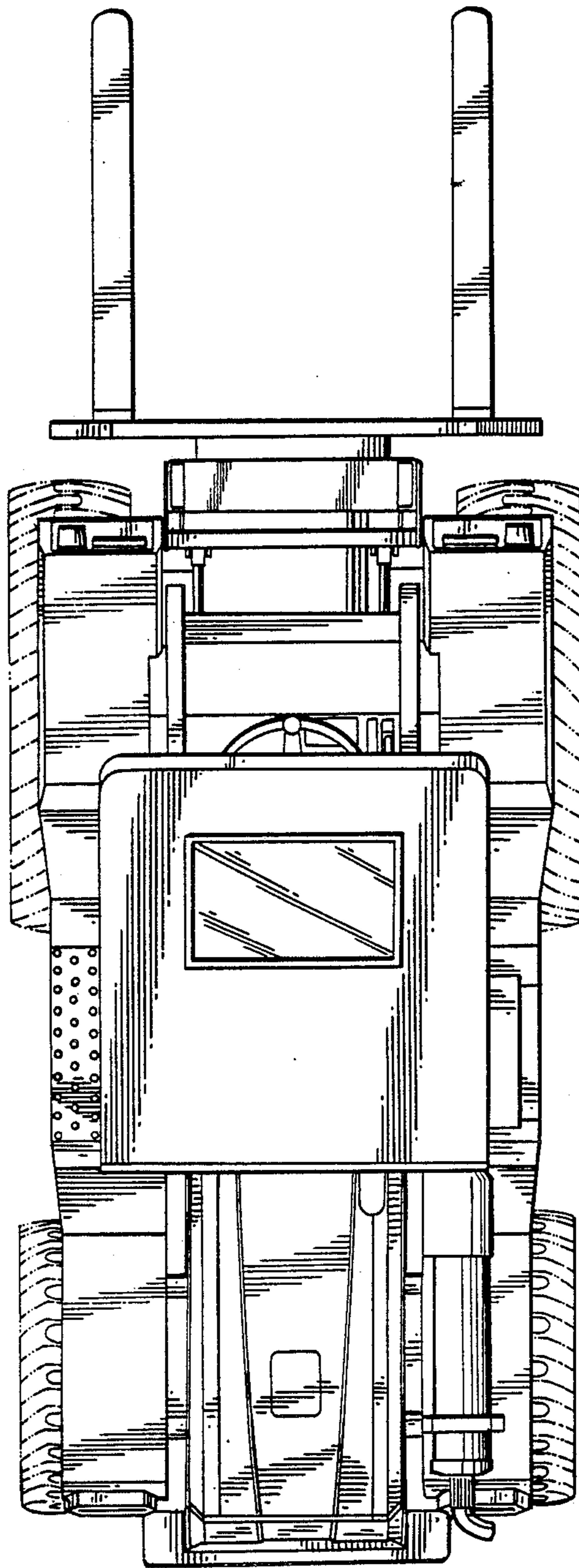


Fig.5

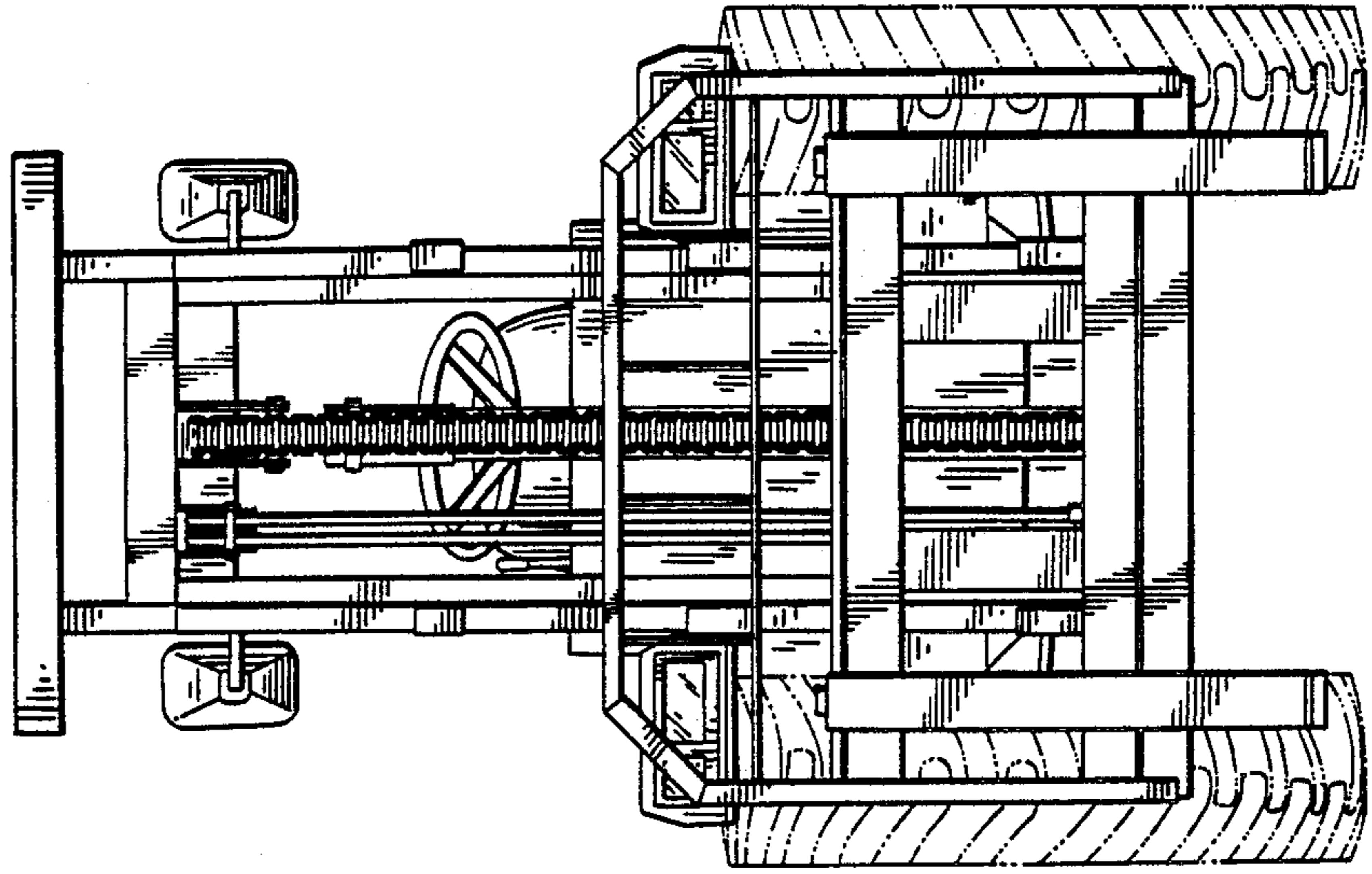
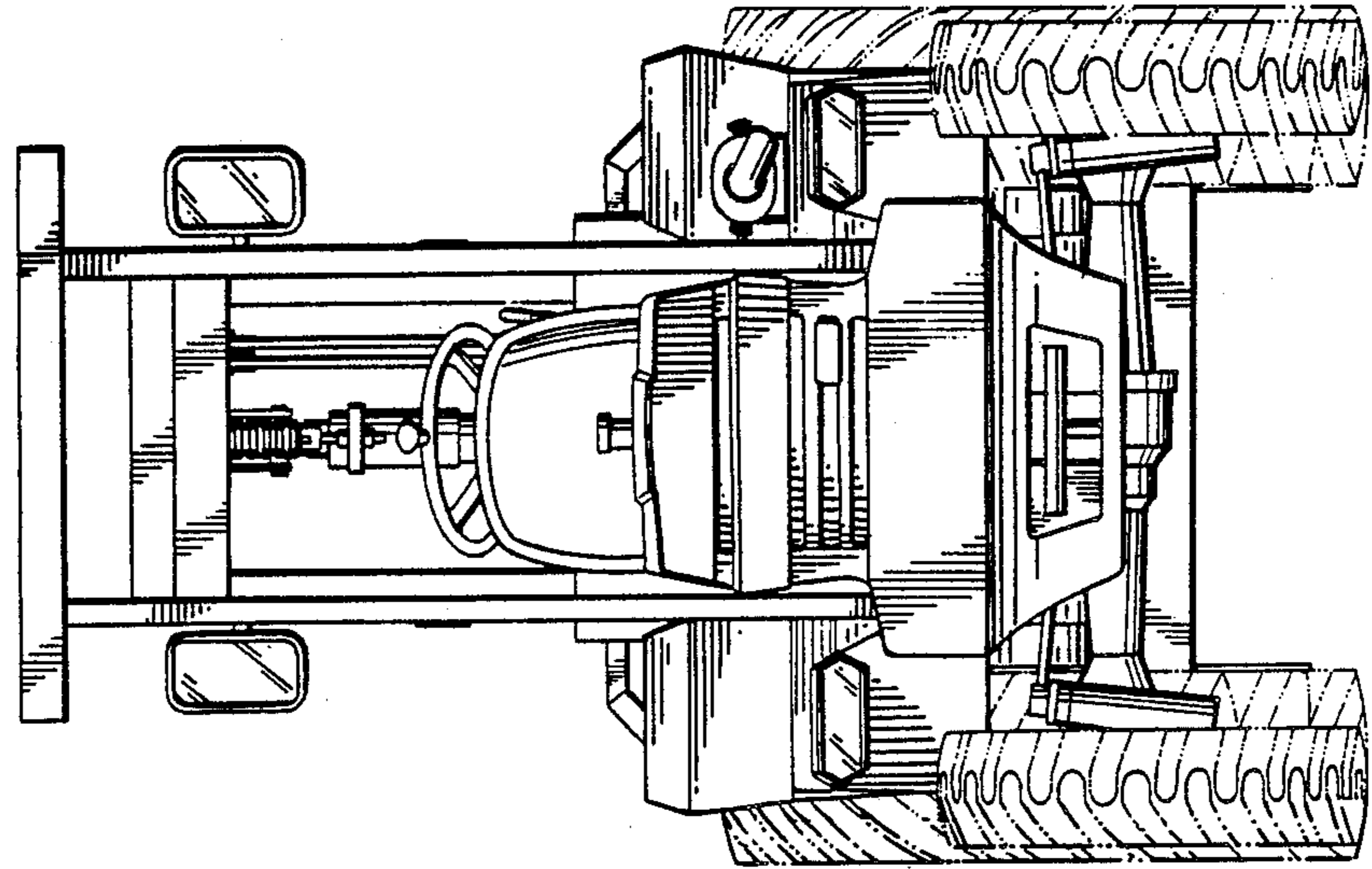


Fig.4



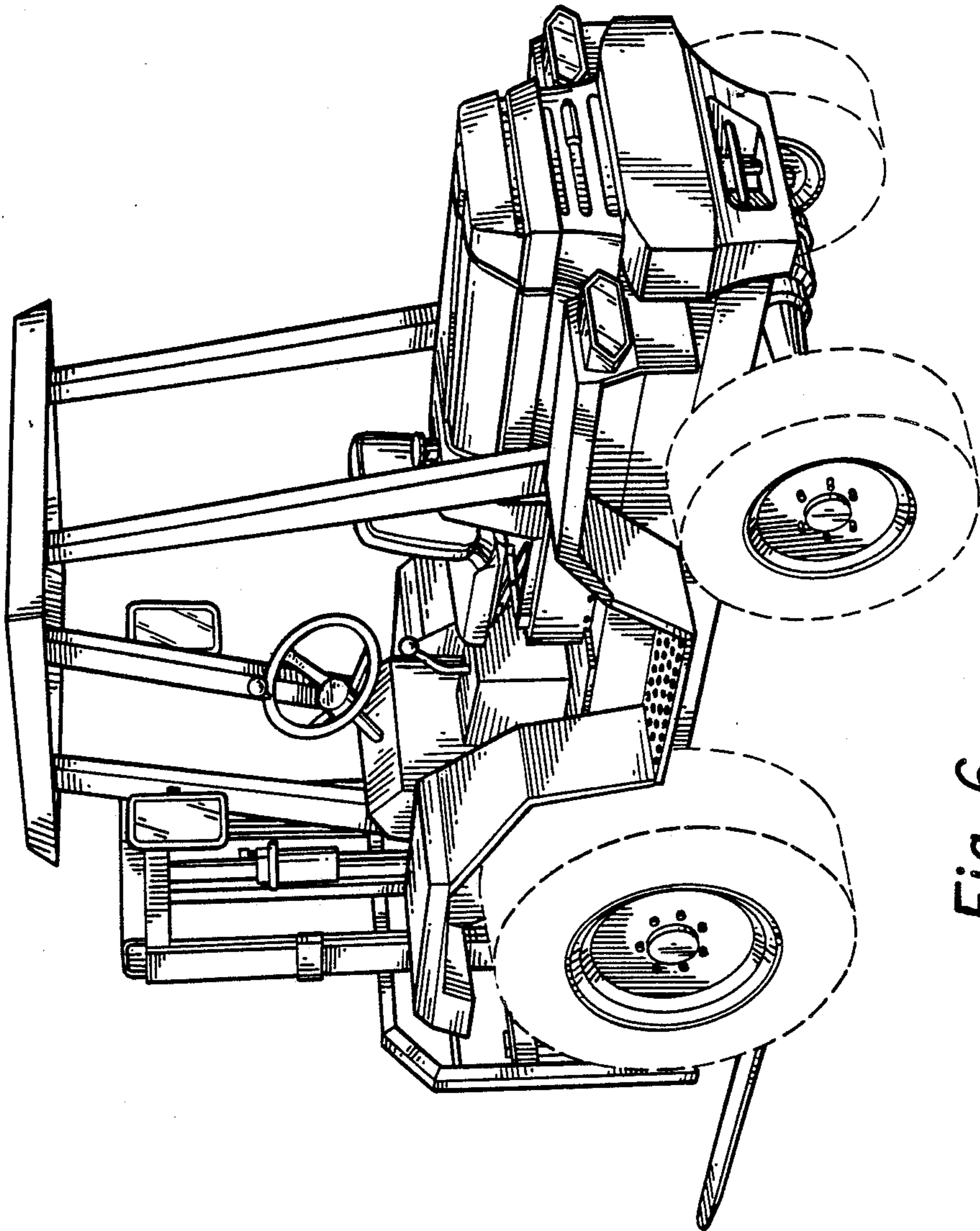


Fig. 6