

[54] HAND-HELD OPTICAL SCANNER

[75] Inventors: Edward D. Barkan, South Setauket; Howard M. Shepard, Great River; Frank Gong, Williston Park; Mark J. Krichever, Hauppauge, all of N.Y.

[73] Assignee: Symbol Technologies, Inc., Bohemia, N.Y.

[**] Term: 14 Years

[21] Appl. No.: 210,776

[22] Filed: Jun. 24, 1988

[52] U.S. Cl. D14/116

[58] Field of Search D14/100, 105, 107, 114, D14/116; 235/454, 462, 470, 471, 473, 475, 479; 250/203 R, 566, 568, 569, 239; 358/408, 473, 474, 479; 354/80, 81, 82; 355/231, 233; 382/58, 59, 62, 63, 65

[56] References Cited

U.S. PATENT DOCUMENTS

D. 251,560	4/1979	Smith et al.	D14/116
3,787,107	1/1974	Sick et al.	250/566 X
3,918,028	11/1975	Humphrey et al.	235/472 X
4,115,703	9/1978	Dobras	250/568
4,158,194	6/1979	McWaters et al.	235/454 X
4,387,297	6/1983	Swartz et al.	235/472 X
4,652,750	3/1987	Eastman et al.	250/239

OTHER PUBLICATIONS

Symbol Technologies, Inc., flyer on LS 7000 II, bearing 1987 copyright notice.

Symbol Technologies, Inc., flyer on LS 8100 II, bearing 1987 copyright notice.

Opticon Inc. brochure MSH850.

Metrologic brochure on MH290 Hand-Held Laser Scanner.

Photographic Sciences brochure on Optel Scanner 2281.

Opticon Inc. Advertisement on TS-2000 CCD Scanner, undated.

Primary Examiner—Susan J. Lucas

Assistant Examiner—Freda S. Nunn

[57] CLAIM

The ornamental design for a hand-held optical scanner, as shown and described.

DESCRIPTION

FIG. 1 is a perspective view of a hand-held optical scanner showing our new design, the cord being shown in broken lines for illustrative purposes only and thus forming no part of the claimed design;

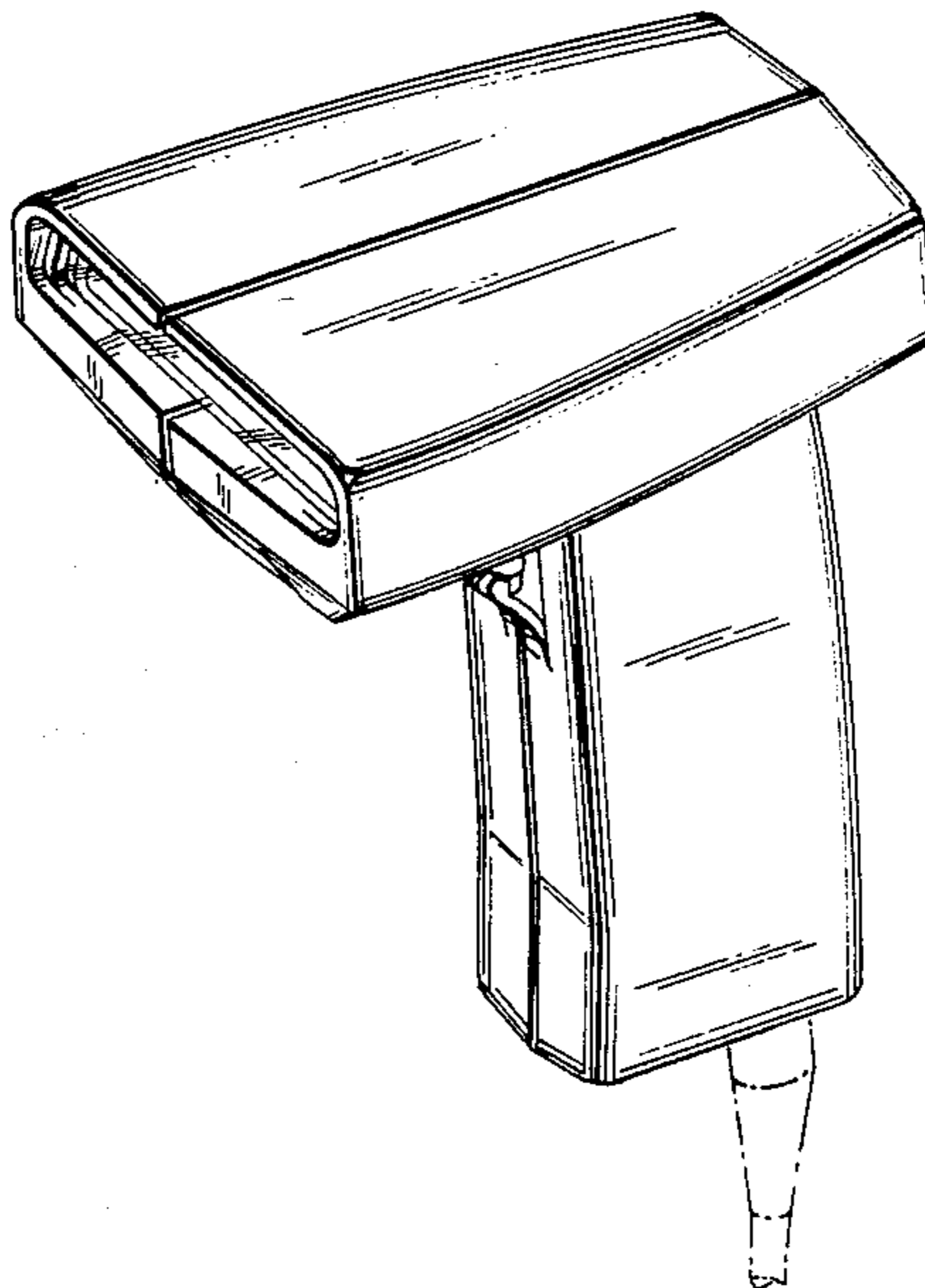
FIG. 2 is an enlarged front elevational view thereof;

FIG. 3 is an enlarged right side elevational view thereof;

FIG. 4 is an enlarged rear elevational view thereof;

FIG. 5 is an enlarged bottom plan view thereof;

FIG. 6 is an enlarged left side elevational view thereof.



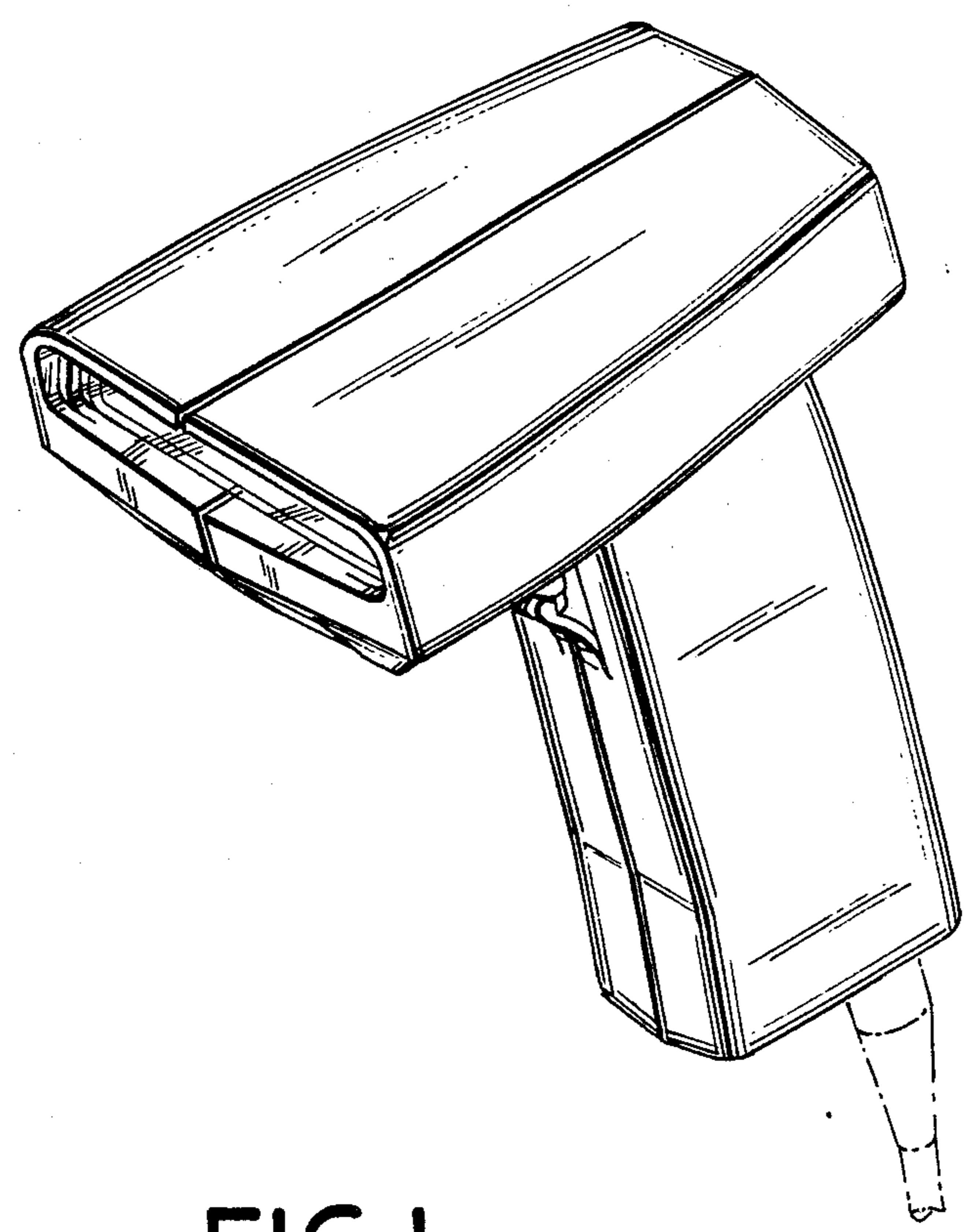


FIG. 1

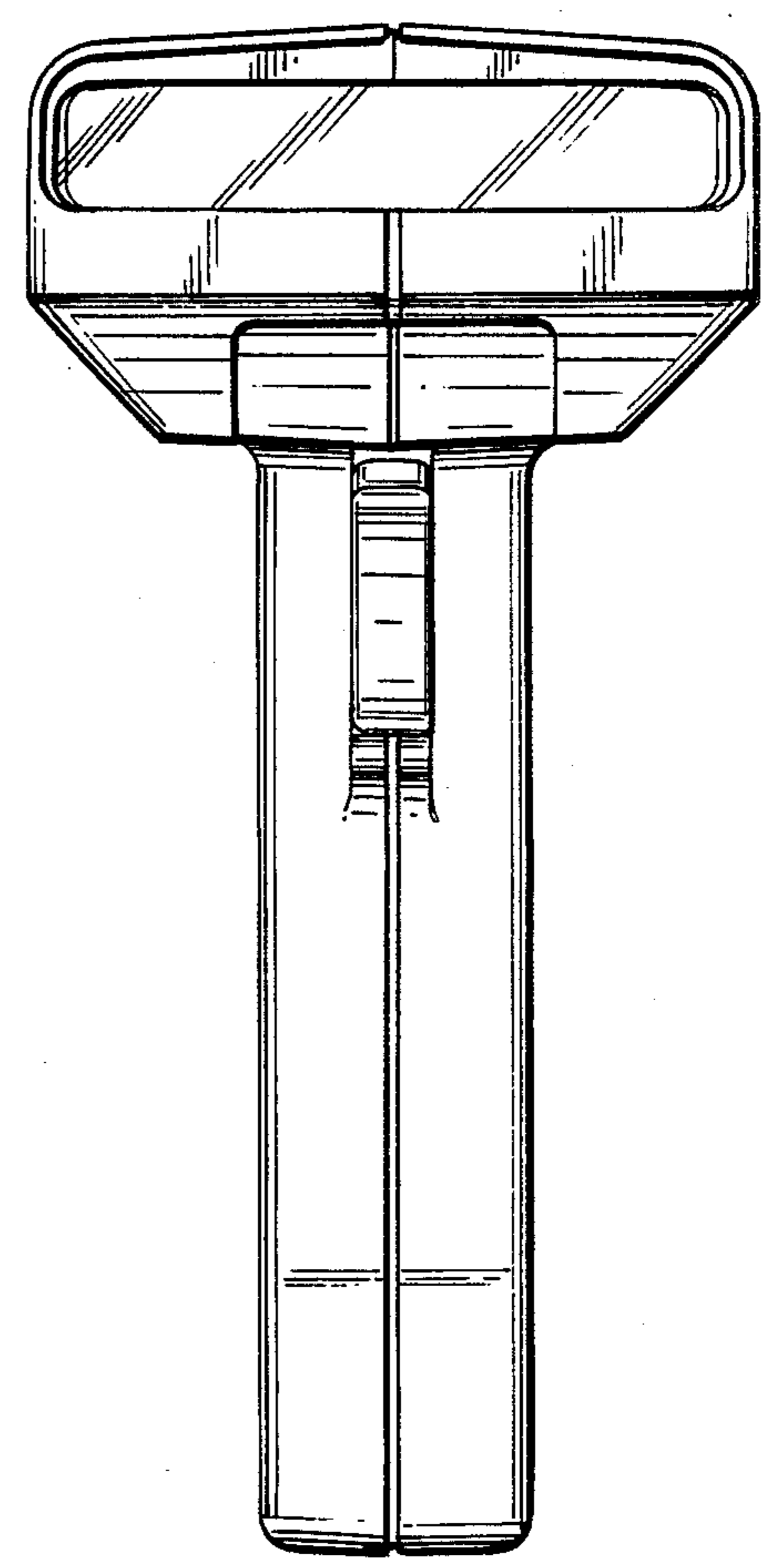


FIG. 2

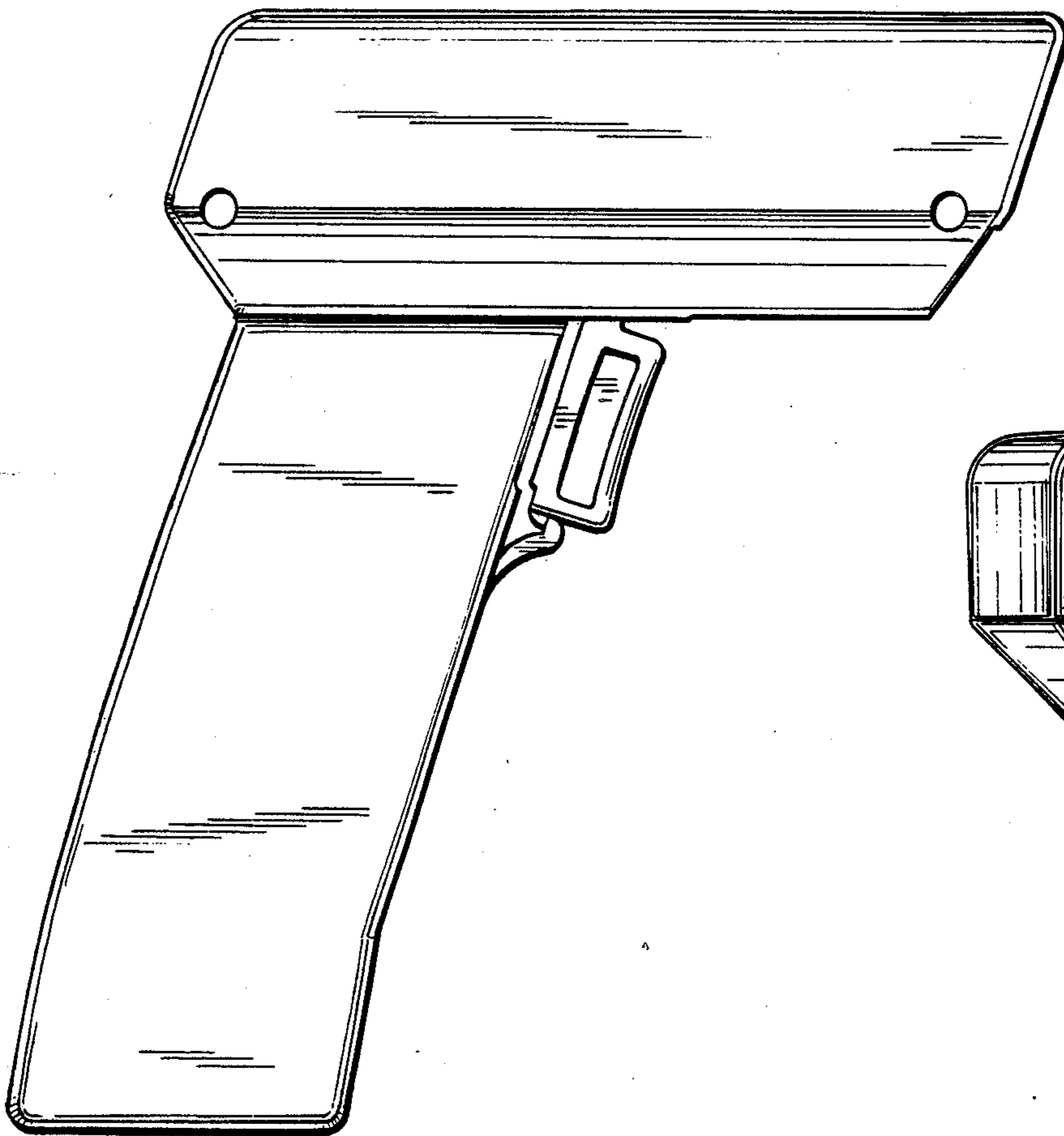


FIG. 3

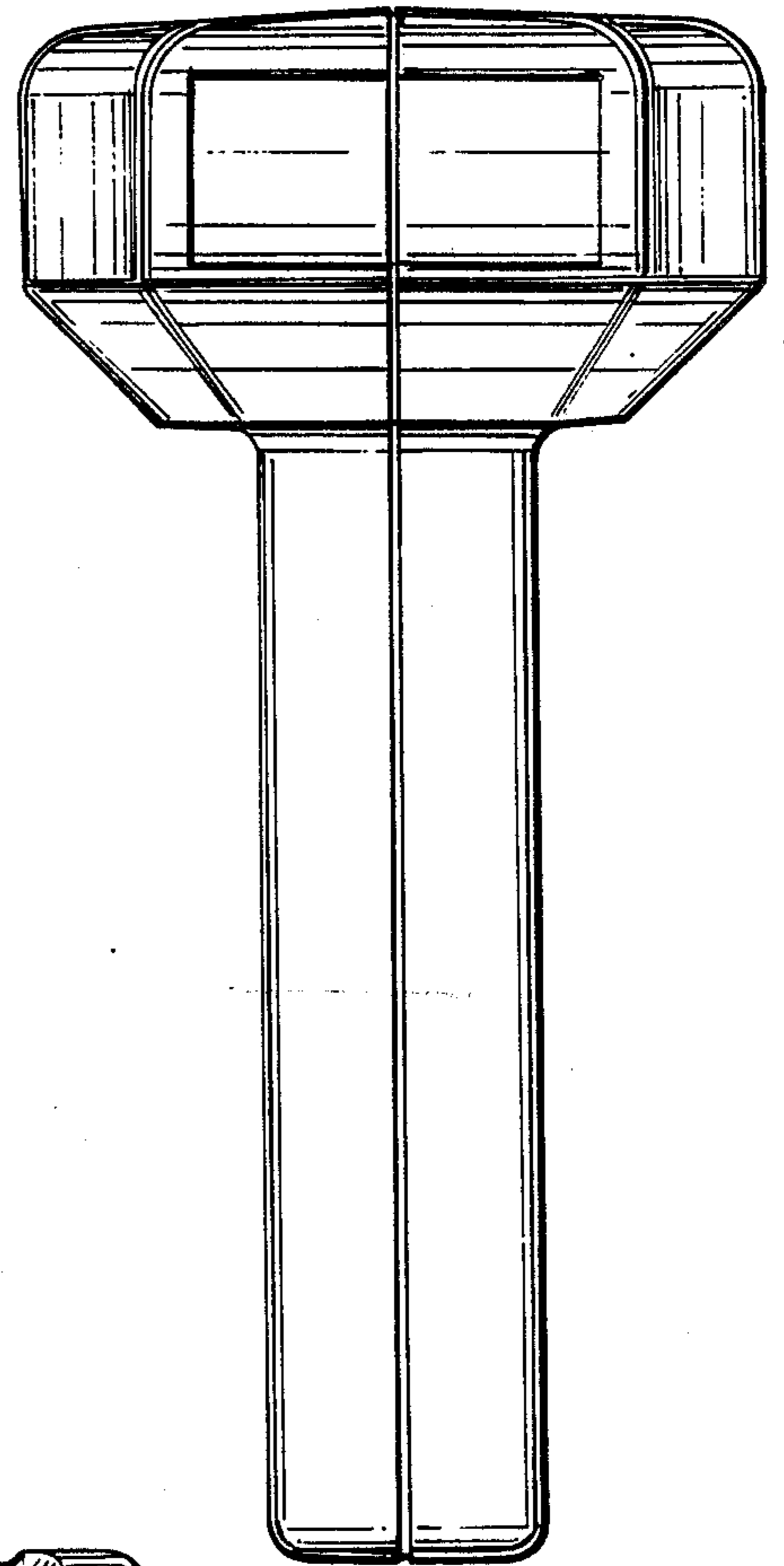


FIG. 4

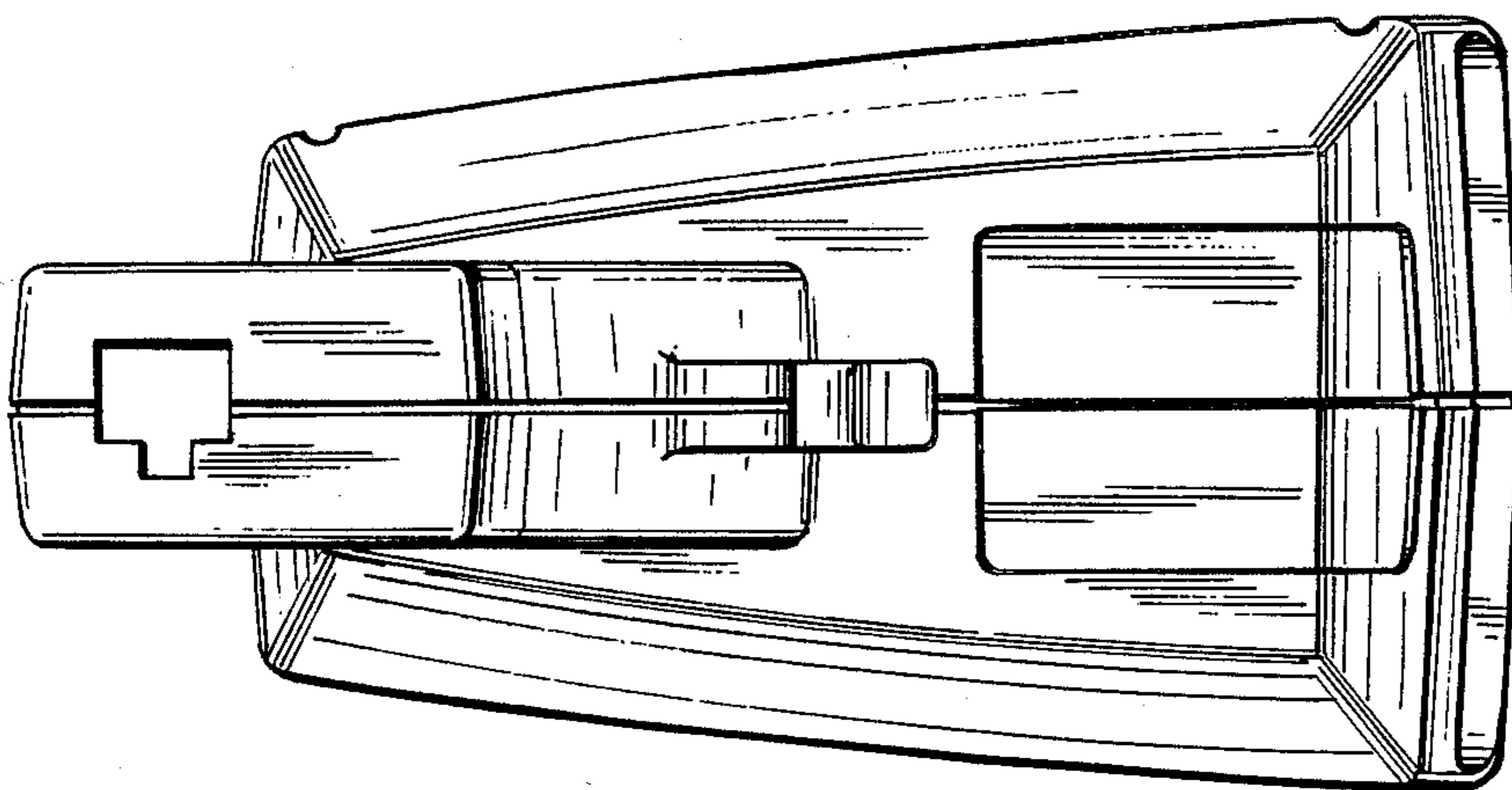


FIG. 5

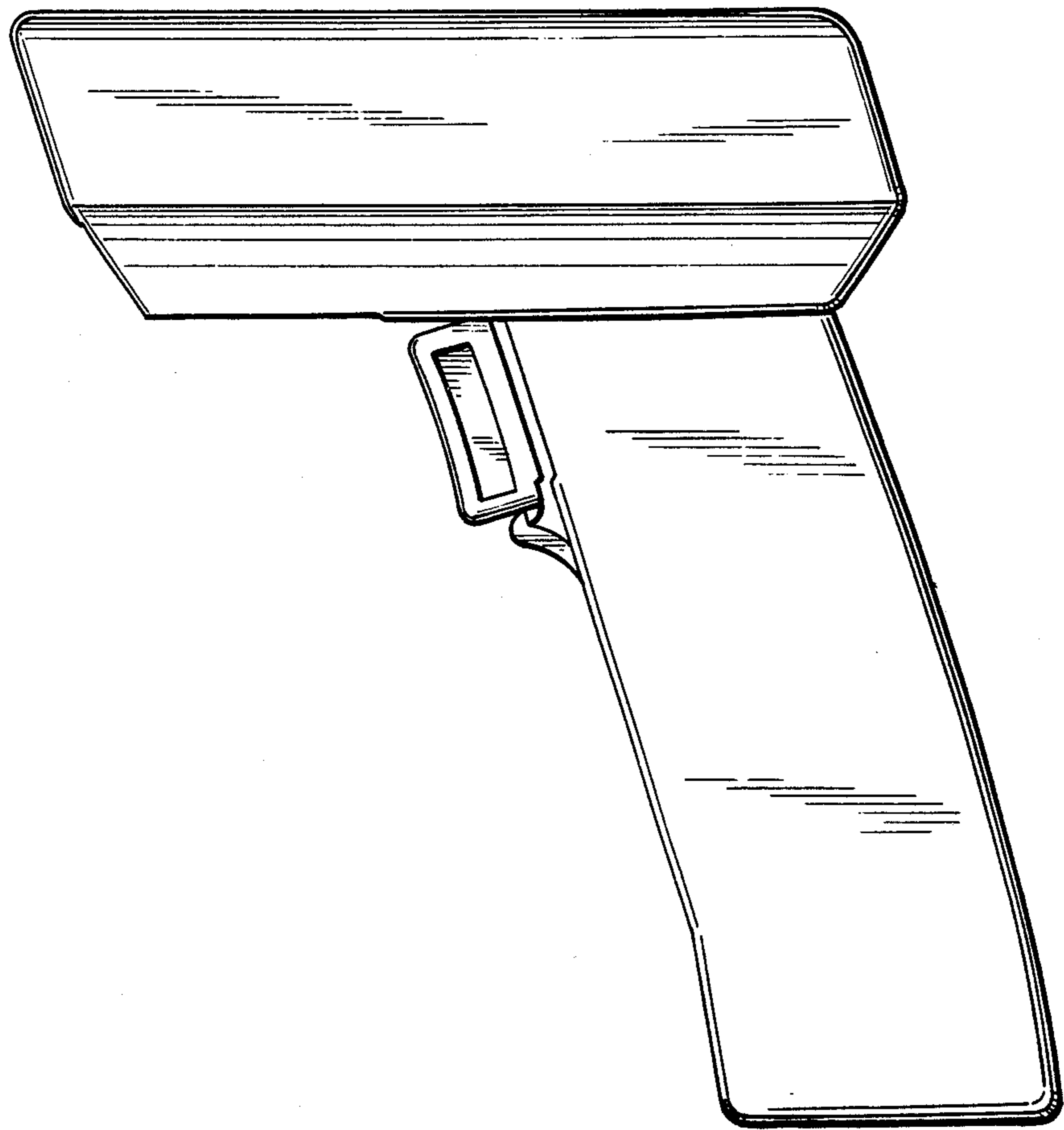


FIG. 6