

[54] CARD READER OR SIMILAR ARTICLE

[75] Inventors: Shuzo Kato; Yasushi Nakamura, both of Hiratsuka, Japan

[73] Assignee: NCR Corporation, Dayton, Ohio

[\*\*] Term: 14 Years

[21] Appl. No.: 101,347

[22] Filed: Sep. 25, 1987

[30] Foreign Application Priority Data

Mar. 30, 1987 [JP] Japan ..... 62-11685

[52] U.S. Cl. .... D14/105

[58] Field of Search ..... D14/100, 105, 107, 114, D14/116; 235/454, 462, 470, 471, 472, 473; 482/475, 479; 250/203 R, 566, 239, 568, 569; 358/408, 473, 474, 497; 354/80, 81, 82; 355/231, 233

[56] References Cited

U.S. PATENT DOCUMENTS

- D. 222,471 10/1971 Shebanow et al. .... D14/107
- D. 225,411 12/1972 Chaffee ..... D14/107
- 3,706,874 12/1972 Lockard ..... 235/473

- 3,801,776 4/1974 Goepfinger et al. .... 235/473
- 3,947,666 3/1976 Carlson ..... 235/454
- 4,277,689 7/1981 Thomas et al. .... 235/482 X
- 4,396,902 8/1983 Warthan et al. .... 235/454 X

OTHER PUBLICATIONS

MAGTEK, Sep. 11, 1986 p. 2, Reader MT-211, Computer Box "Scanners".

Primary Examiner—Susan J. Lucas  
Assistant Examiner—Freda S. Nunn  
Attorney, Agent, or Firm—Wilbert Hawk, Jr.; Albert L. Sessler, Jr.; George J. Muckenthaler

[57] CLAIM

The ornamental design for a card reader or similar article, as shown and described.

DESCRIPTION

FIG. 1 is a perspective view of a card reader or similar article showing our new design;  
FIG. 2 is a front elevational view thereof;  
FIG. 3 is a rear elevational view thereof;  
FIG. 4 is a right side elevational view thereof;  
FIG. 5 is a left side elevational view thereof;  
FIG. 6 is a top plan view thereof.

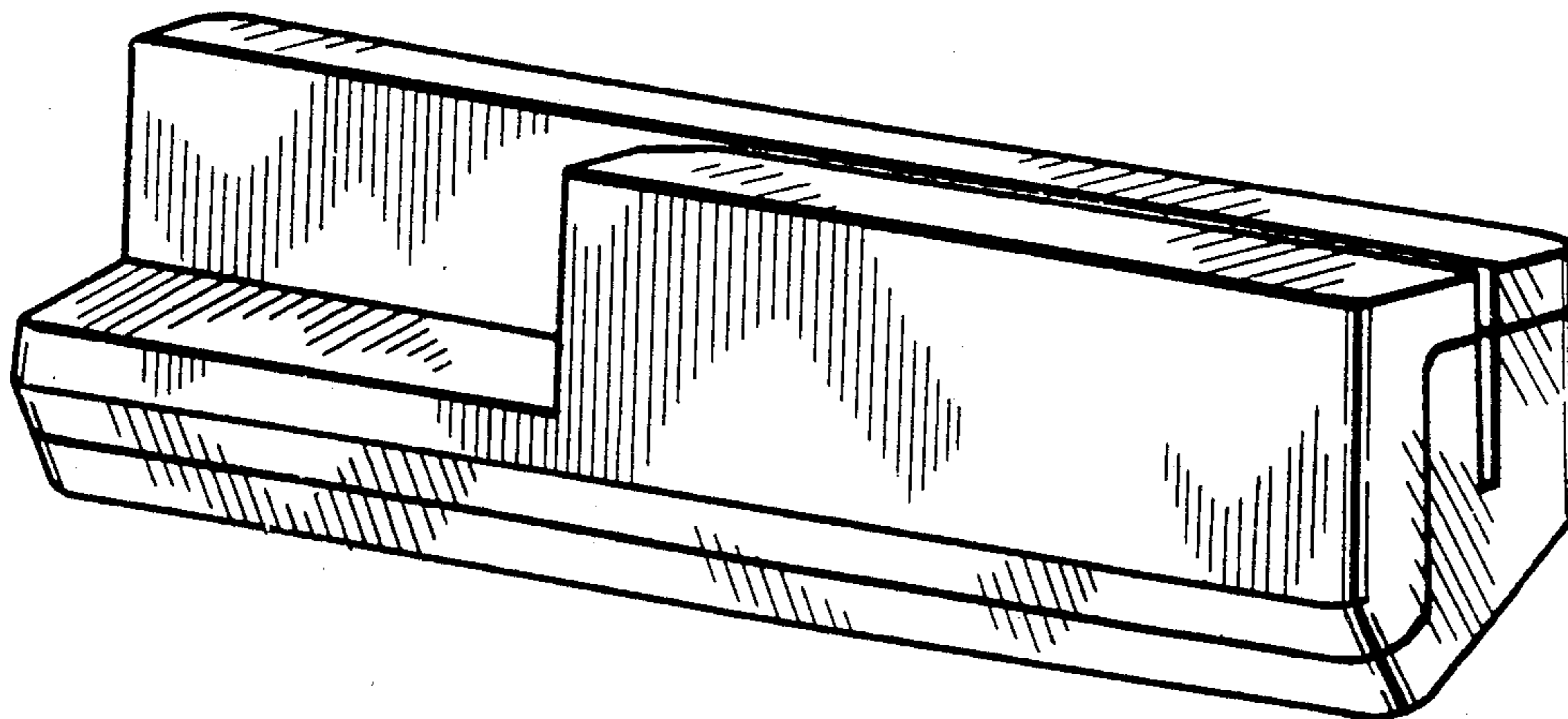


FIG. 1

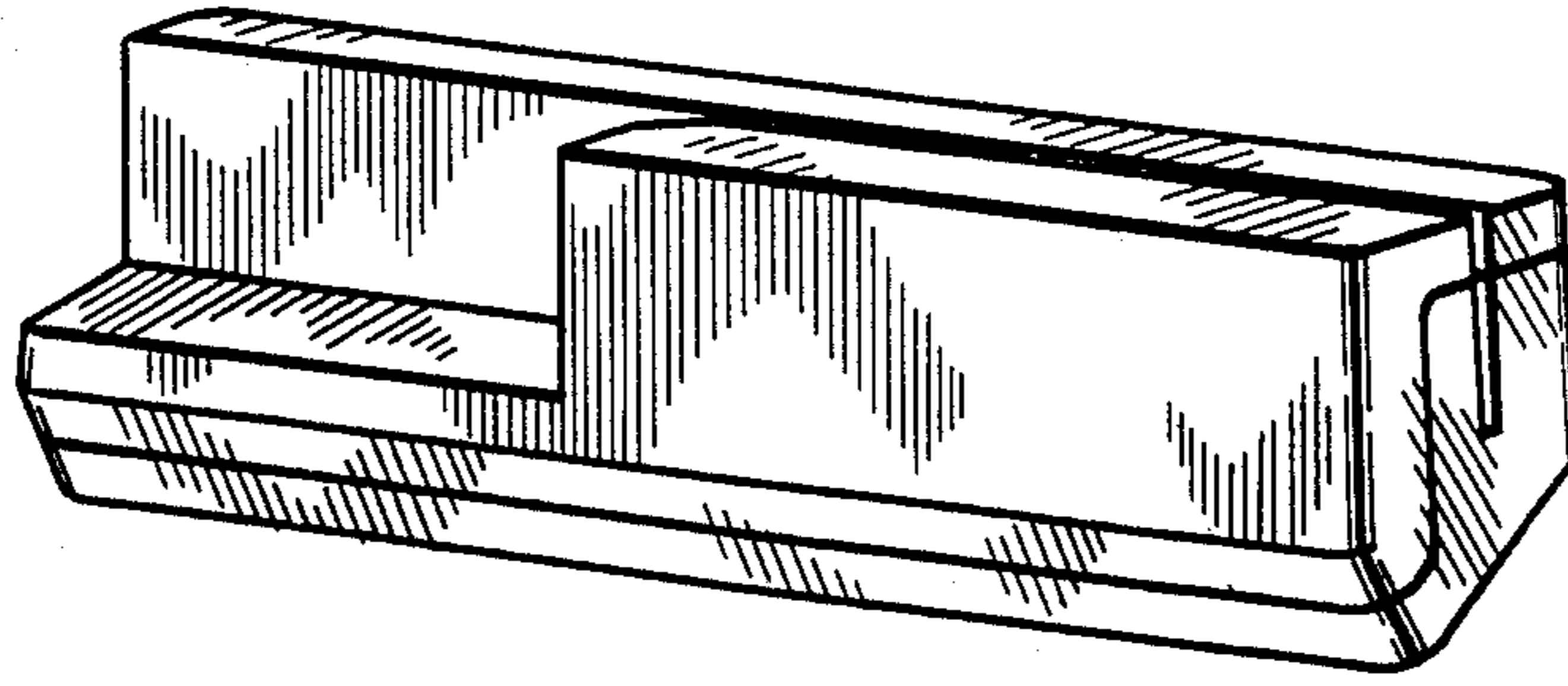


FIG. 2

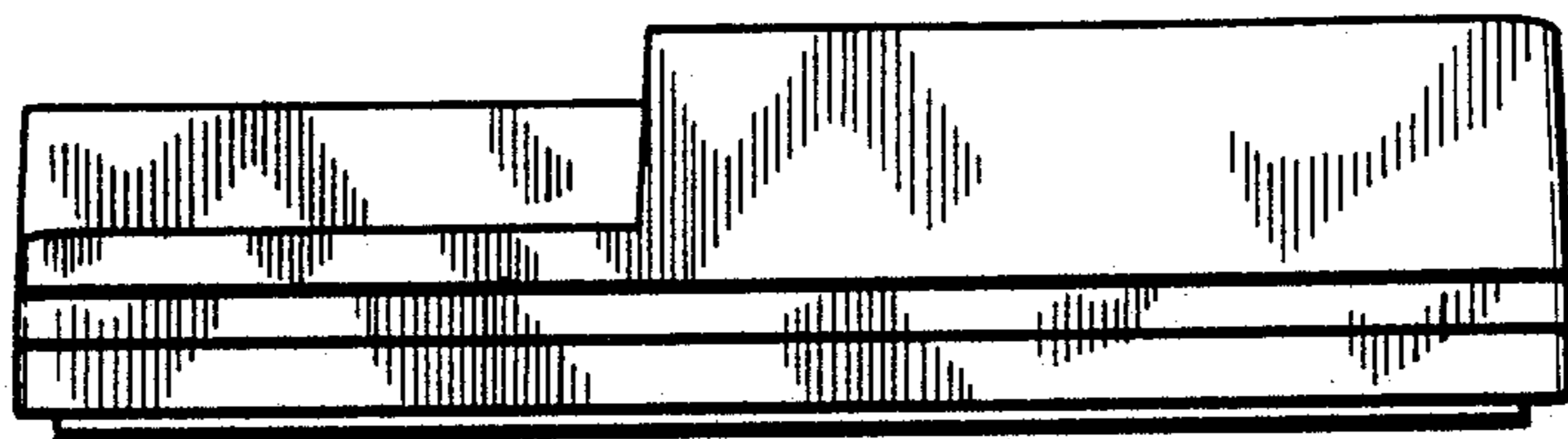


FIG. 3

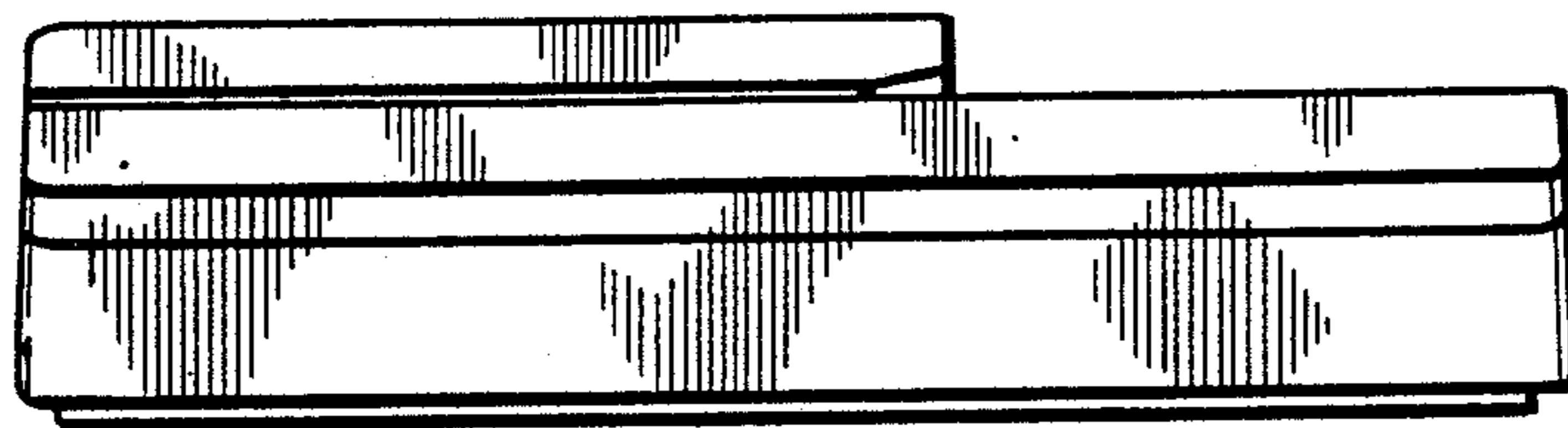


FIG. 5

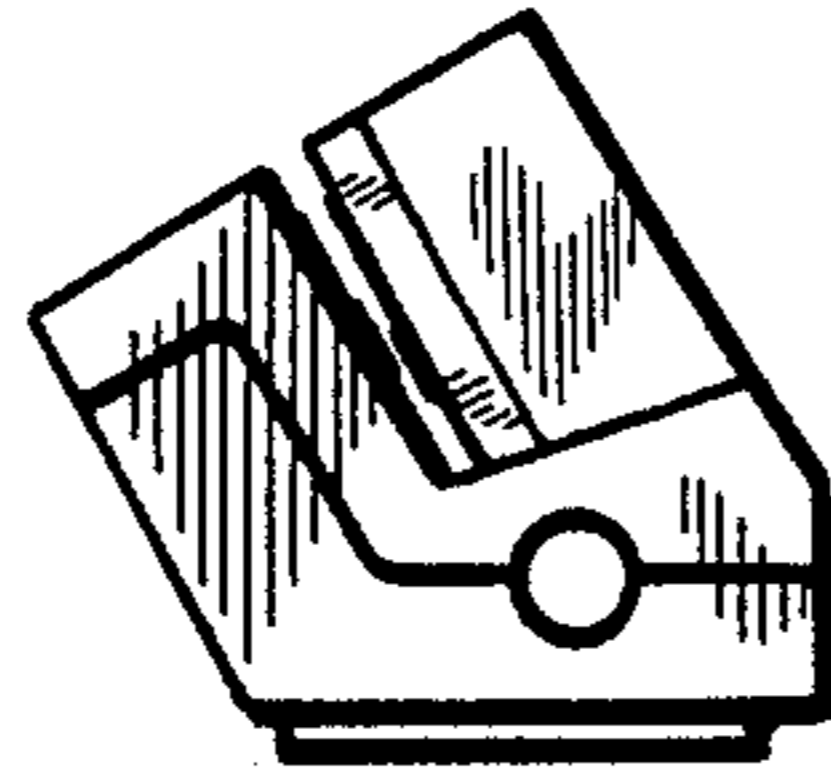


FIG. 4

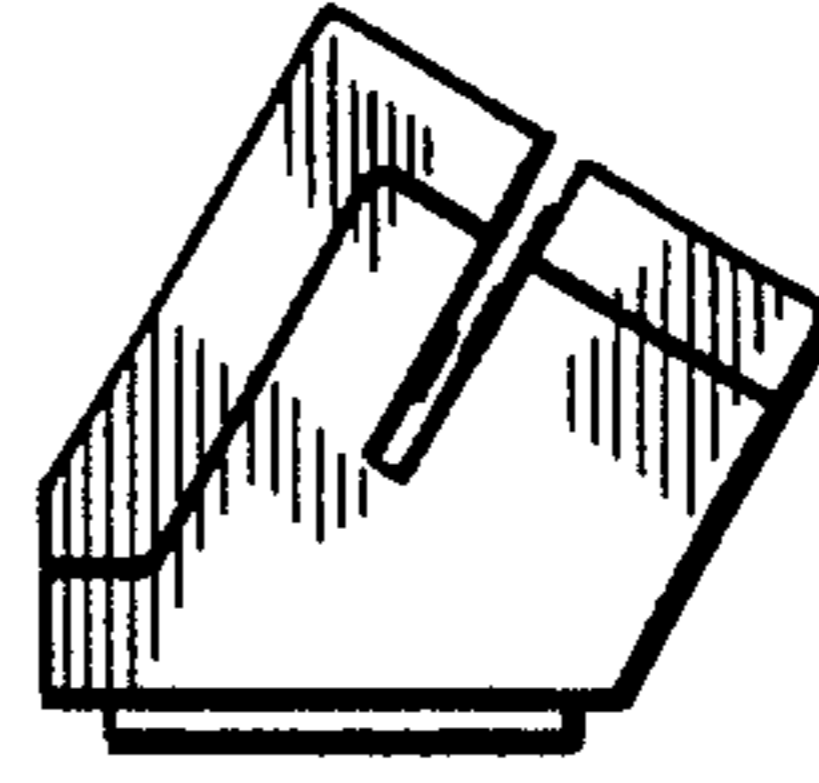


FIG. 6

