

[54] POWER GENERATOR

[75] Inventors: Jun Ito; Takeshi Yamaguchi, both of Wako, Japan

[73] Assignee: Honda Giken Kogyo Kabushiki Kaisha, Tokyo, Japan

[**] Term: 14 Years

[21] Appl. No.: 870,791

[22] Filed: Jun. 5, 1986

[52] U.S. Cl. D13/2

[58] Field of Search D13/1, 2, 3; 290/1 A, 290/1 B; 123/2, 198 E; 307/150; 310/159

[56] References Cited

U.S. PATENT DOCUMENTS

- D. 275,946 10/1984 Ekuan D13/1
- D. 276,515 11/1984 Yaguchi D13/1
- D. 281,492 11/1985 Yaguchi D13/2
- D. 282,252 1/1986 Yamaguchi et al. D13/2
- D. 291,432 8/1987 Yaguchi D13/2

- 4,595,841 6/1986 Yaguchi D13/1
- 4,608,946 9/1986 Tanaka et al. D13/3
- 4,622,923 11/1986 Nishimura et al. 290/1 B X

FOREIGN PATENT DOCUMENTS

- 0197417 11/1983 Japan 123/2

Primary Examiner—Susan J. Lucas
Assistant Examiner—Joel Sincavage
Attorney, Agent, or Firm—Wenderoth, Lind & Ponack

[57] CLAIM

The ornamental design for a power generator, as shown.

DESCRIPTION

FIG. 1 is a front elevational view of a power generator showing our new design;
FIG. 2 is a left side elevational view thereof;
FIG. 3 is a top plan view thereof;
FIG. 4 is a right side elevational view thereof;
FIG. 5 is a bottom plan view thereof;
FIG. 6 is a rear elevational view thereof; and
FIG. 7 is a perspective view thereof.

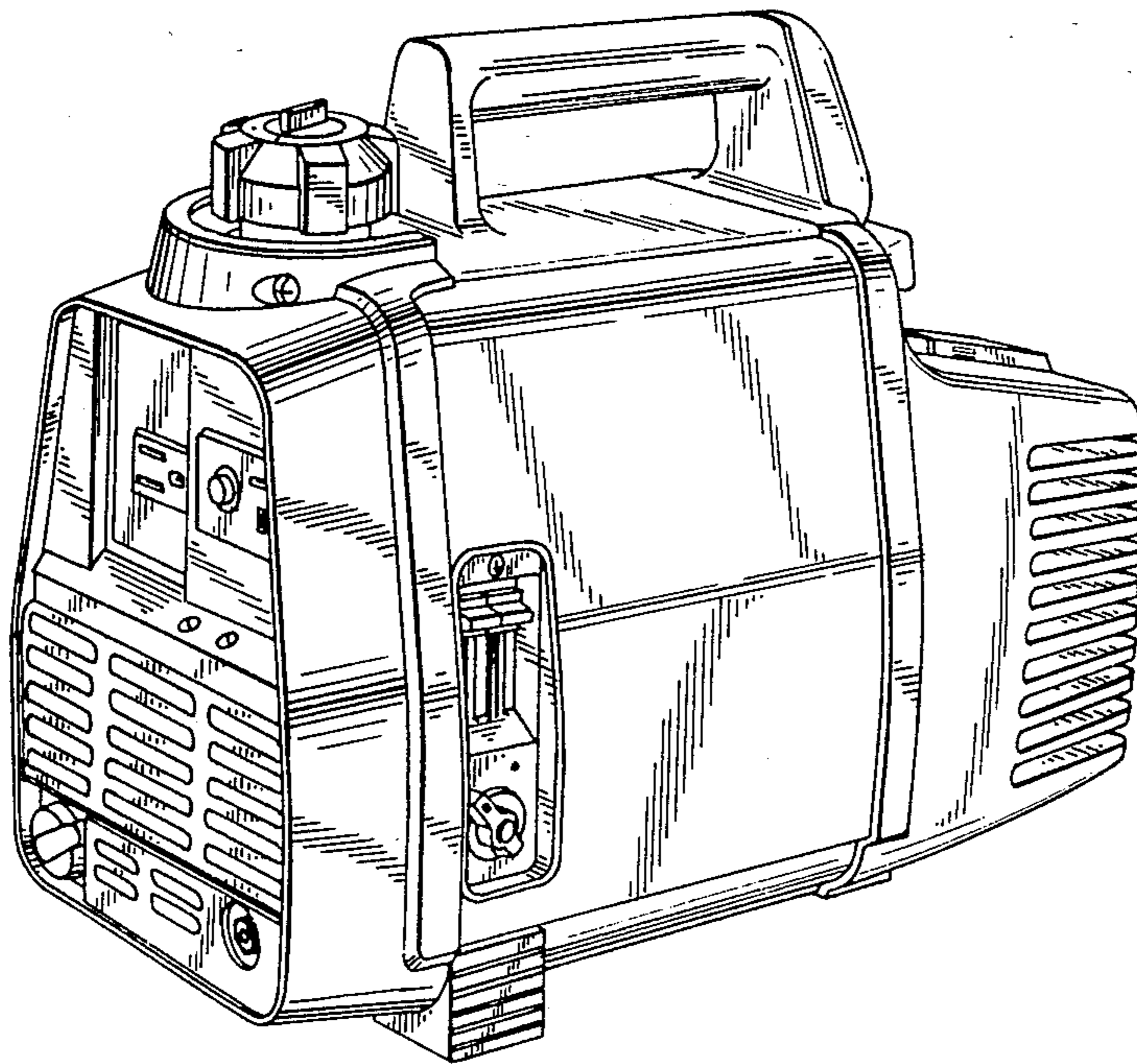


FIG. 1

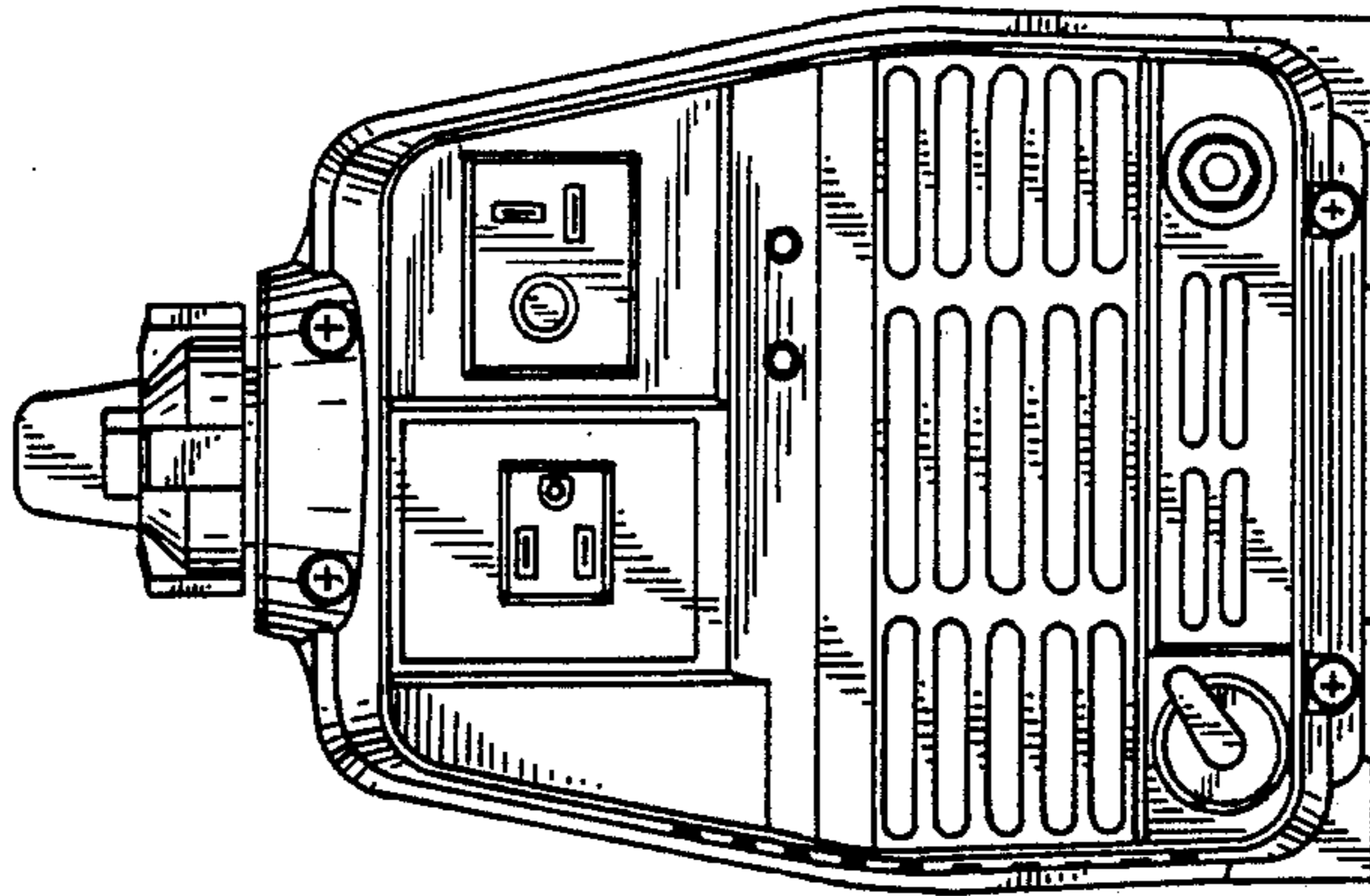


FIG. 2

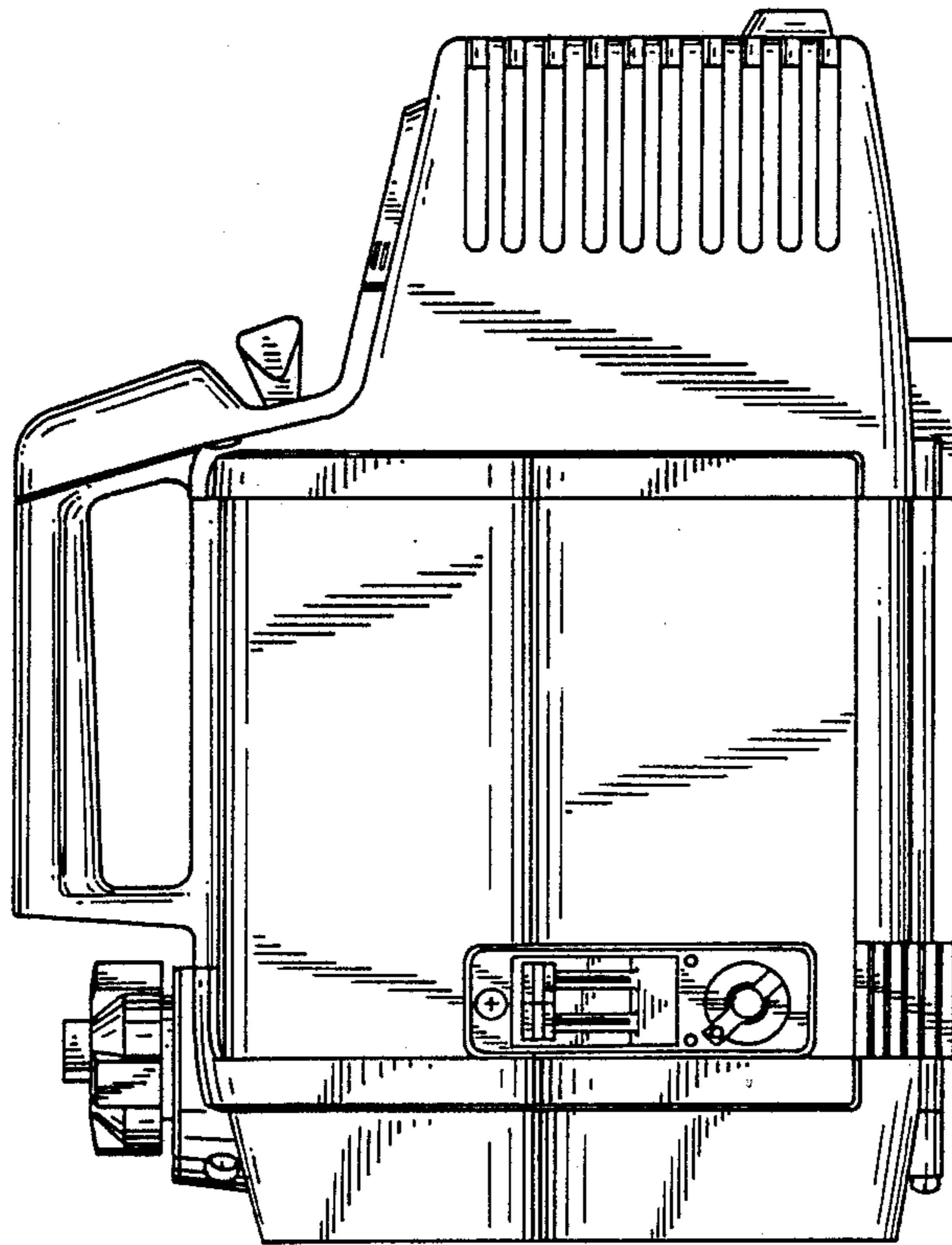


FIG. 3

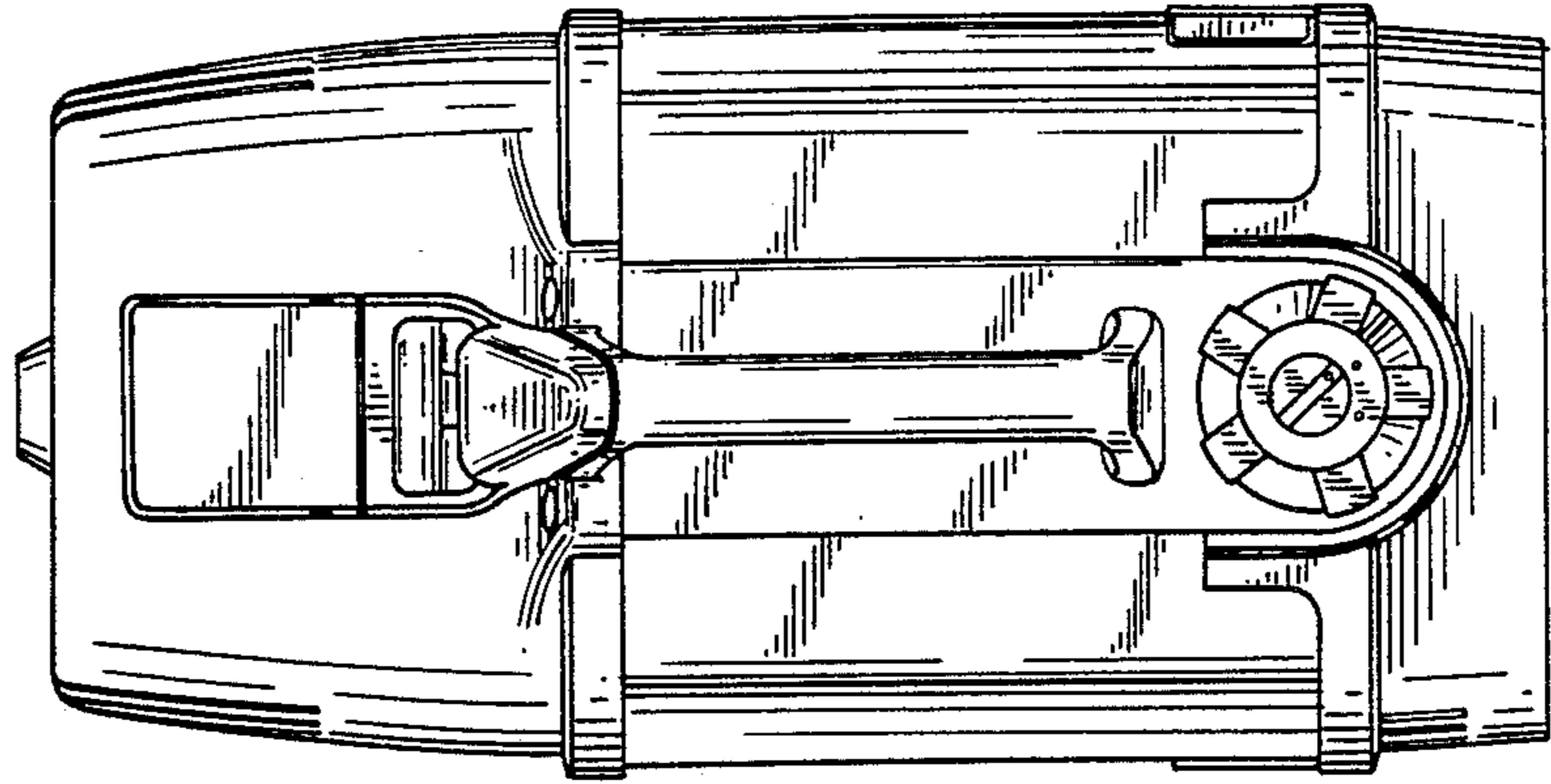


FIG. 4

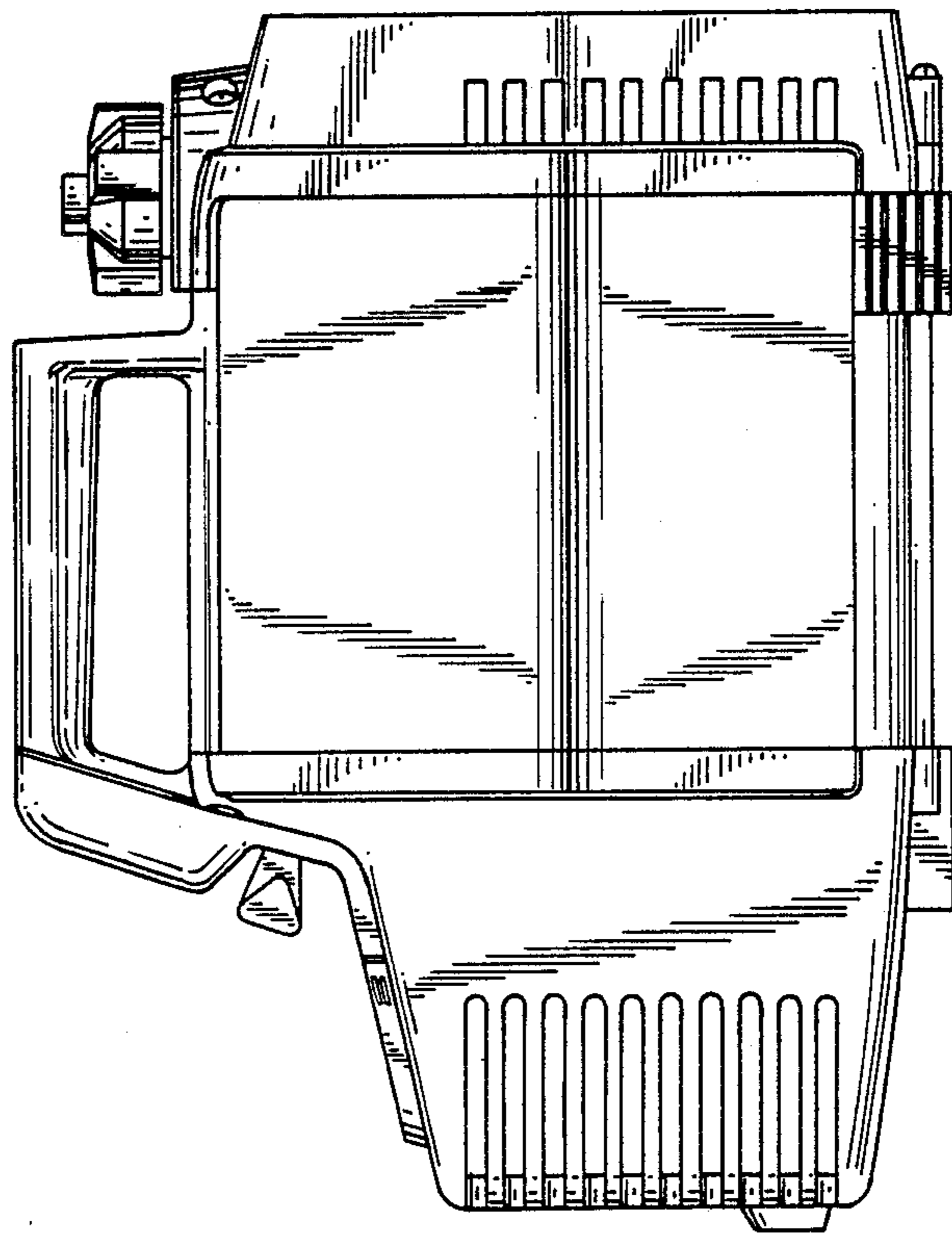


FIG. 5

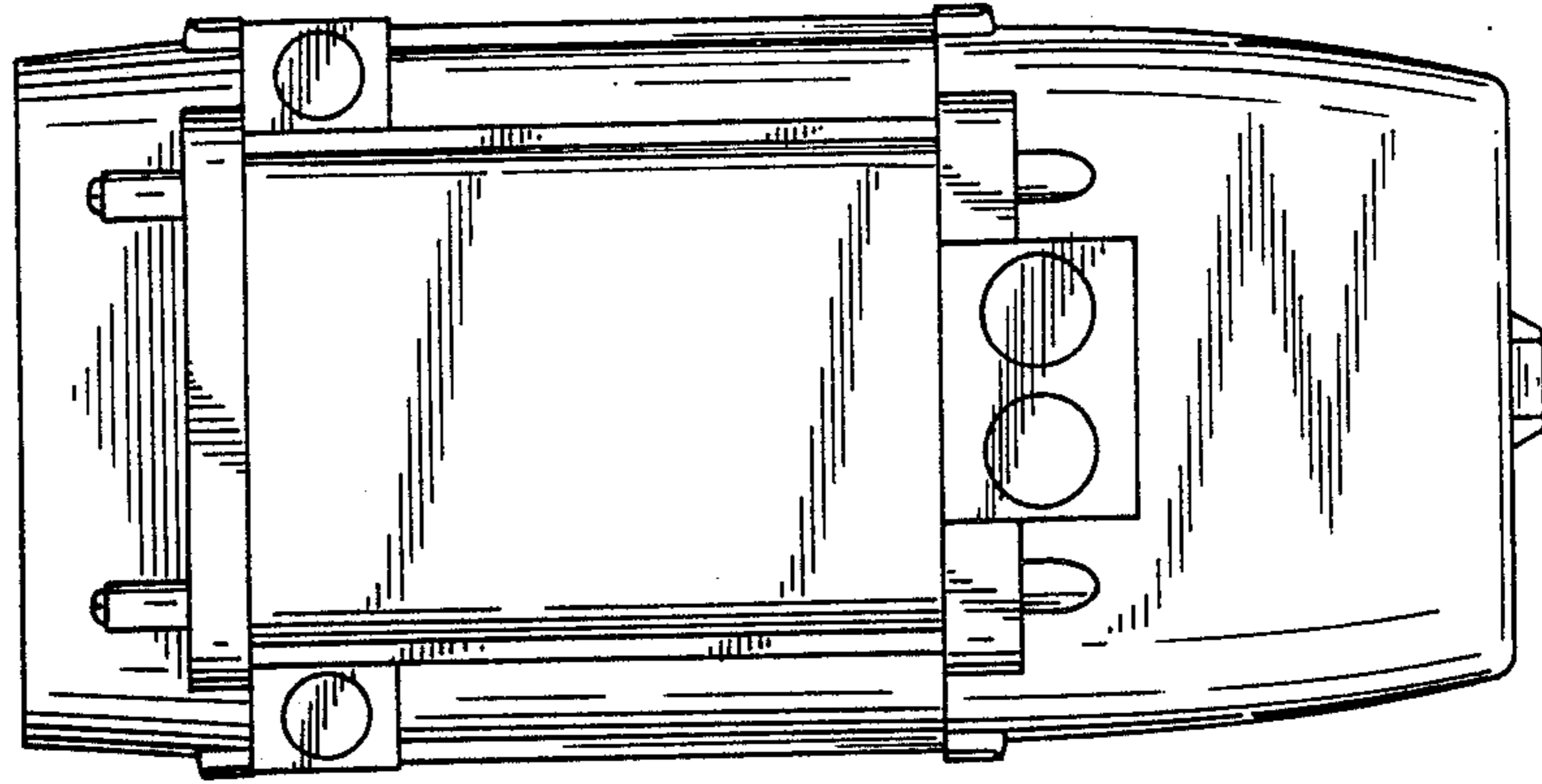


FIG. 6

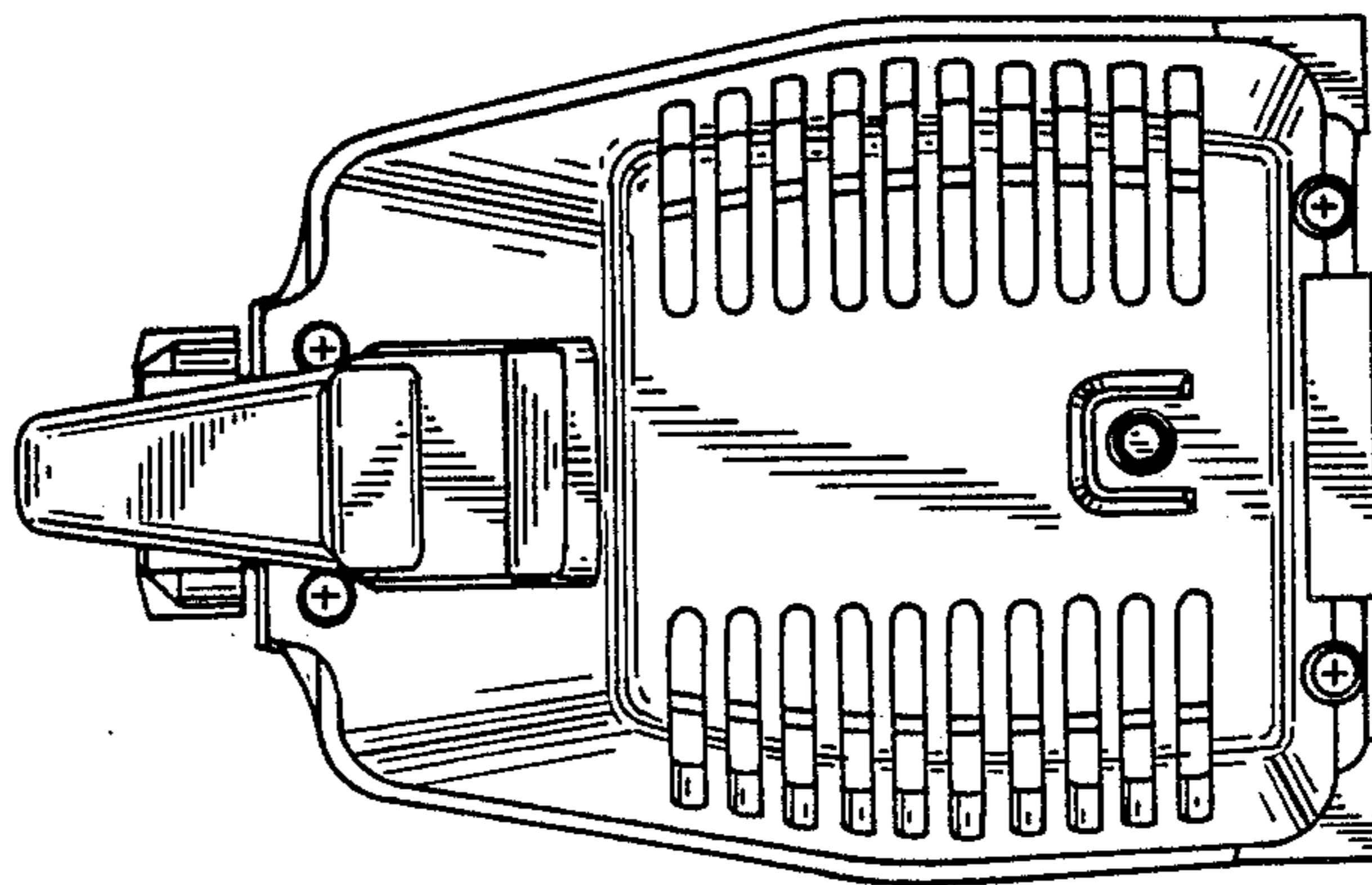


FIG. 7

