

[54] **PLANT HOLDER**

[75] **Inventor:** **Kenneth P. Morritt, deceased**, late of Cheltenham, Great Britain; **Kenneth Morritt, executor**, Cheltenham; **Robin Morritt, executor**, Andoversford, both of England

[73] **Assignee:** **Rokes Limited**, Cheltenham, England

[\*\*] **Term:** **14 Years**

[21] **Appl. No.:** **38,531**

[22] **Filed:** **Apr. 14, 1987**

[30] **Foreign Application Priority Data**

Oct. 14, 1986 [GB] United Kingdom ..... 1037393  
[52] **U.S. Cl.** ..... **D11/143**  
[58] **Field of Search** ..... **D11/143-156;**  
**47/66, 72; D34/1**

[56] **References Cited**

**U.S. PATENT DOCUMENTS**

D. 86,642	3/1932	Schott .....	D34/1
D. 285,849	9/1986	Hughes .....	D34/1
756,406	4/1904	Puddefoot et al. ....	D11/143
2,115,654	4/1938	Swofford .....	D11/154
3,195,272	7/1965	Mosher et al. ....	47/73
3,288,340	11/1966	Shapiro et al. ....	D11/143
4,715,144	12/1987	Lee .....	47/66

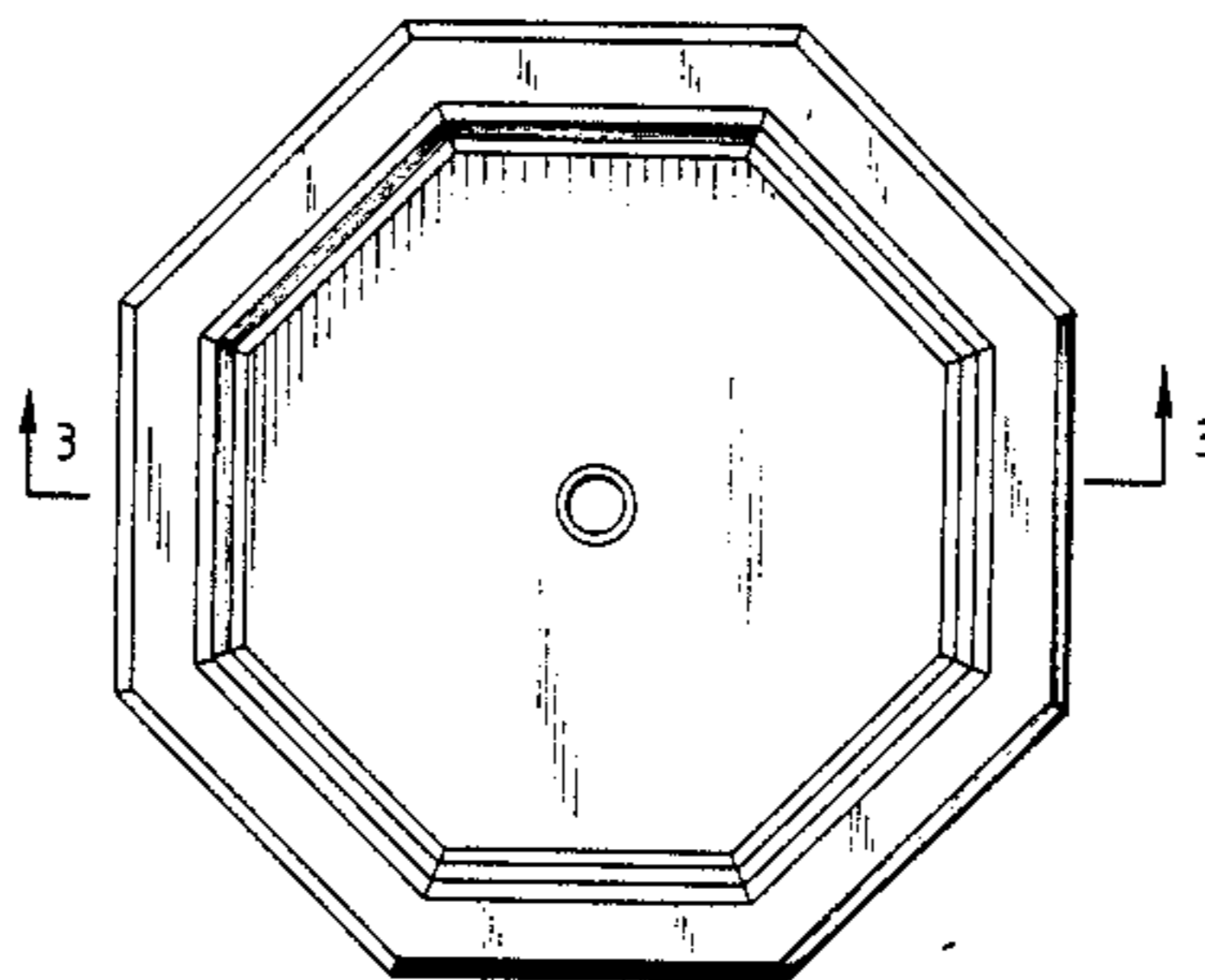
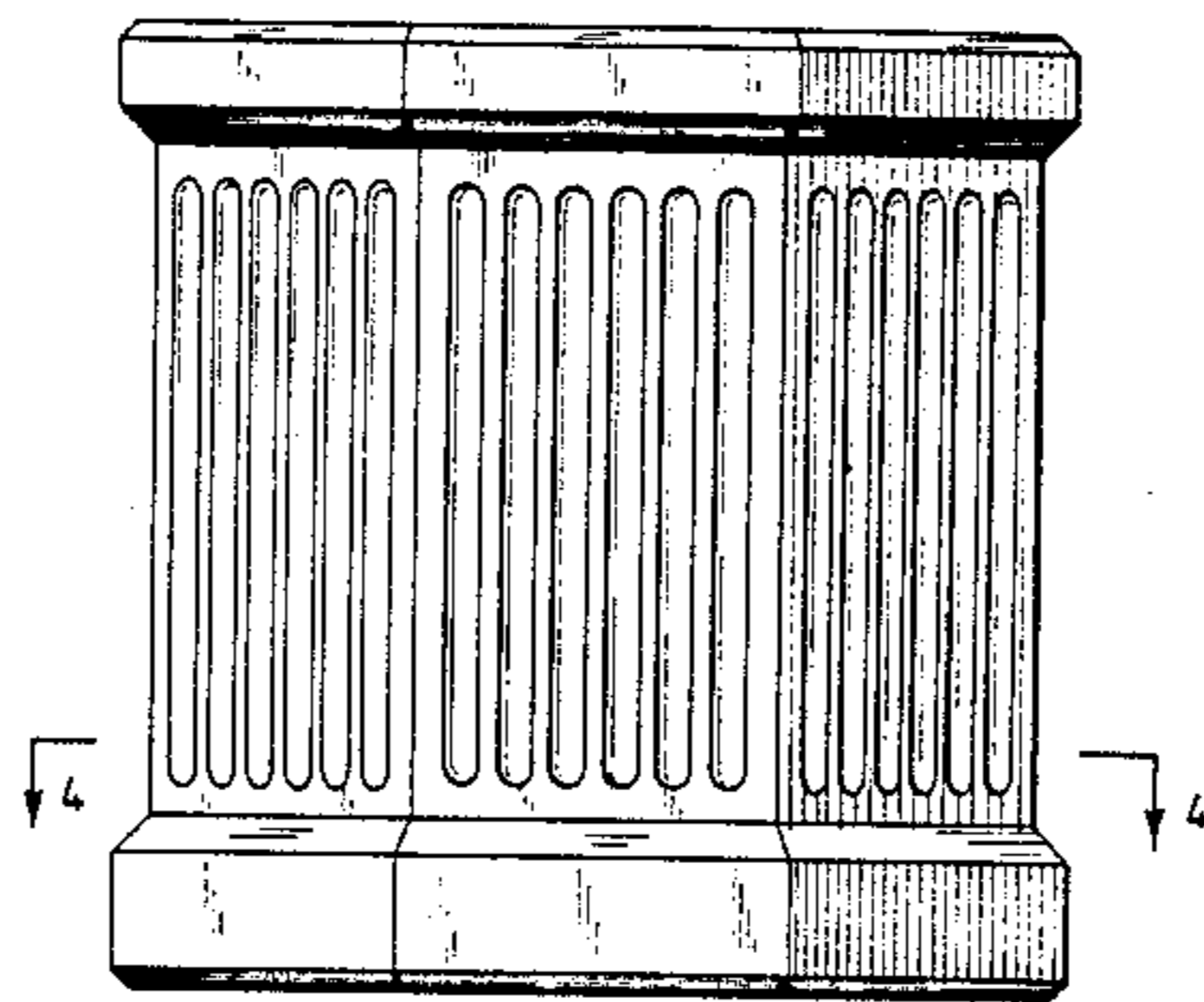
*Primary Examiner*—B. J. Bullock  
*Attorney, Agent, or Firm*—Young & Thompson

[57] **CLAIM**

The ornamental design for a plant holder, as shown.

**DESCRIPTION**

FIG. 1 is a side view of the plant holder, showing my new design;  
FIG. 2 is a top view thereof;  
FIG. 3 is a sectional view taken in the direction of the arrows on line 3—3 of FIG. 2;  
FIG. 4 is a sectional view taken in the direction of the arrows on line 4—4 of FIG. 1; and  
FIG. 5 is a bottom view thereof.



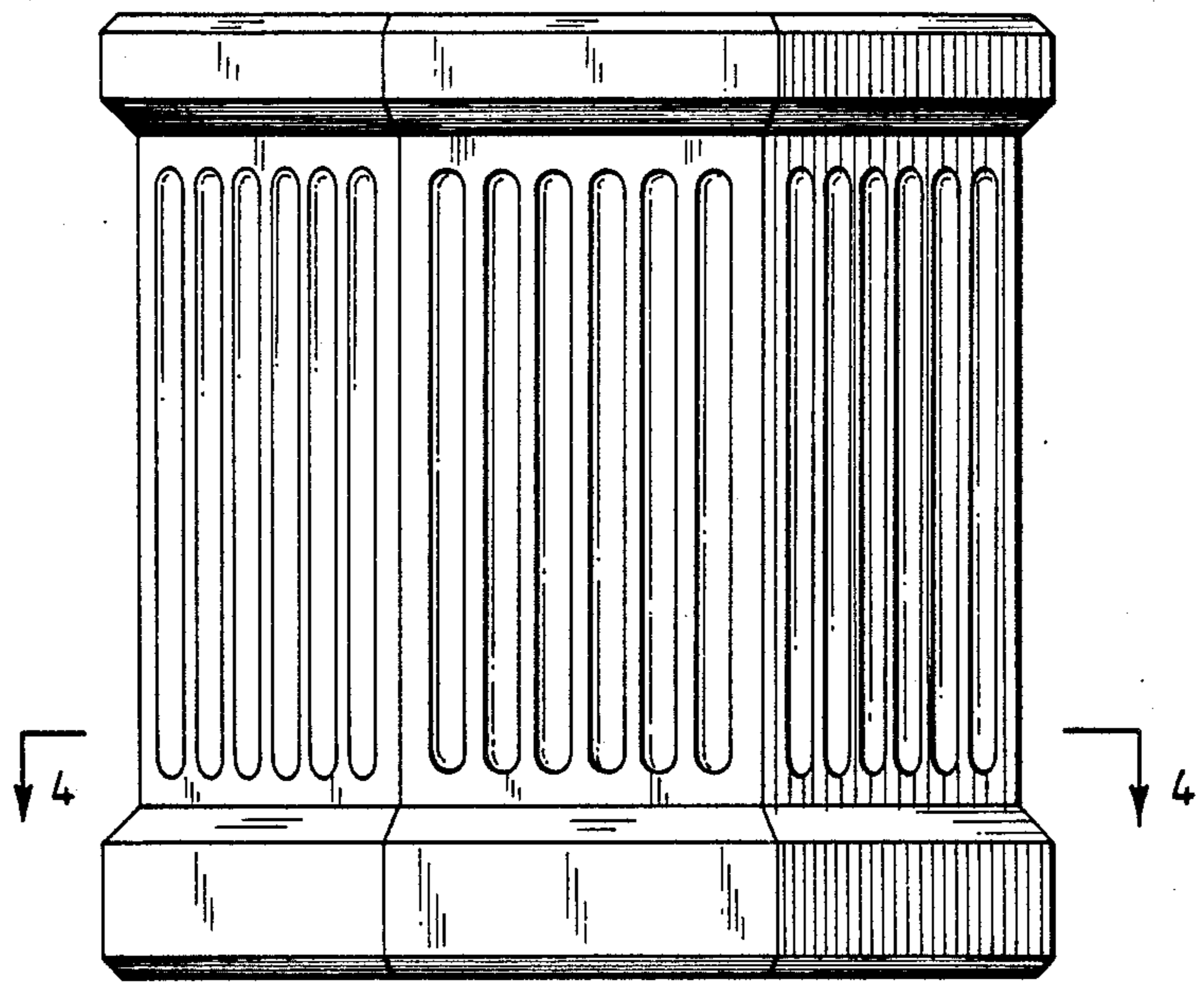


FIG 1

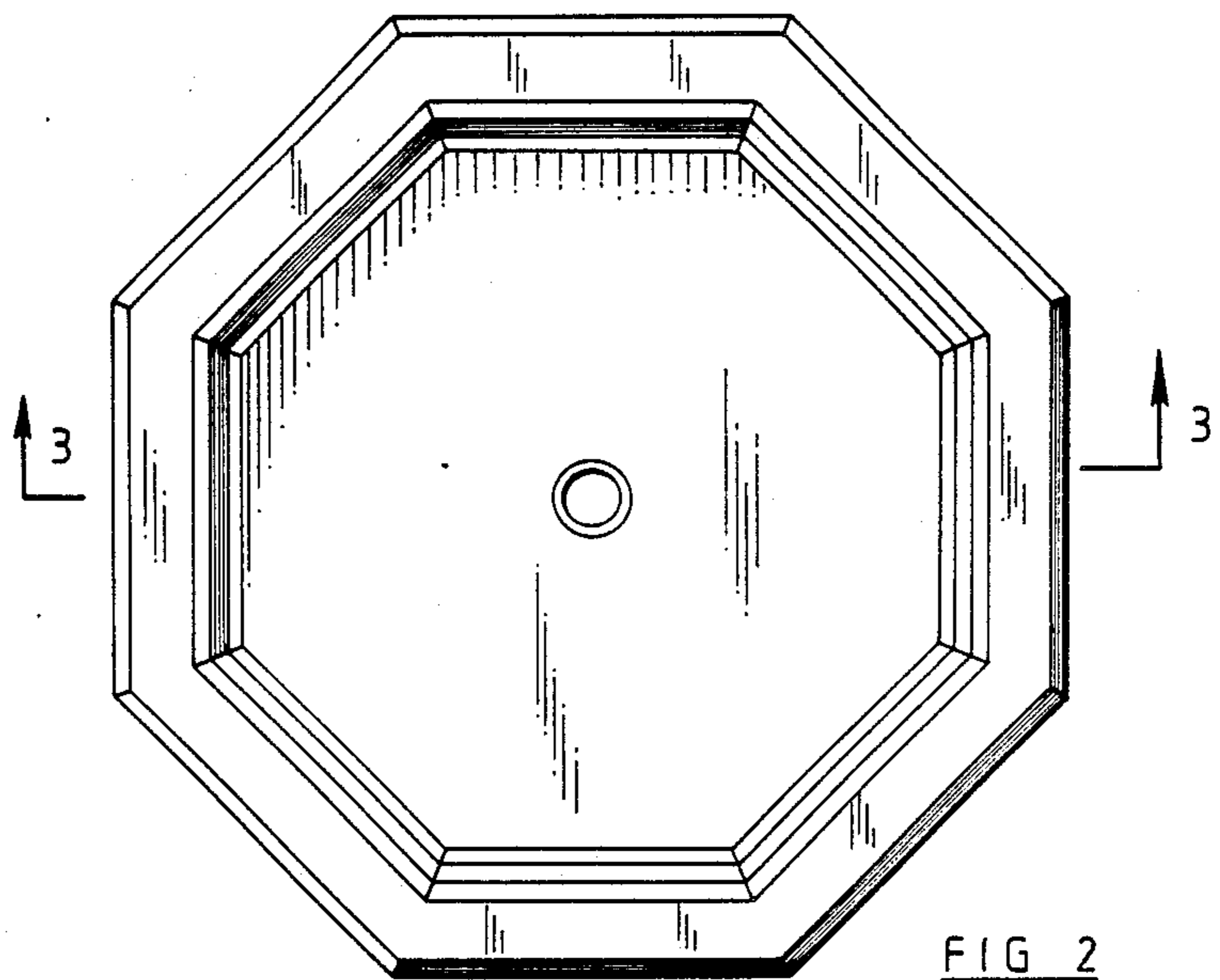


FIG 2

FIG. 3

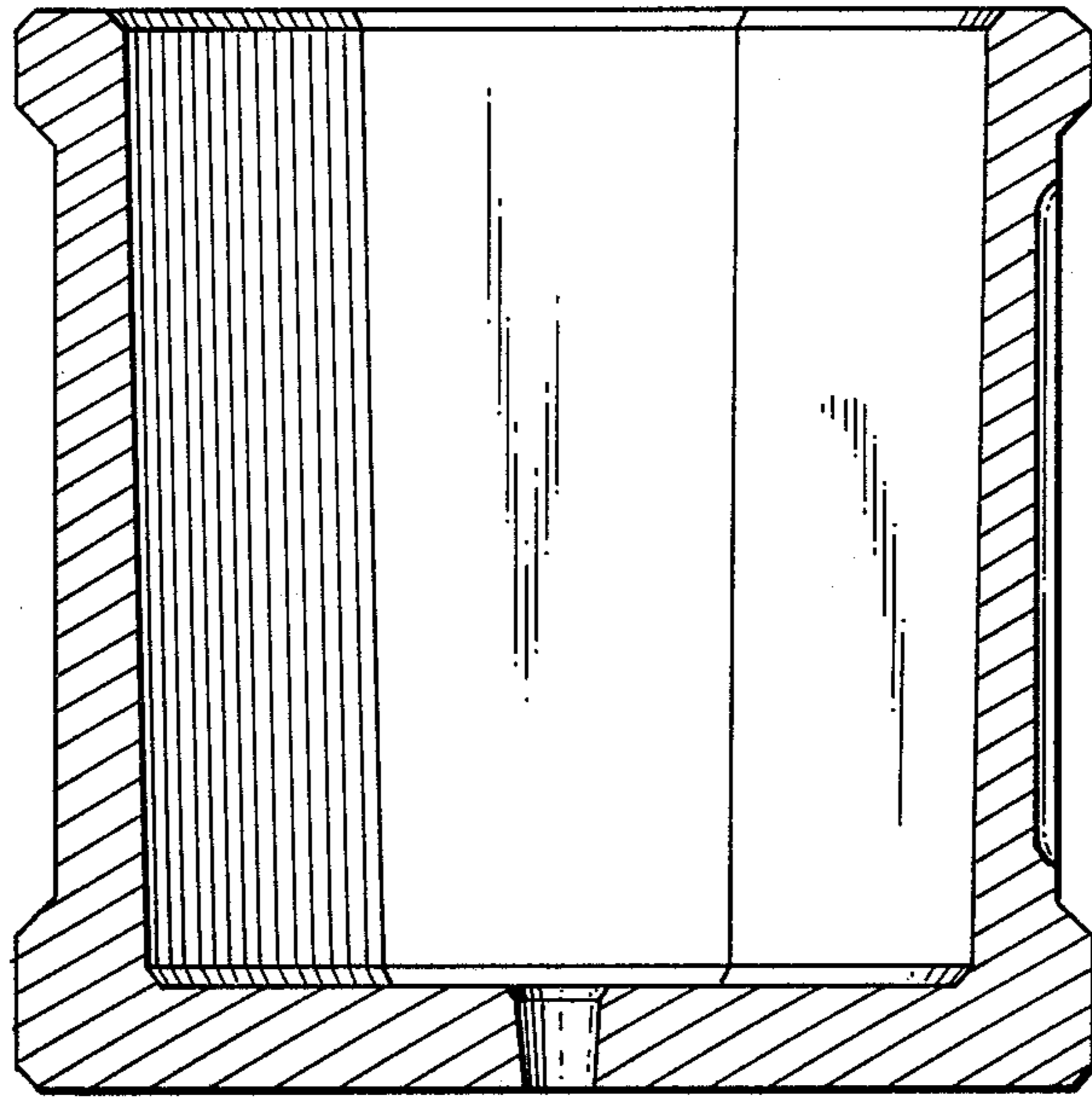
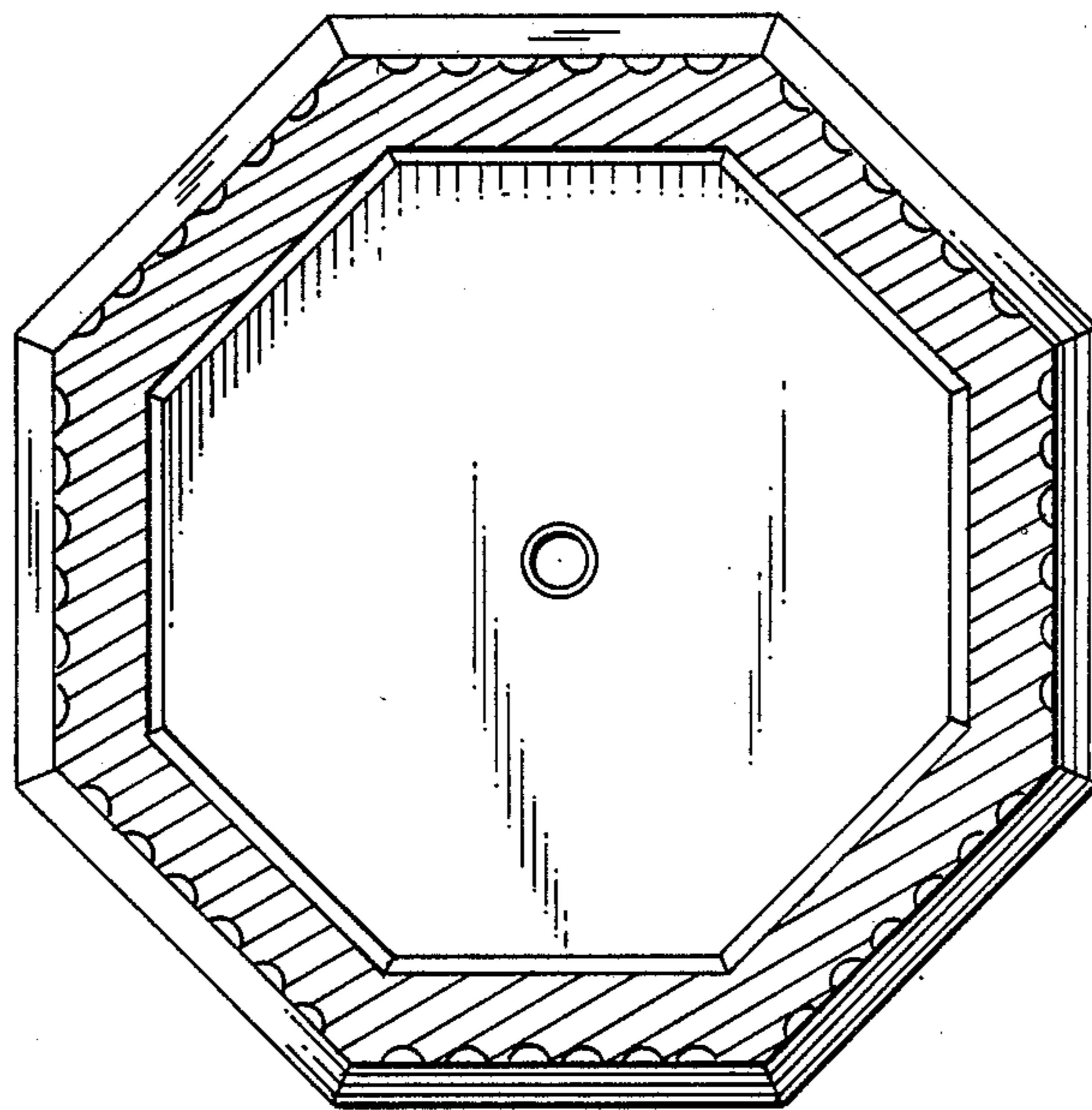


FIG. 4



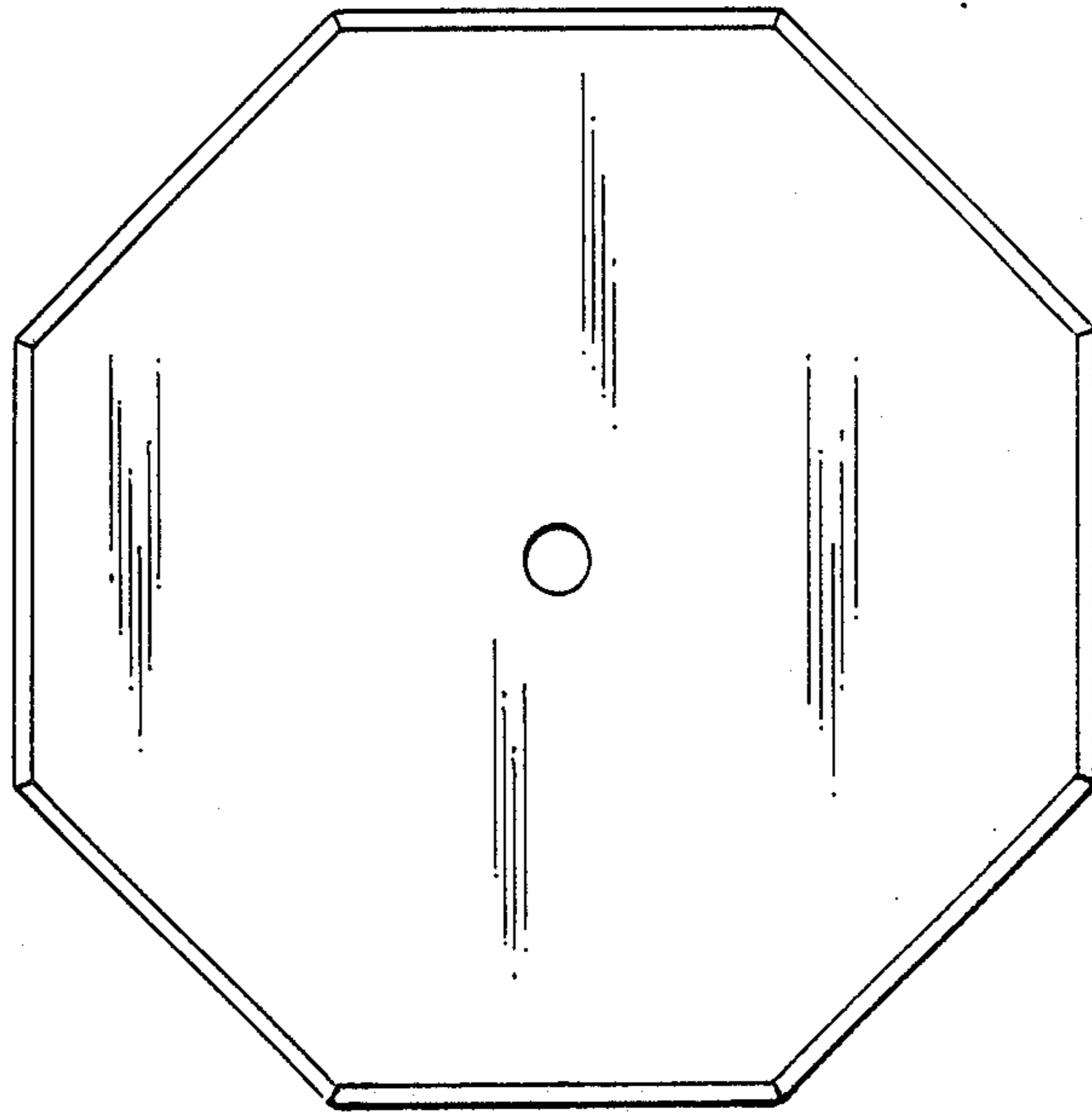


FIG 5