

[54] TREAD AND RISER STAIR GAUGE

[76] Inventor: Ronald J. Bisson, RFD, Hardwick, Vt. 05836

[\*\*] Term: 14 Years

[21] Appl. No.: 836,446

[22] Filed: Feb. 10, 1986

[52] U.S. Cl. .... D10/62; D10/65

[58] Field of Search ..... D10/61-65; 33/461, 462

[56] References Cited

U.S. PATENT DOCUMENTS

D. 287,944	1/1987	Hewston	.....	D10/64
759,319	5/1904	Schumacher	.....	33/461
847,720	3/1907	Barbo	.....	33/462
1,205,687	11/1916	Verhey	.....	33/462
1,244,570	10/1917	Woods	.....	33/462

1,261,596	4/1918	Murvine	.....	33/462
1,489,789	4/1924	Ryan	.....	33/461
1,624,535	4/1927	Christianson	.....	33/461
3,991,474	11/1976	Rath	.....	33/462

Primary Examiner—Nelson C. Holtje  
Attorney, Agent, or Firm—John J. Welch, Jr.

[57] CLAIM

The ornamental design for a tread and riser stair gauge, as shown and described above.

DESCRIPTION

FIG. 1 is a top and left front perspective view of a tread and riser stair gauge showing my new design; FIG. 2 is an enlarged top plan view thereof showing the left-center portions with the ends broken away for ease of illustration.

FIG. 3 is a right end elevational view thereof; FIG. 4 is a left end elevational view thereof; FIG. 5 is a bottom plan view thereof.

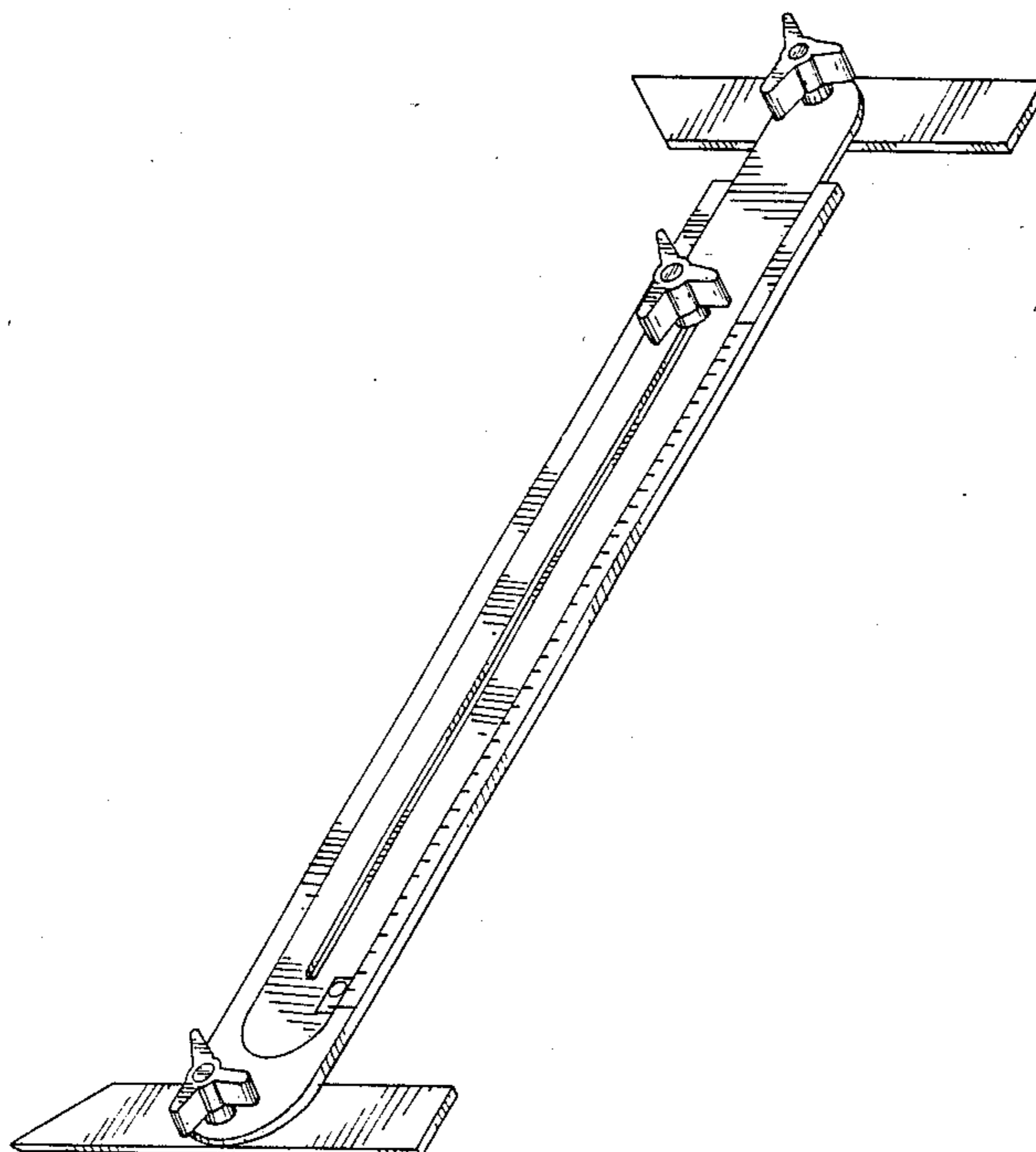
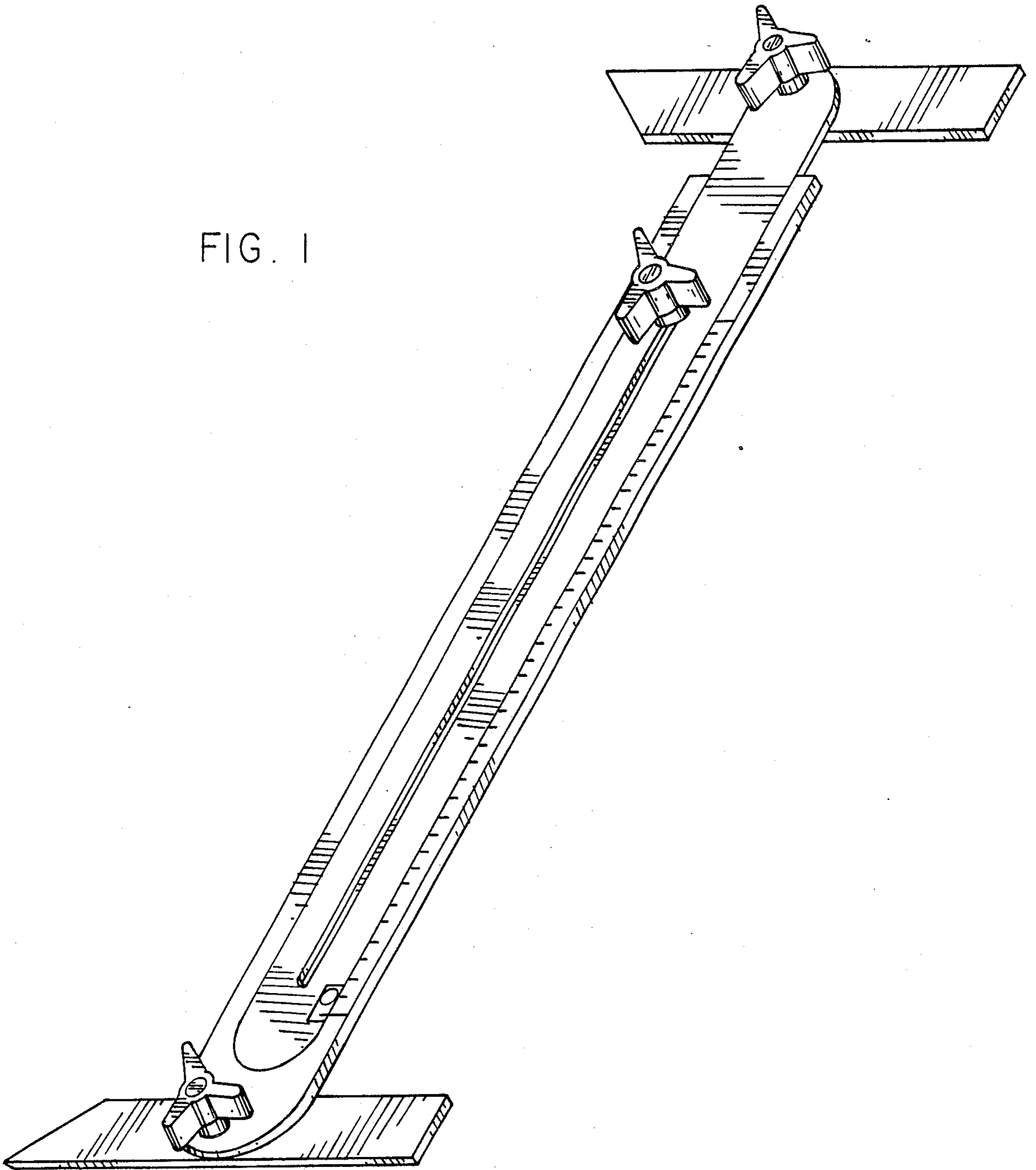


FIG. 1



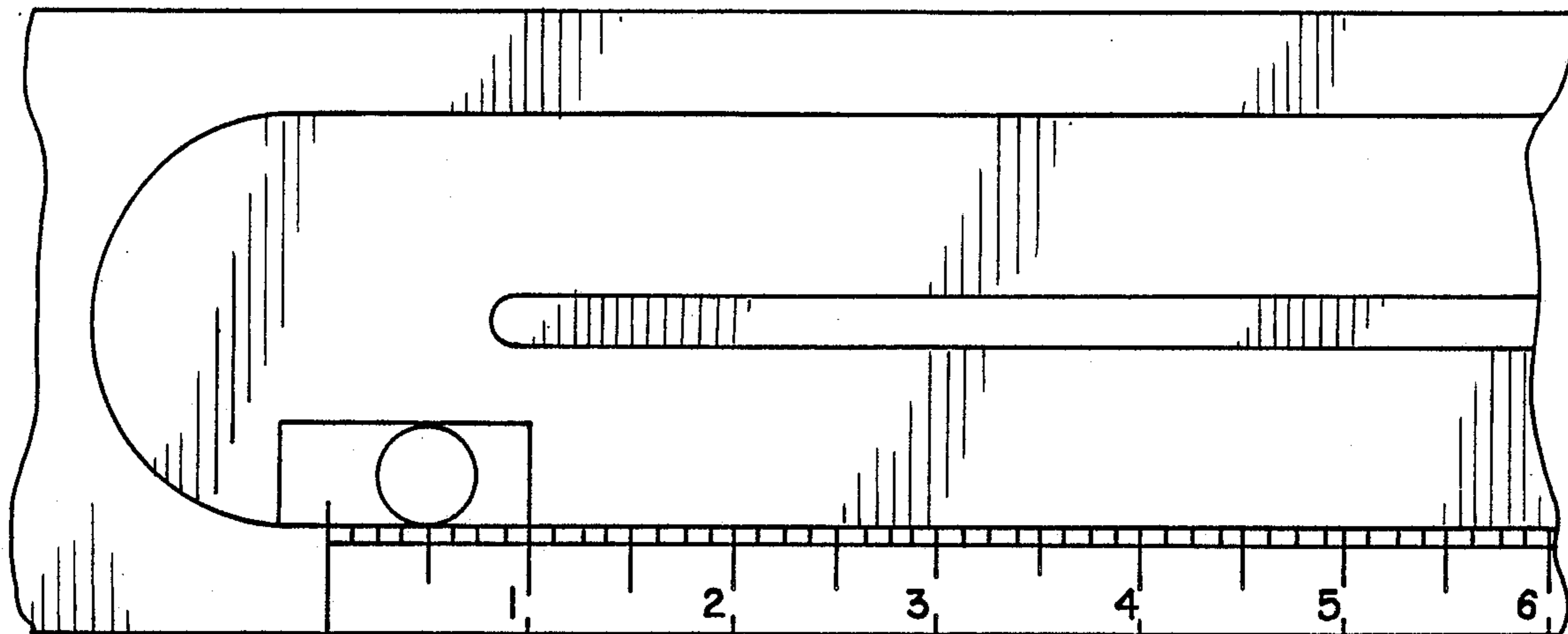


FIG. 2

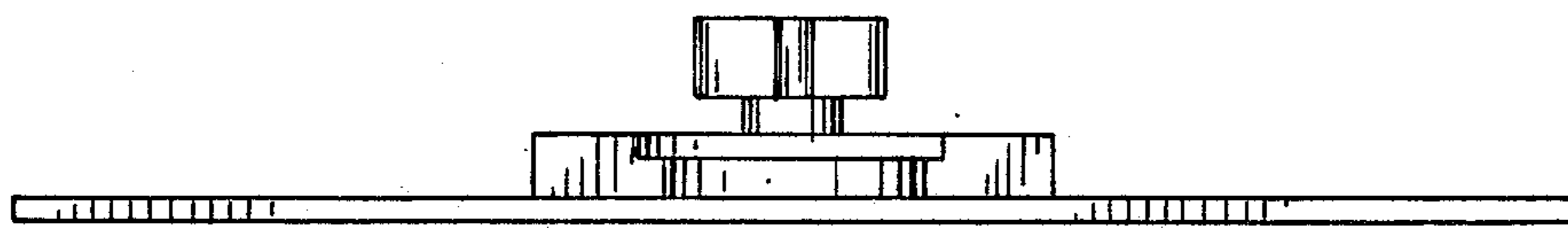


FIG. 3

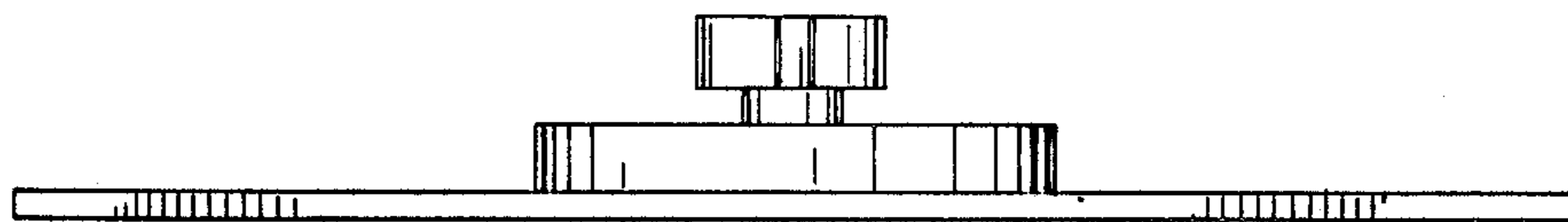


FIG. 4

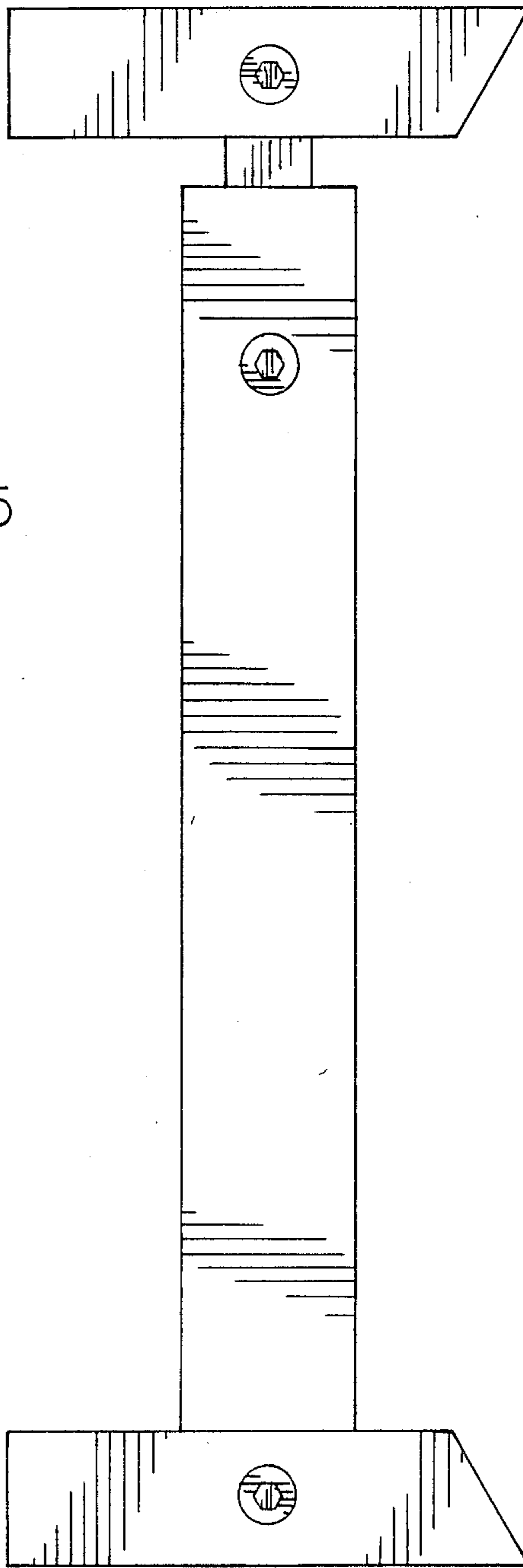


FIG. 5