

[54] CONNECTOR FOR FOLDING CRATES

4,470,647 9/1984 Bishoff et al. 312/140
4,493,425 1/1985 Yoshida 403/171

[76] Inventor: Jam Sun, No. 39, Lane 106, Sec. 7,
Yen-Ping N. Rd., Taipei, Taiwan

Primary Examiner—B. J. Bullock
Attorney, Agent, or Firm—Bernard R. Gans

[**] Term: 14 Years

[57] CLAIM

[21] Appl. No.: 2,187

The ornamental design for a connector for folding
crates, as shown and described.

[22] Filed: Jan. 12, 1987

[52] U.S. Cl. D8/382; D8/394

[58] Field of Search D8/382, 394; 403/286,
403/405.1, 397, 171, 205; 211/182; 312/140

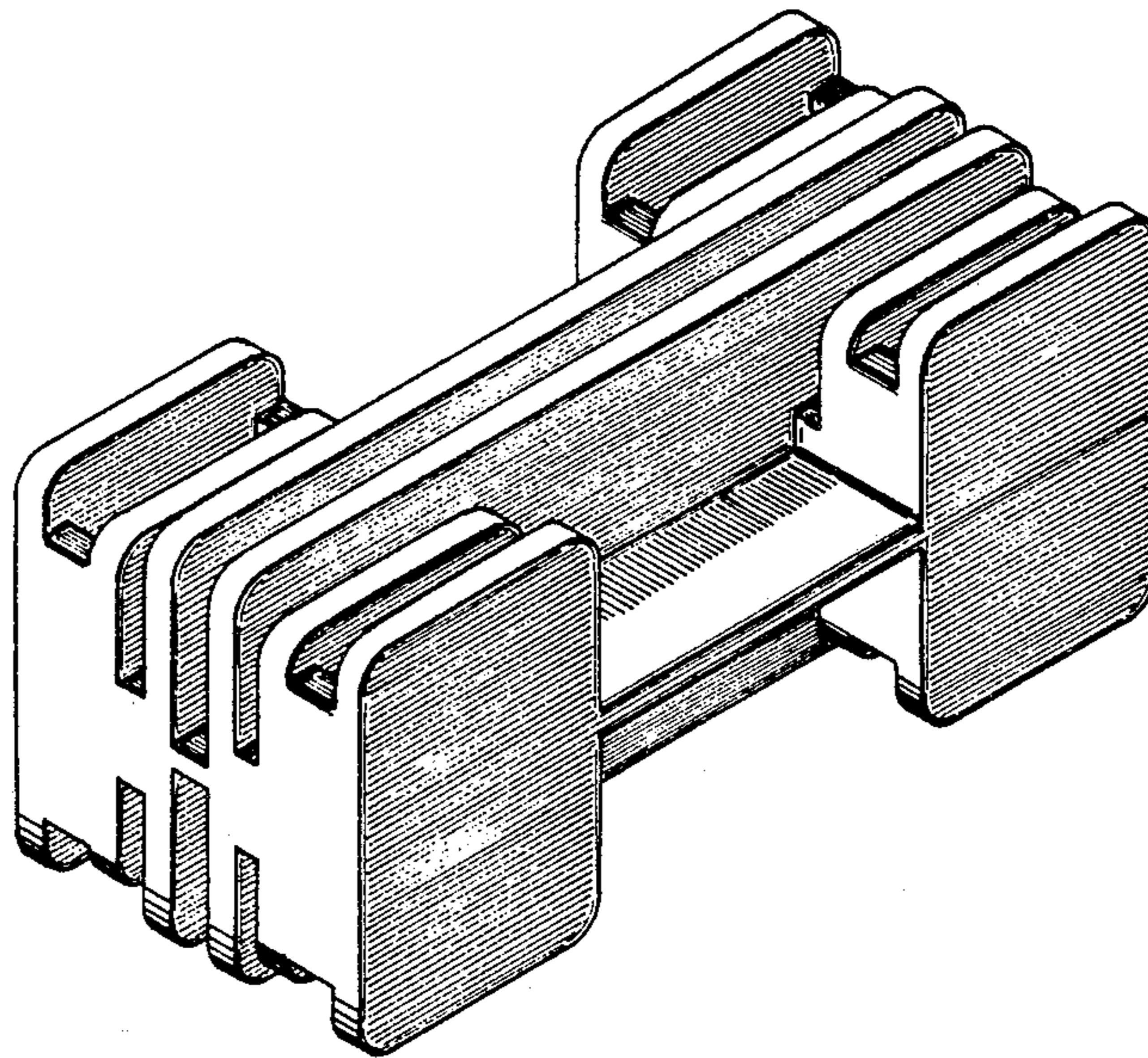
DESCRIPTION

[56] References Cited

U.S. PATENT DOCUMENTS

D. 281,052	10/1985	Farmer et al.	D8/394
1,816,060	7/1931	Stack	403/205
3,913,289	10/1975	Recker	312/140
3,955,510	5/1976	Kinik	403/171

FIG. 1 is a perspective view of a connector for folding
crates showing my new design;
FIG. 2 is a front elevational view thereof, the rear being
identical;
FIG. 3 is a top plan view thereof, the bottom being
identical;
FIG. 4 is a left side elevational view thereof; the right
side being identical.



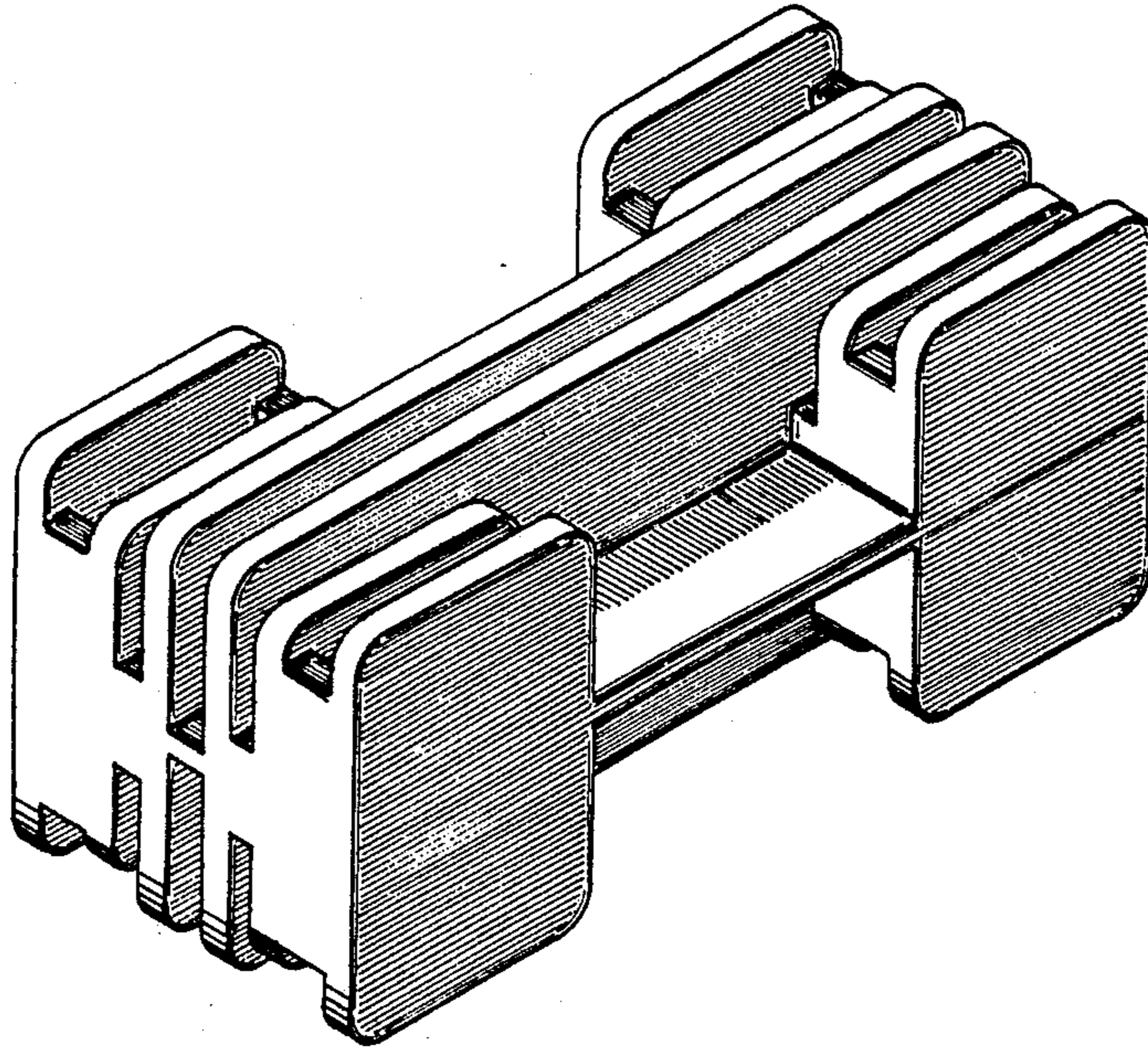


FIG. 1.

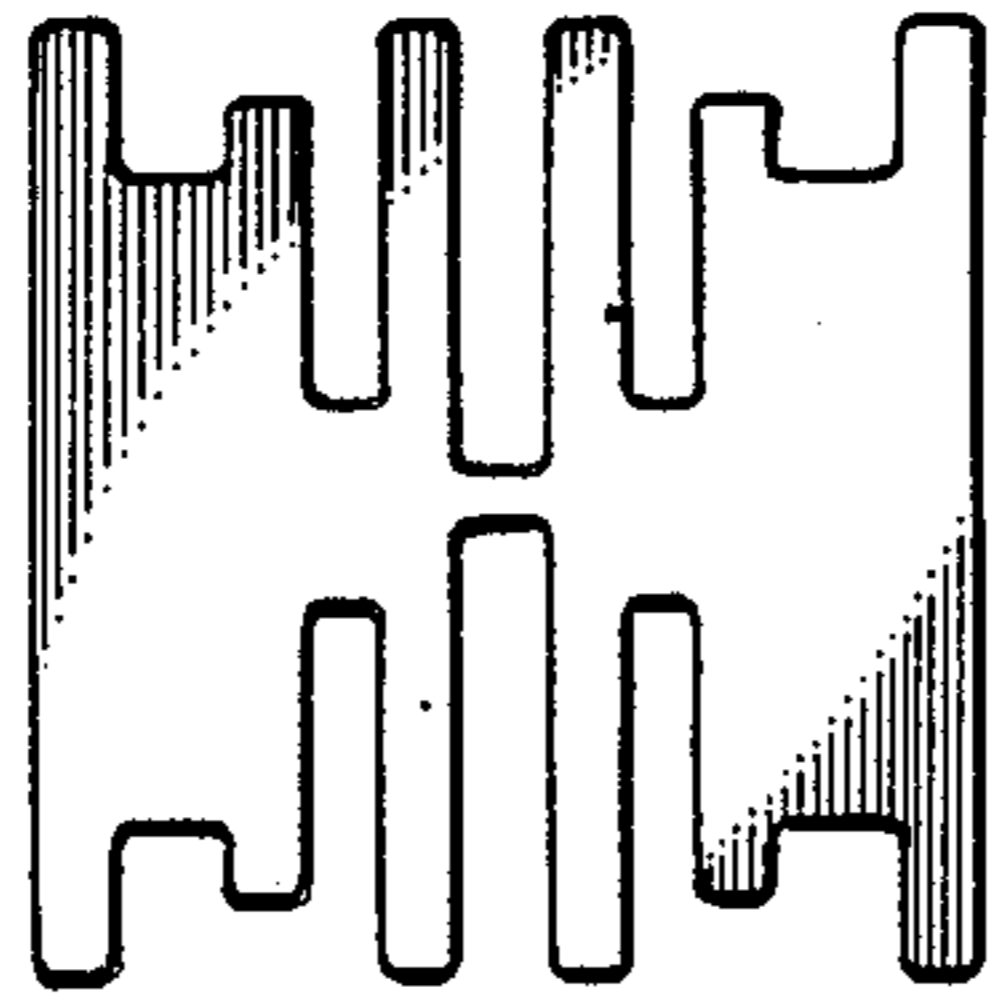


FIG. 2.

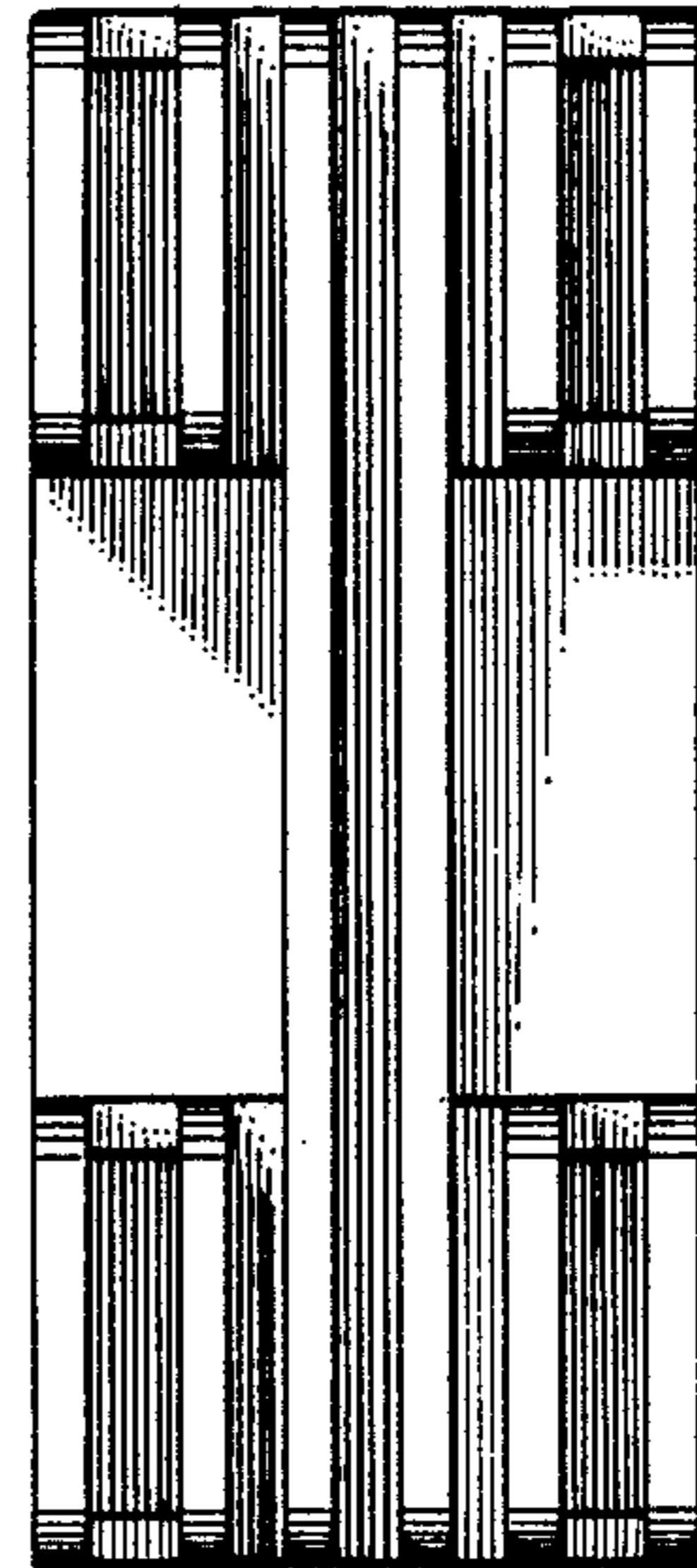


FIG. 3.

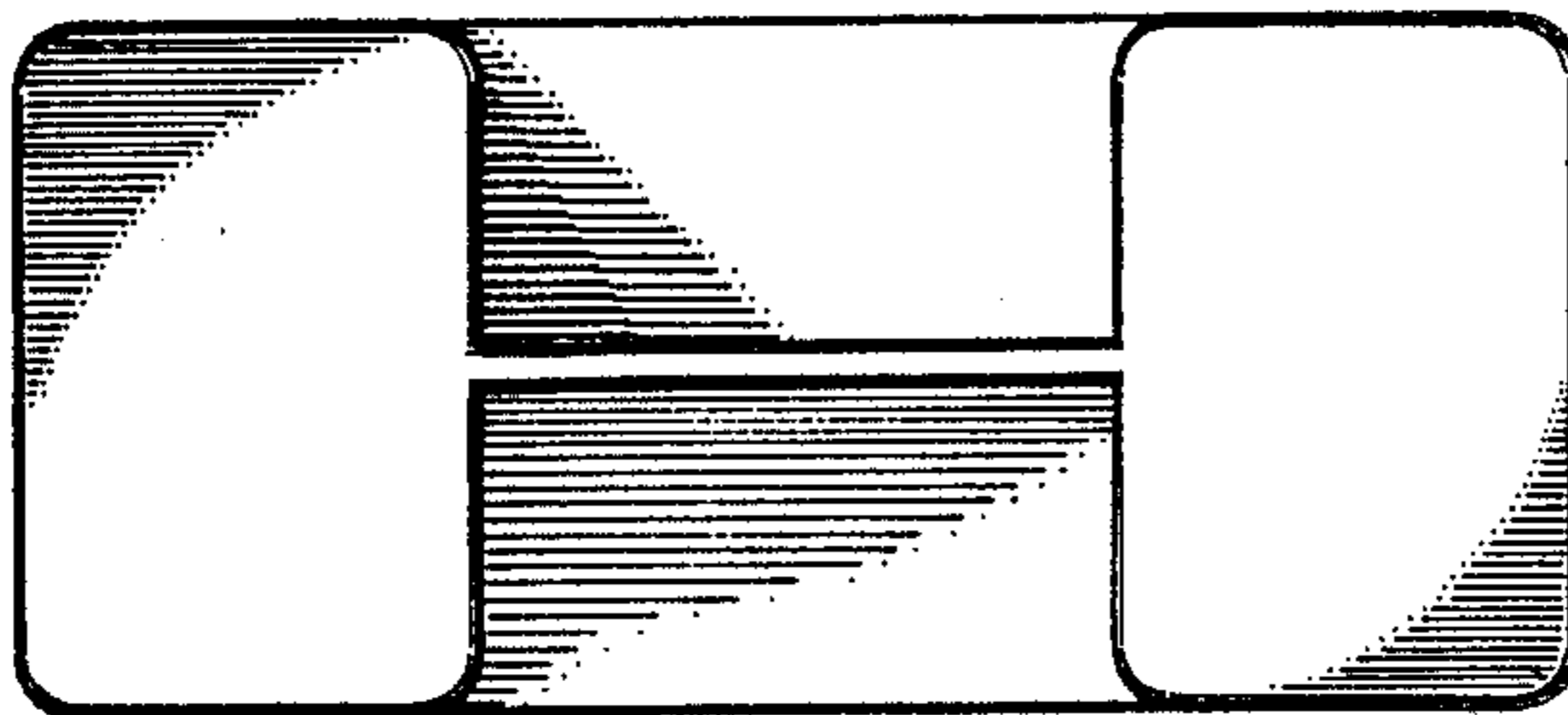


FIG. 4.