

[54] WIRE GRIPPER

[75] Inventor: Robert V. DeFrance, Poughkeepsie, N.Y.

[73] Assignee: Fargo Manufacturing Company, Inc., Poughkeepsie, N.Y.

[\*\*] Term: 14 Years

[21] Appl. No.: 838,041

[22] Filed: Feb. 27, 1986

[52] U.S. Cl. .... D8/14; D8/72; D13/24

[58] Field of Search ..... D8/14, 71, 72; D13/13, D13/24; 269/1, 8; 403/368; 24/126

[56] References Cited

U.S. PATENT DOCUMENTS

- D. 249,222 9/1978 Melamed ..... D8/14
- 1,822,138 11/1931 Pounder ..... 403/368
- 2,288,138 6/1942 Jugle ..... 24/126

4,142,714 3/1979 Diepeveen ..... 269/8

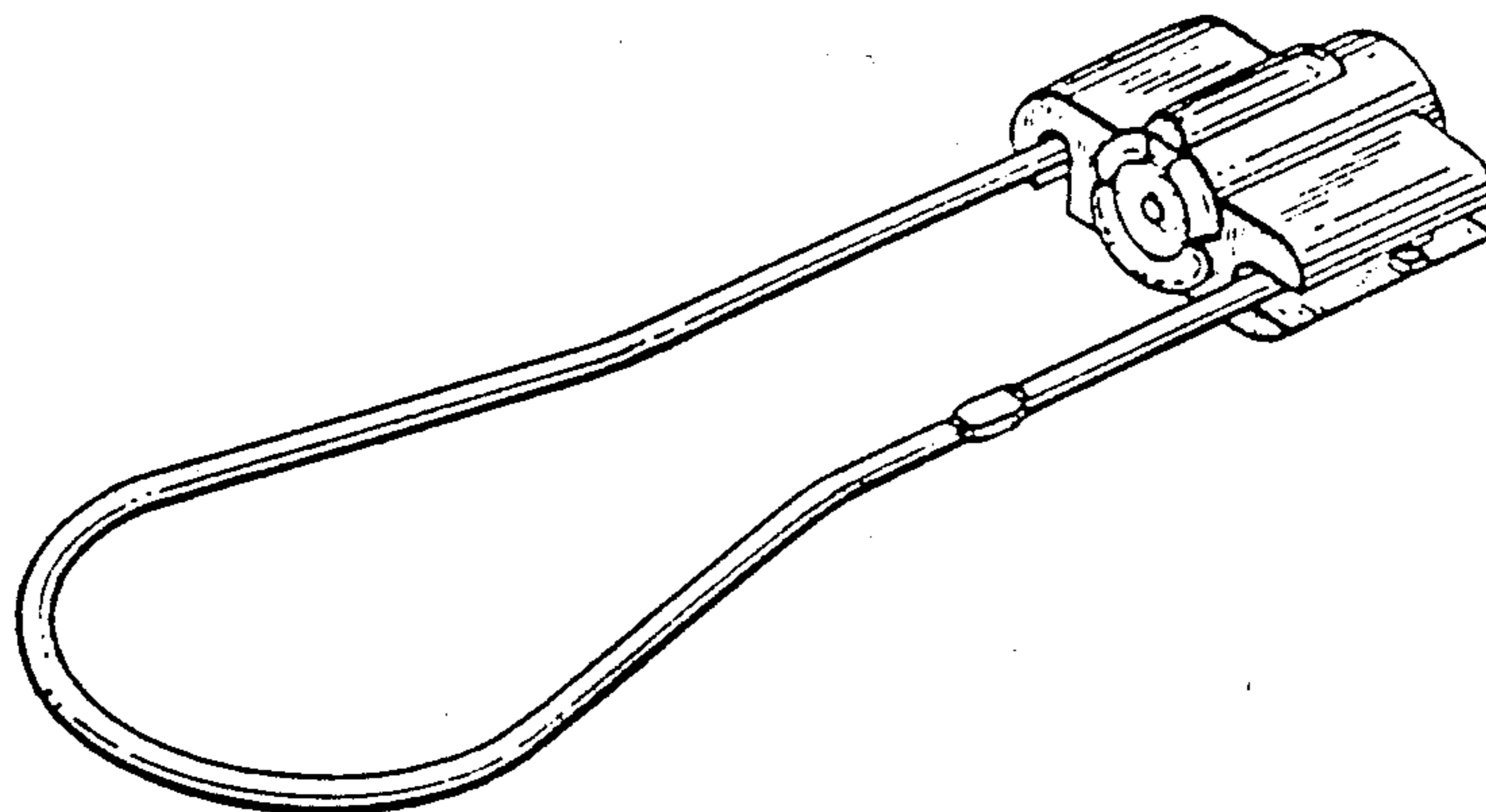
Primary Examiner—Nelson C. Holtje  
Assistant Examiner—Clare E. Heflin  
Attorney, Agent, or Firm—Kane, Dalsimer, Sullivan, Kurucz, Levy, Eisele & Richard

[57] CLAIM

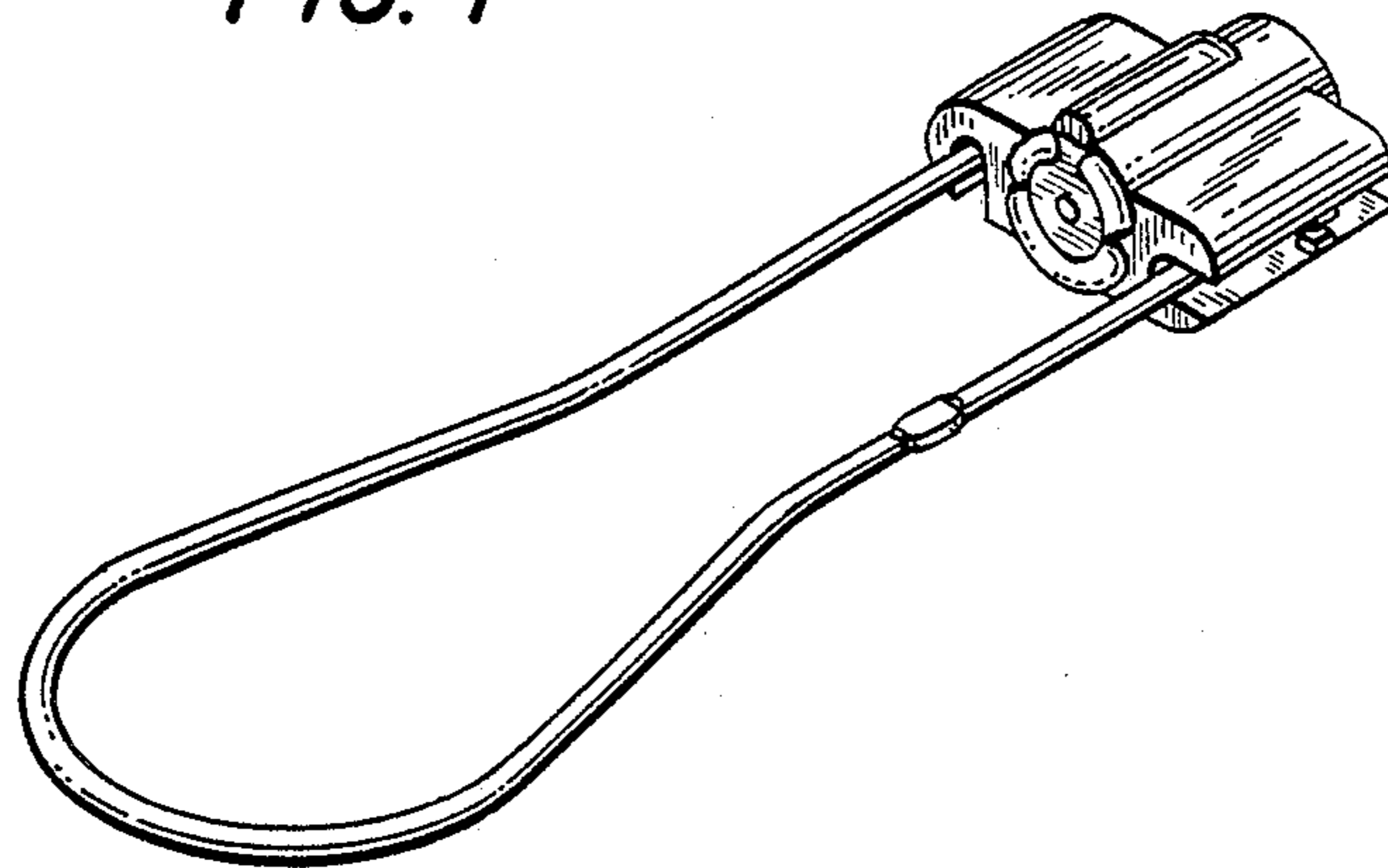
The ornamental design for a wire gripper, as shown and described.

DESCRIPTION

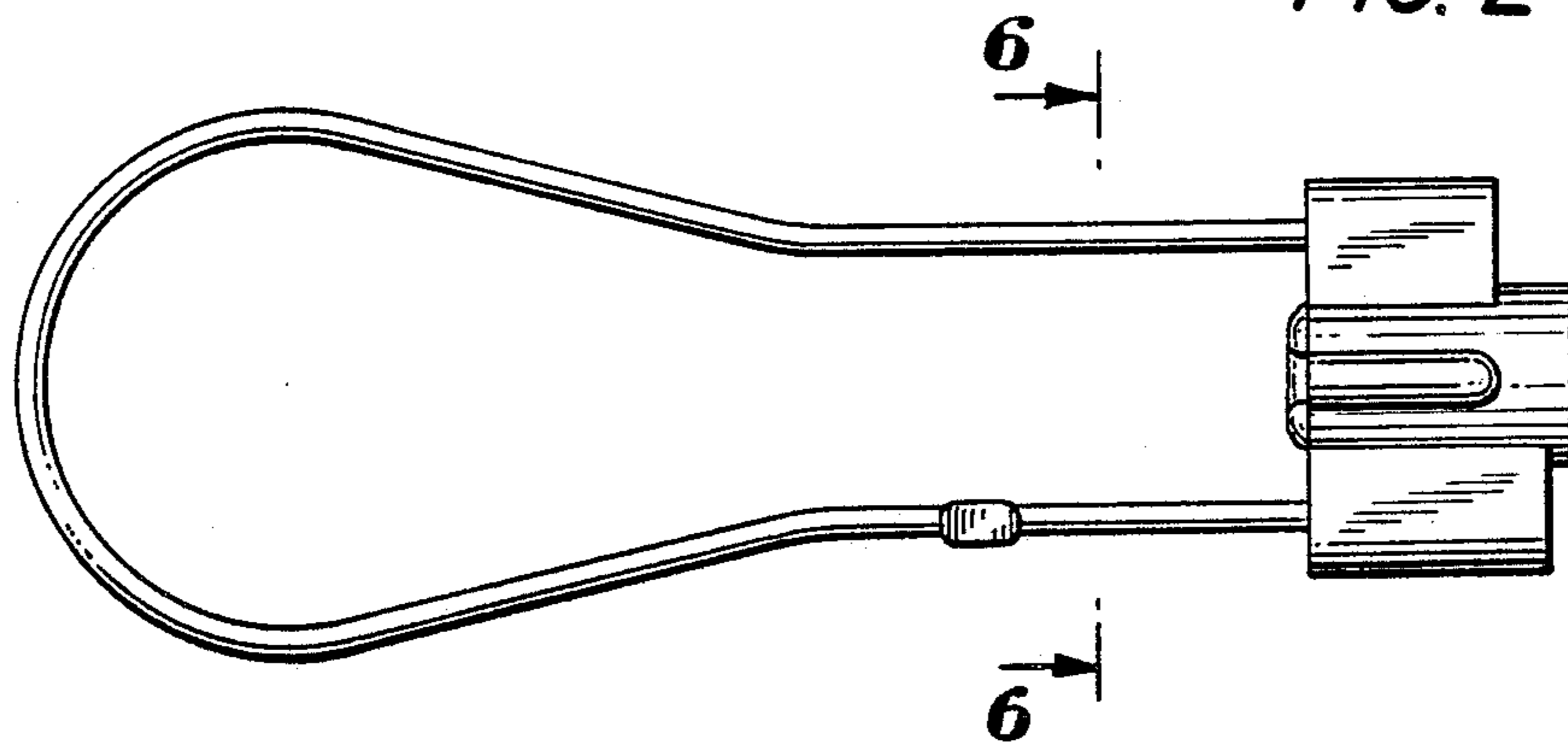
FIG. 1 is a front, right side perspective view of a wire gripper showing my new design;  
FIG. 2 is a top plan view thereof;  
FIG. 3 is a right side elevational view thereof;  
FIG. 4 is a bottom plan view thereof;  
FIG. 5 is a left side, elevational view thereof;  
FIG. 6 is a cross-sectional view thereof, taken along the line 6—6 in FIG. 2.  
FIG. 7 is a front elevational view thereof, and  
FIG. 8 is a rear elevational view thereof.



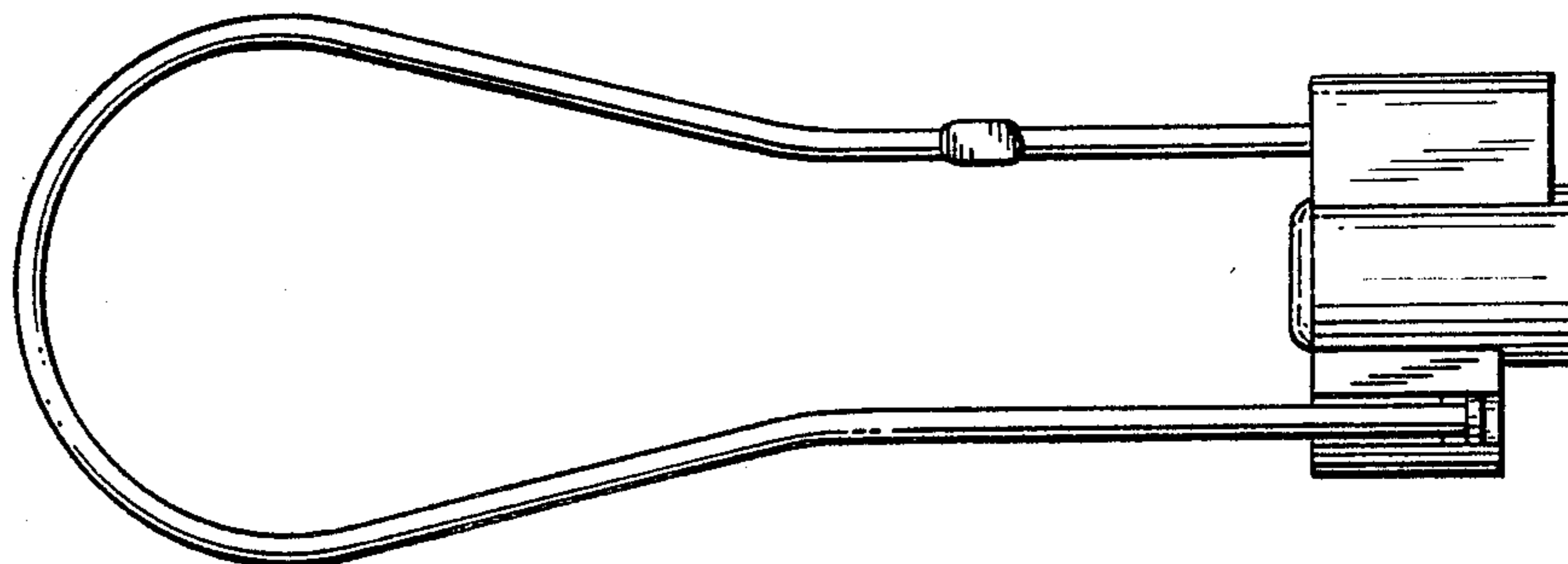
*FIG. 1*



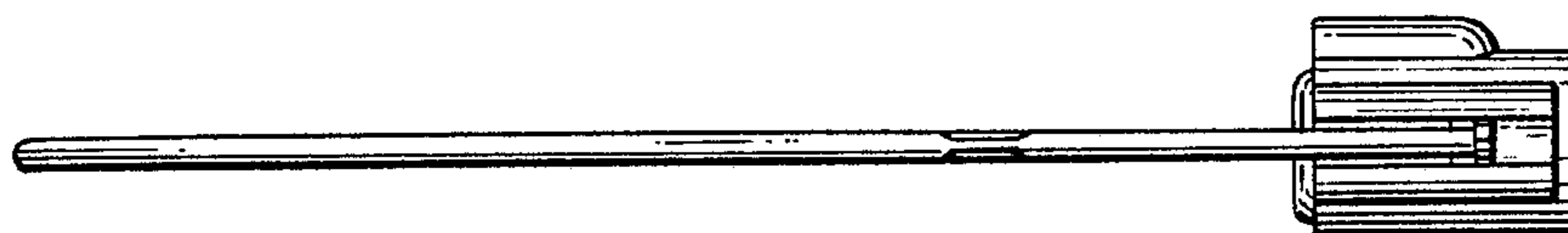
*FIG. 2*



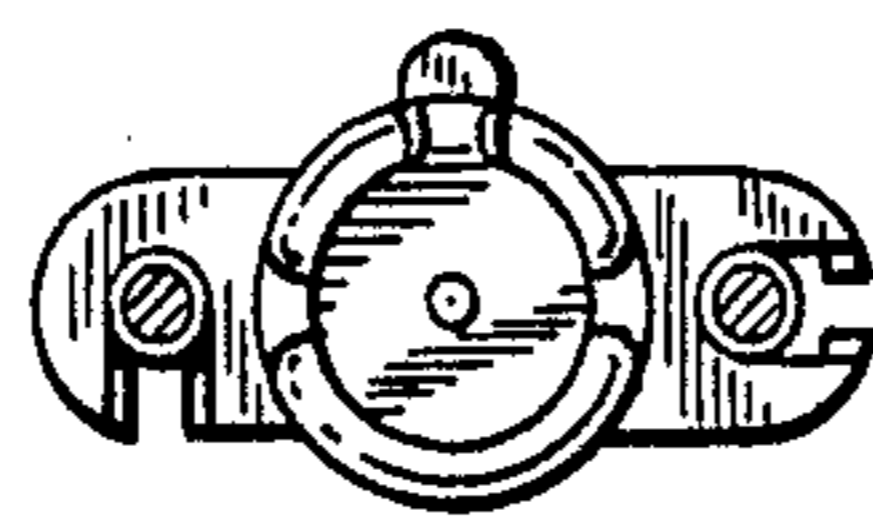
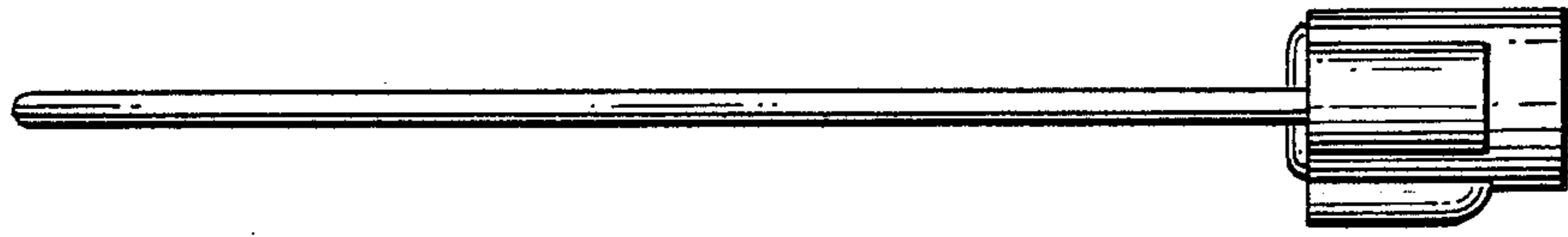
*FIG. 4*



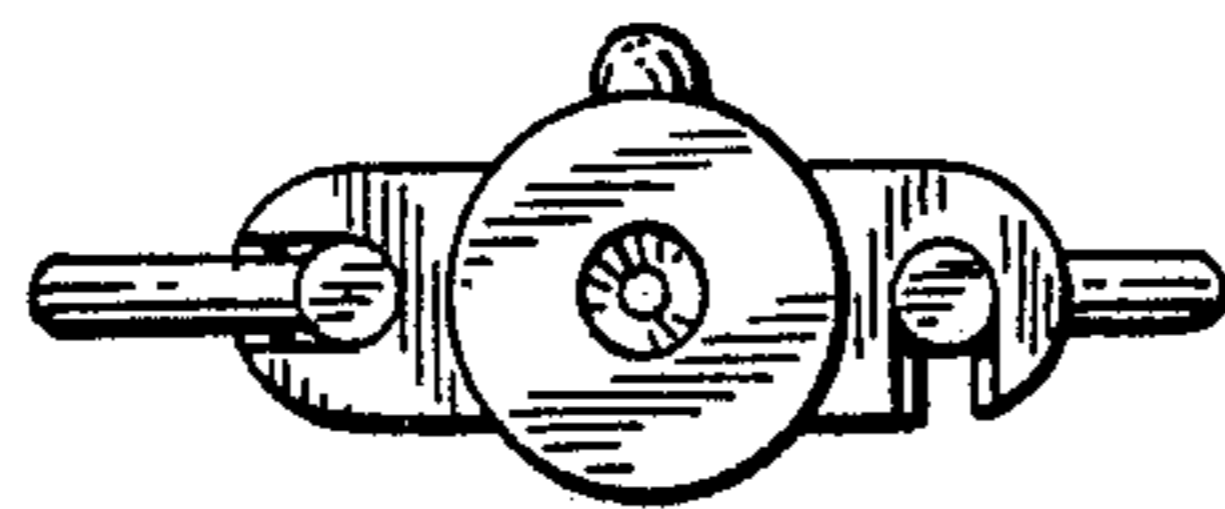
*FIG. 3*



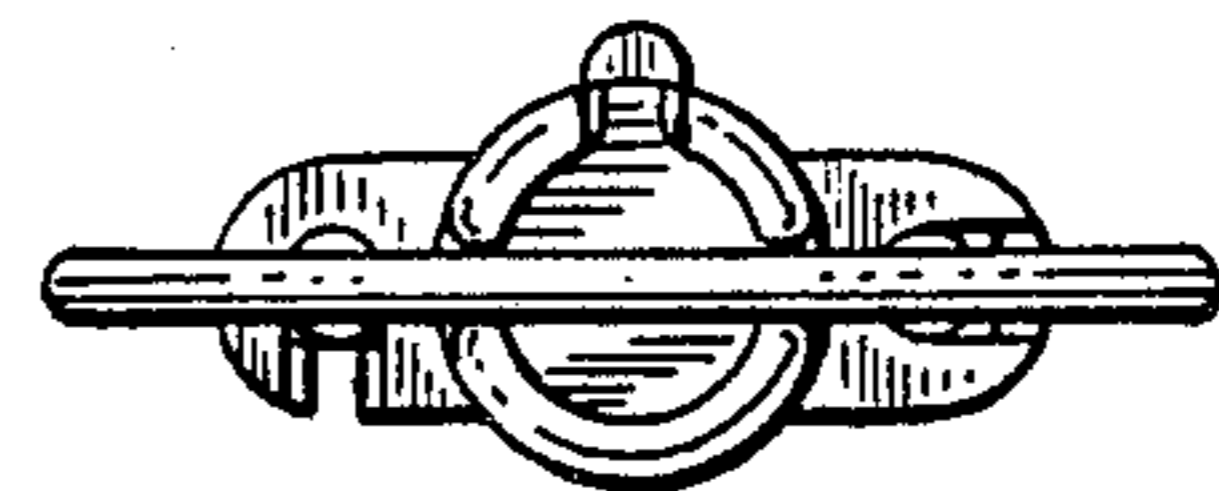
*FIG. 5*



*FIG. 6*



*FIG. 8*



*FIG. 7*