

[54] HOOK USED IN MOORING A BOAT OR SIMILAR ARTICLE

[76] Inventor: Lewis P. White, 3436 Brookwood Rd., Birmingham, Ala. 35223

[**] Term: 14 Years

[21] Appl. No.: 15,723

[22] Filed: Feb. 17, 1987

[52] U.S. Cl. D8/14

[58] Field of Search D8/14, 88, 89, 107; 294/14, 17, 26, 133; 81/177.1, 177.2; 254/25

[56] References Cited

U.S. PATENT DOCUMENTS

- D. 298,007 10/1988 Williams et al. D8/17
- 646,811 4/1900 Driller 254/25
- 3,843,981 10/1974 Verest 81/177.2

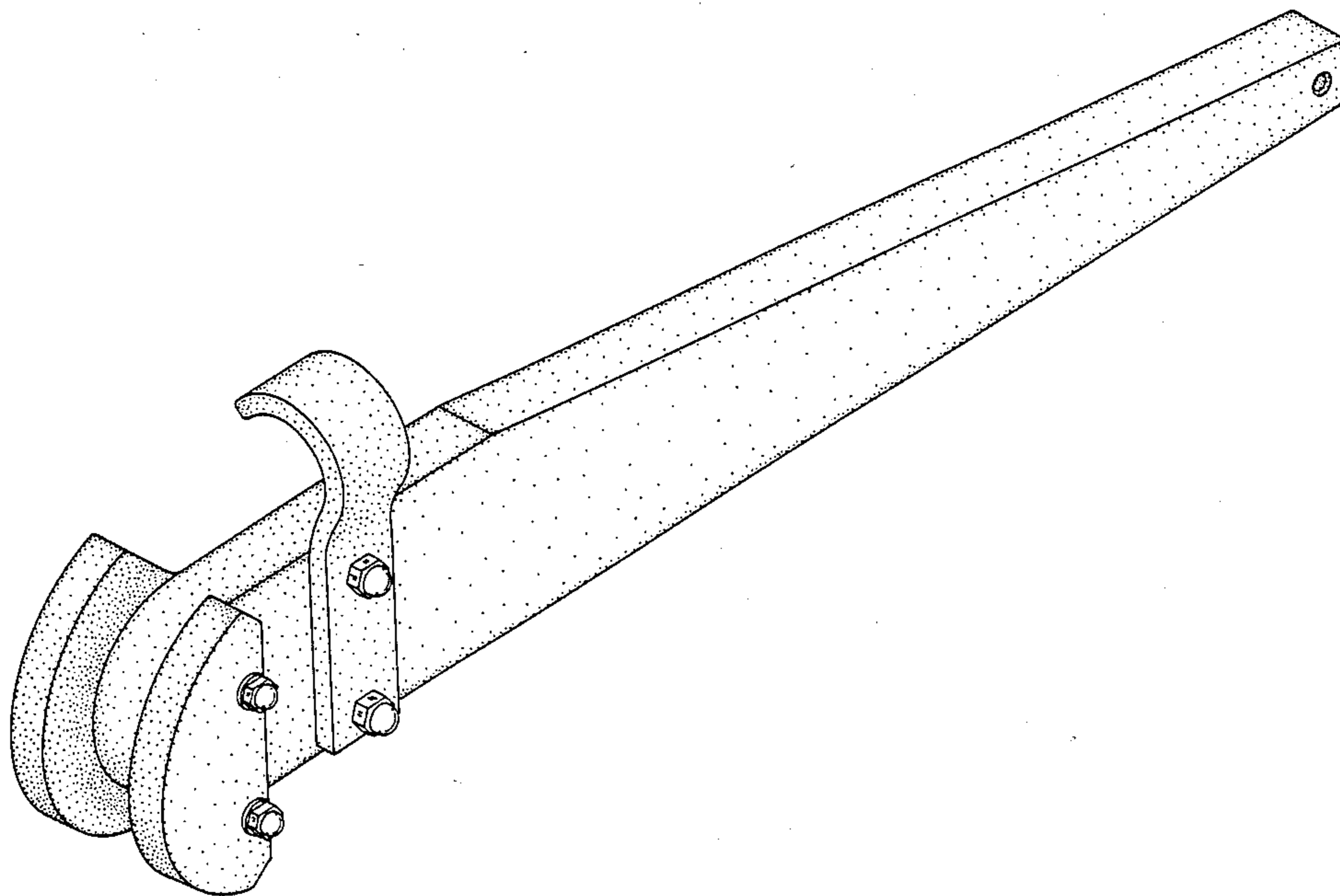
Primary Examiner—Nelson C. Holtje
Assistant Examiner—Clare E. Heflin
Attorney, Agent, or Firm—Jennings, Carter, Thompson & Veal

[57] CLAIM

The ornamental design for a hook used in mooring a boat or similar article, as shown.

DESCRIPTION

FIG. 1 is a perspective view of a hook used in mooring a boat or similar article showing my new design; FIG. 2 is a side elevational view thereof; FIG. 3 is an opposite side elevational view thereof; FIG. 4 is an end elevational view thereof; FIG. 5 is an opposite end elevational view thereof; FIG. 6 is a bottom plan view thereof; and FIG. 7 is a top plan view thereof.



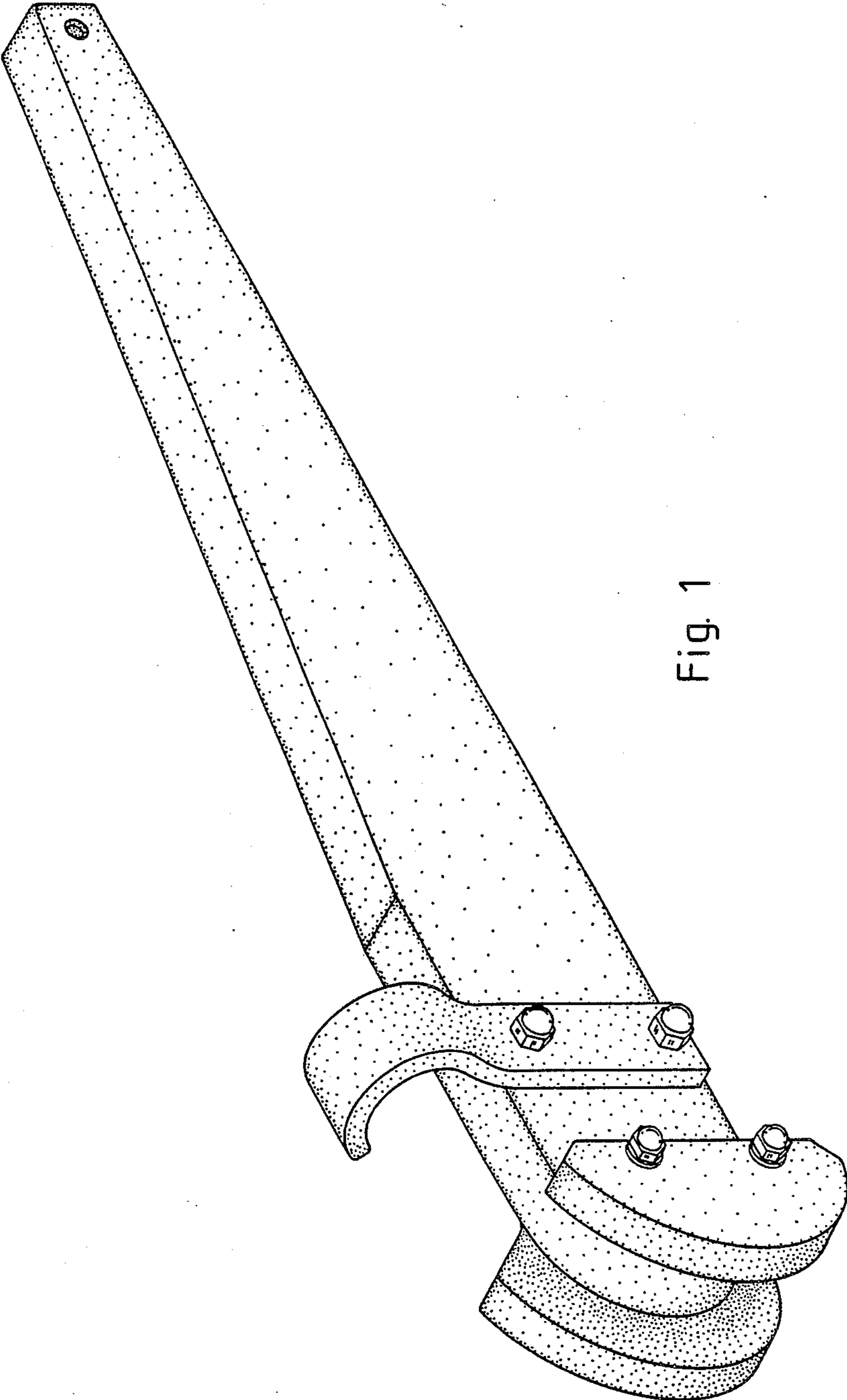


Fig. 1

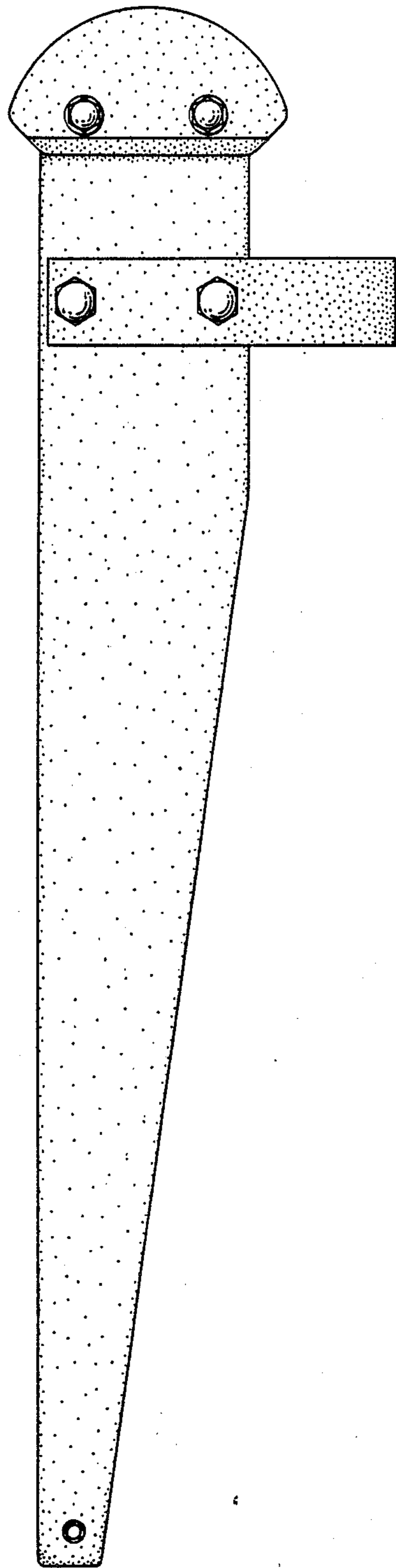


Fig. 2

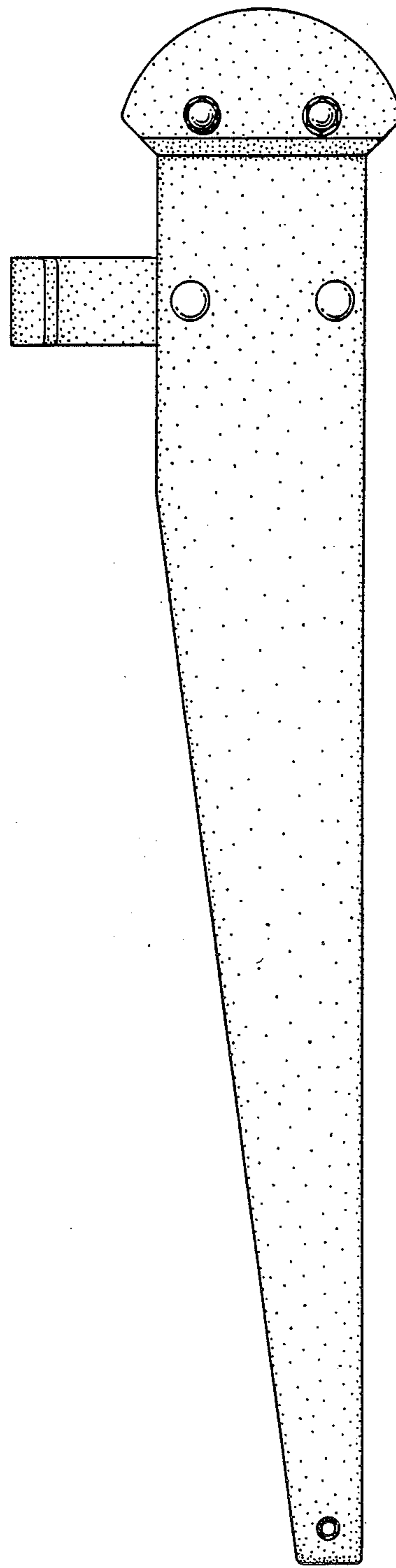


Fig. 3

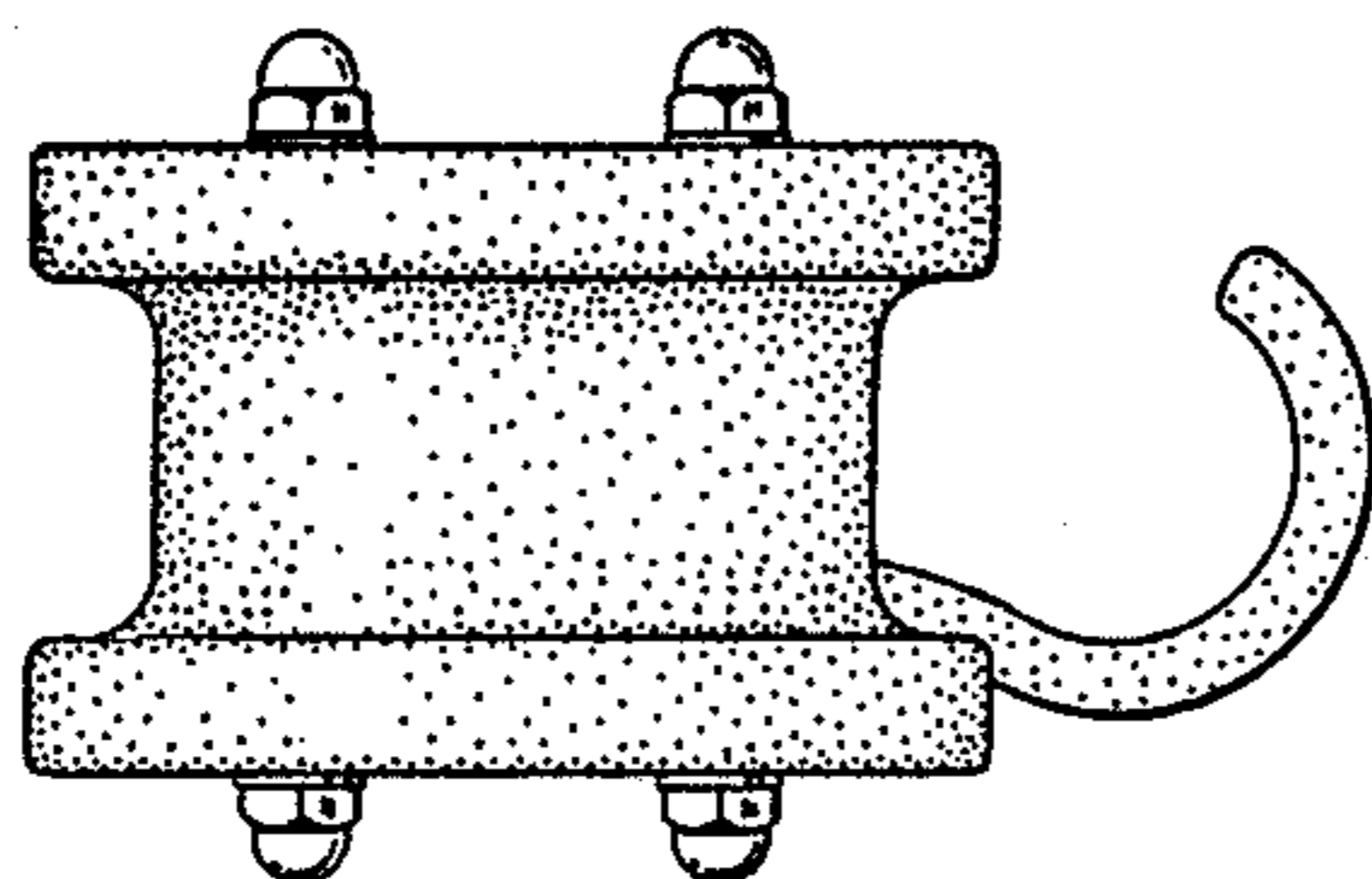


Fig. 4

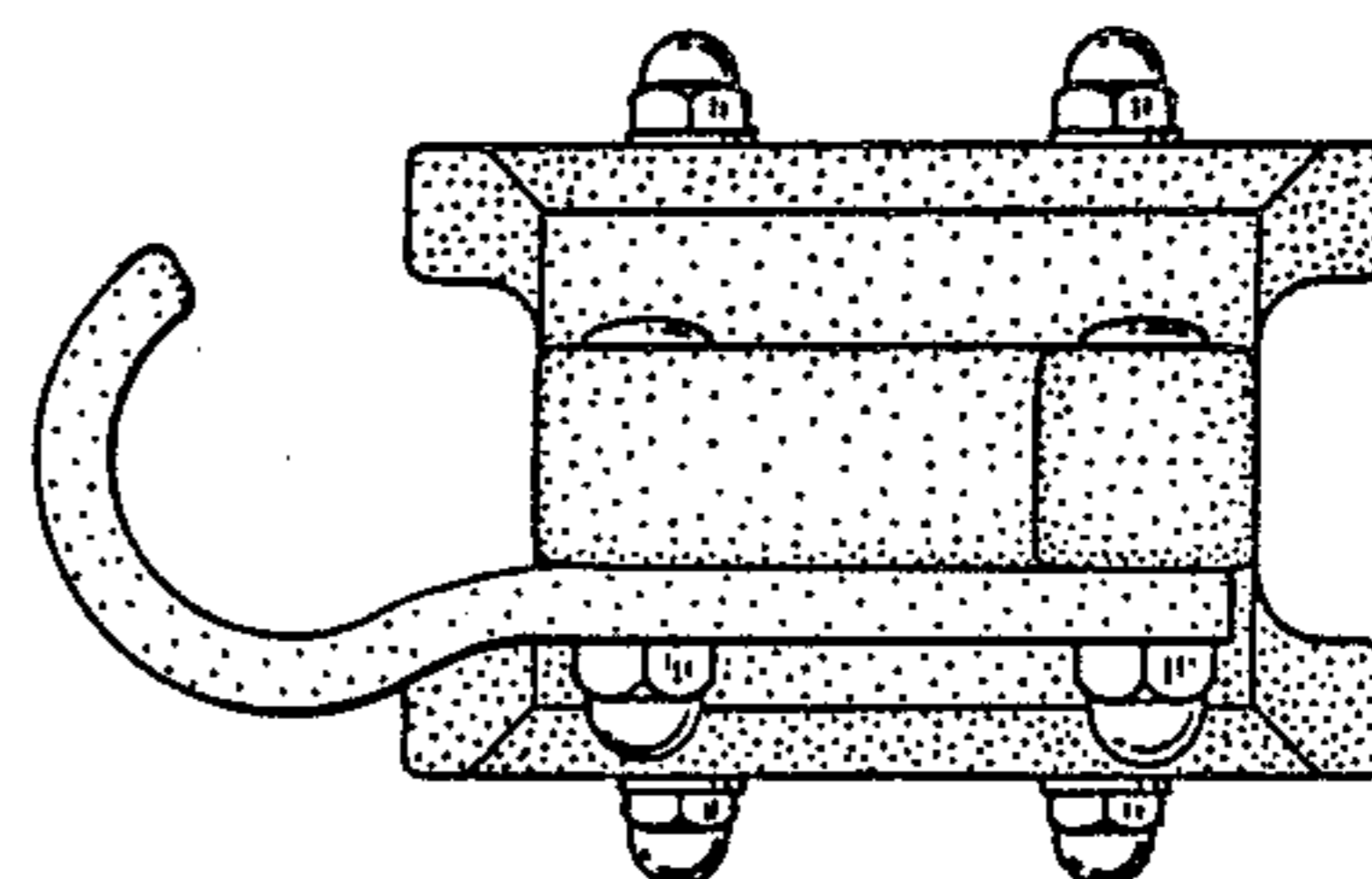


Fig. 5

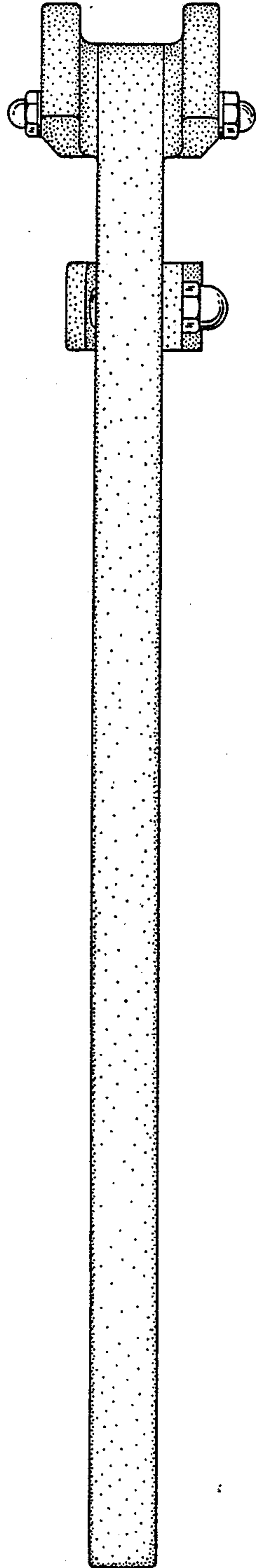


Fig. 6

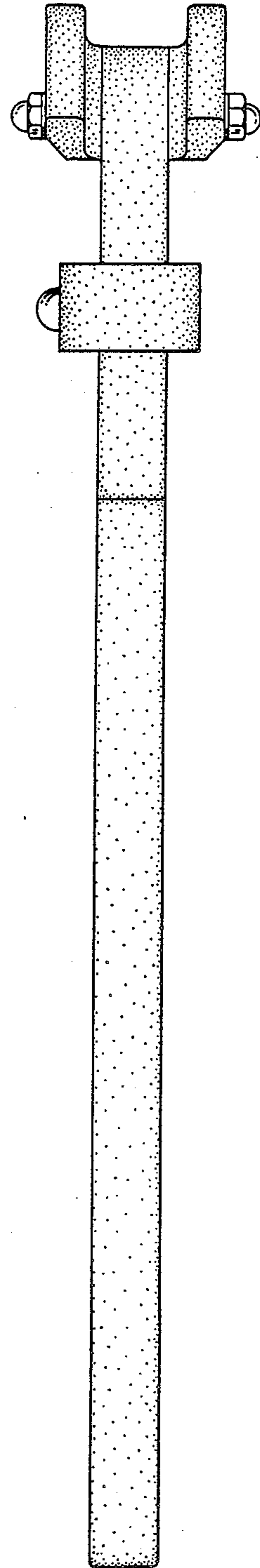


Fig. 7