

[54] TOWER FOR A BEVERAGE DISPENSER

[75] Inventors: Alvin H. Schechter, New York, N.Y.;
Carl R. Thompson, Stratford, Conn.

[73] Assignee: The Coca-Cola Company, Atlanta,
Ga.

[**] Term: 14 Years

[21] Appl. No.: 266,967

[22] Filed: Nov. 3, 1988

Related U.S. Application Data

- [62] Division of Ser. No. 841,749, Mar. 5, 1986.
- [52] U.S. Cl. D7/397
- [58] Field of Search D7/305, 397, 398, 312,
D7/311, 300, 306-308; D20/4, 5; 141/198, 207,
234, 95, 361; 222/129.1-129.4, 132

[56] References Cited

U.S. PATENT DOCUMENTS

- D. 202,688 11/1965 Cornelius D7/311
- D. 218,083 7/1970 Hartley D7/308
- D. 236,391 8/1975 Audette D7/311

- D. 238,721 2/1976 Buffington D7/308
- D. 259,725 6/1981 Wasserstrom et al. D7/308
- 3,331,536 7/1967 Lorenzo 222/129.1 X

OTHER PUBLICATIONS

Restaurants & Institutions, Jun. 1, 1982, p. 62-0, Cornelius Co. Adv./SF-1 Valve, lower left dispenser.

Primary Examiner—Winifred E. Herrmann
Attorney, Agent, or Firm—Thomas R. Boston; W. Dexter Brooks

[57] CLAIM

The ornamental design for a tower for a beverage dispenser, as shown and described.

DESCRIPTION

FIG. 1 is a top, front, and right side perspective view of a tower for a beverage dispenser showing our new design;

FIG. 2 is a right side elevational view thereof;

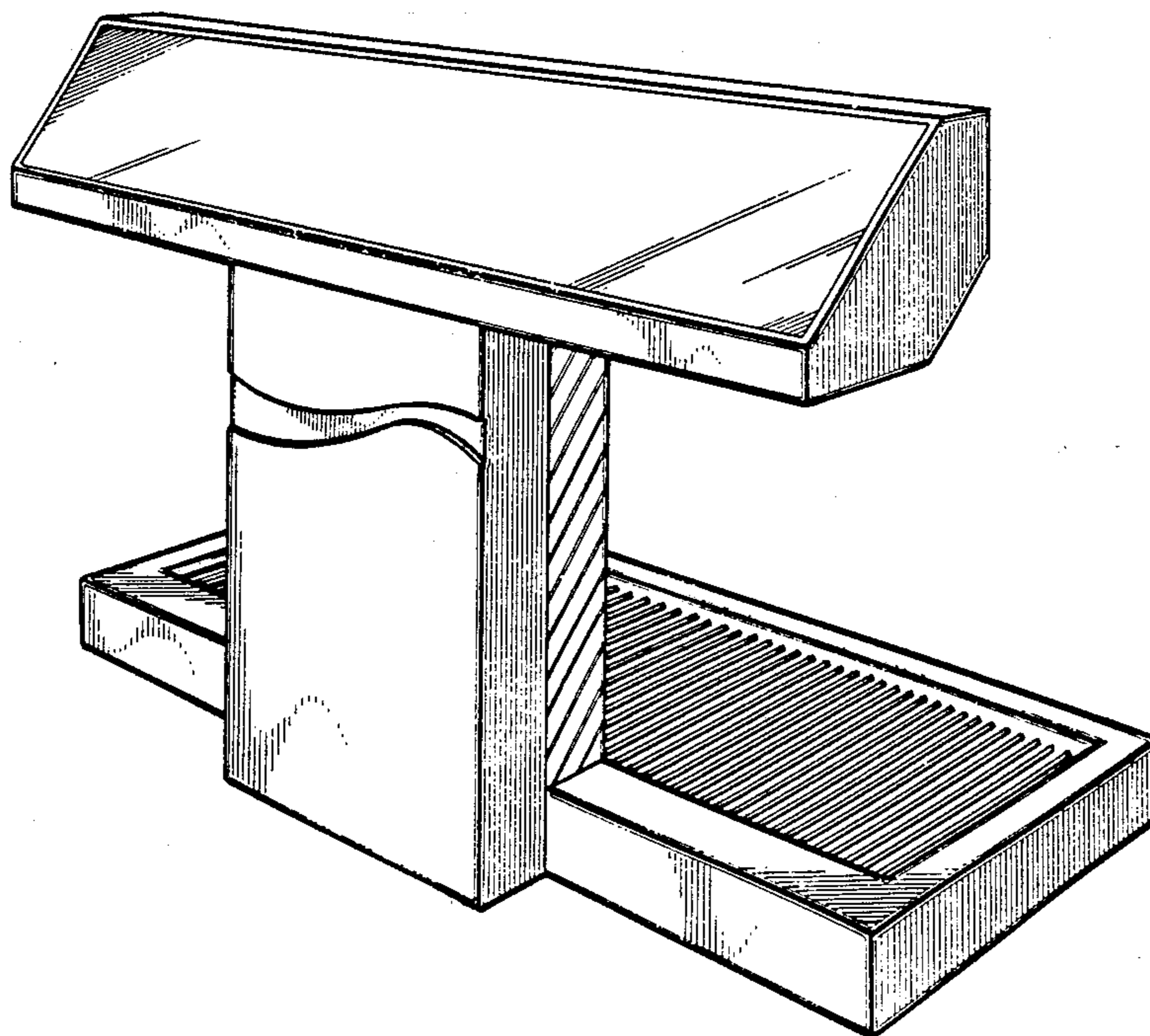
FIG. 3 is a left side elevational view thereof;

FIG. 4 is a front elevational view thereof;

FIG. 5 is a rear elevational view thereof;

FIG. 6 is a top plan view thereof; and

FIG. 7 is a bottom plan view thereof.



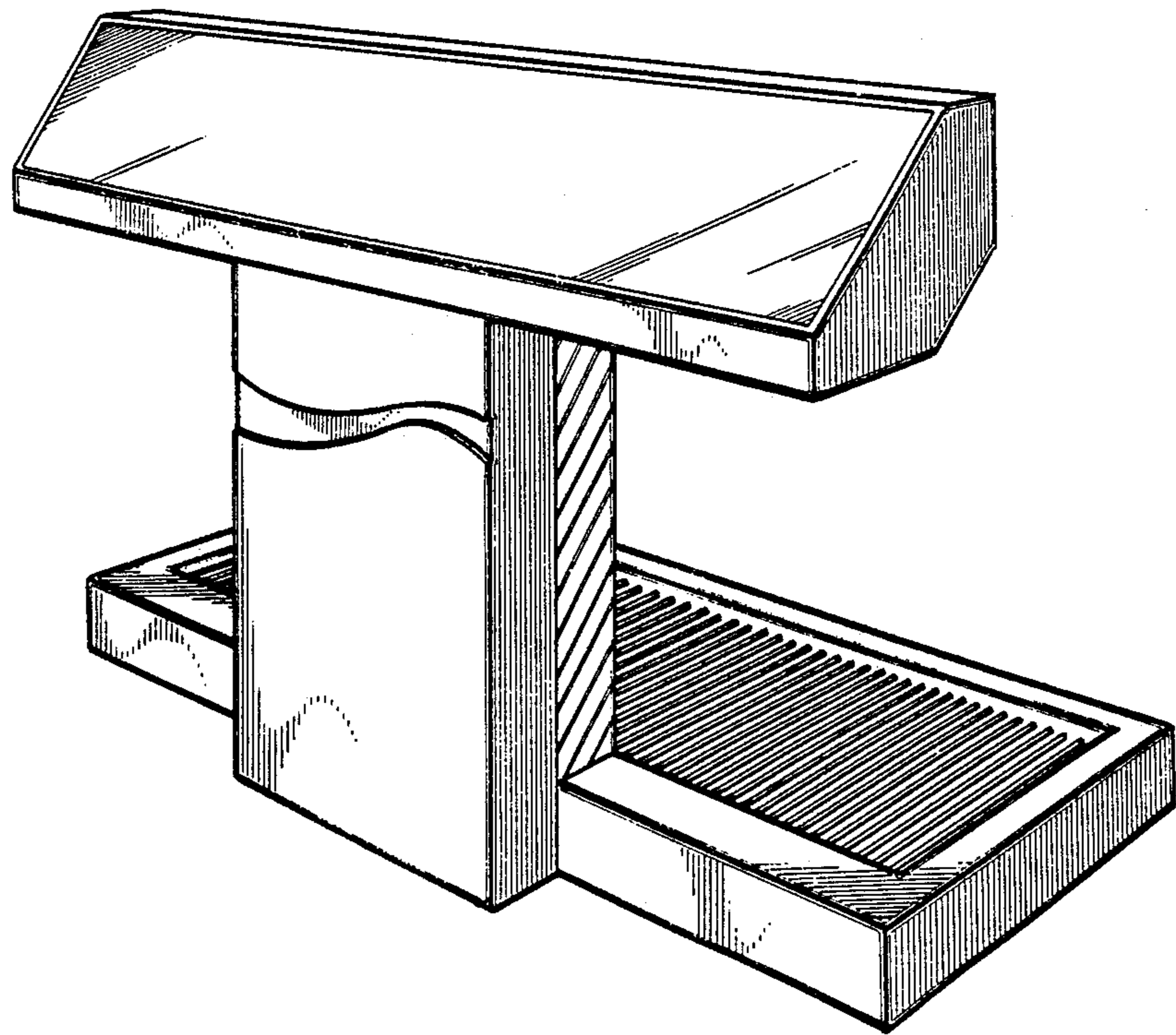


FIG 1

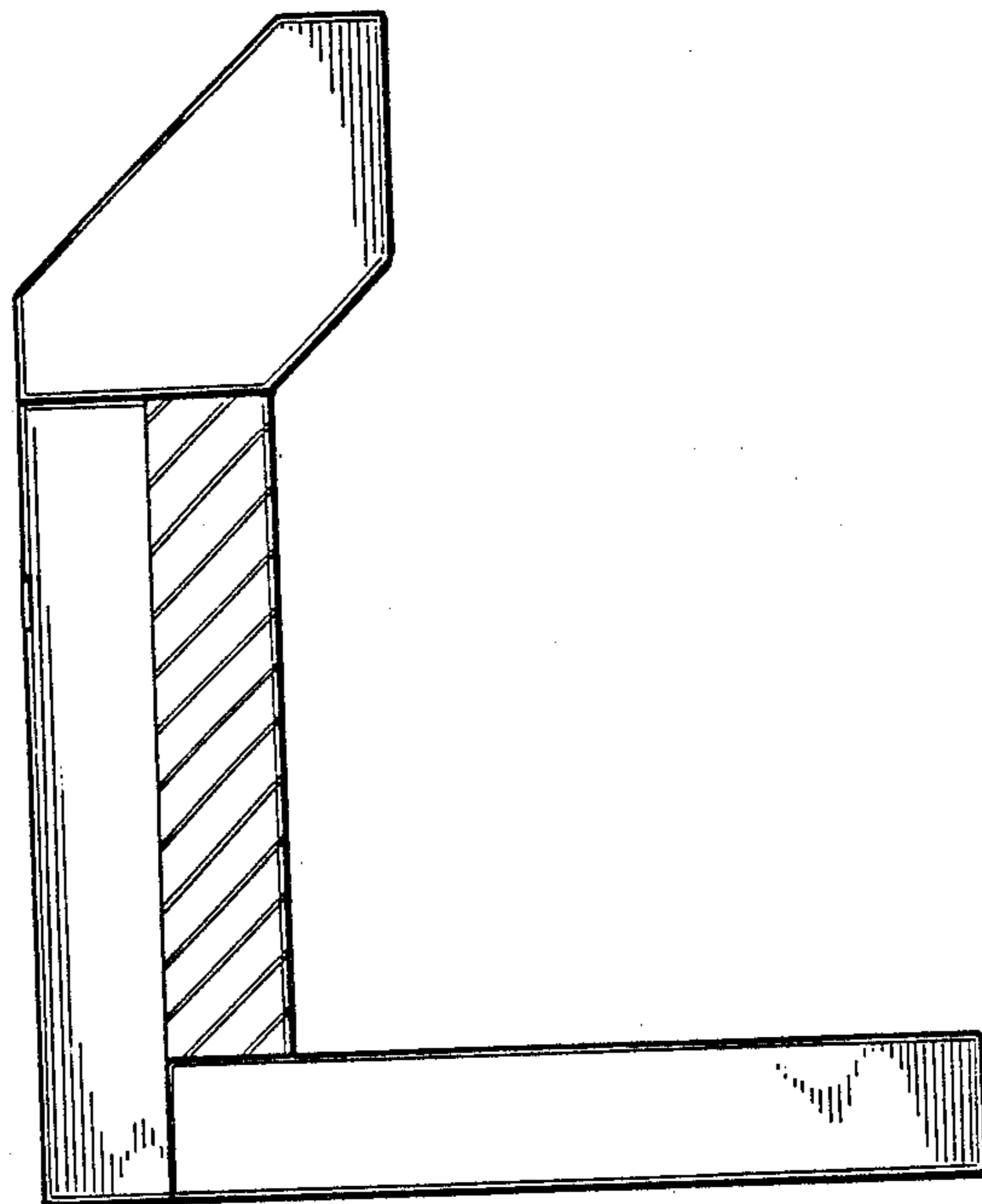


FIG 2

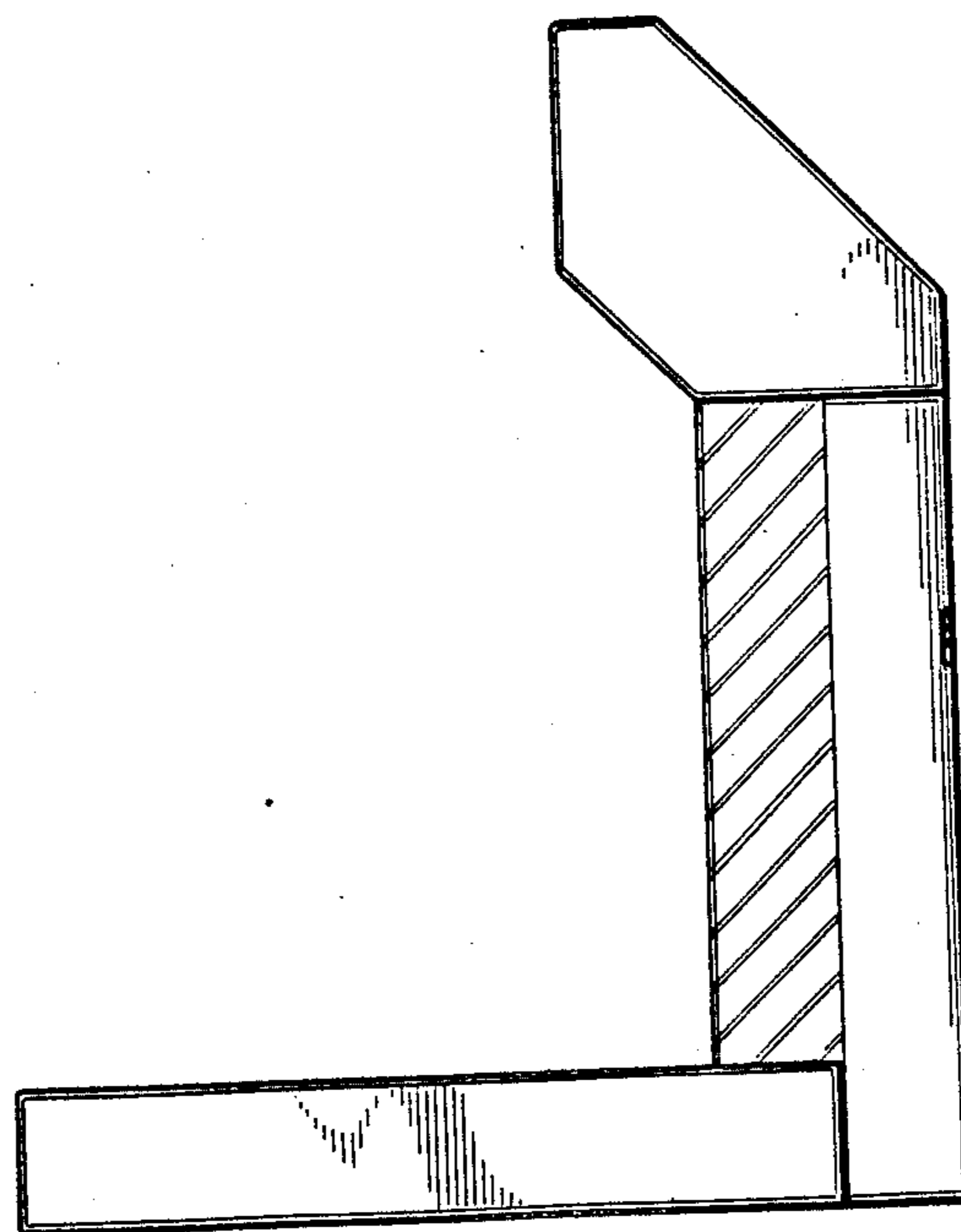


FIG 3

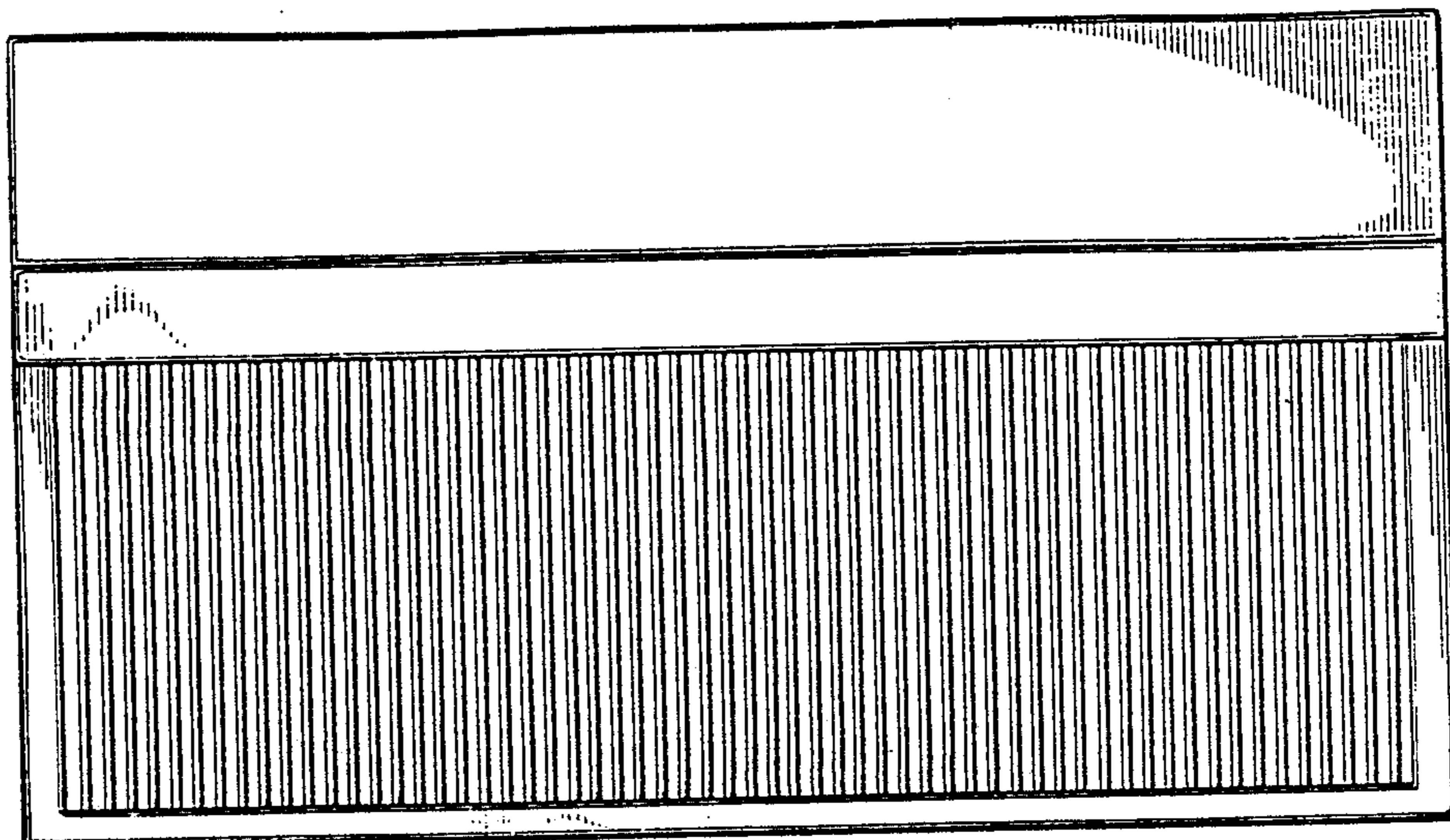


FIG 6

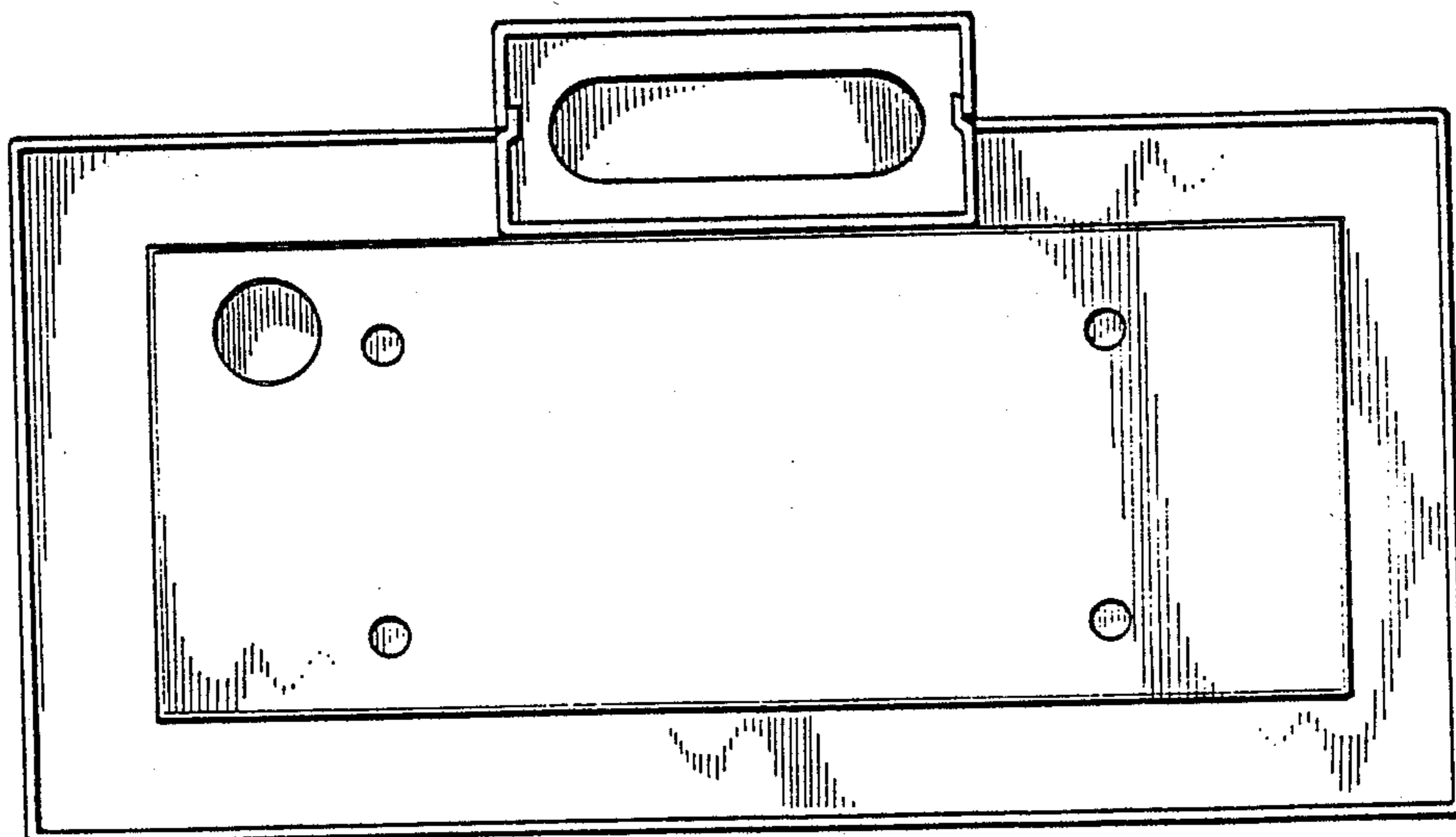


FIG 7

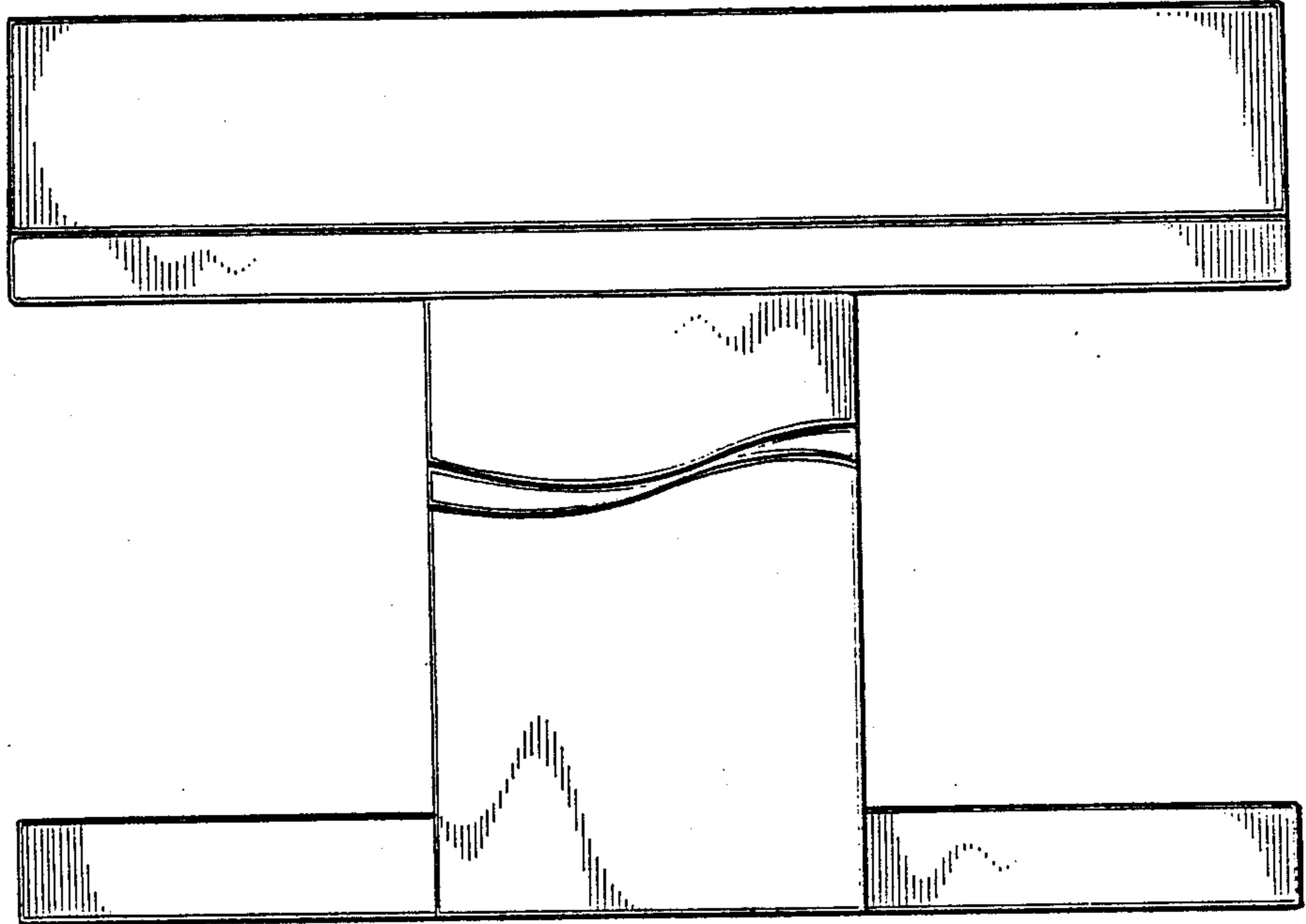


FIG 4

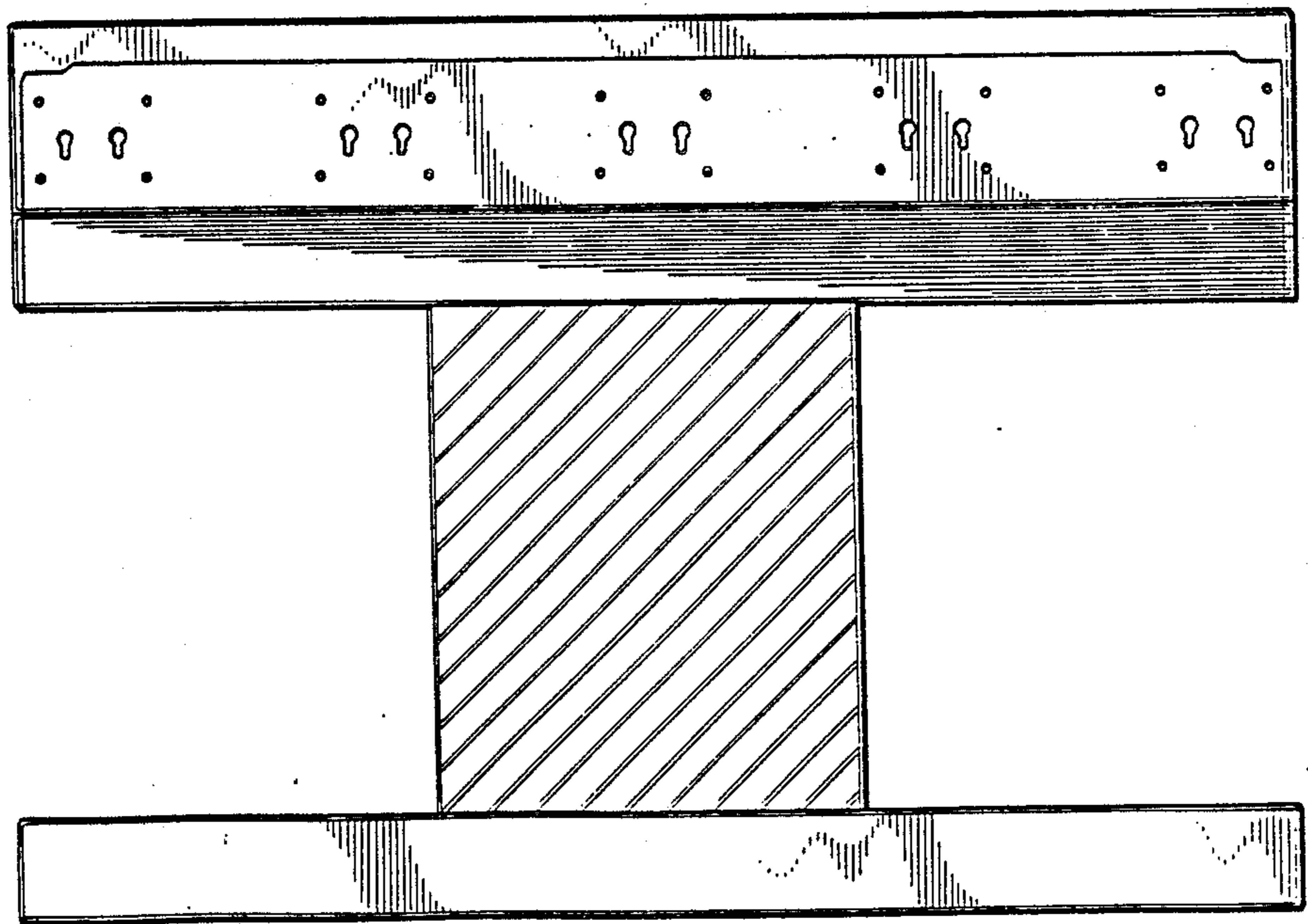


FIG 5