

[54] CARAFE

[75] Inventor: Thomas J. Ryan, San Diego, Calif.

[73] Assignee: Proctor-Silex, Inc., Glen Allen, Va.

[**] Term: 14 Years

[21] Appl. No.: 863,679

[22] Filed: May 15, 1986

[52] U.S. Cl. D7/319; D7/318

[58] Field of Search 294/31.2, 27.1; 220/85 H; D7/393, 394, 395, 309, 310, 316, 317, 318, 319

[56] References Cited

U.S. PATENT DOCUMENTS

D. 211,487	6/1968	Schellens	D7/309
D. 254,646	4/1980	Tsuji	D7/310
D. 265,042	6/1982	Hanson et al.	D7/309
D. 268,319	3/1983	Donoski et al.	D7/318
D. 269,488	6/1983	Marotta	D7/309
D. 283,194	4/1986	Durand	D7/318
D. 283,969	5/1986	Sastre	D7/309
D. 285,276	8/1986	Daher	D7/309
4,545,296	10/1985	Ben-Shmuel	D7/309 X

OTHER PUBLICATIONS

Mr. Coffee/North American Systems, Inc., Supplement to HFD, Jan. 9, 1978, Sec. I, p. 2, top center decanter, MCS-1212, (Supplement D7-309).

Krups, T-6 Coffee Maker #267, page unknown and date unknown-Handle on Decanter.

An assortment of thirteen advertisements collected by applicant's assignee and assembled for purposes of the Information Disclosure Statement filed Oct. 14, 1986. The advertisements are known and admitted to show products that were available to the public before applicant's invention of the design hereby sought to be patented.

Primary Examiner—Winifred E. Herrmann
Attorney, Agent, or Firm—Roger S. Dybvig

[57] CLAIM

The ornamental design for a carafe, as shown.

DESCRIPTION

FIG. 1 is a top, rear, and left side perspective view of a carafe showing my new design;
FIG. 2 is a right side elevational view of the carafe;
FIG. 3 is a rear elevational view of the carafe;
FIG. 4 is a front elevational view of the carafe;
FIG. 5 is a top plan view of the carafe;
FIG. 6 is a bottom plan view of the carafe.

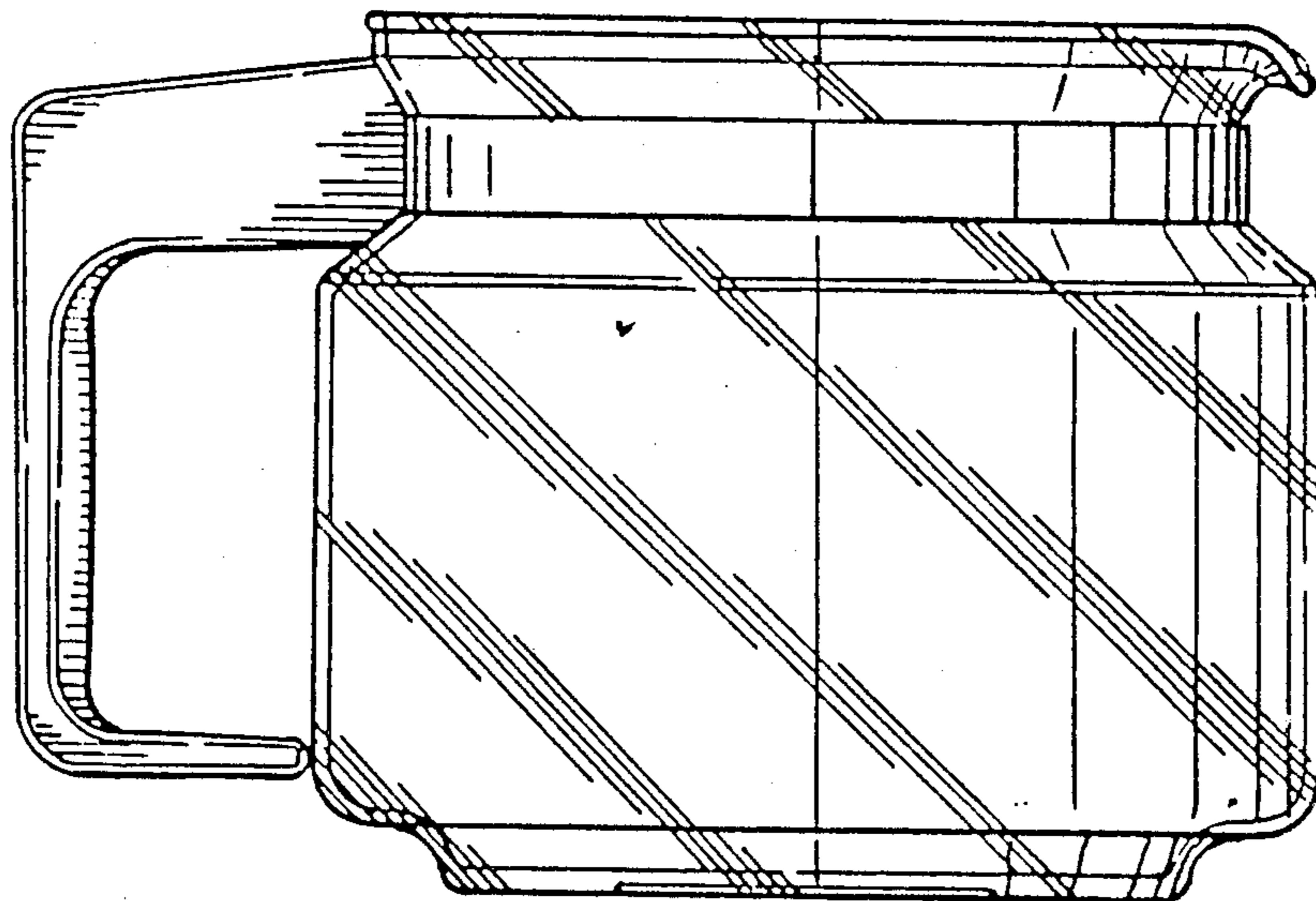


FIG-1

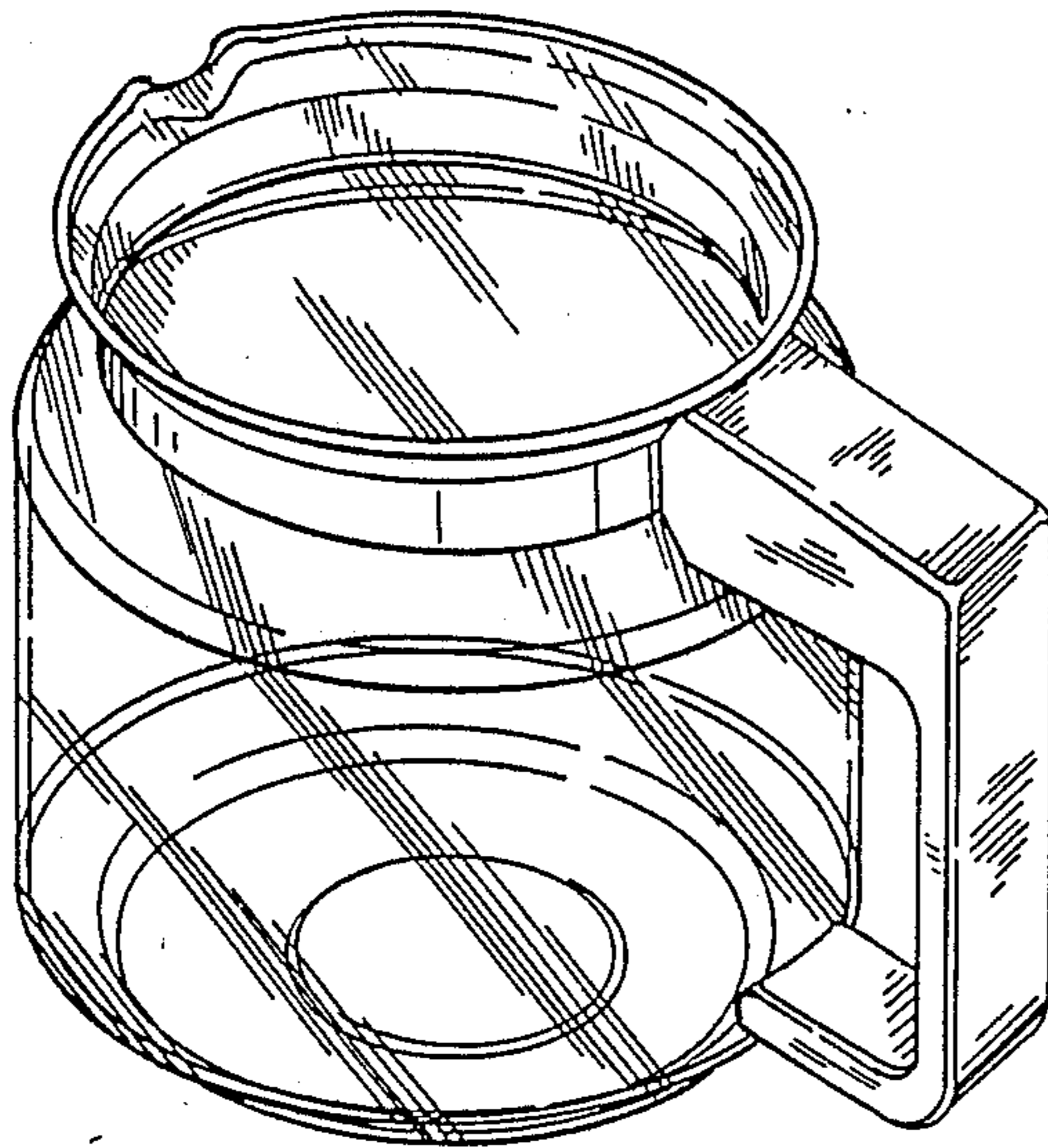


FIG-2

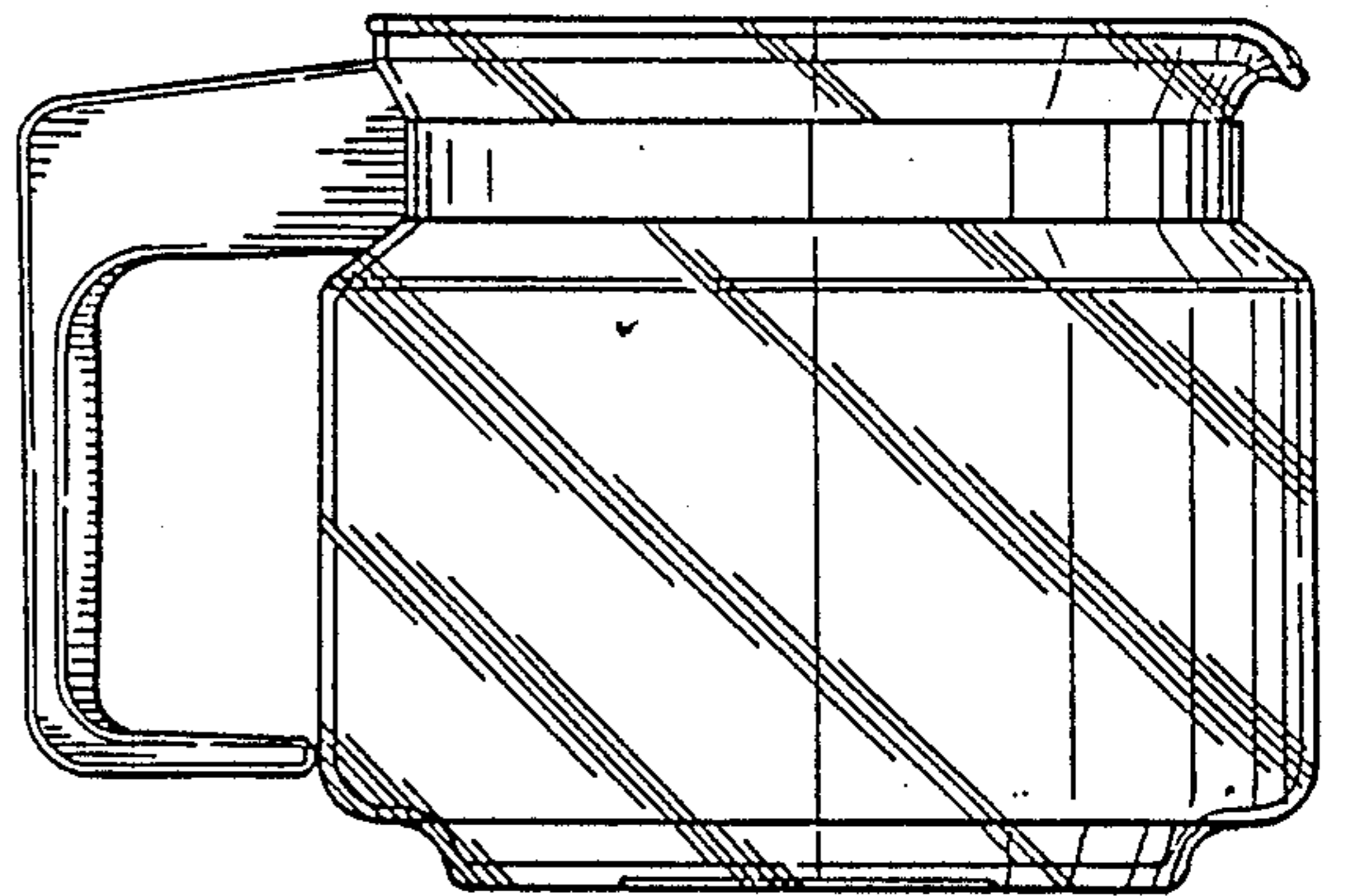


FIG-3

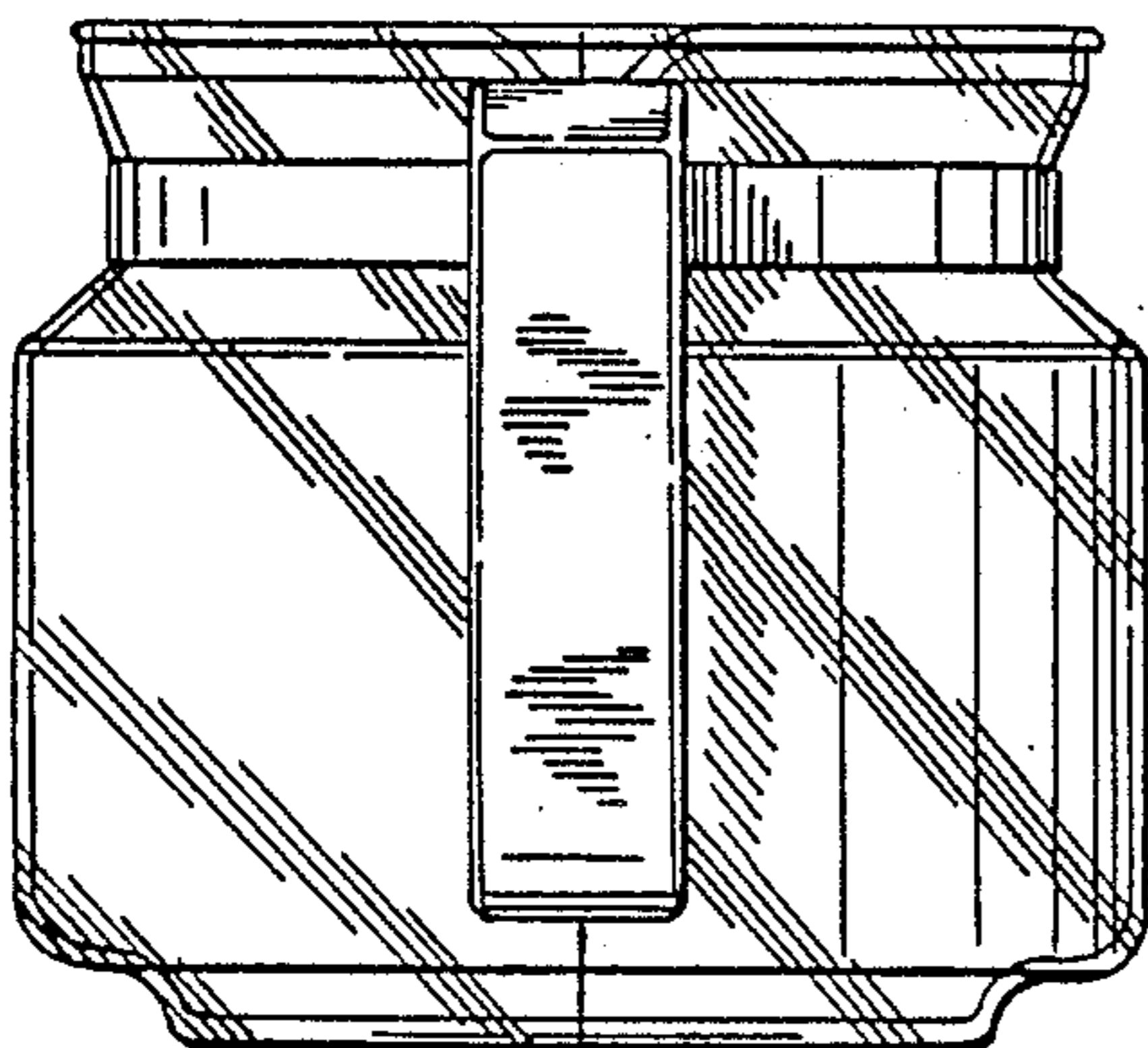


FIG-4

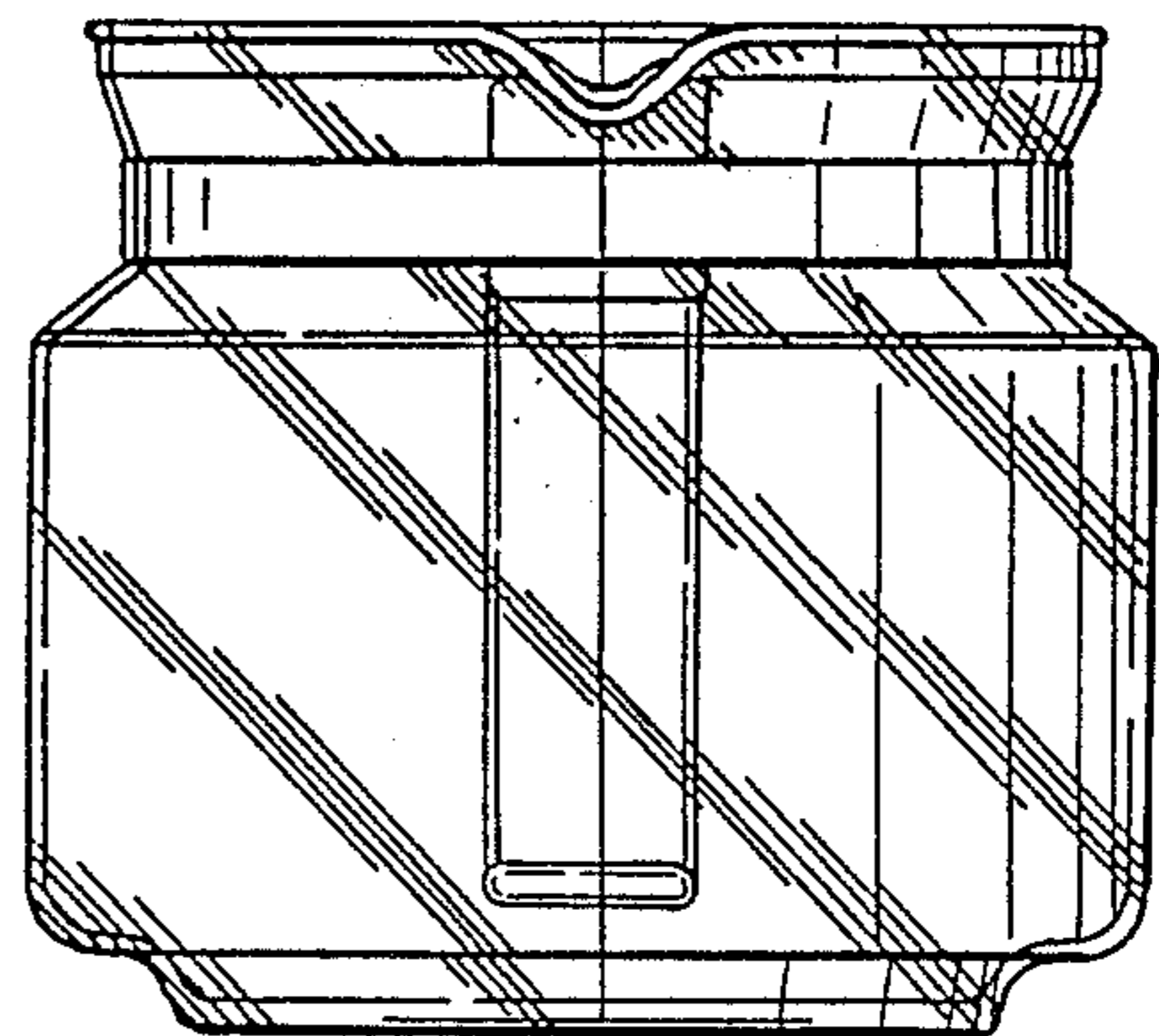


FIG-5

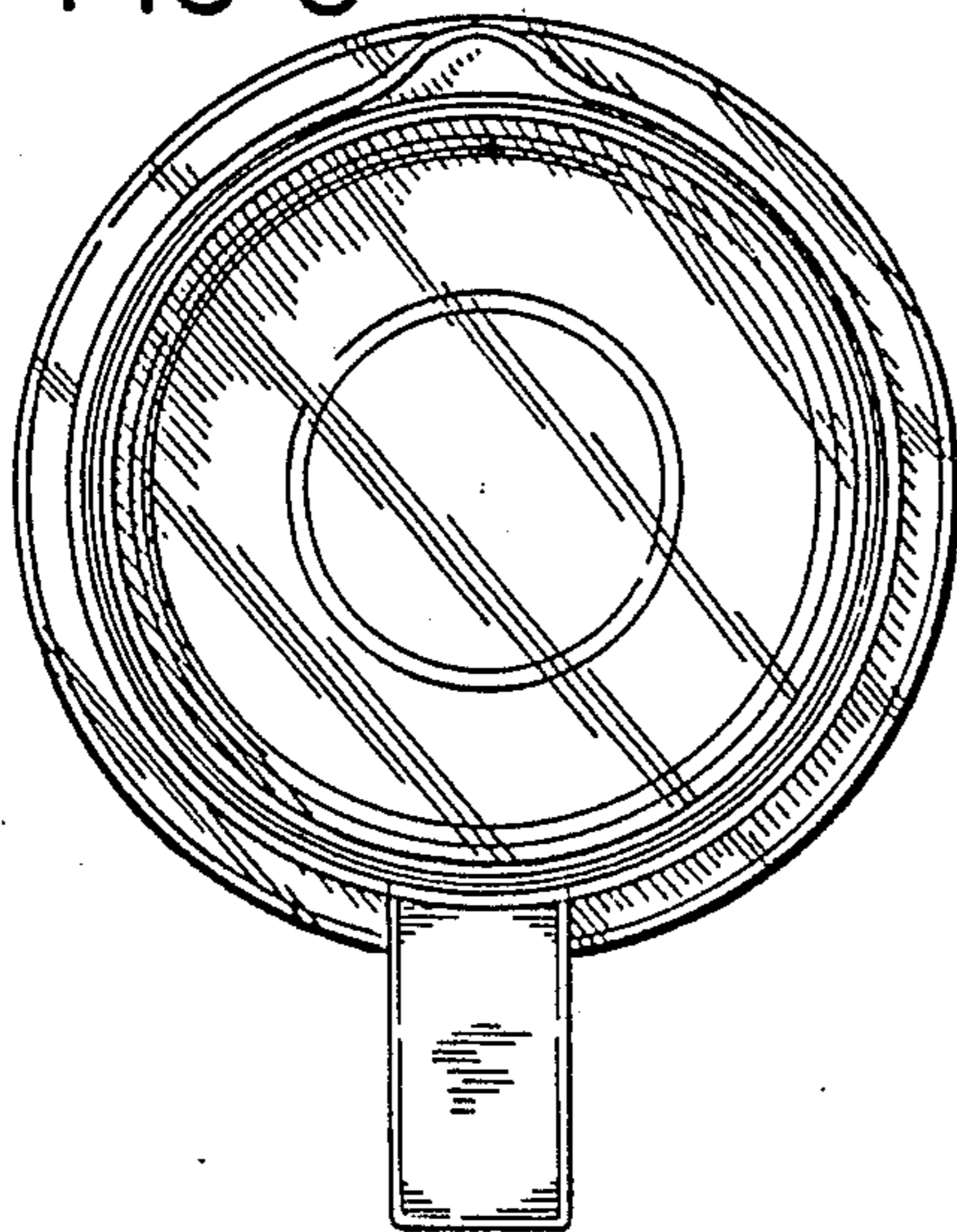


FIG-6

