

United States Patent [19]

Clement et al.

[11] Patent Number: Des. 305,852

[45] Date of Patent: ** Feb. 6, 1990

[54] BATTERY HEATED ICE CREAM SCOOP

[76] Inventors: **Richard N. Clement; Theresa M. Karczmarczyk**, both of 34 Arthur St., Ludlow, Mass. 01056

[**] Term: 14 Years

[21] Appl. No.: 102,594

[22] Filed: Sep. 28, 1987

[52] U.S. Cl. D7/681

[58] Field of Search D7/99, 100;
30/324-328; 425/DIG. 13, 279, 276, 144;
294/55; 219/242, 227

[56] References Cited

U.S. PATENT DOCUMENTS

2,351,568 6/1944 Wheaton 425/276 X
3,513,290 5/1970 Burley et al. 219/242

Primary Examiner—Bernard Ansher
Assistant Examiner—Terry A. Pfeffer
Attorney, Agent, or Firm—Jerry T. Kearns

[57] CLAIM

The ornamental design for a battery heated ice cream scoop, as shown and described.

DESCRIPTION

FIG. 1 is a front elevational view of a battery heated ice cream scoop showing our new design; FIG. 2 is a rear elevational view thereof; FIG. 3 is a left side elevational view thereof; FIG. 4 is a right side elevational view thereof; FIG. 5 is a top plan view thereof; and, FIG. 6 is a bottom plan view thereof.

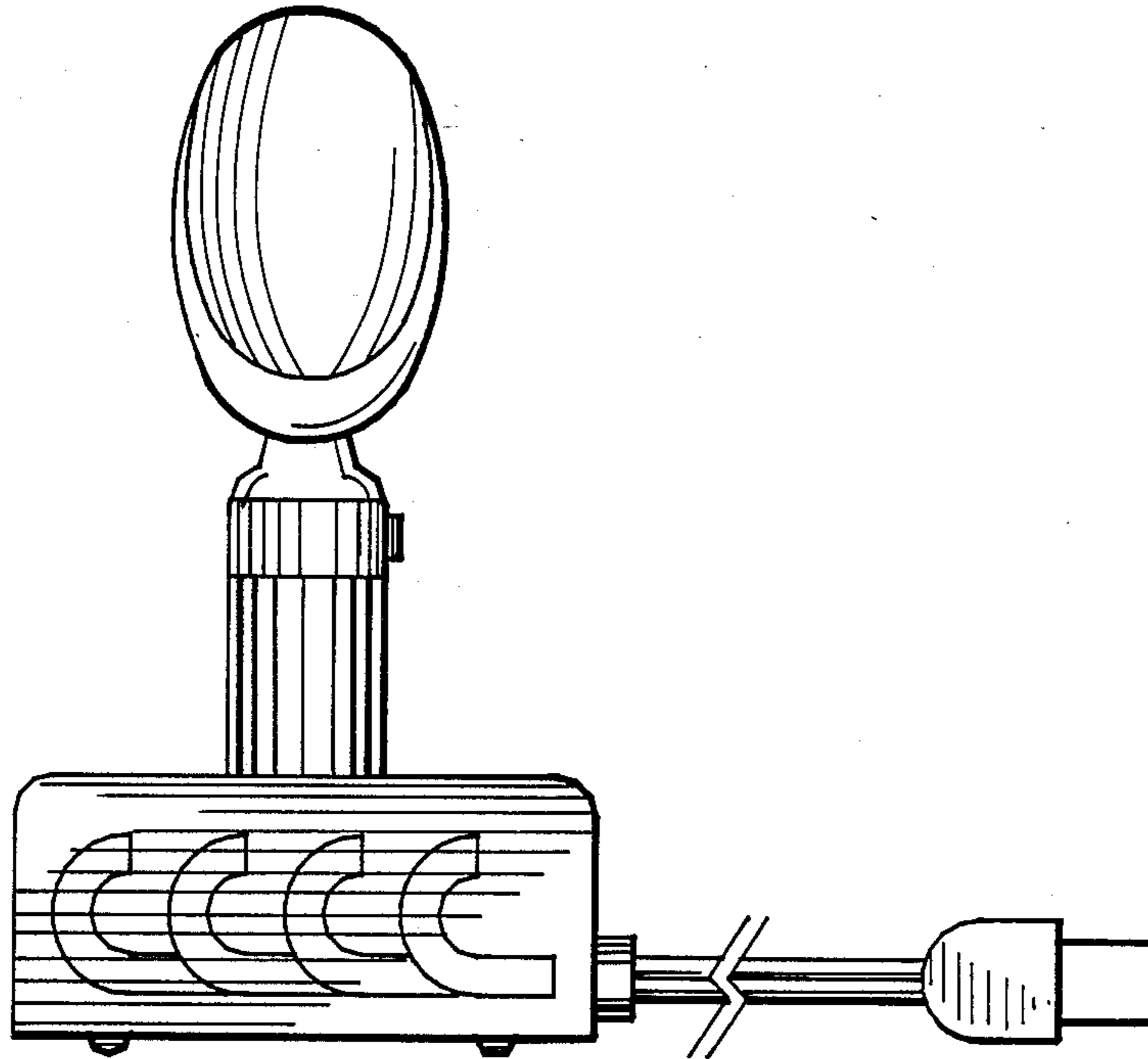


Fig. 1

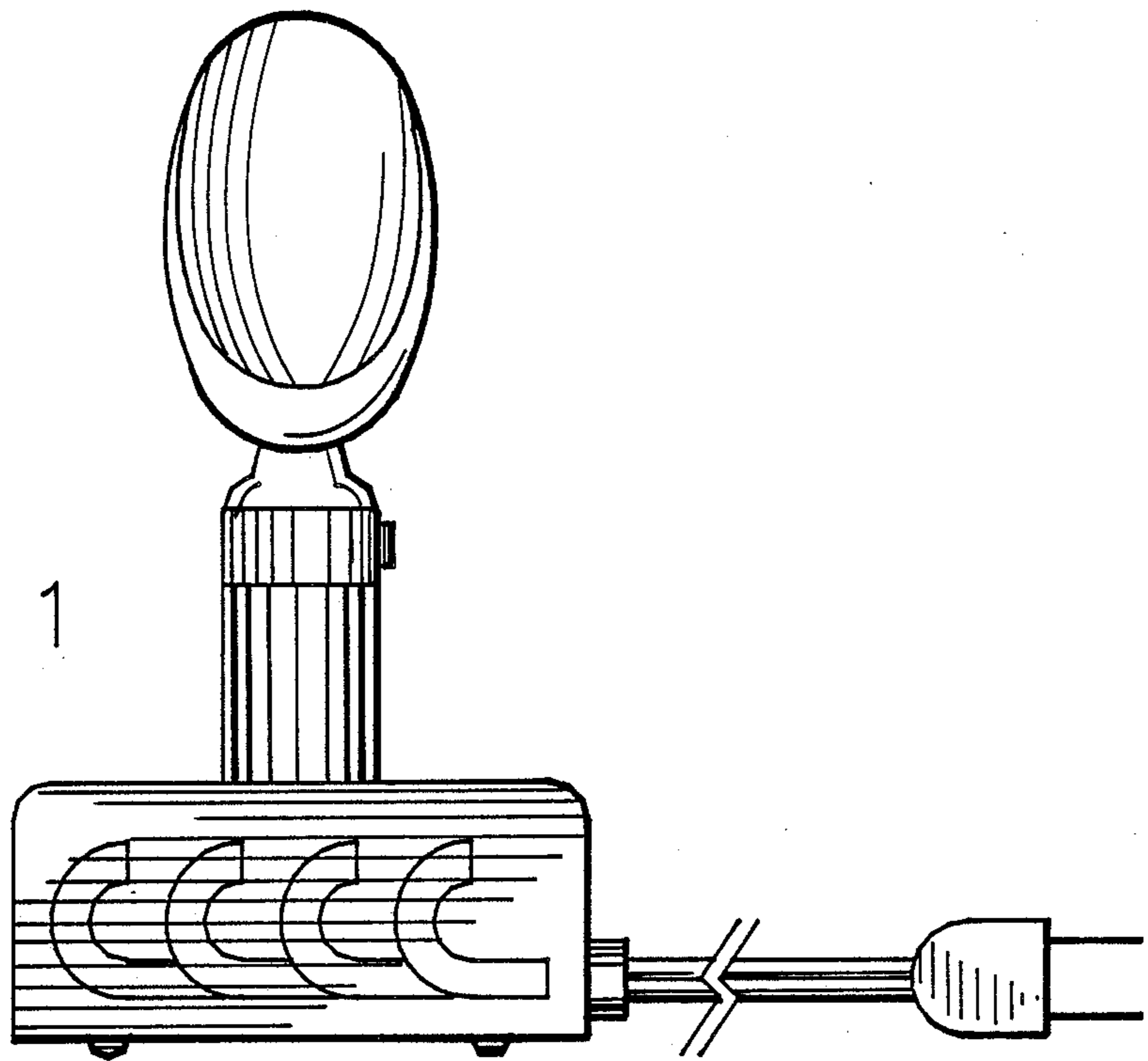
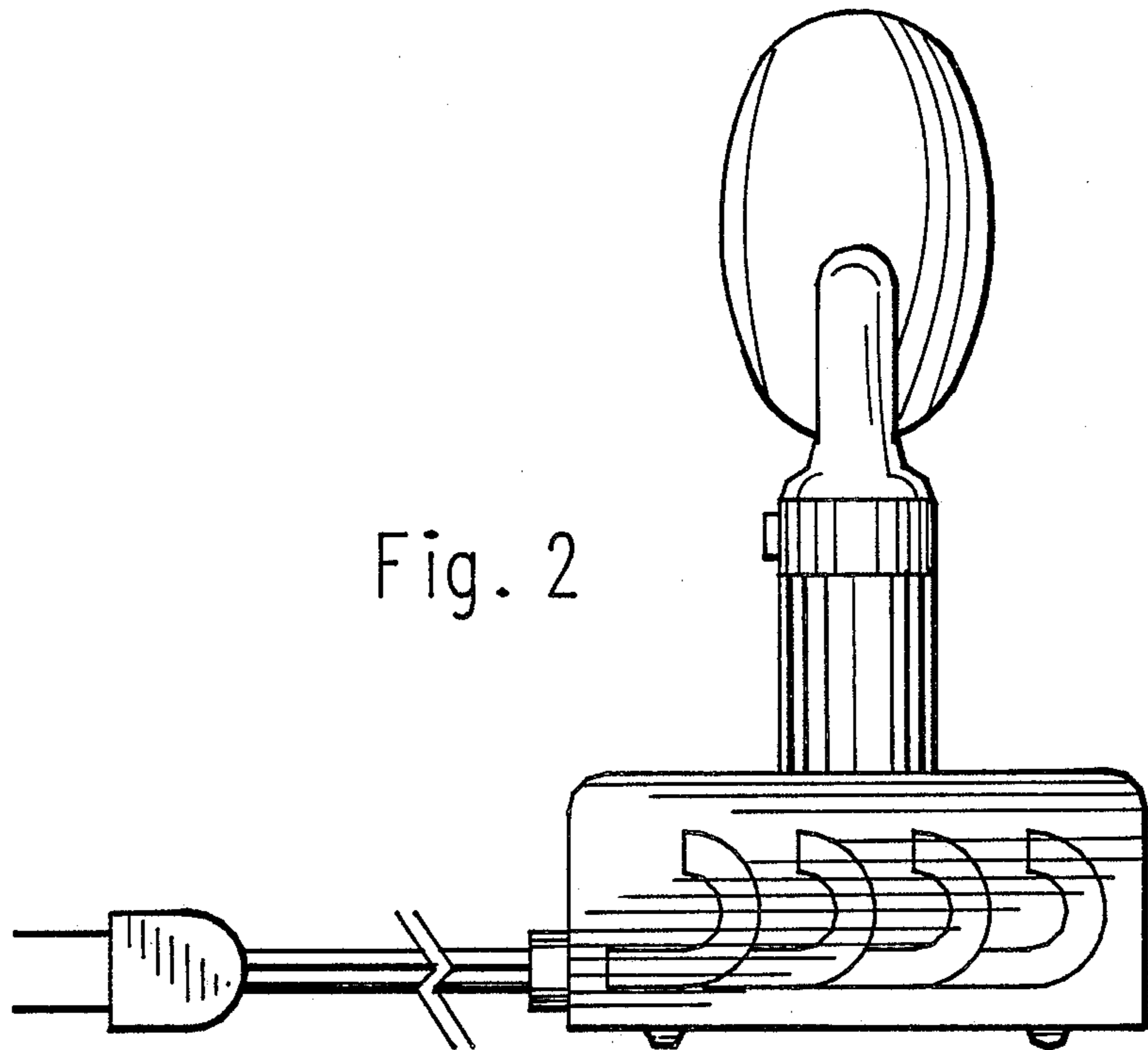


Fig. 2



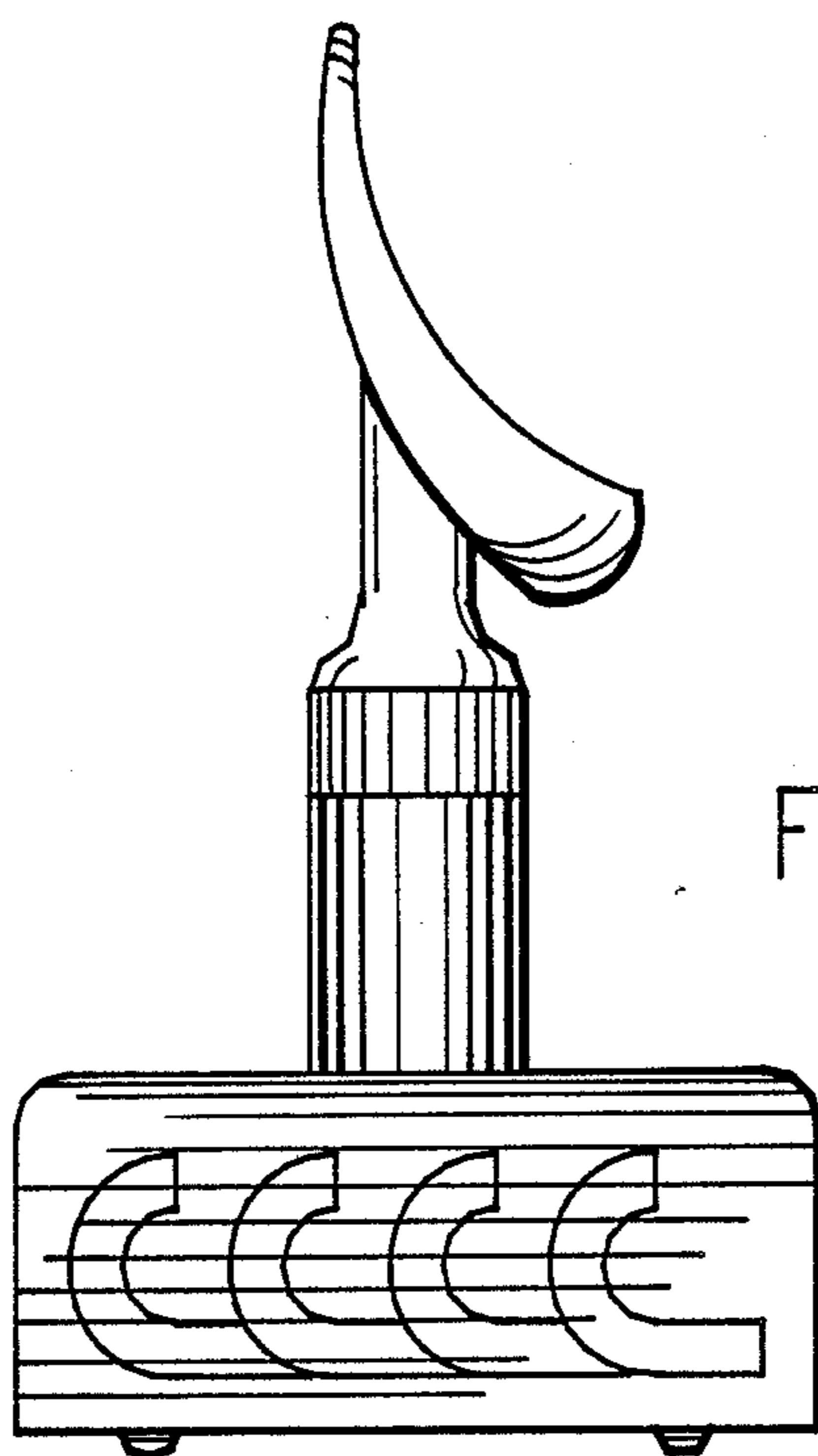


Fig. 3

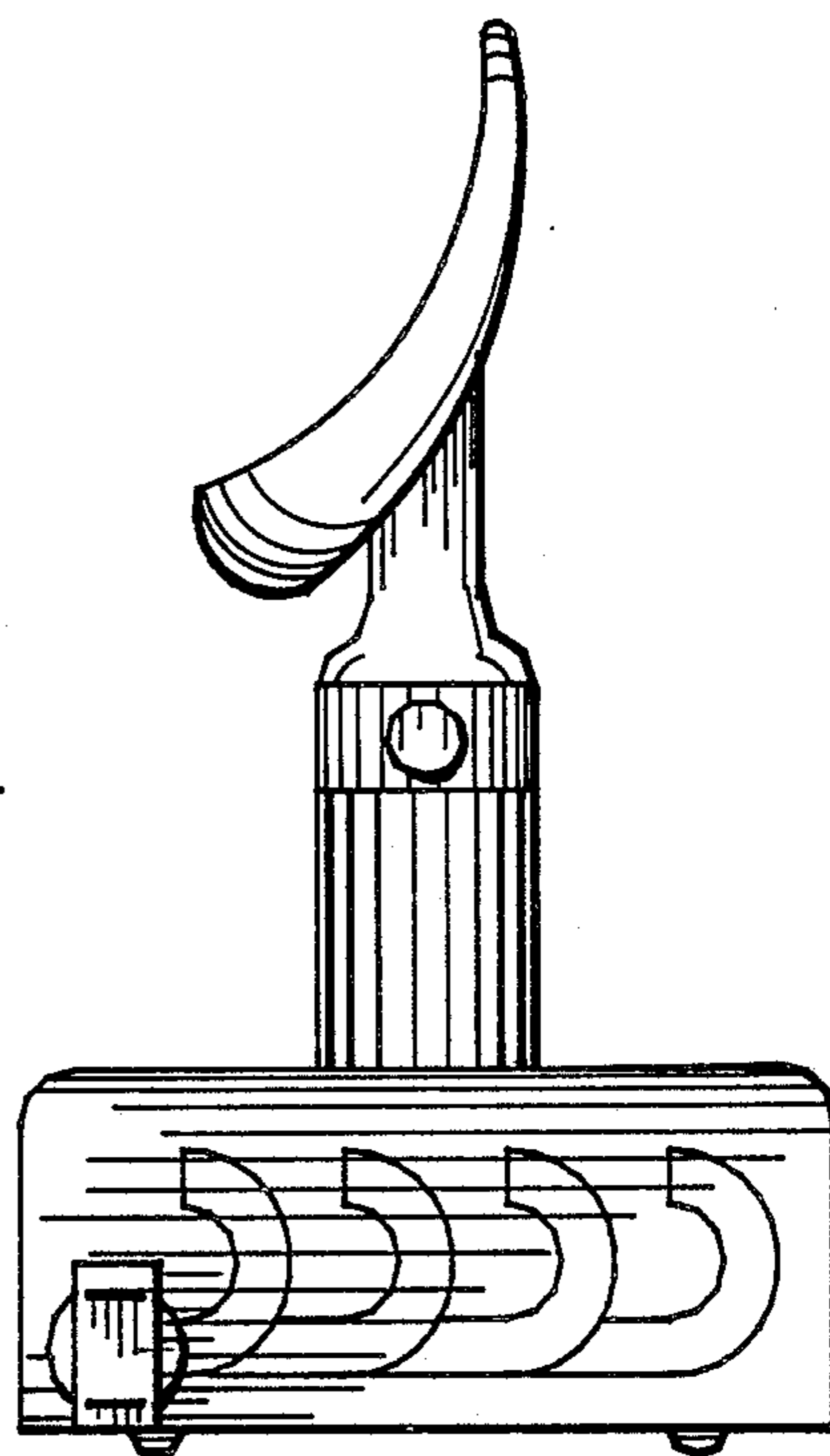


Fig. 4

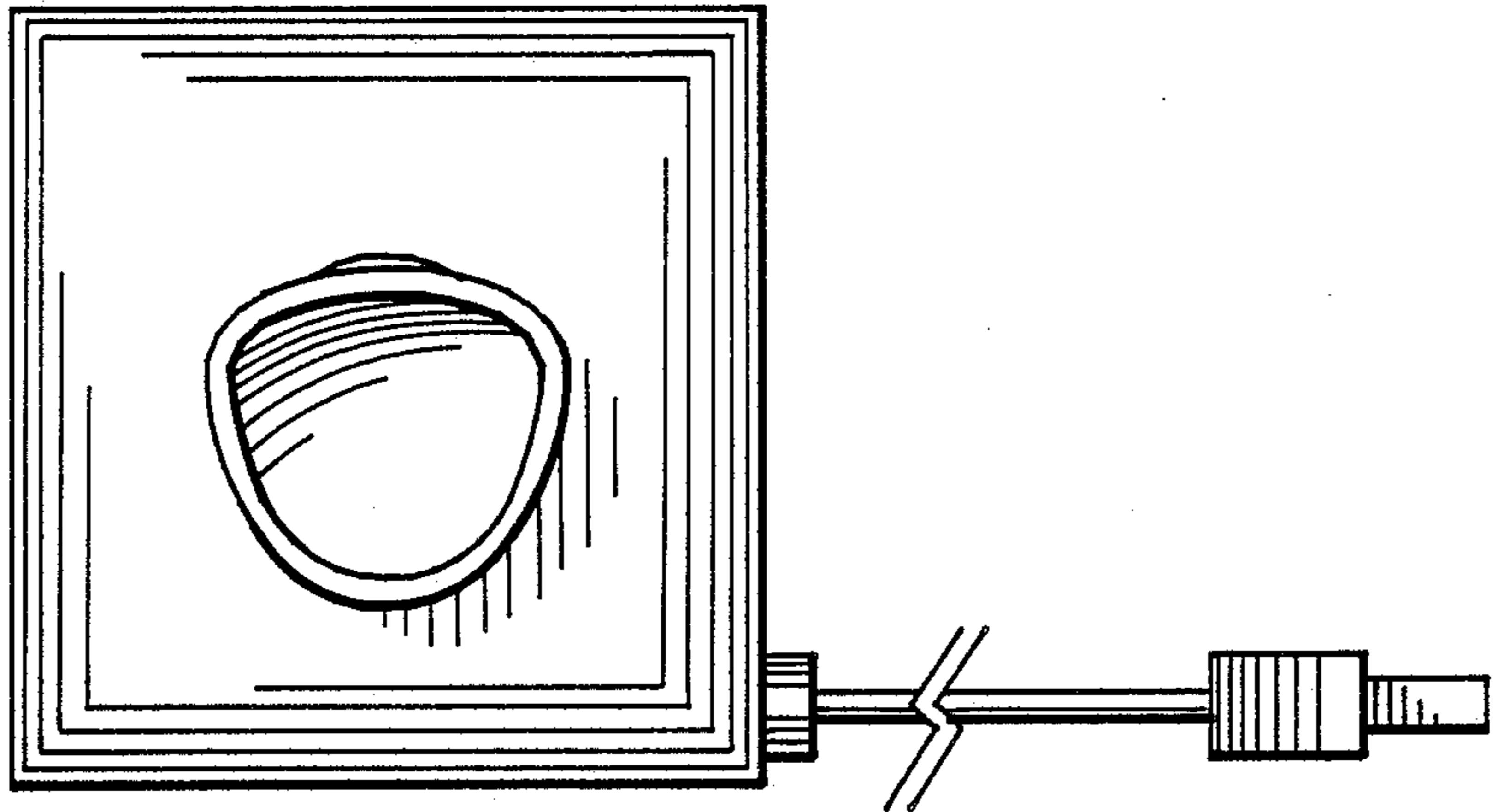


Fig. 5

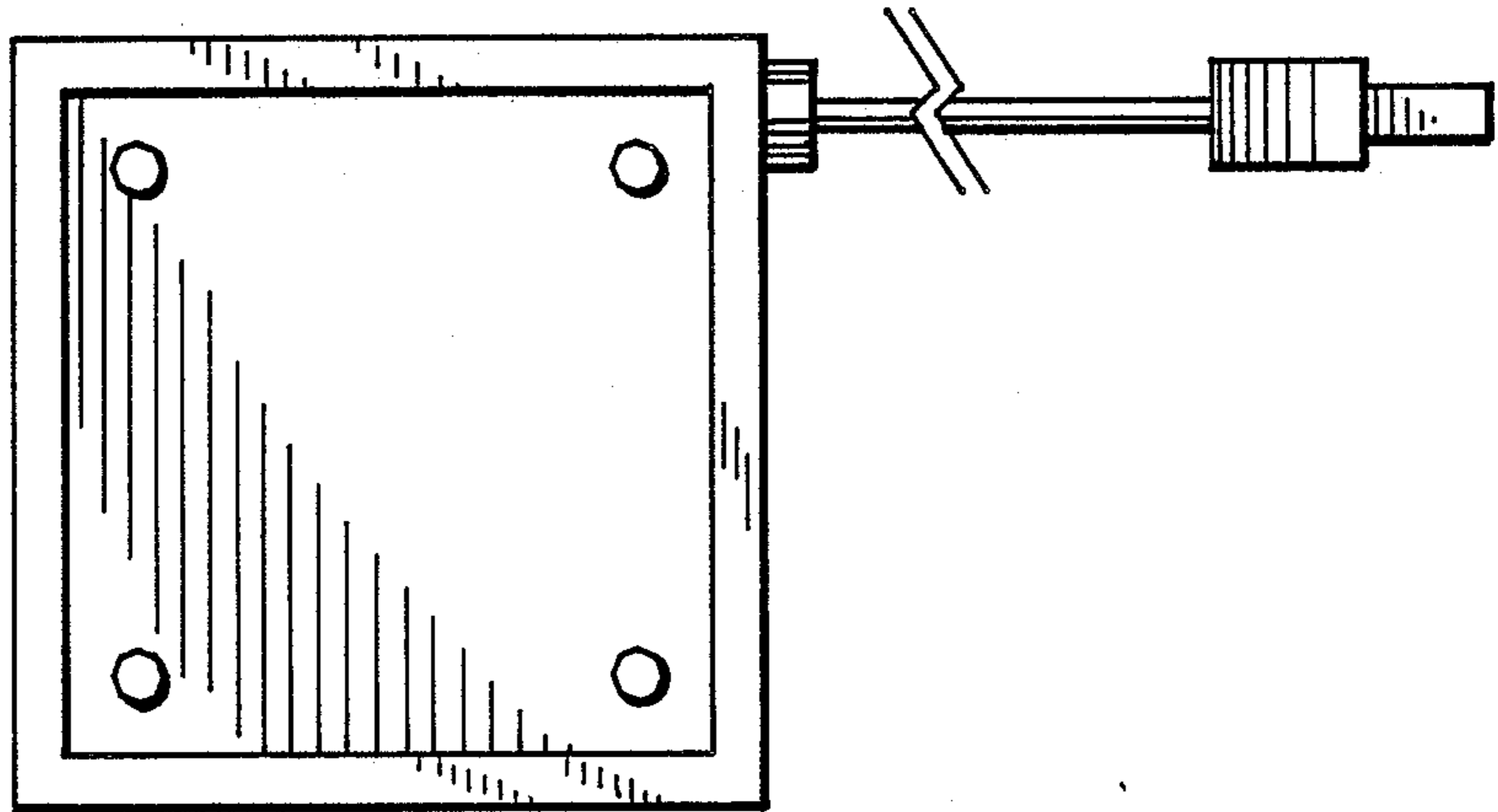


Fig. 6