

[54] **TABLE OR SIMILAR ARTICLE**

[76] **Inventor:** Theodore W. Herr, 1960 N. Lincoln Park W., Chicago, Ill. 60614

[**] **Term:** 14 Years

[21] **Appl. No.:** 6,601

[22] **Filed:** Jan. 15, 1987

[52] **U.S. Cl.** D6/480; 108/161

[58] **Field of Search** D6/396, 423, 442, 449, D6/480, 482, 484, 485, 486, 488, 490, 495, 457; 108/59, 64, 150, 161, 901

[56] **References Cited**

U.S. PATENT DOCUMENTS

- D. 164,075 7/1951 Wallace D6/480
- D. 168,167 11/1952 Molla D6/480
- D. 178,621 8/1956 Koert D6/480

D. 231,885 6/1974 Kephart D6/480

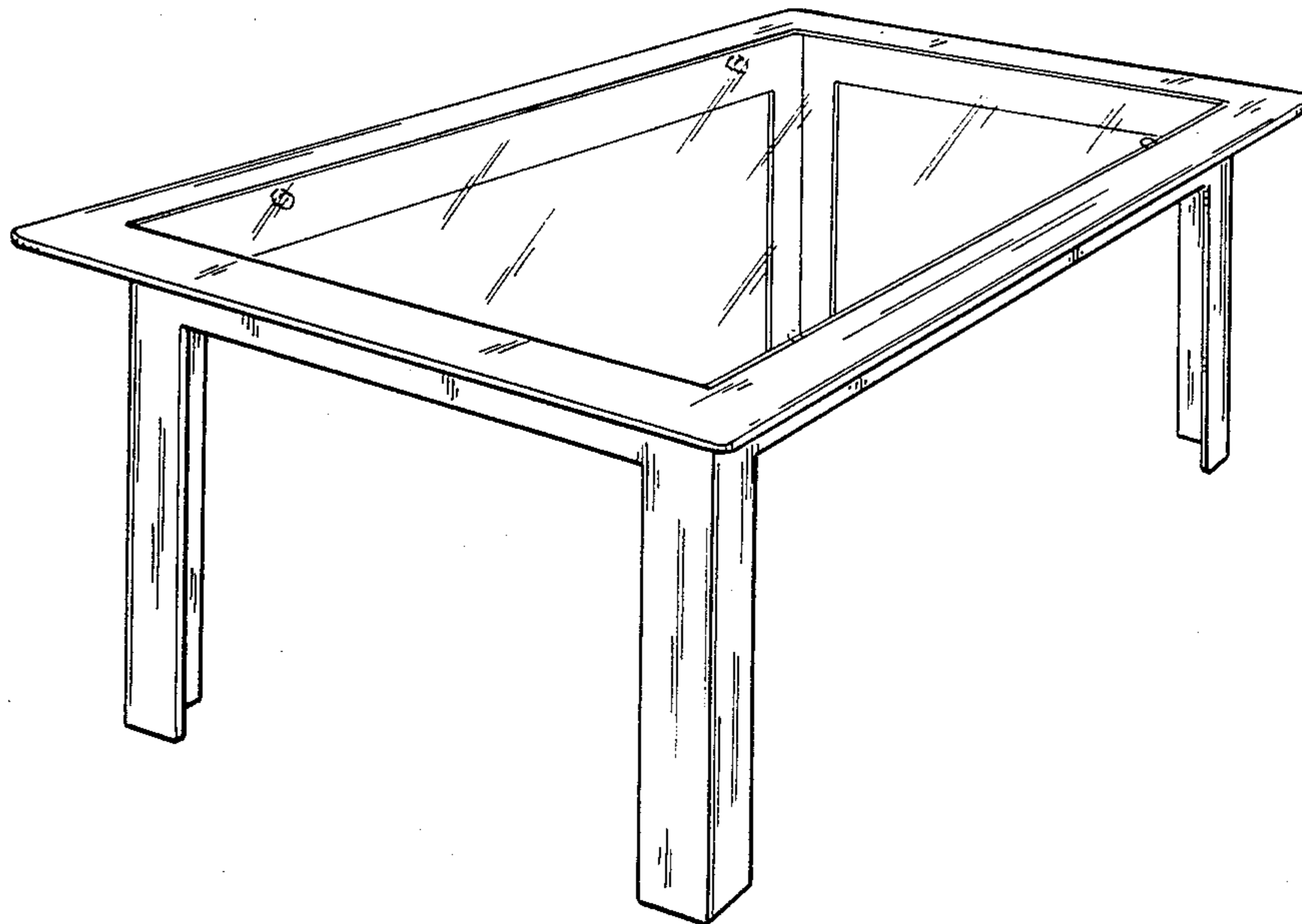
Primary Examiner—Carmen H. Vales-Lado
Assistant Examiner—Schon C. Oppert

[57] **CLAIM**

The ornamental design for a table or similar article, as shown and described.

DESCRIPTION

FIG. 1 is a perspective view of a table or similar article showing my new design;
FIG. 2 is a top plan view thereof;
FIG. 3 is a front elevational view thereof;
FIG. 4 is a rear elevational view thereof;
FIG. 5 is a bottom plan view thereof;
FIG. 6 is a side elevational view thereof; and
FIG. 7 is a side elevational view thereof opposite that shown in FIG. 6.



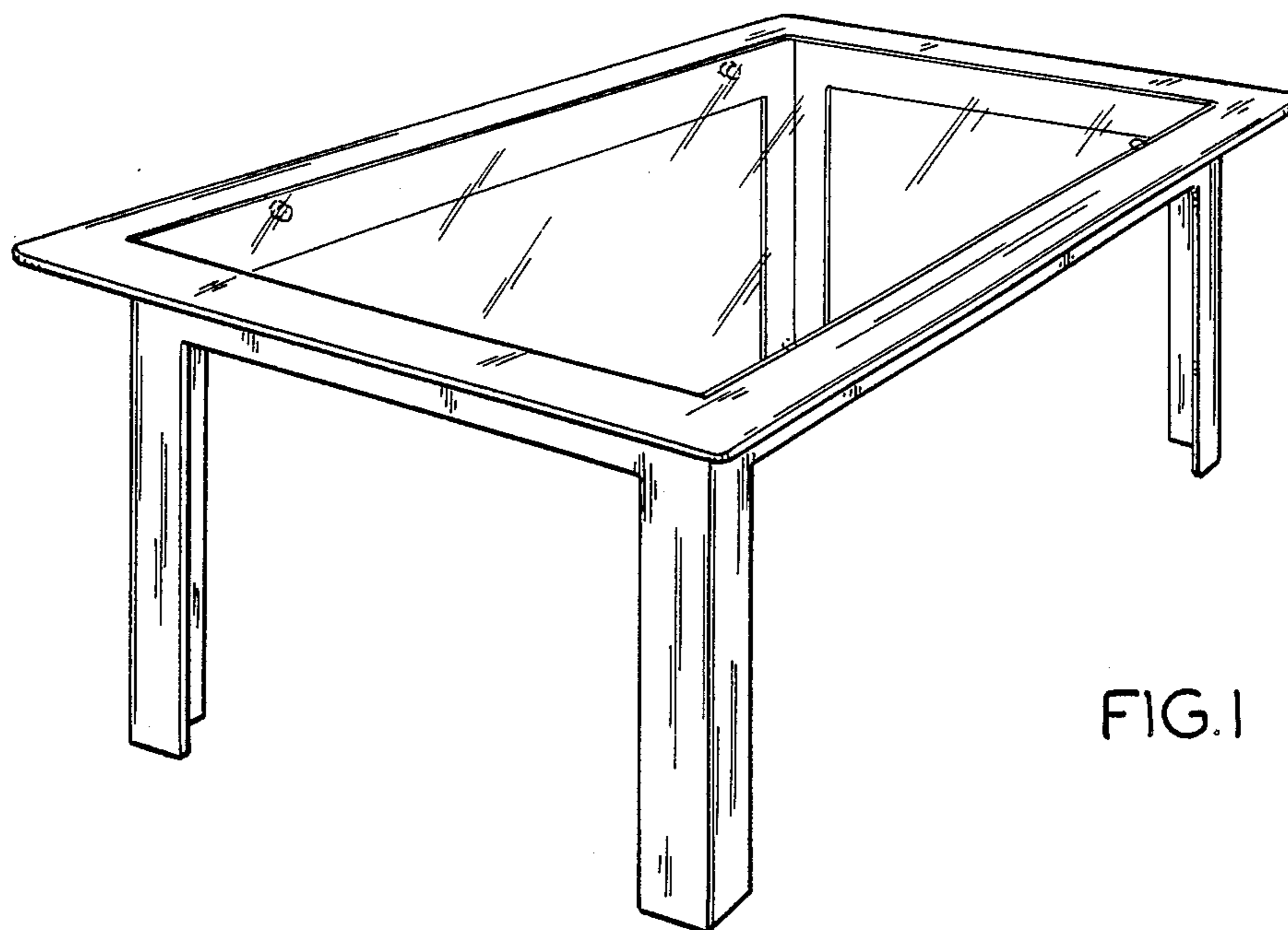


FIG. 1

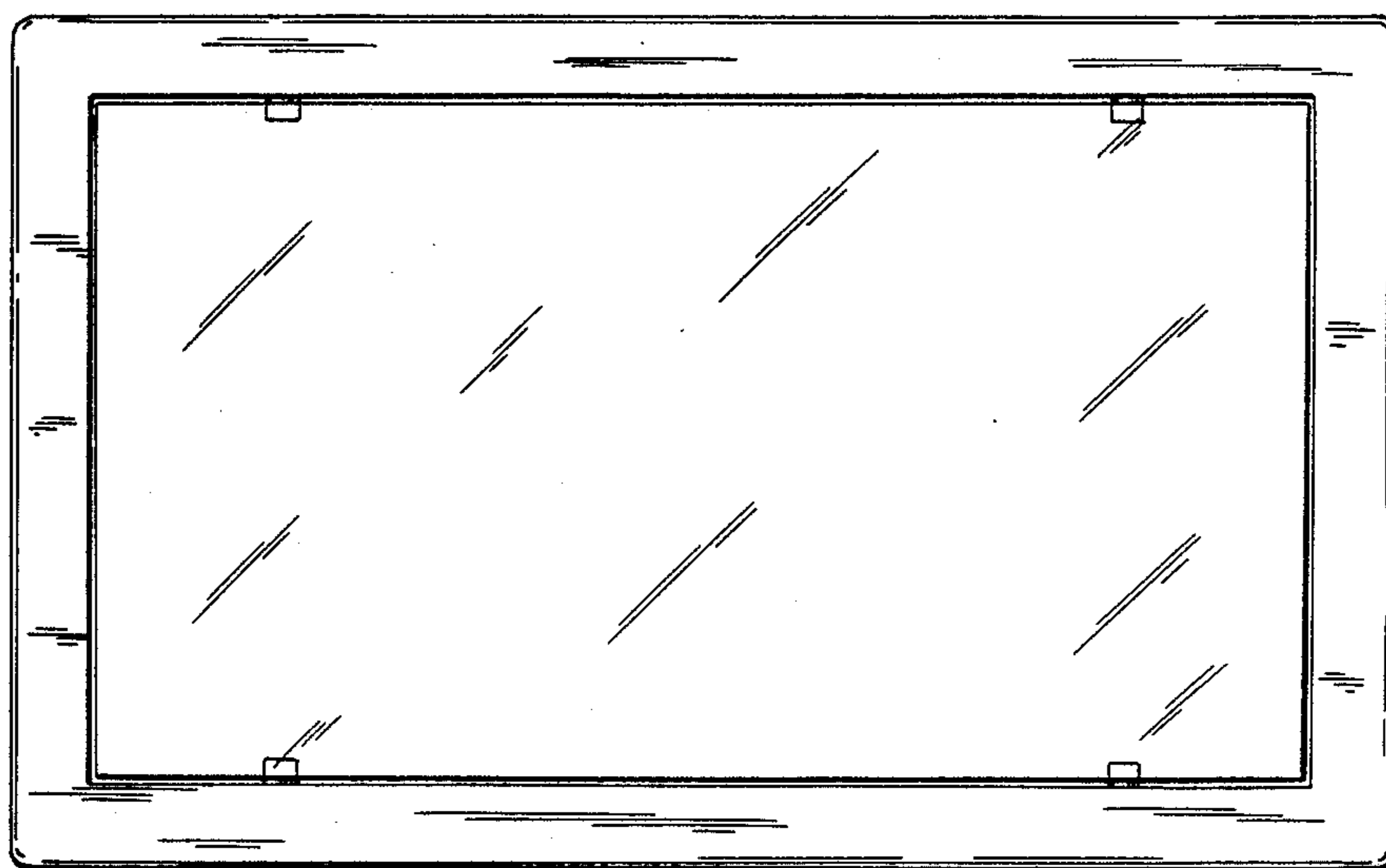


FIG. 2

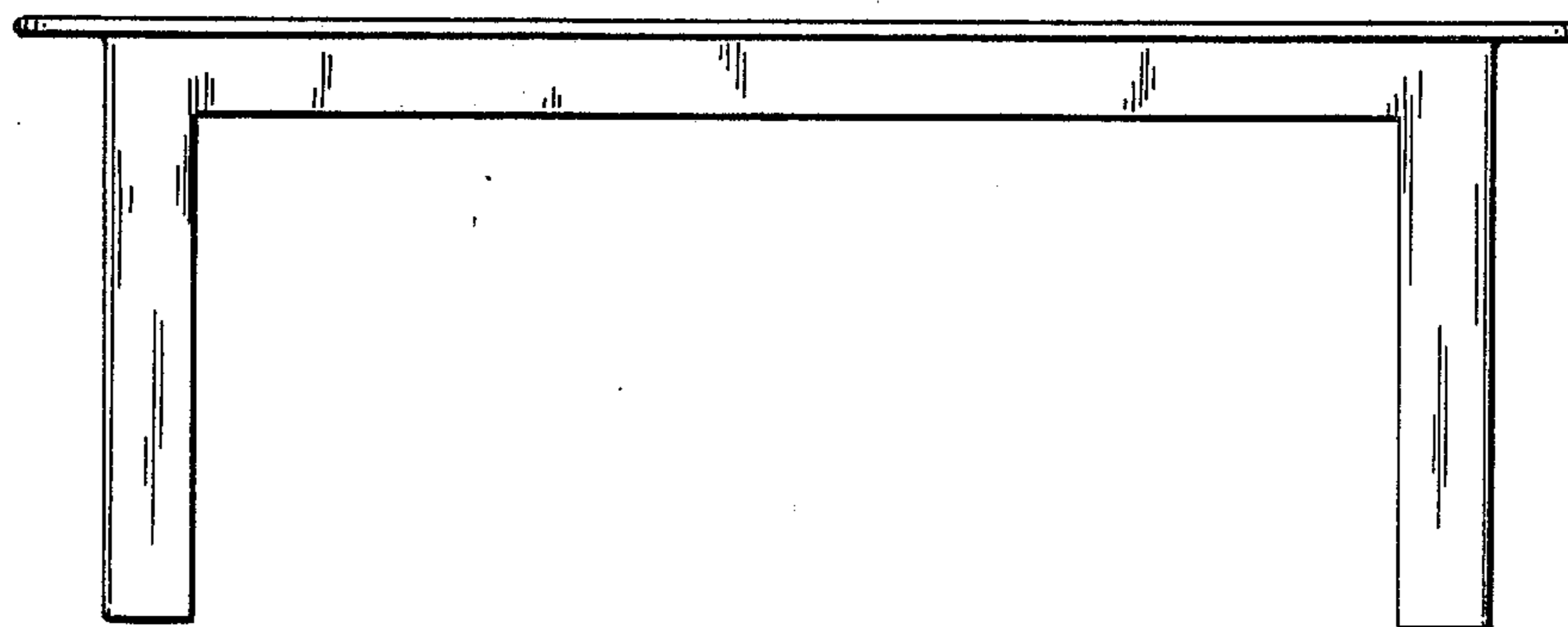


FIG. 3

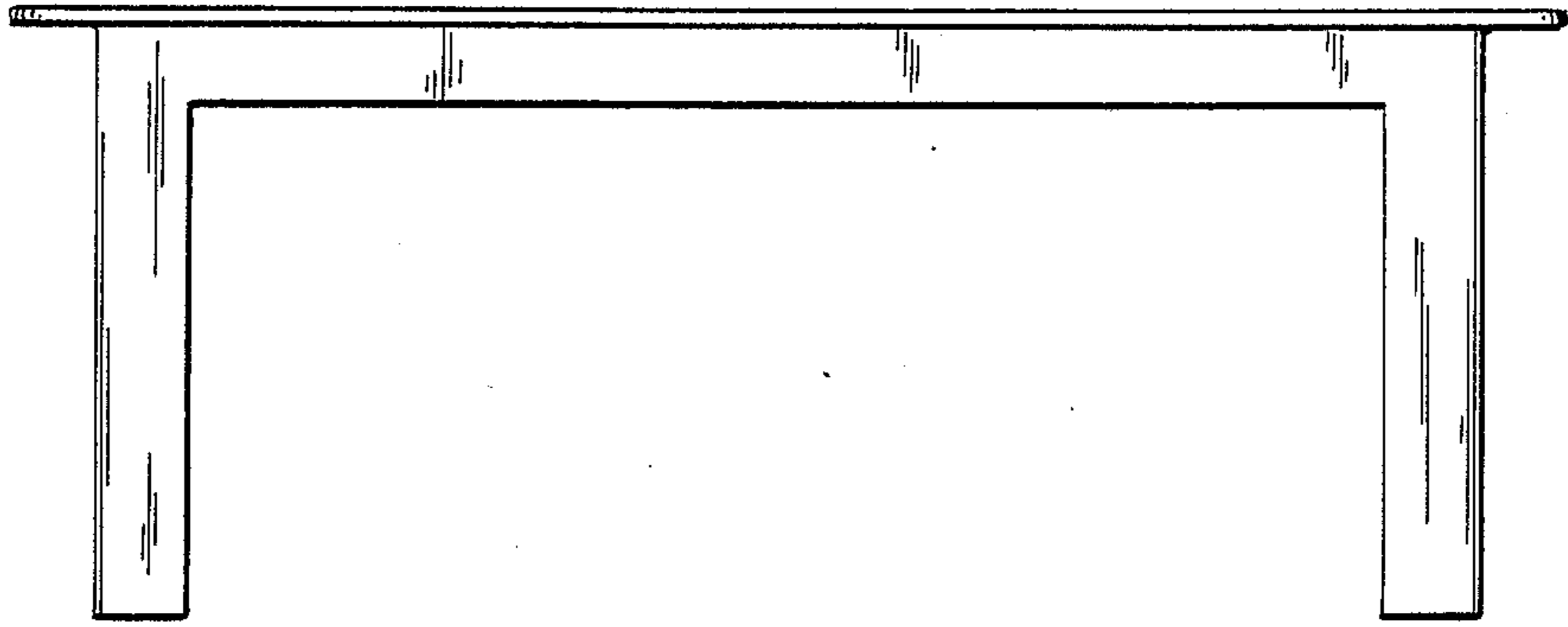


FIG. 4

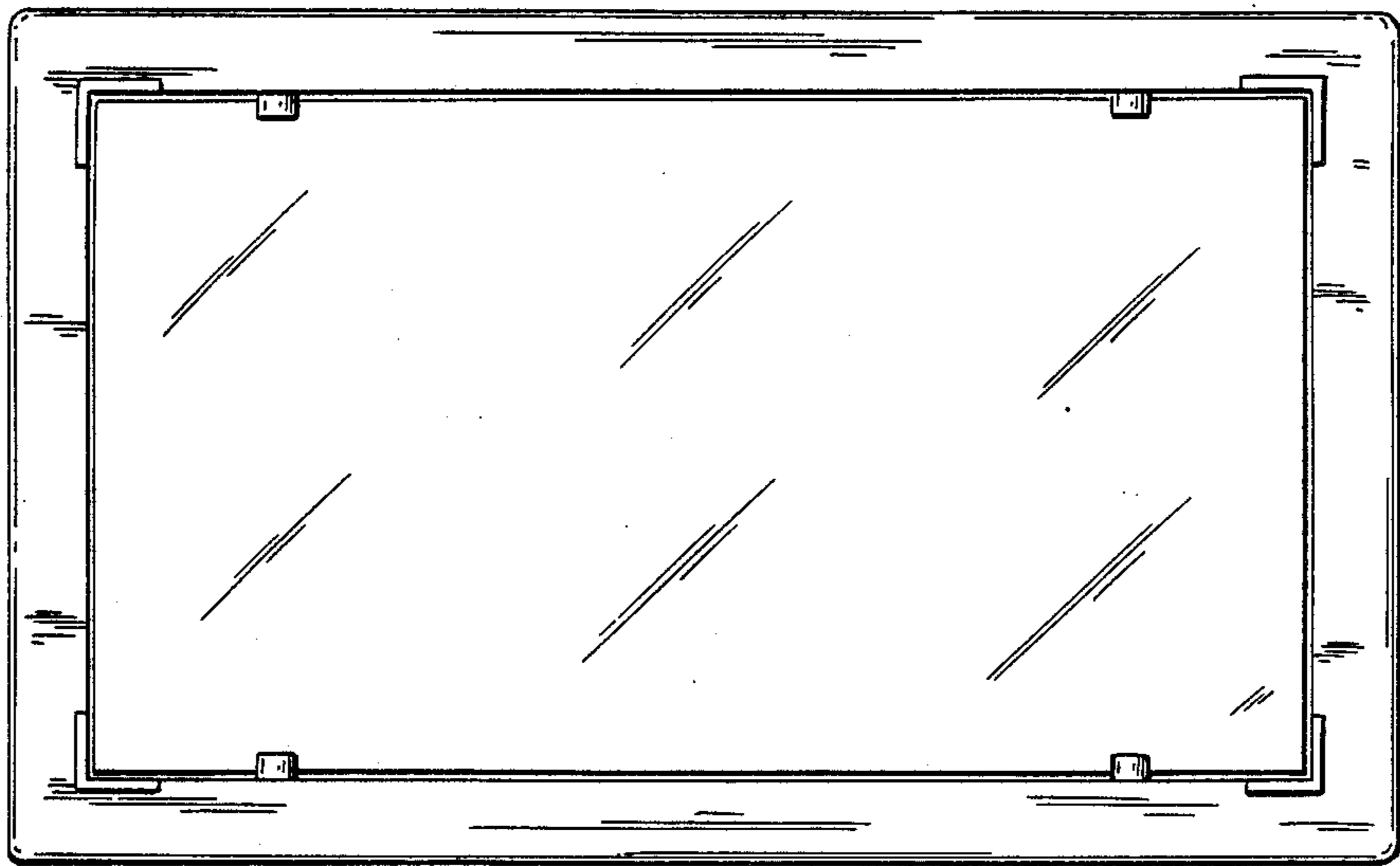


FIG. 5

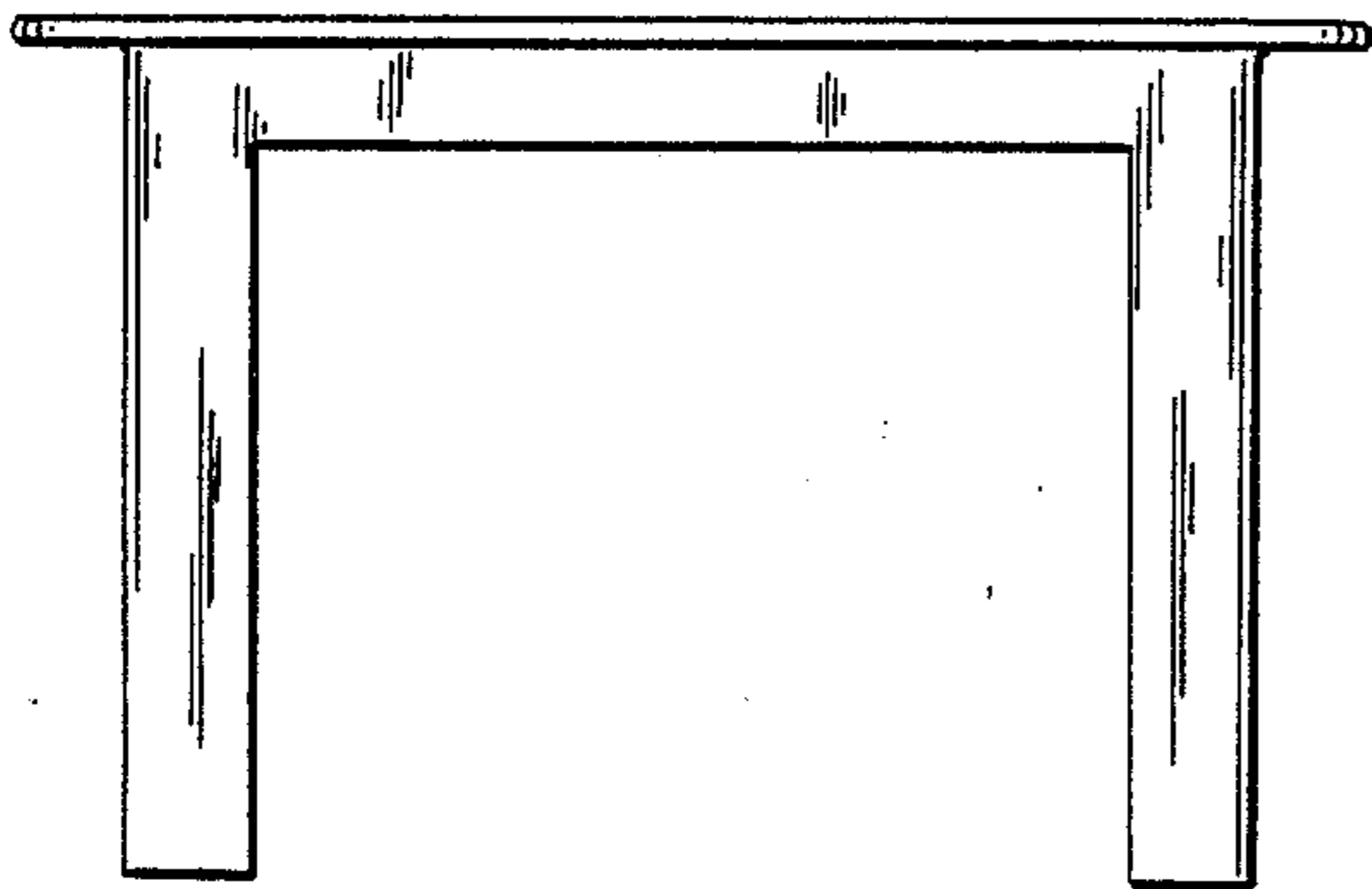


FIG. 6

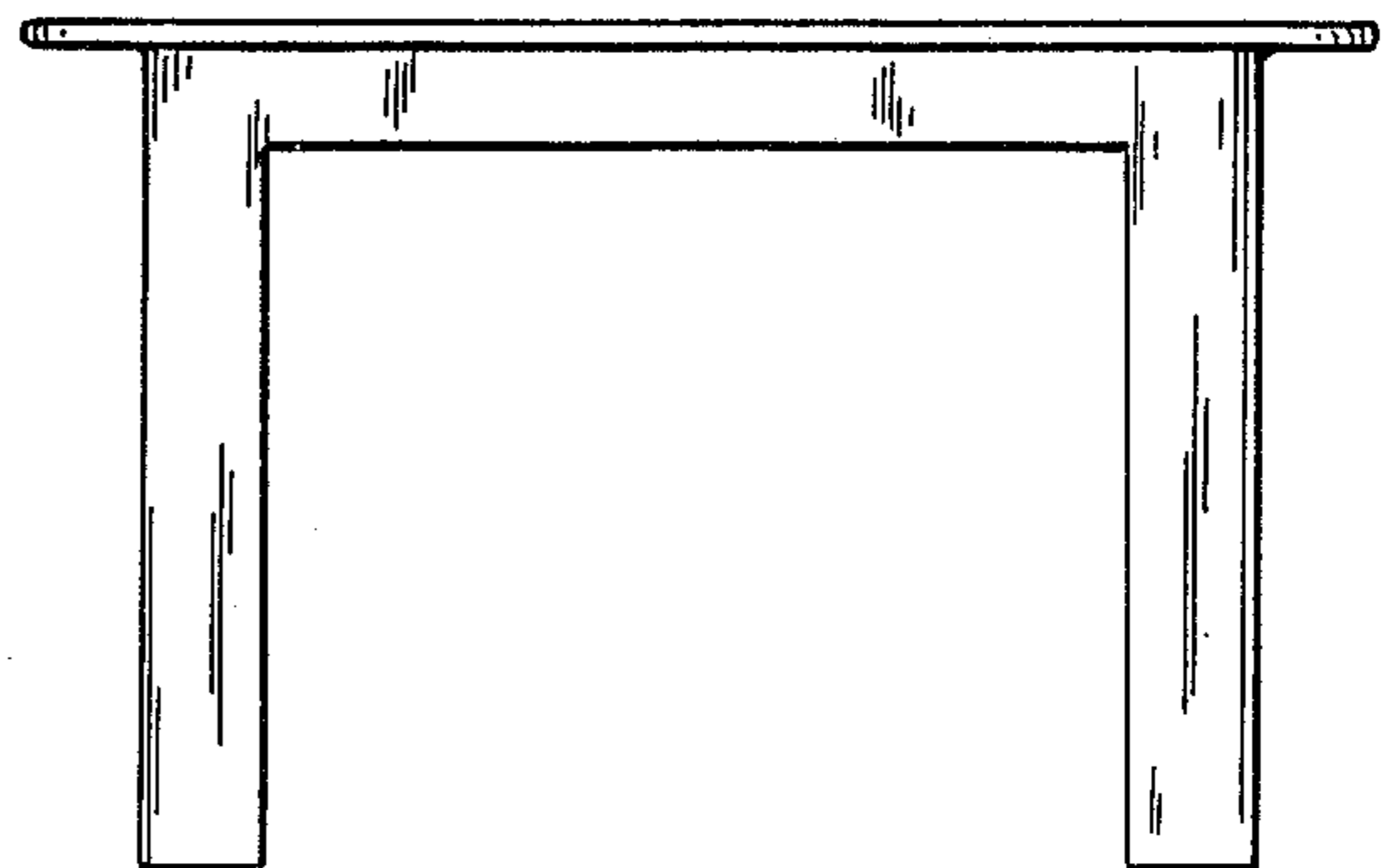


FIG. 7