

United States Patent [19]

Mepham

[11] Patent Number: **Des. 305,840**

[45] Date of Patent: **** Feb. 6, 1990**

[54] SHELF UNIT

[76] Inventor: **Edward J. Mepham**, 1502 Huron,
Royal Oak, Mich. 48073

[**] Term: **14 Years**

[21] Appl. No.: **47,062**

[22] Filed: **May 8, 1987**

[52] U.S. Cl. **D6/474; D6/479**

[58] Field of Search **D6/474, 477, 478, 479;**
108/92, 96; 211/13

[56] **References Cited**

U.S. PATENT DOCUMENTS

D. 28,365	3/1898	Yunck	D6/474
D. 105,483	8/1937	Fisher	D6/474
D. 106,184	9/1937	Erickson	D6/474
D. 120,729	5/1940	Erickson	D6/474

D. 299,093 12/1988 Burdick D6/474
4,151,803 5/1979 Ferrera et al. 108/41

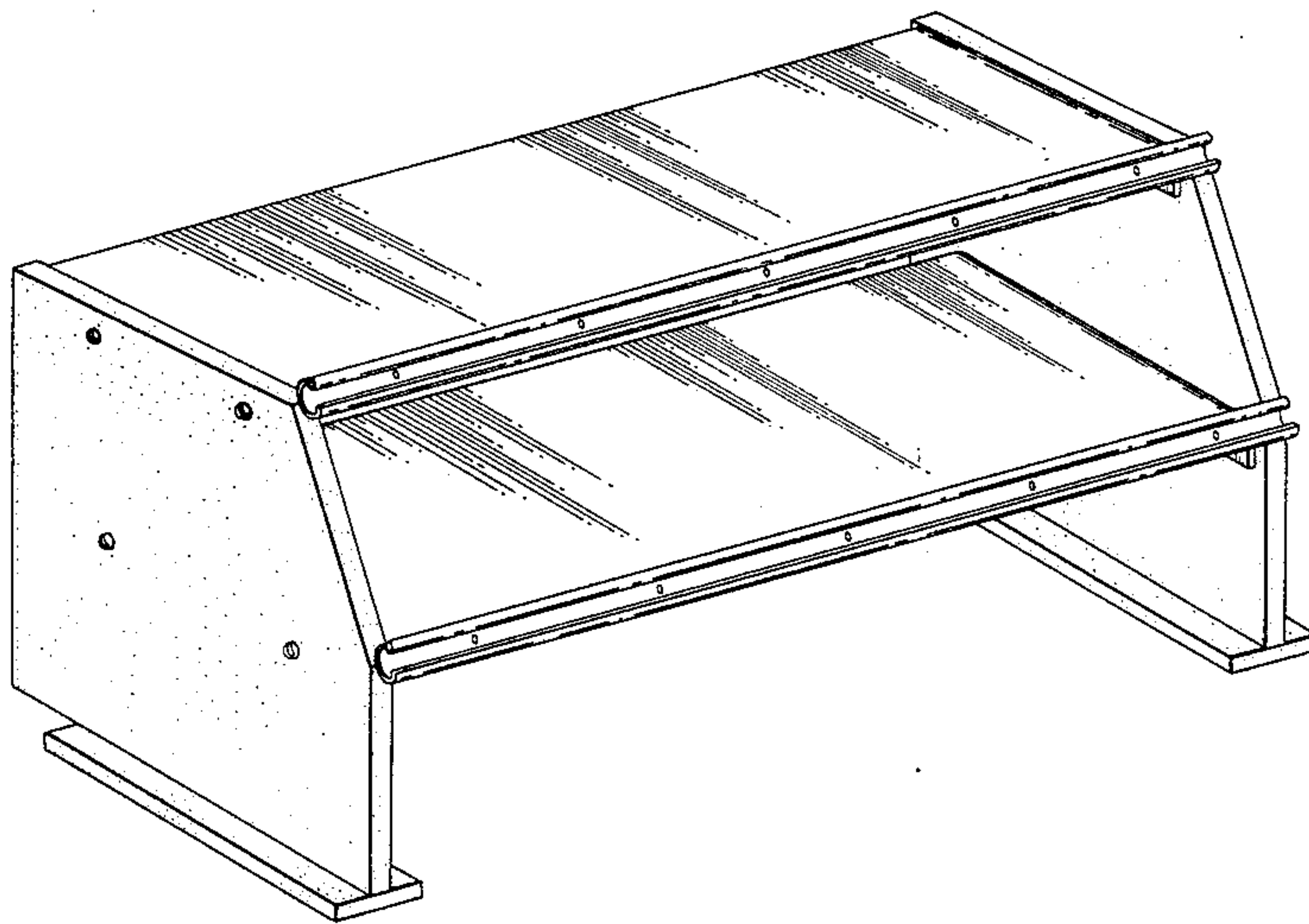
Primary Examiner—Carmen H. Vales-Lado
Attorney, Agent, or Firm—Reising, Ethington, Barnard,
Perry & Milton

[57] **CLAIM**

The ornamental design for a shelf unit, as shown and described.

DESCRIPTION

FIG. 1 is a front elevational view of a shelf unit showing my new design;
FIG. 2 is a top plan view thereof;
FIG. 3 is a right side elevational view thereof;
FIG. 4 is a cross sectional view taken along line 4—4 of FIG. 1;
FIG. 5 is a rear elevational view thereof; and
FIG. 6 is a perspective view thereof.



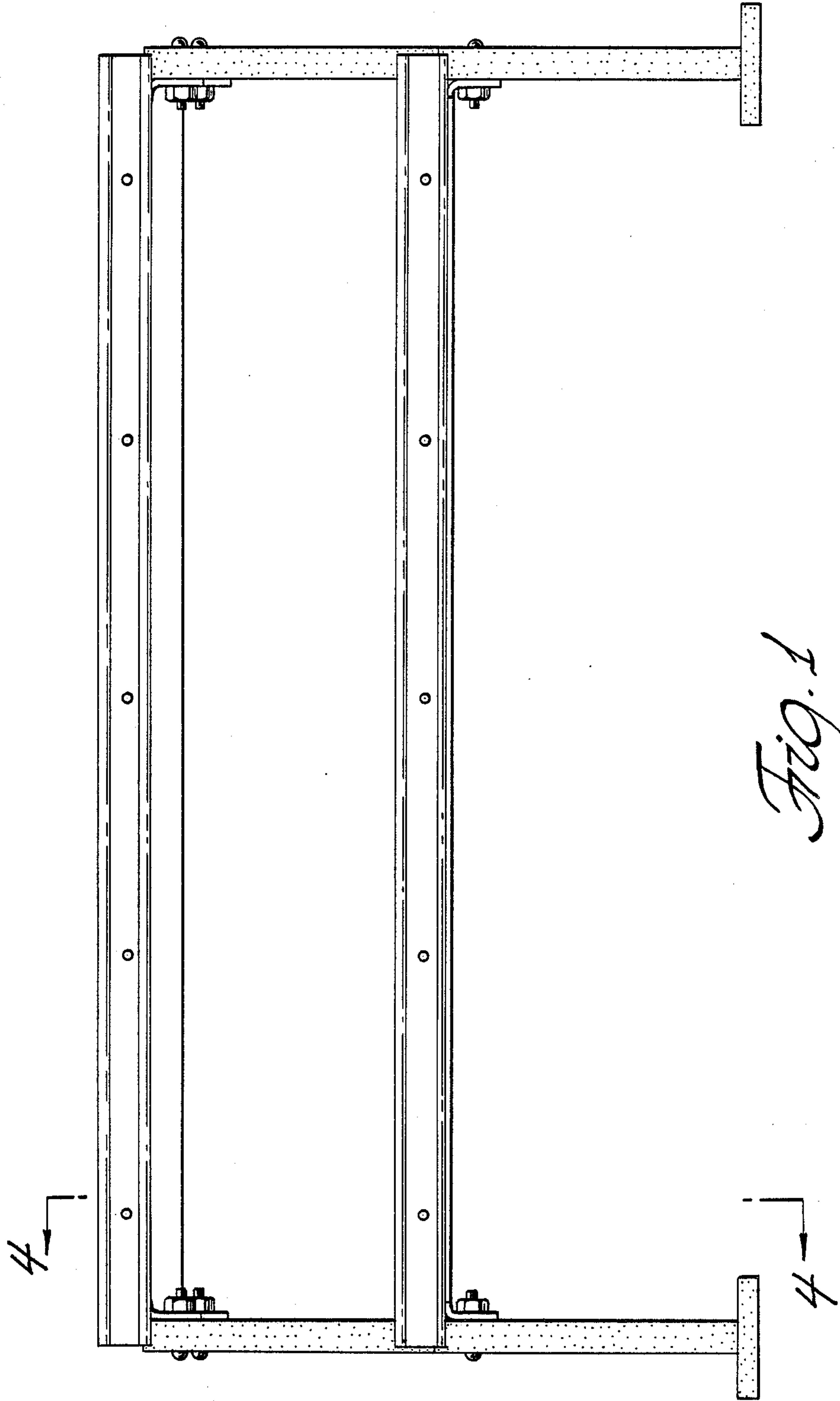


Fig. 1

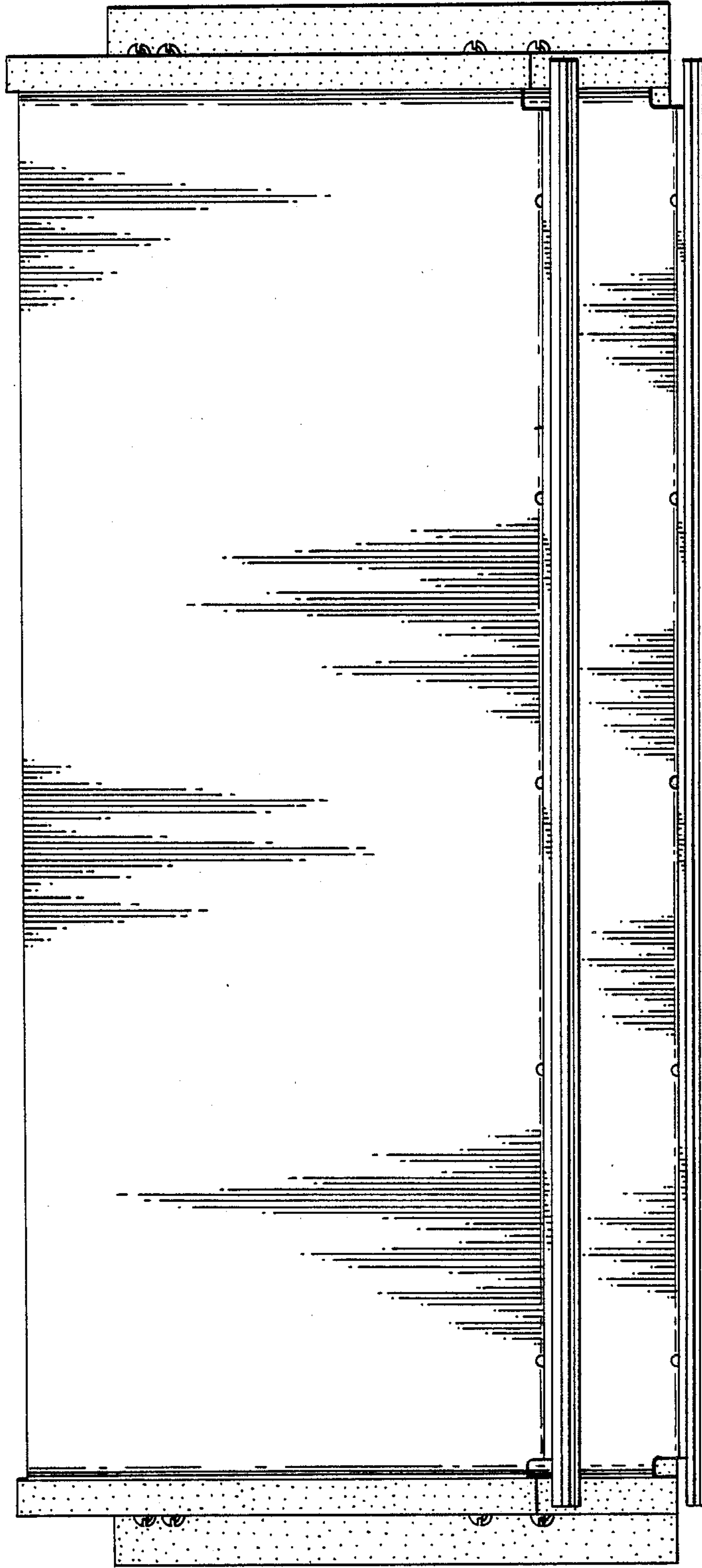


Fig. 2

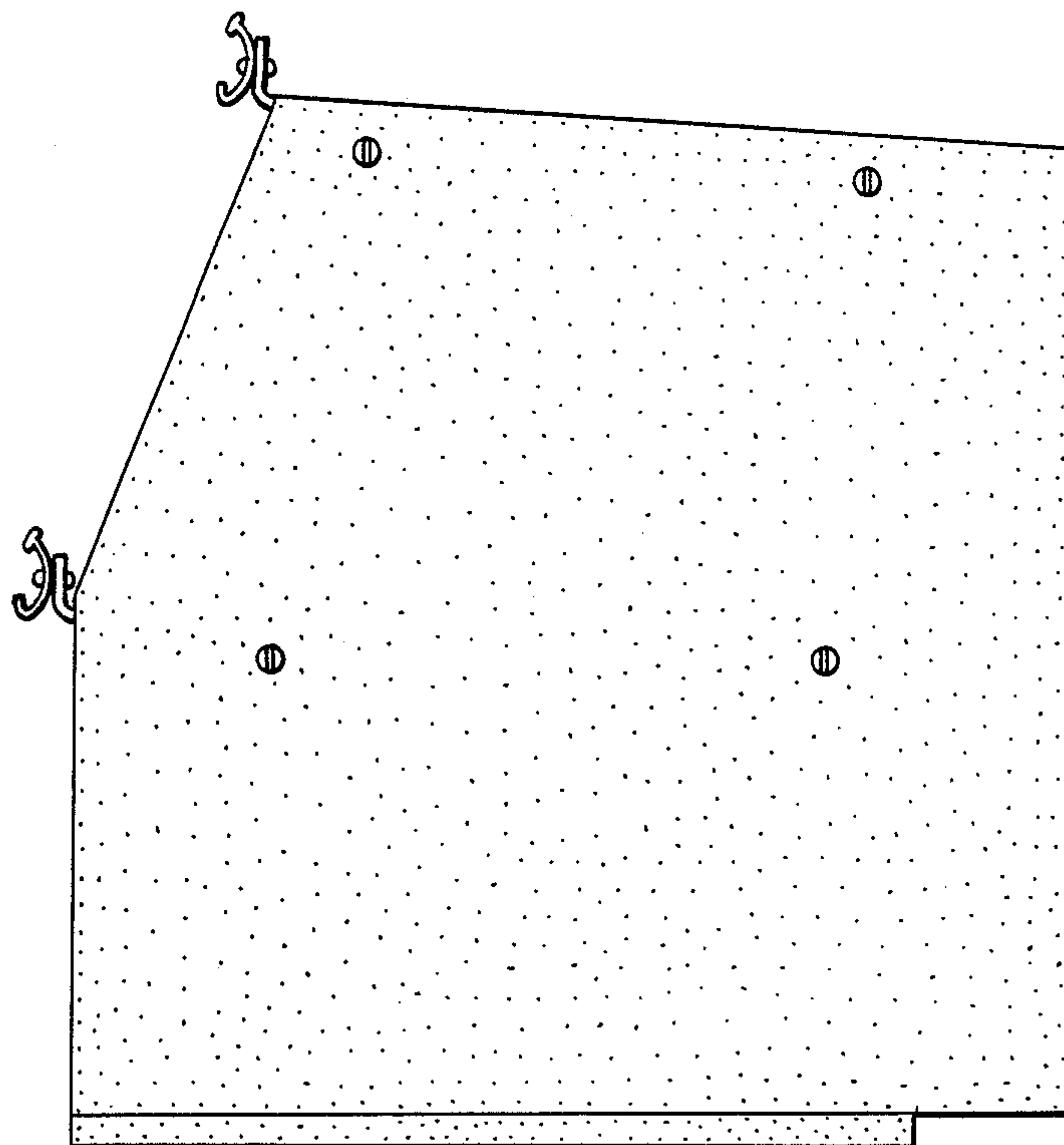


Fig. 3

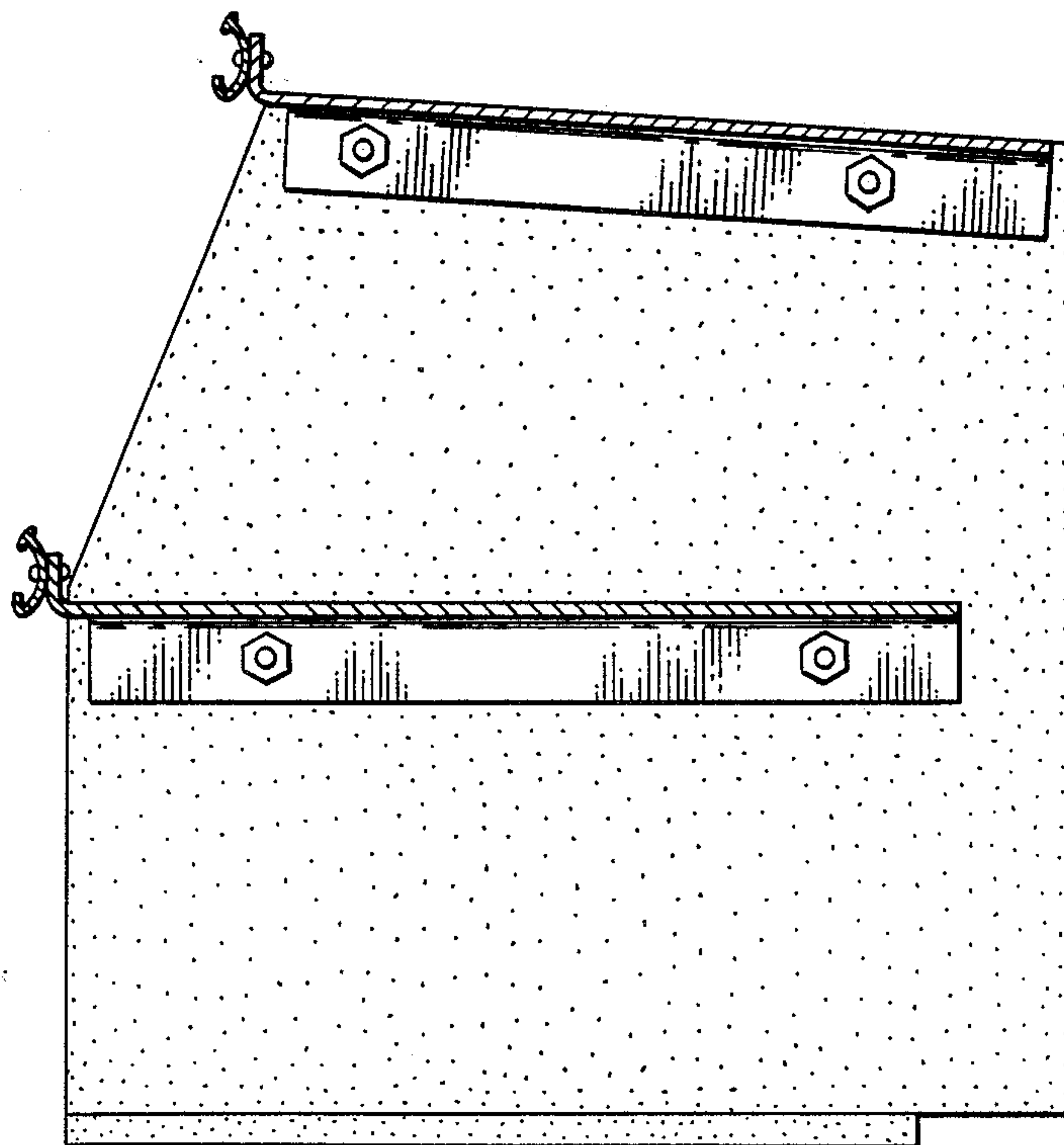


Fig. 4

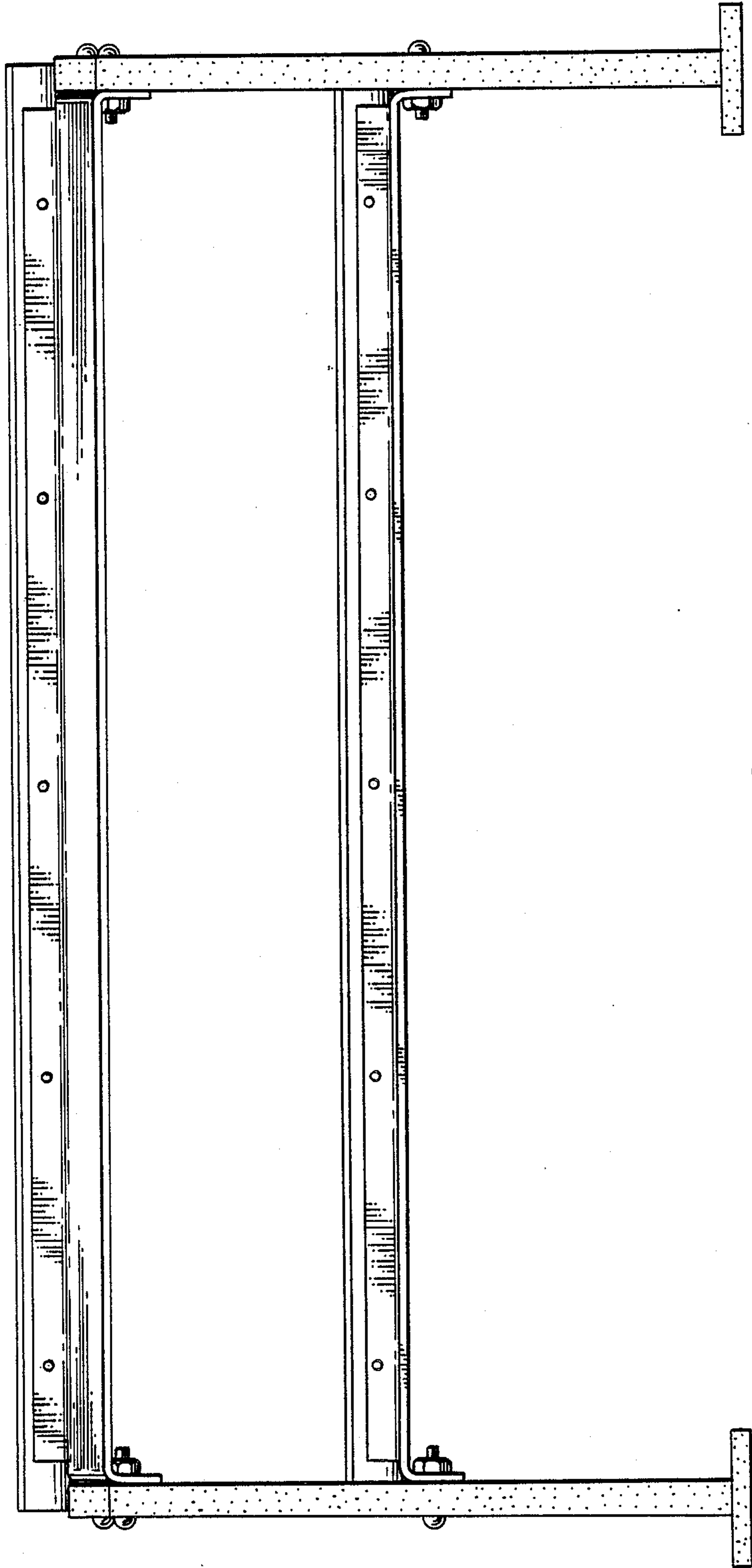


Fig. 5

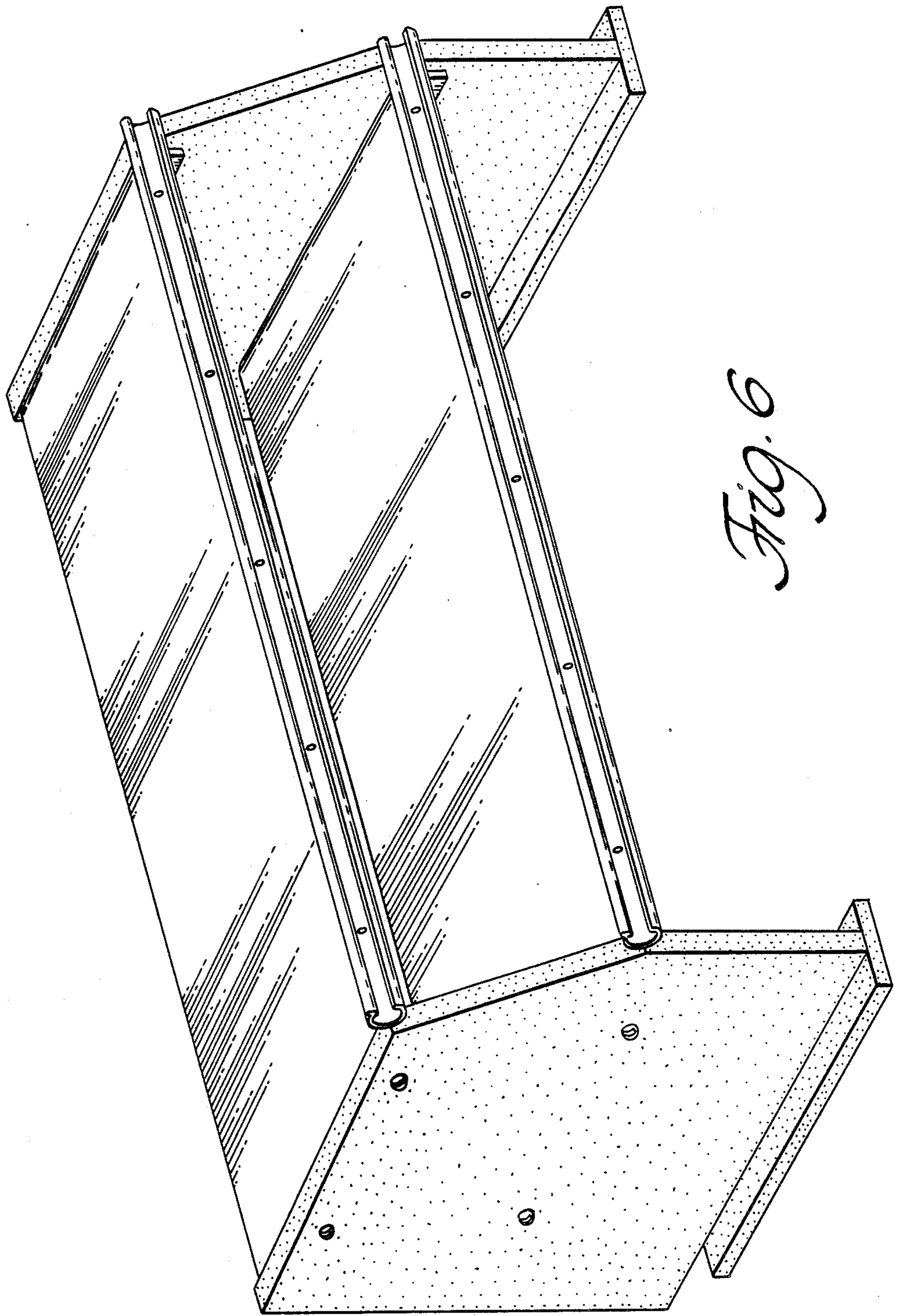


Fig. 6