

[54] DESK OR SIMILAR ARTICLE

[75] Inventor: Berta Bienenstock, Rockaway Park, N.Y.

[73] Assignee: Maneuverability, Inc., Brooklyn, N.Y.

[\*\*] Term: 14 Years

[21] Appl. No.: 28,532

[22] Filed: Mar. 20, 1987

[52] U.S. Cl. .... D6/420

[58] Field of Search ..... D6/397, 419, 420, 422, D6/423, 424, 425, 426, 427, 428, 440; 312/194, 195, 196; 108/5, 6, 7

[56] References Cited

U.S. PATENT DOCUMENTS

- D. 127,920 6/1941 Carlson ..... D6/420
- D. 132,171 4/1942 Bersin ..... D6/420
- D. 165,707 1/1952 Buehler ..... D6/420
- D. 193,559 9/1962 Barnes ..... D6/420

- D. 212,541 10/1968 Taylor ..... D6/440 X
- D. 225,116 11/1972 Krajeski ..... D6/397 X
- D. 251,640 4/1979 Hindman ..... D6/420 X
- D. 281,842 12/1985 Blocklinger ..... D6/419
- D. 282,218 1/1986 Catelli ..... D6/420 X

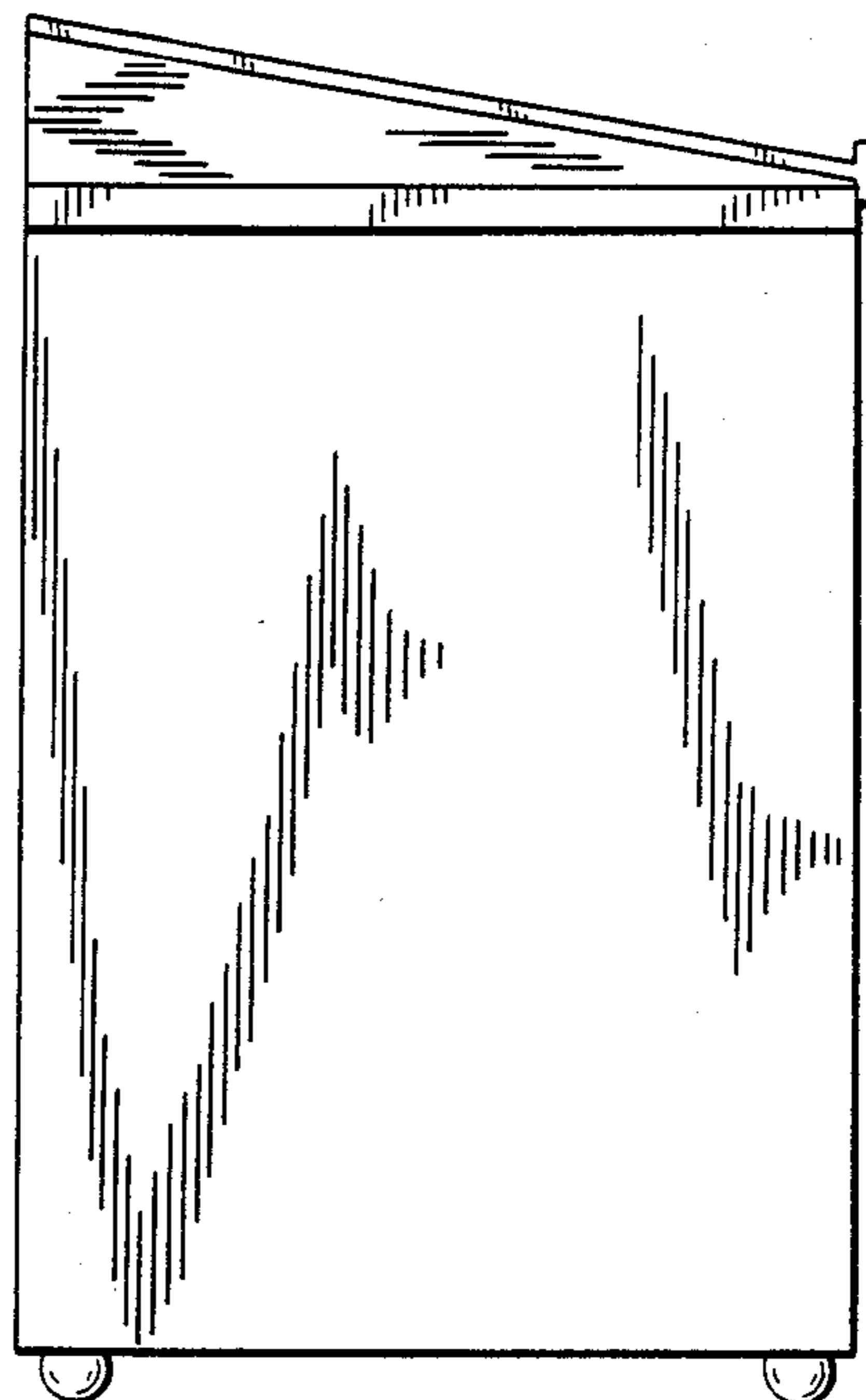
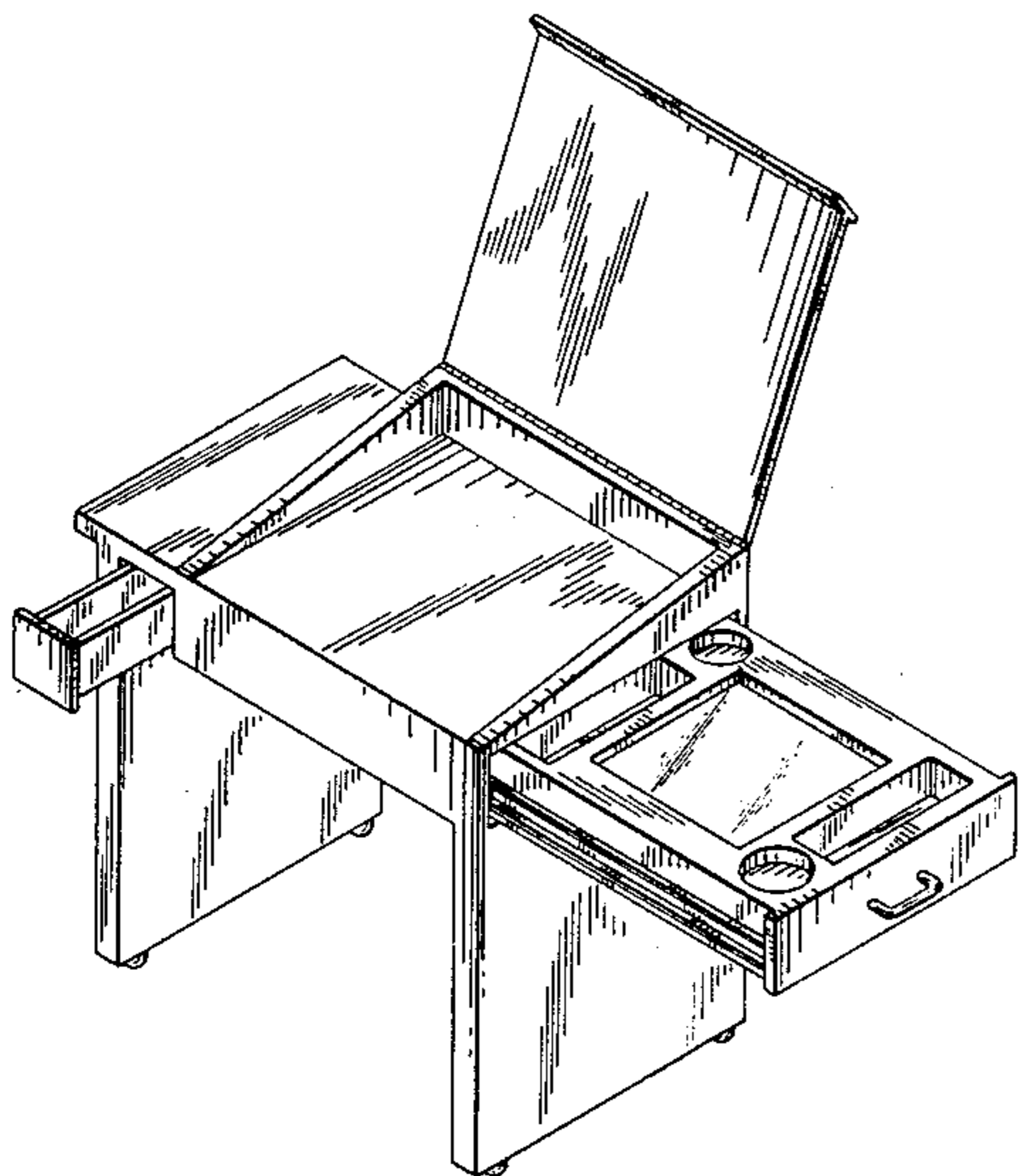
Primary Examiner—Carmen H. Vales-Lado  
Attorney, Agent, or Firm—Marmorek, Guttman & Rubenstein

[57] CLAIM

The ornamental design for a desk or similar article, as shown and described.

DESCRIPTION

FIG. 1 is a front perspective view of a desk or similar article showing my new design;  
 FIG. 2 is a top plan view with the top and drawers closed;  
 FIG. 3 is a front elevational view thereof;  
 FIG. 4 is a left side elevational view thereof;  
 FIG. 5 is a rear elevational view thereof;  
 FIG. 6 is a right side elevational view thereof;  
 FIG. 7 is a bottom plan view thereof.



*FIG. 1*

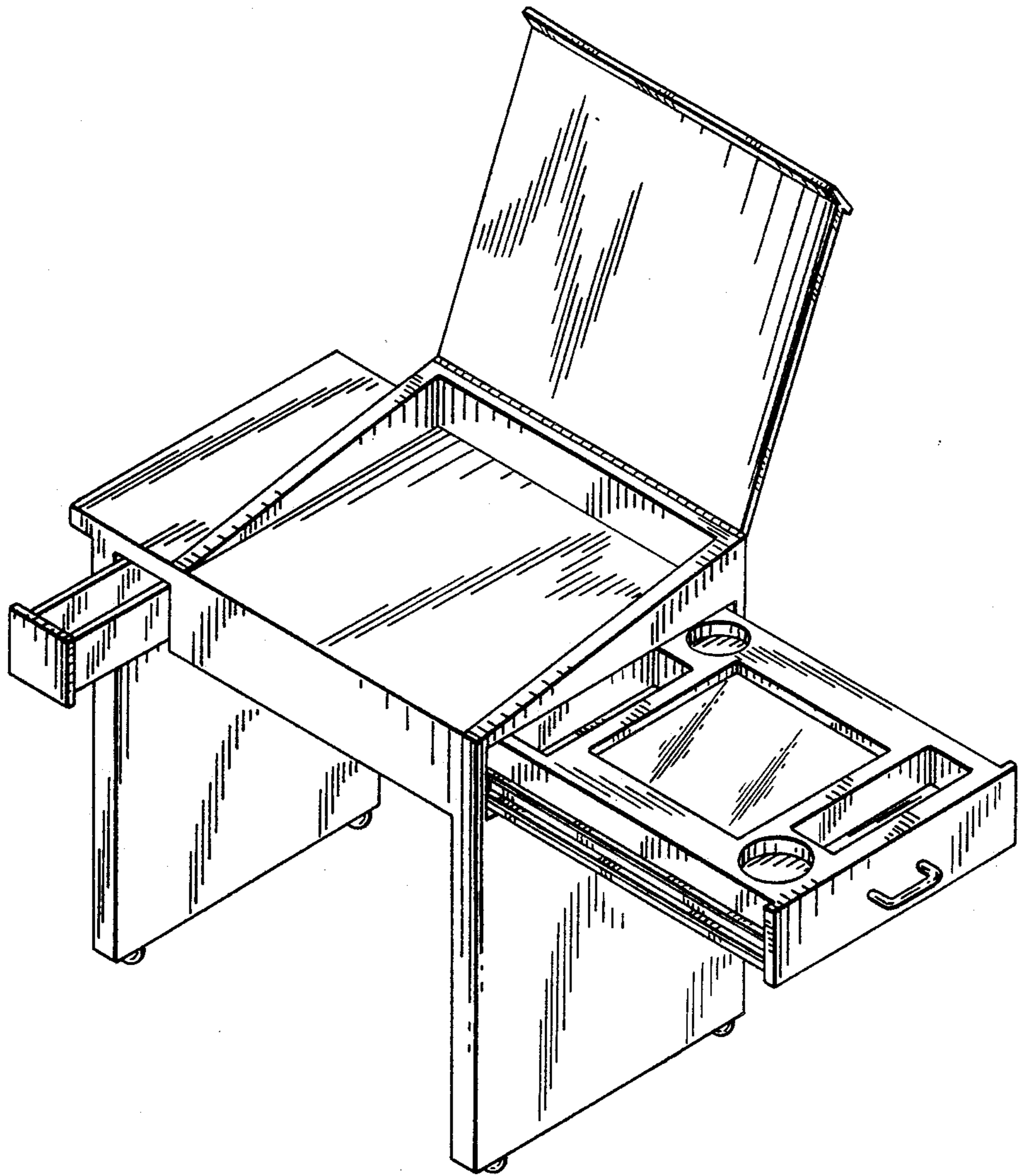


FIG. 2

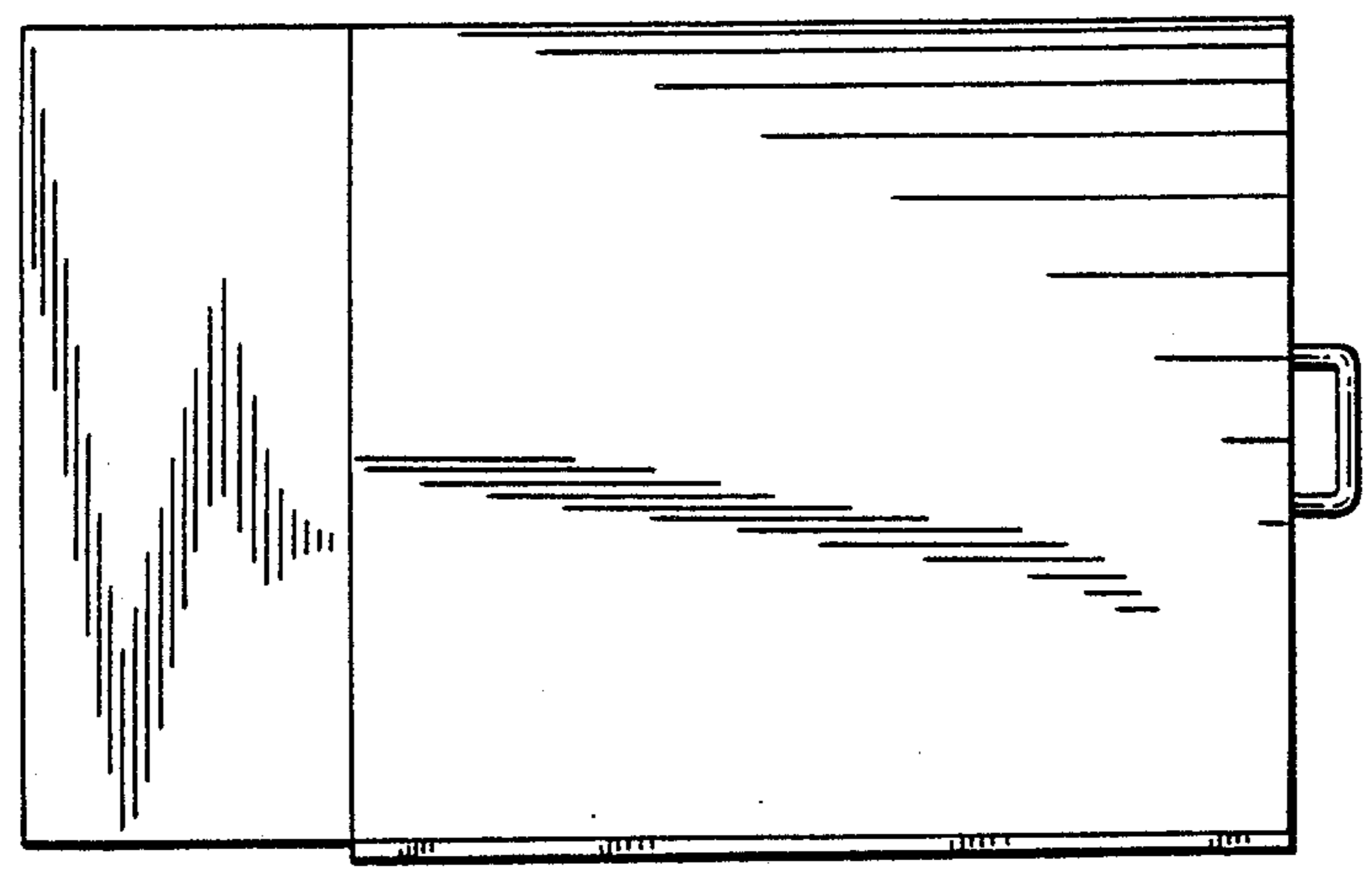
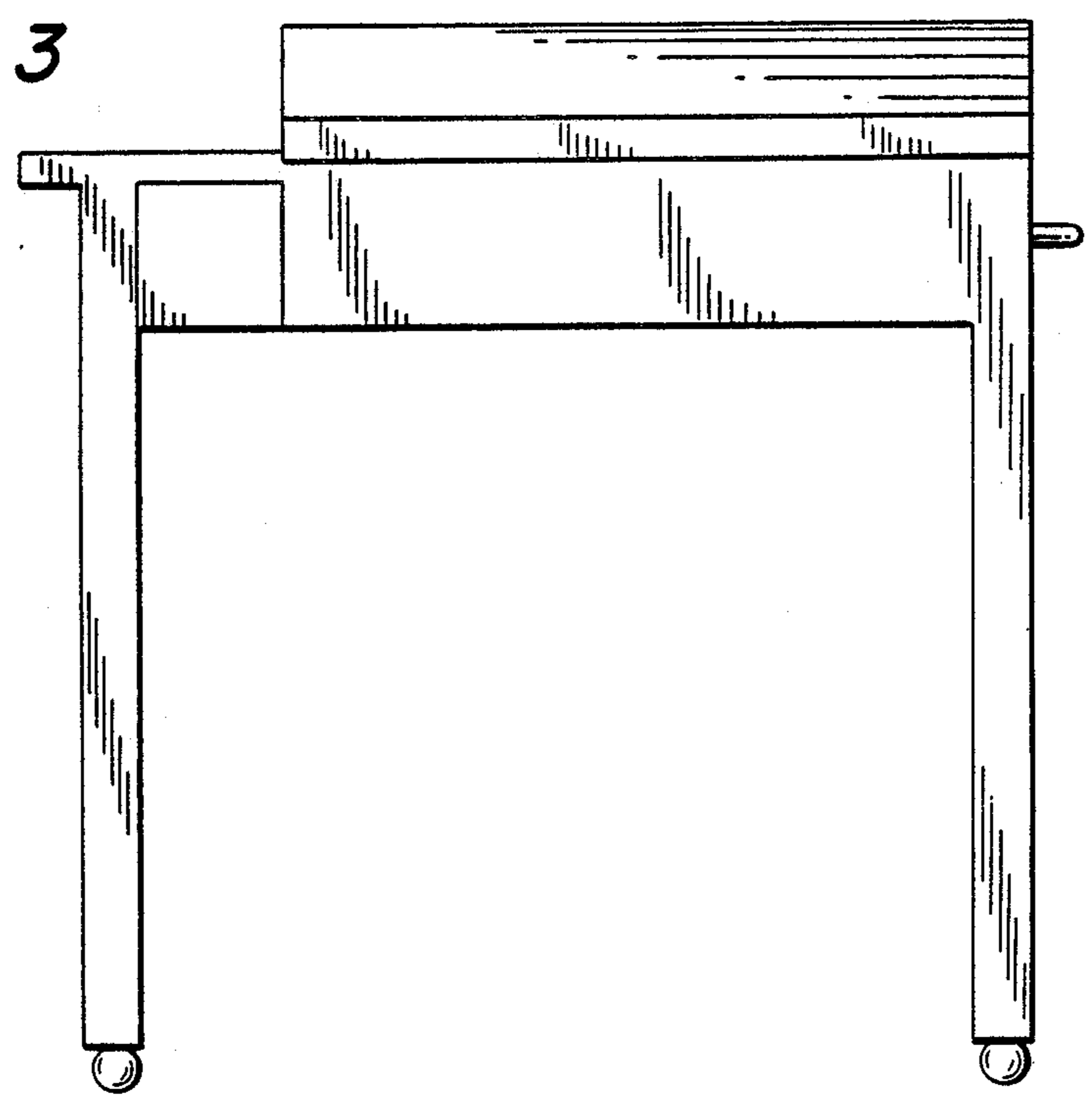
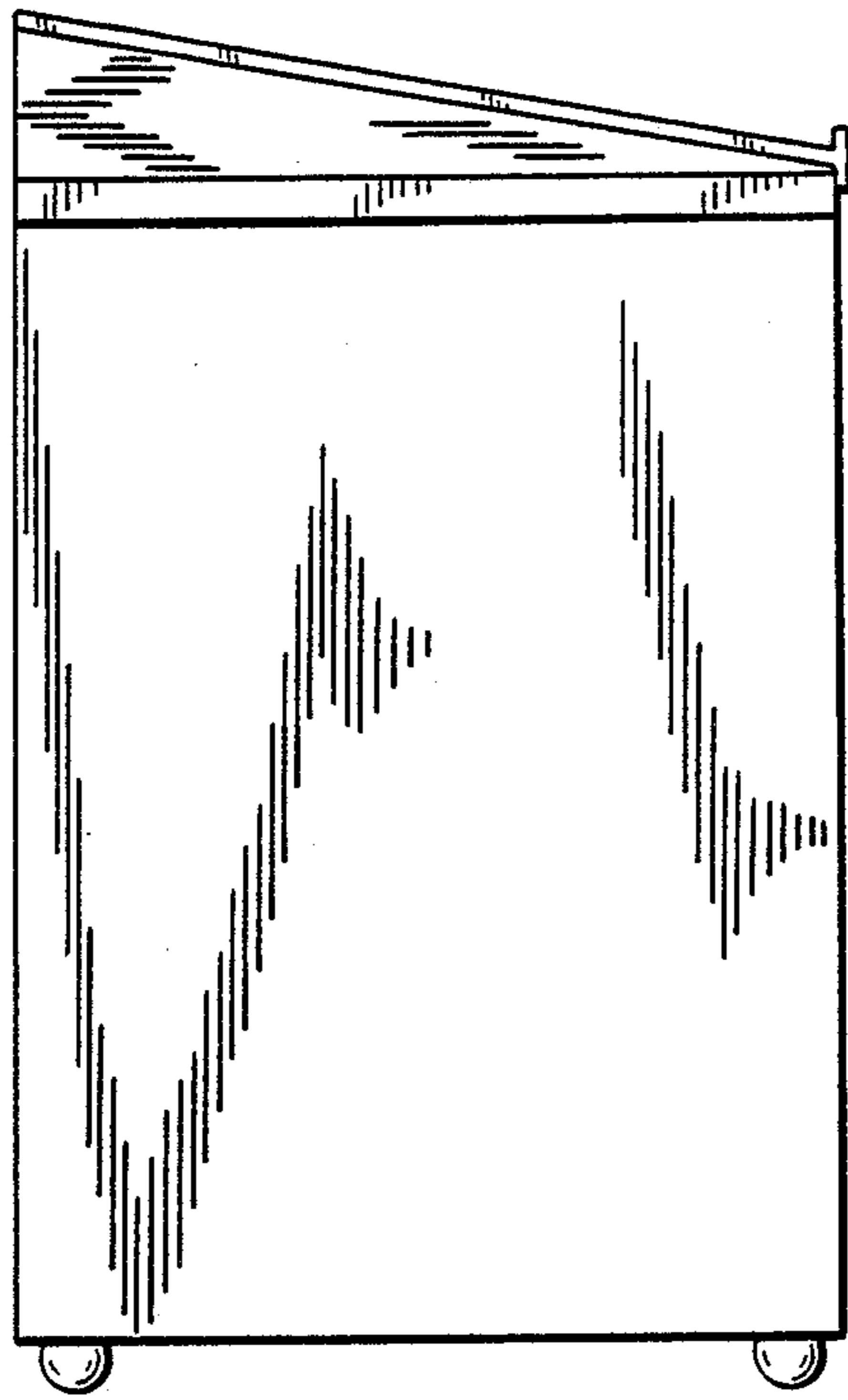
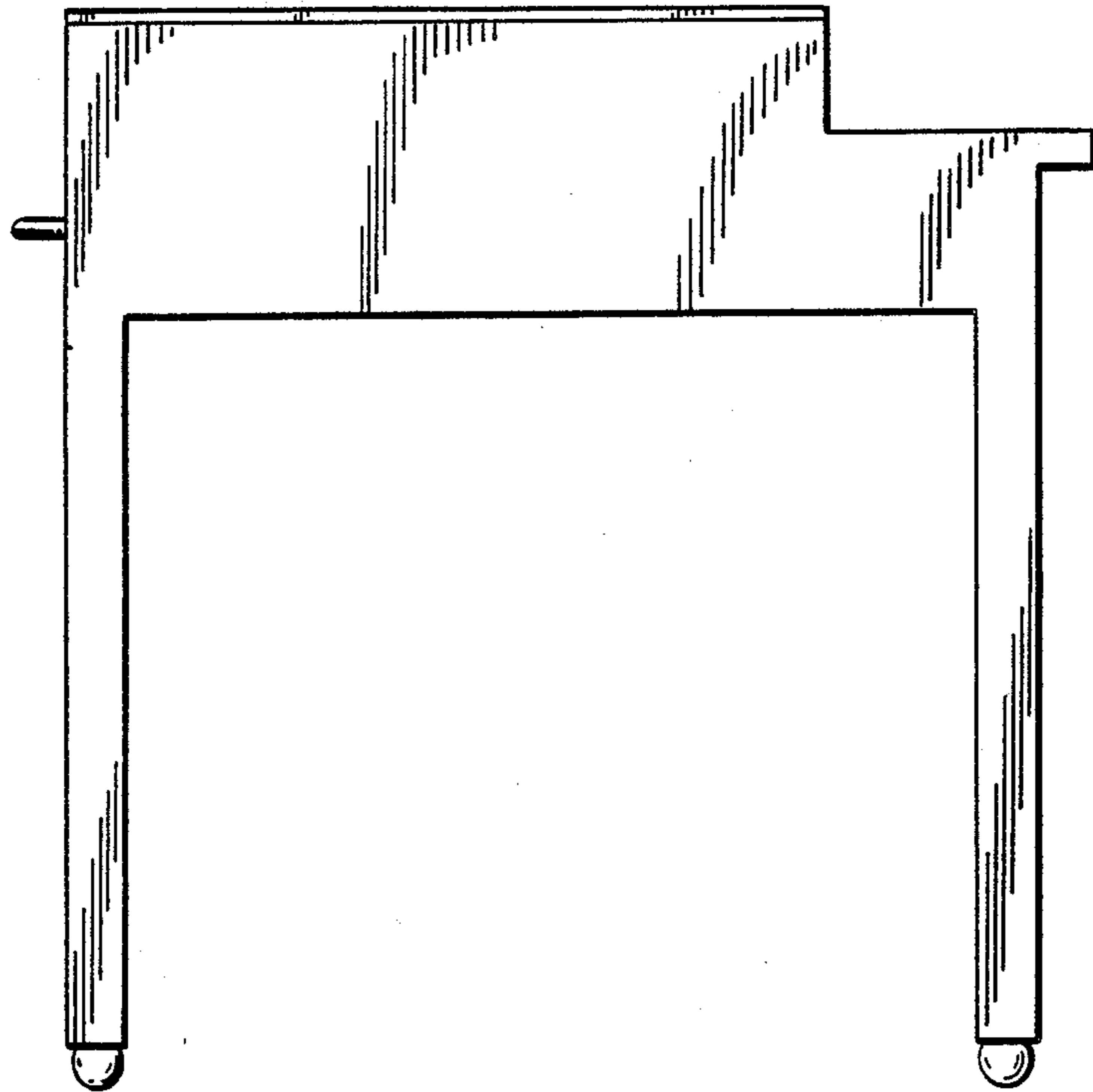


FIG. 3



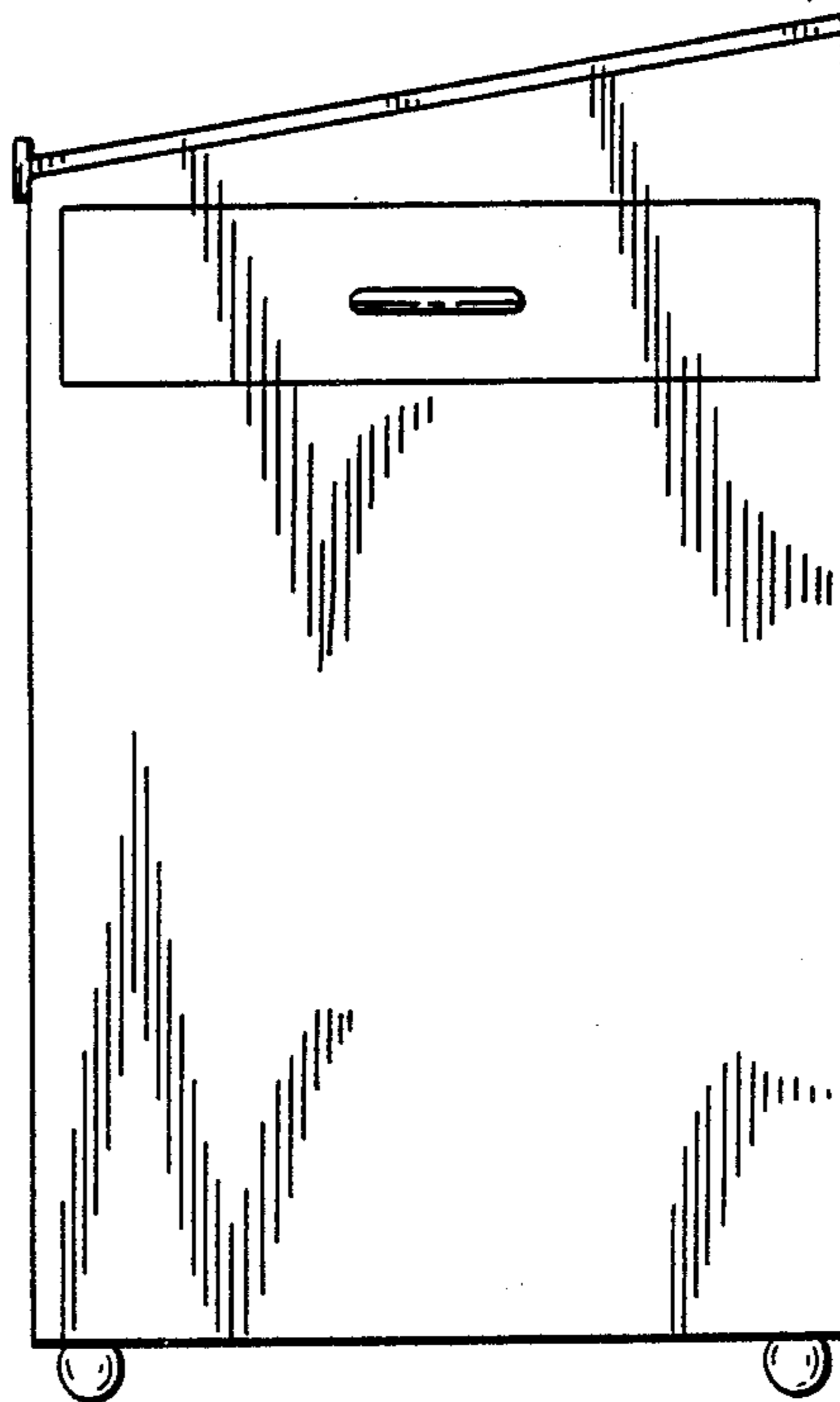


*FIG. 4*



*FIG. 5*

*FIG. 6*



*FIG. 7*

