

[54] STAND FOR FLORAL CONTAINER OR THE LIKE

[75] Inventor: Ronaldo Maia, New York, N.Y.

[73] Assignee: Ronaldo Maia Ltd., New York, N.Y.

[**] Term: 14 Years

[21] Appl. No.: 140,257

[22] Filed: Dec. 30, 1987

[52] U.S. Cl. D6/405; D6/416; D6/479; D24/32

[58] Field of Search D11/143, 146, 147; D6/403, 405, 416, 478-479, 465, 484, 486; D24/32; 211/74, 60.1, 62, 72, 70.1; 47/41 R, 41 SS, 41.11

[56] References Cited

U.S. PATENT DOCUMENTS

D. 100,442	7/1936	Sherrick	D24/32
D. 134,390	11/1942	Waltman	D6/479
D. 263,534	3/1982	Markus	D6/478
D. 264,157	5/1982	Karsikas	D6/465
D. 276,089	10/1984	Hutchins	D6/465
D. 298,705	11/1988	Johnson, Jr.	D6/478
877,145	1/1908	Waddell	47/41.13
3,765,541	10/1973	Madey et al.	D6/479

Primary Examiner—B. J. Bullock

Attorney, Agent, or Firm—Gottlieb, Rackman & Reisman

[57] CLAIM

The ornamental design for a stand for floral container or the like, as shown and described.

DESCRIPTION

FIG. 1 is a perspective view of stand for a floral container or the like showing my new design, the tubes being shown in broken lines for illustrative purposes only;

FIG. 2 is a reduced top plan view thereof;

FIG. 3 is a reduced front elevational view thereof;

FIG. 4 is a reduced right side elevational view thereof, the left side being a mirror image;

FIG. 5 is a rear elevational view thereof;

FIG. 6 is a bottom plan view thereof;

FIG. 7 is a perspective view of a second embodiment of the design of FIG. 1, the tubes being shown in broken lines for illustrative purposes only;

FIG. 8 is a top plan view of FIG. 7;

FIG. 9 is a side elevational view of FIG. 7;

FIG. 10 is a bottom plan view of FIG. 7;

FIG. 11 is a perspective view of a third embodiment of the design for FIG. 1, the tubes being shown in broken lines for illustrative purposes only;

FIG. 12 is a top plan view of FIG. 11;

FIG. 13 is a side elevational view of FIG. 11;

FIG. 14 is a bottom plan view of FIG. 11.

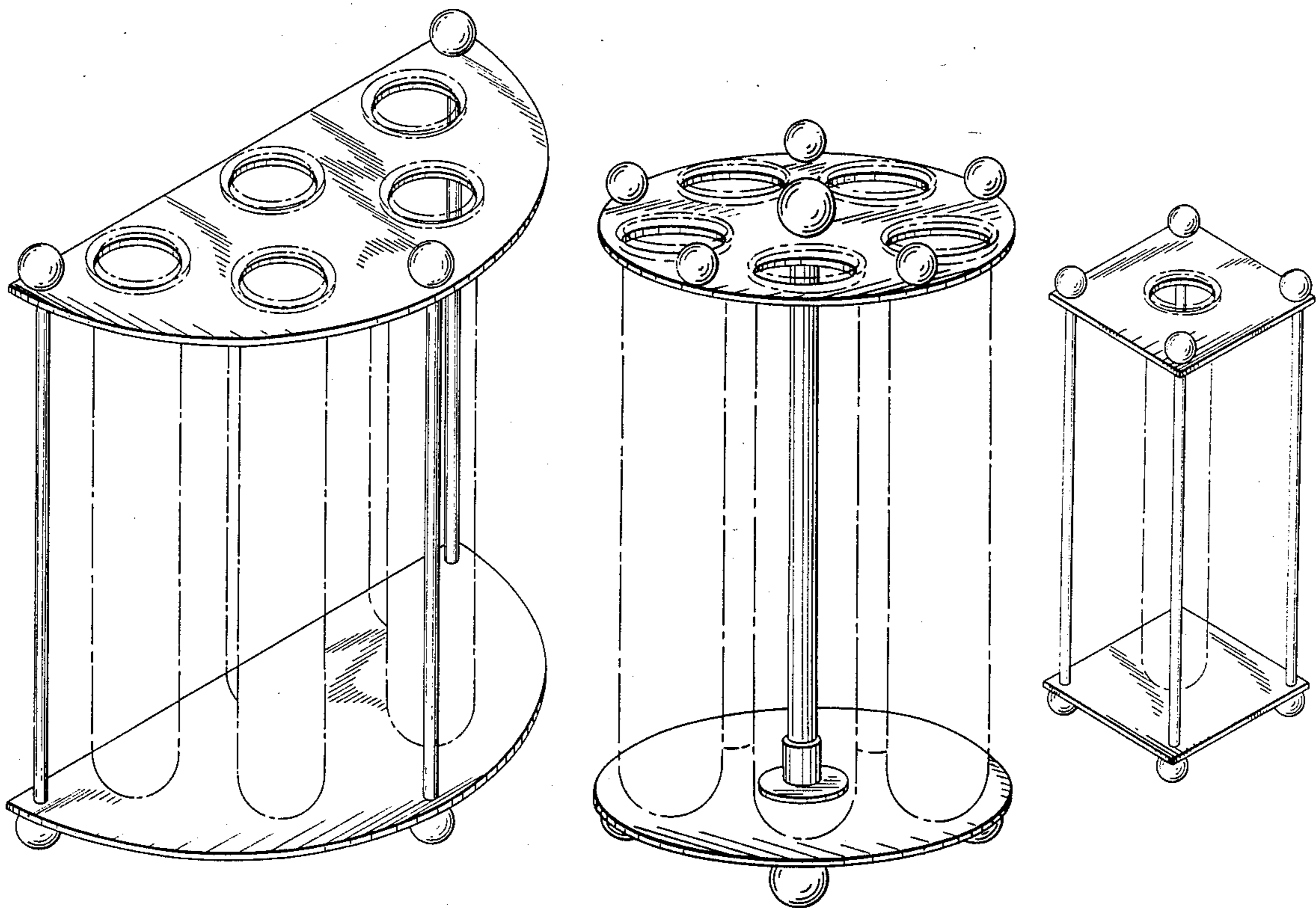
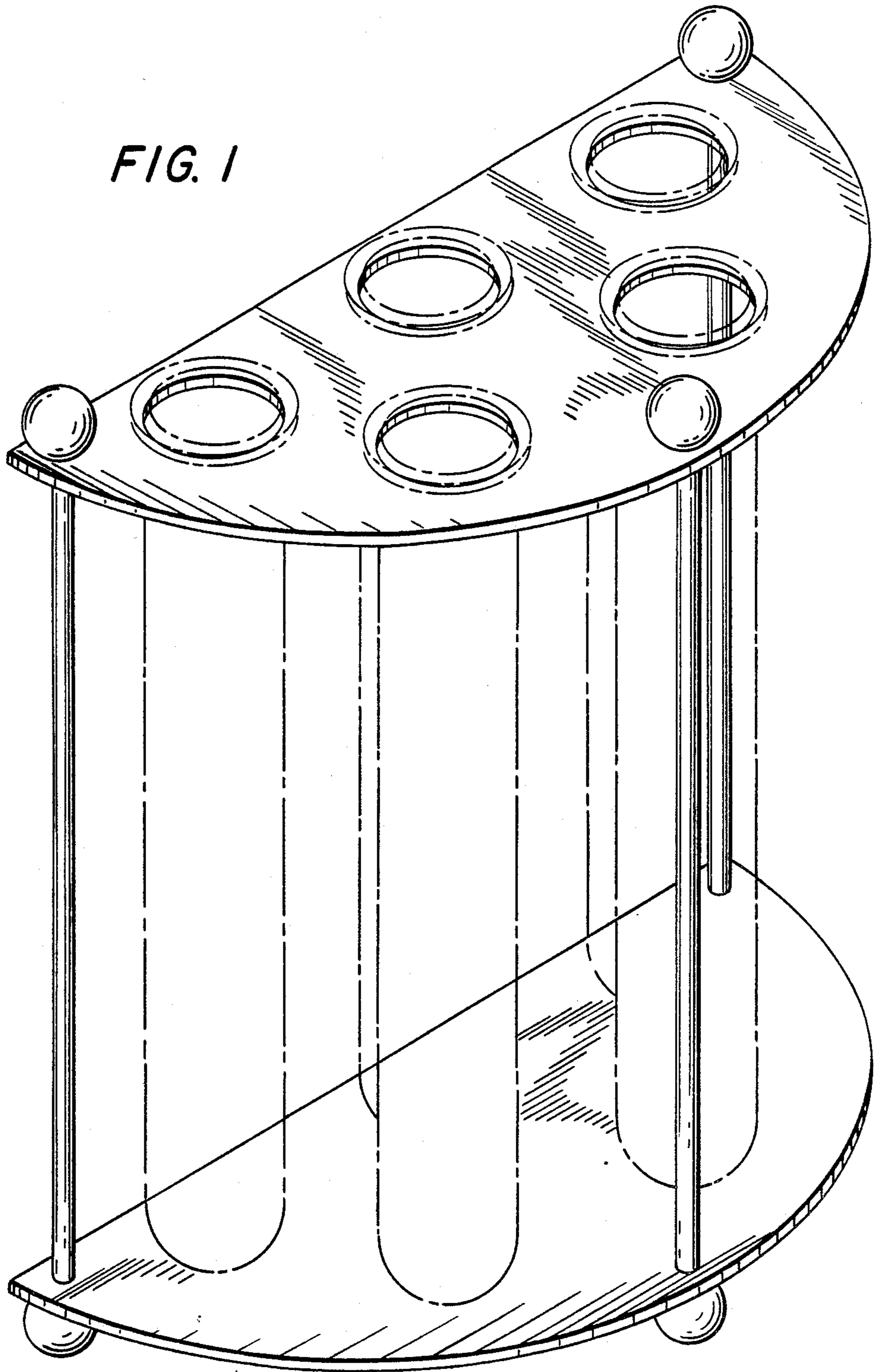


FIG. 1



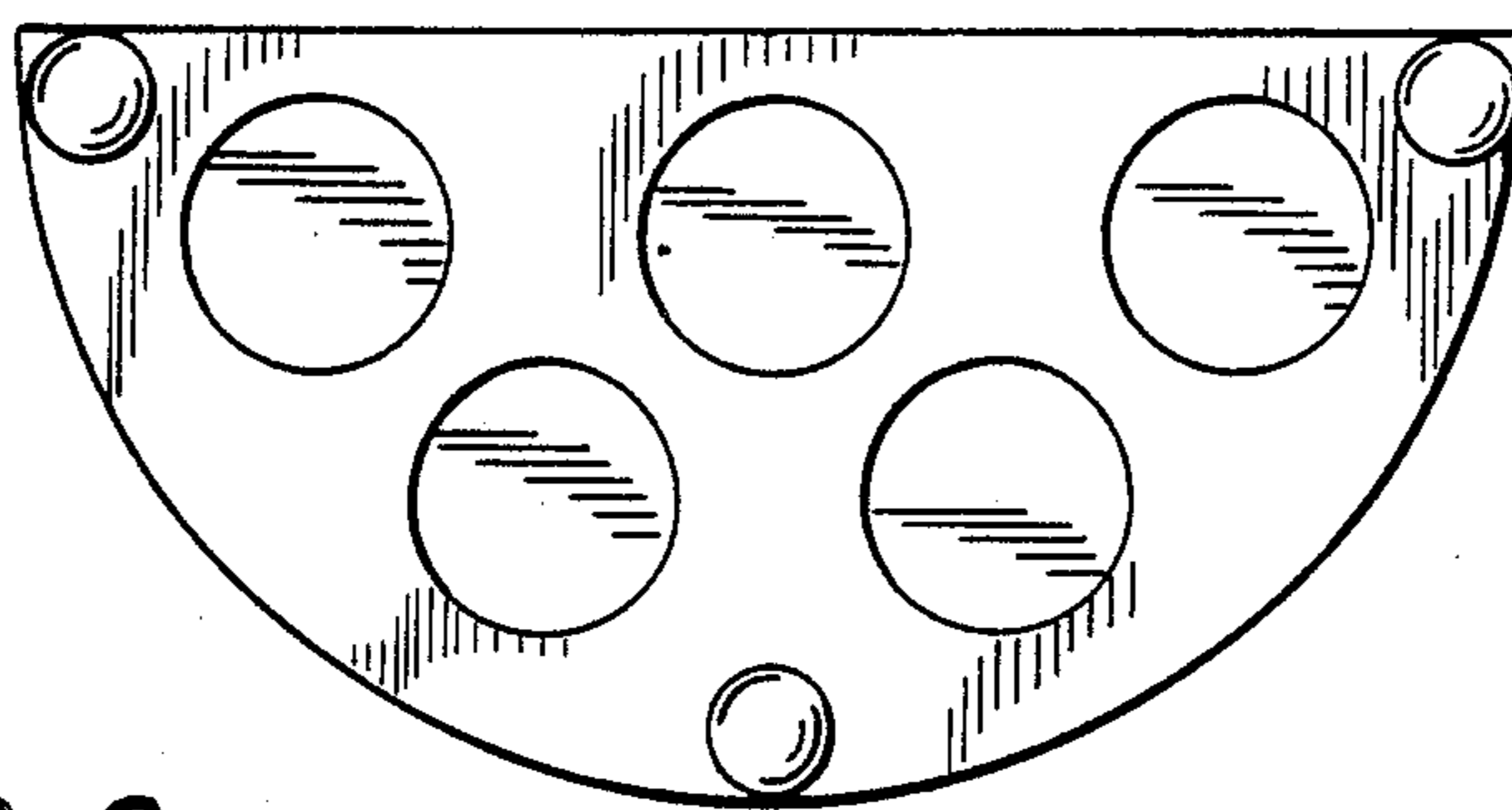


FIG. 2

FIG. 3

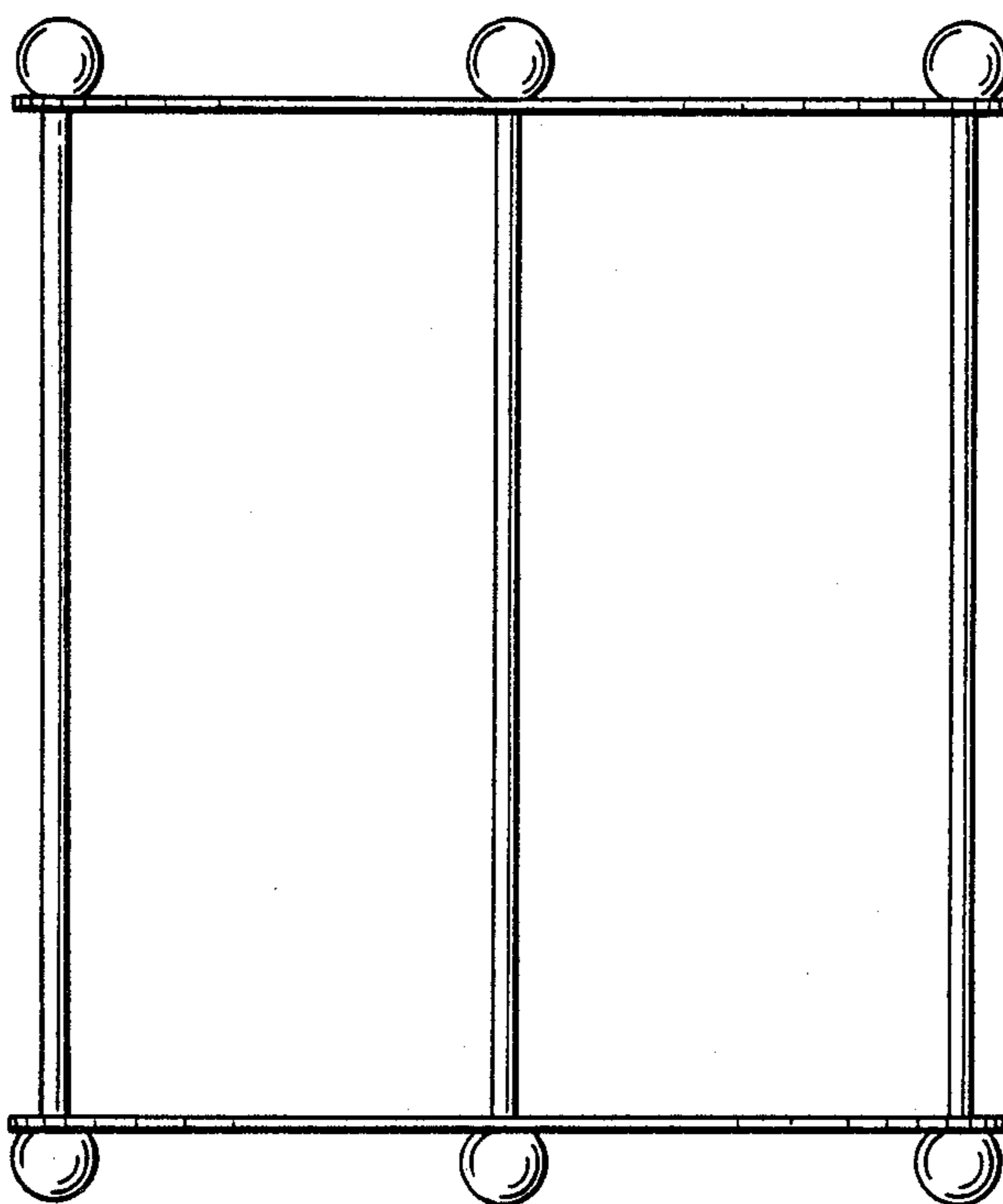


FIG. 4

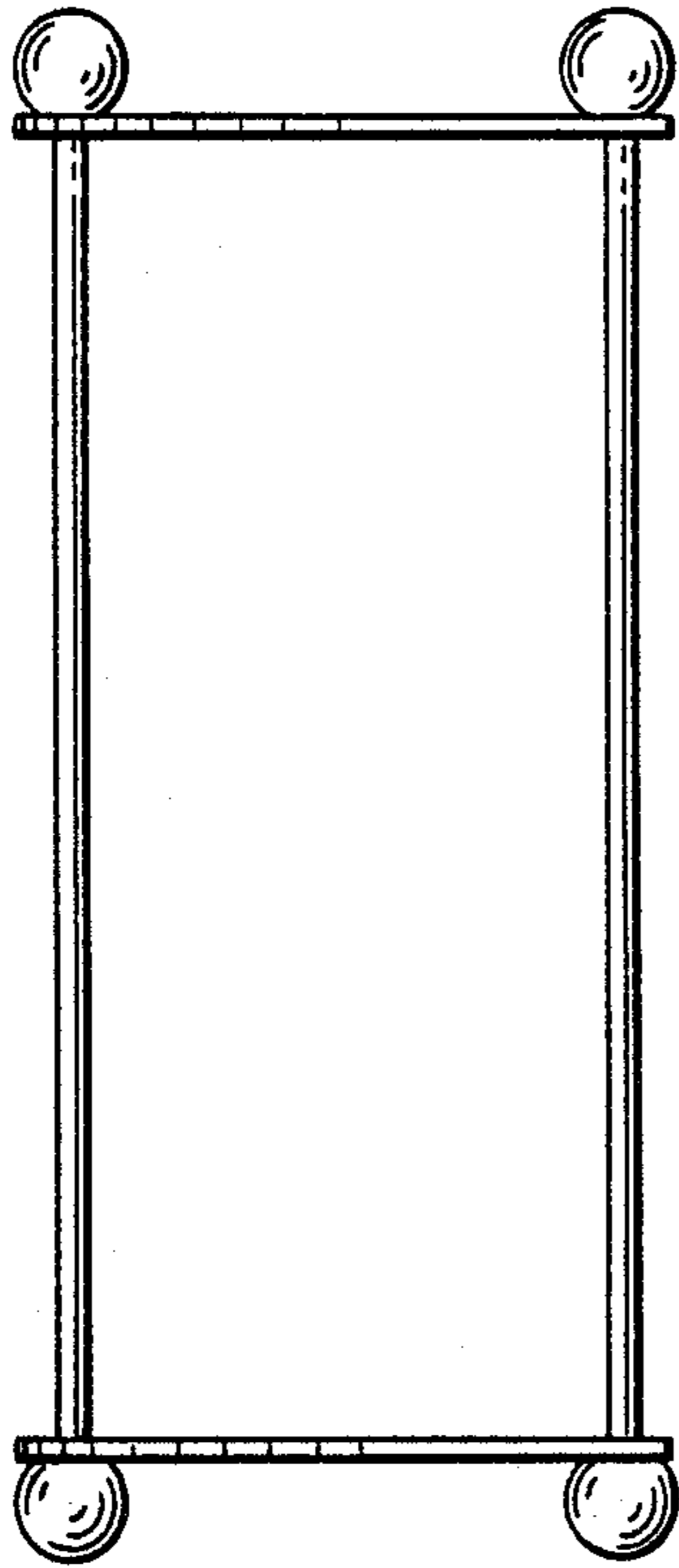


FIG. 5

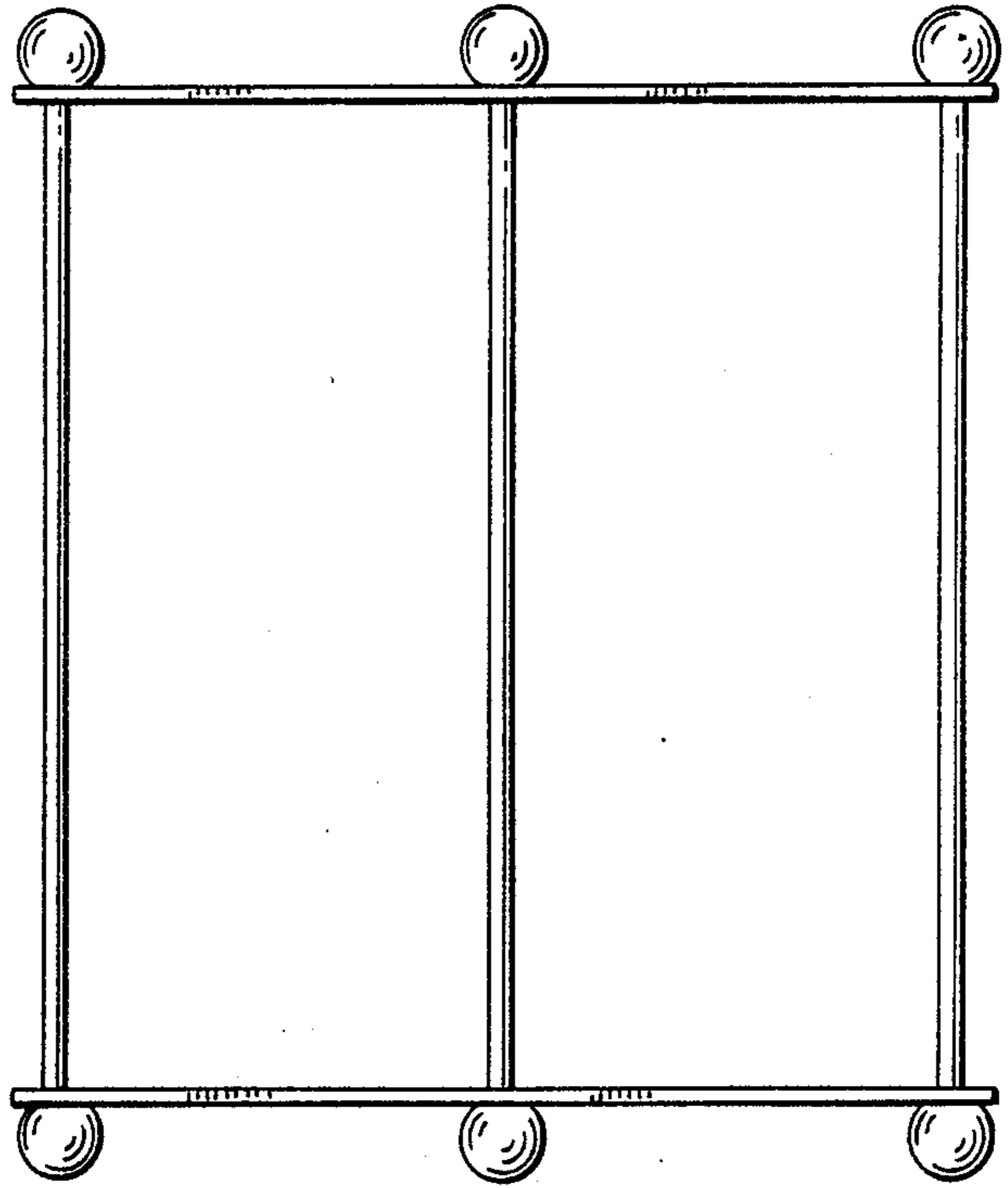
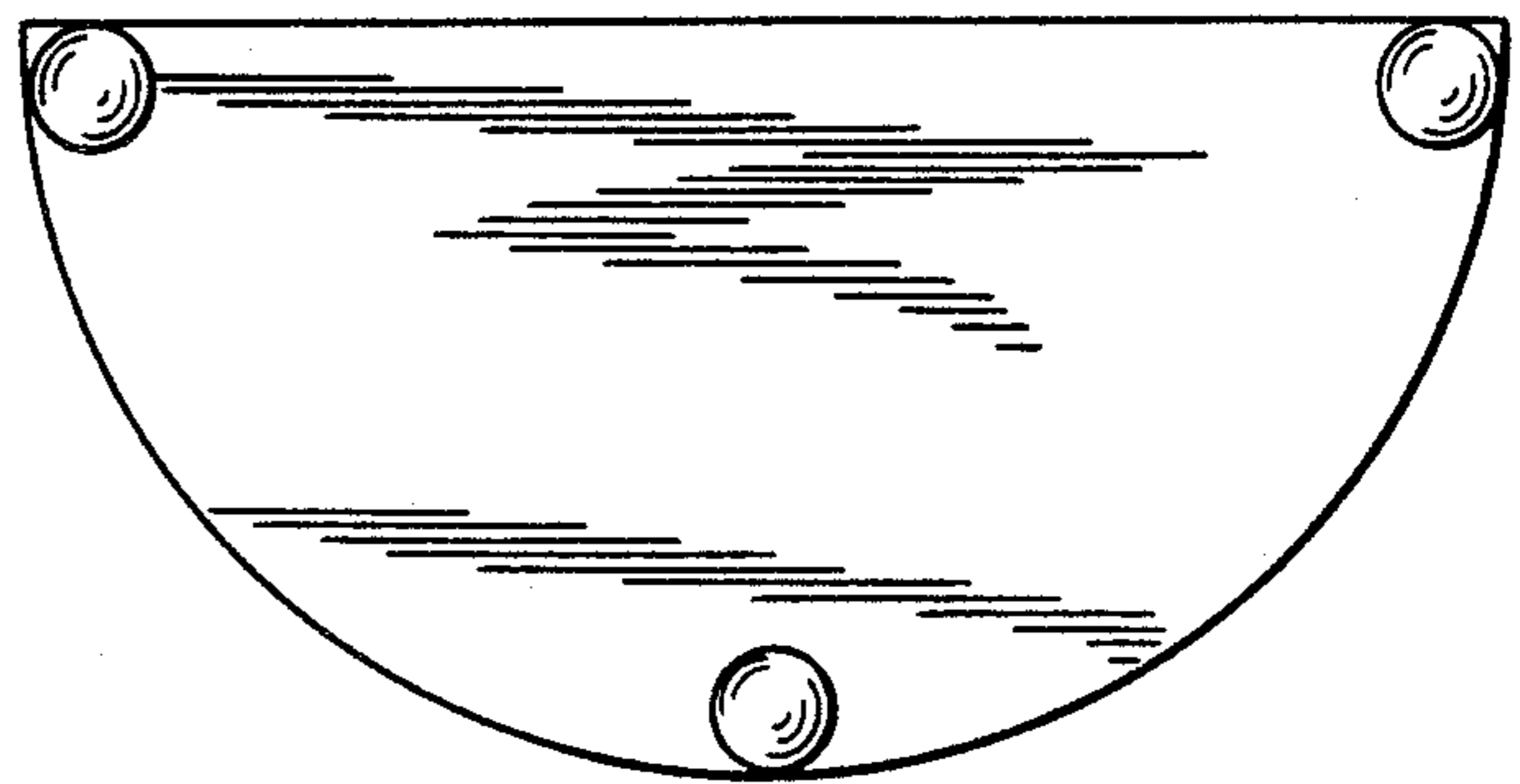


FIG. 6



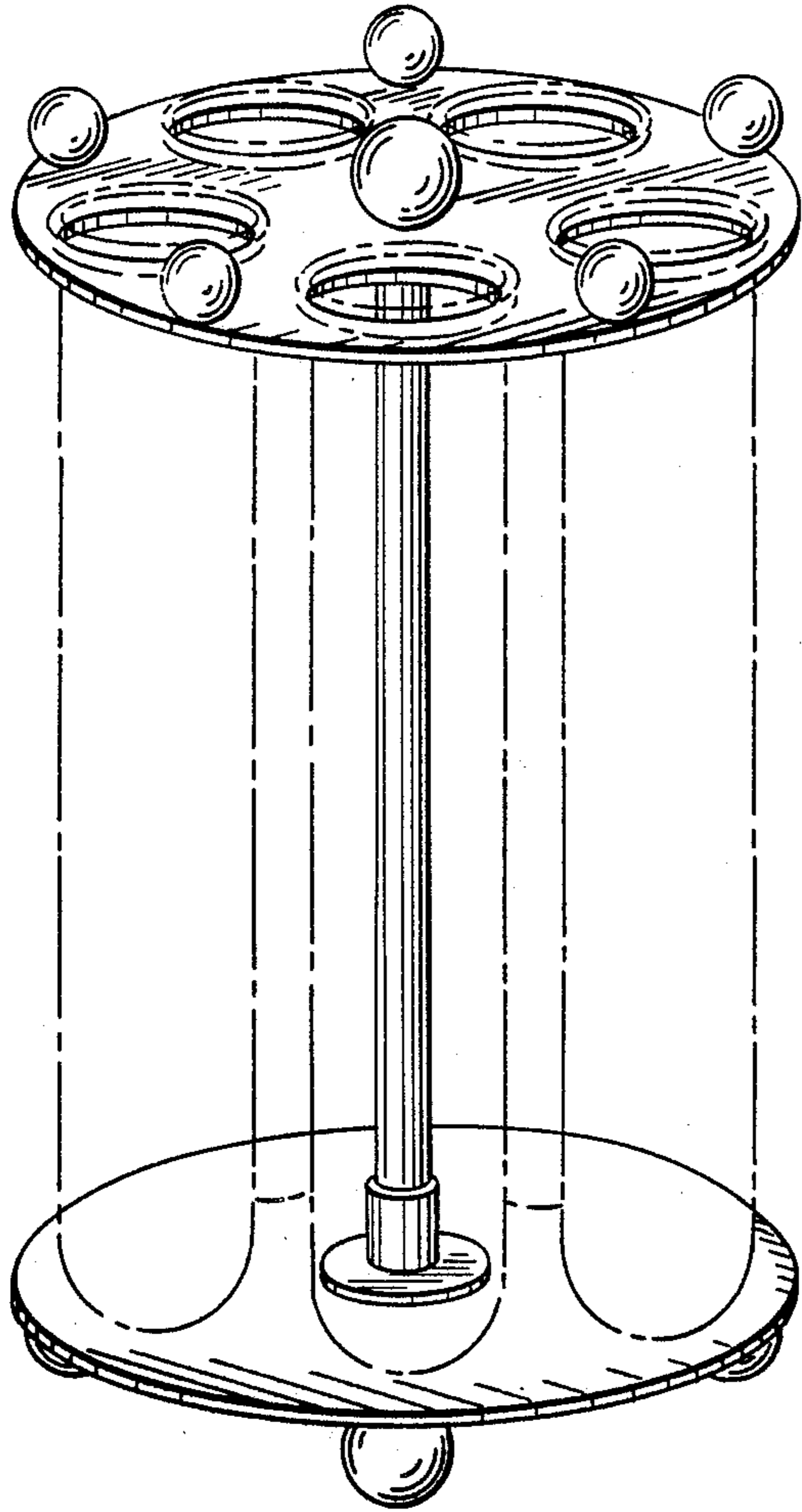


FIG. 7

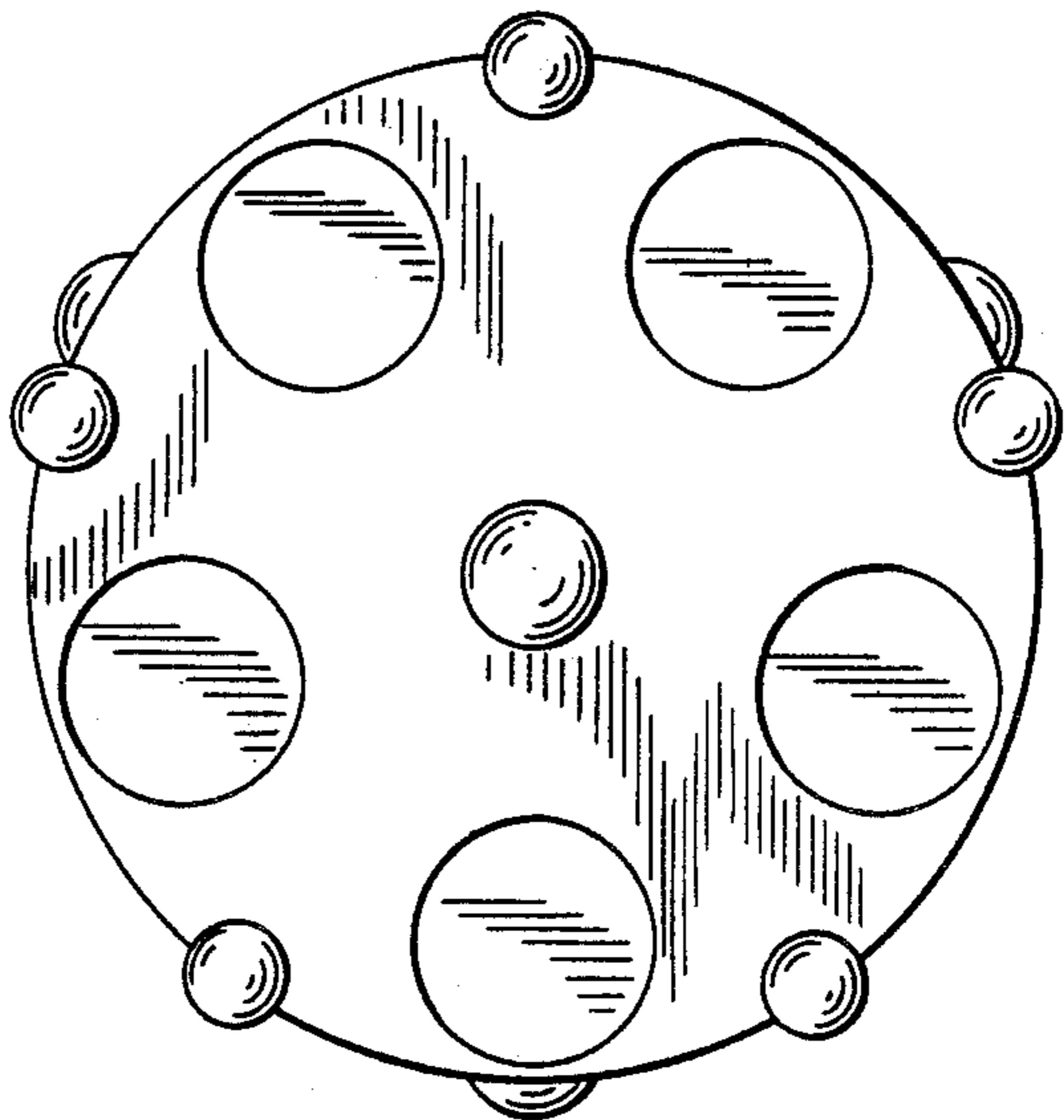


FIG. 8

FIG. 9

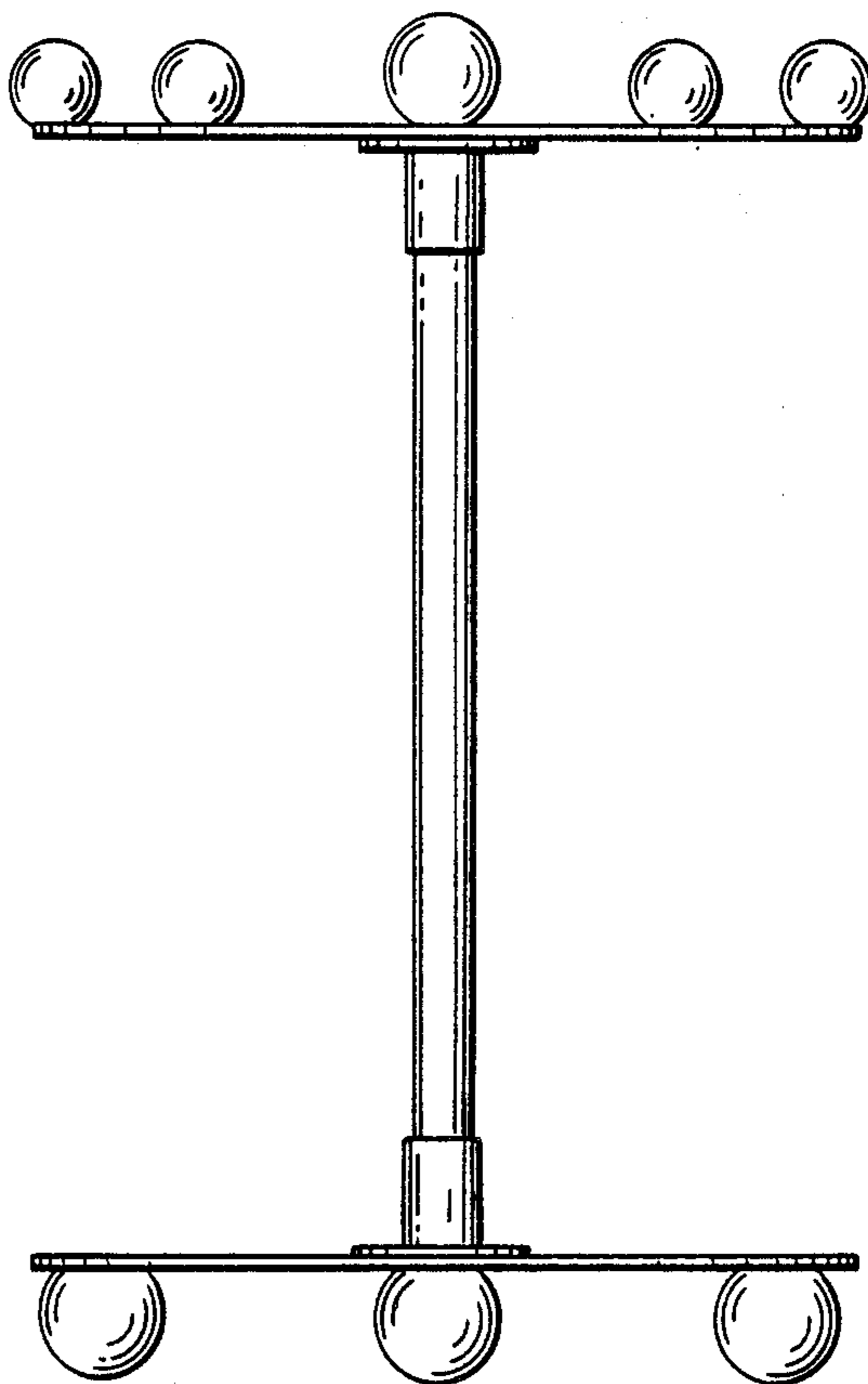


FIG. 10

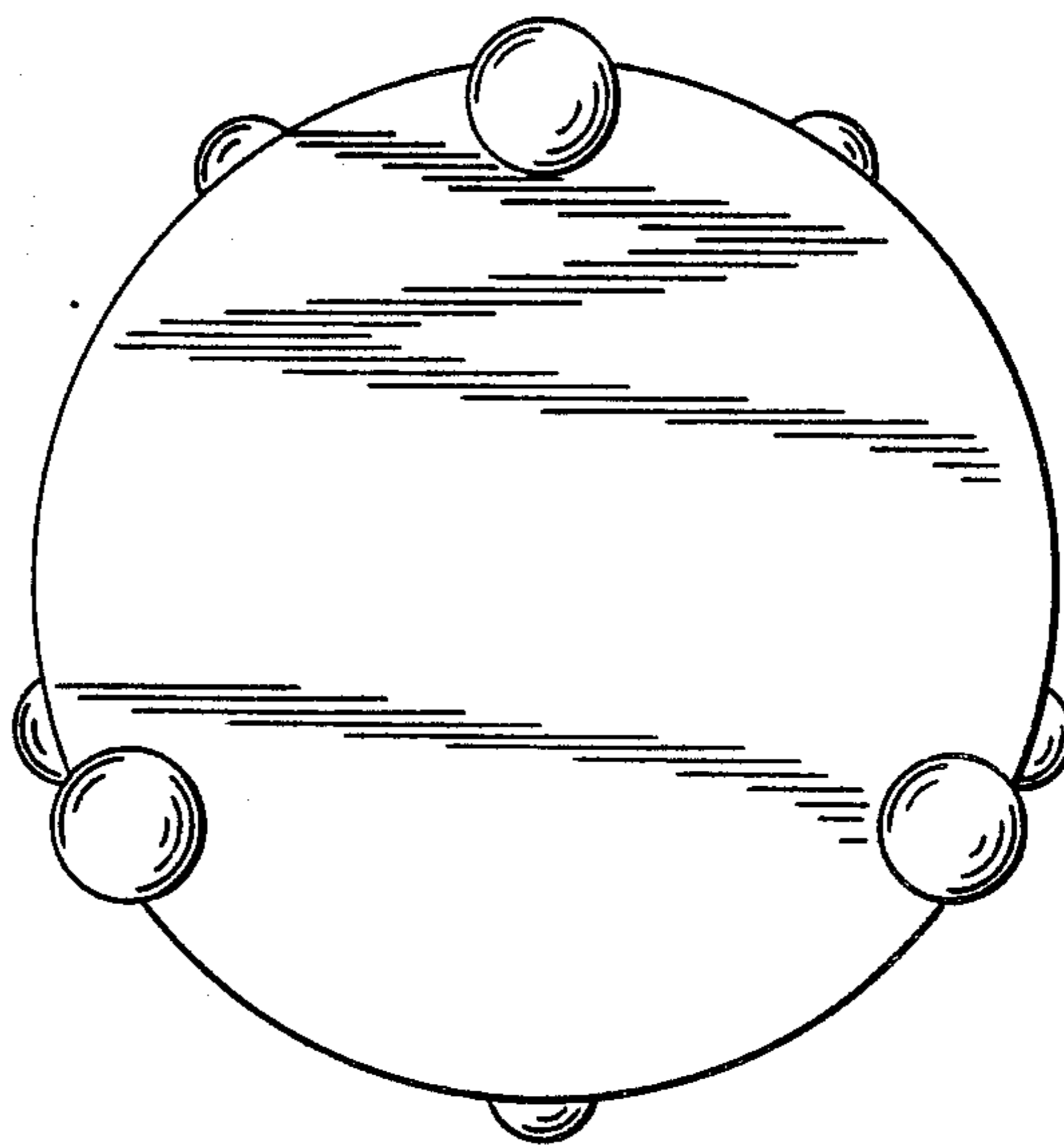


FIG. 11

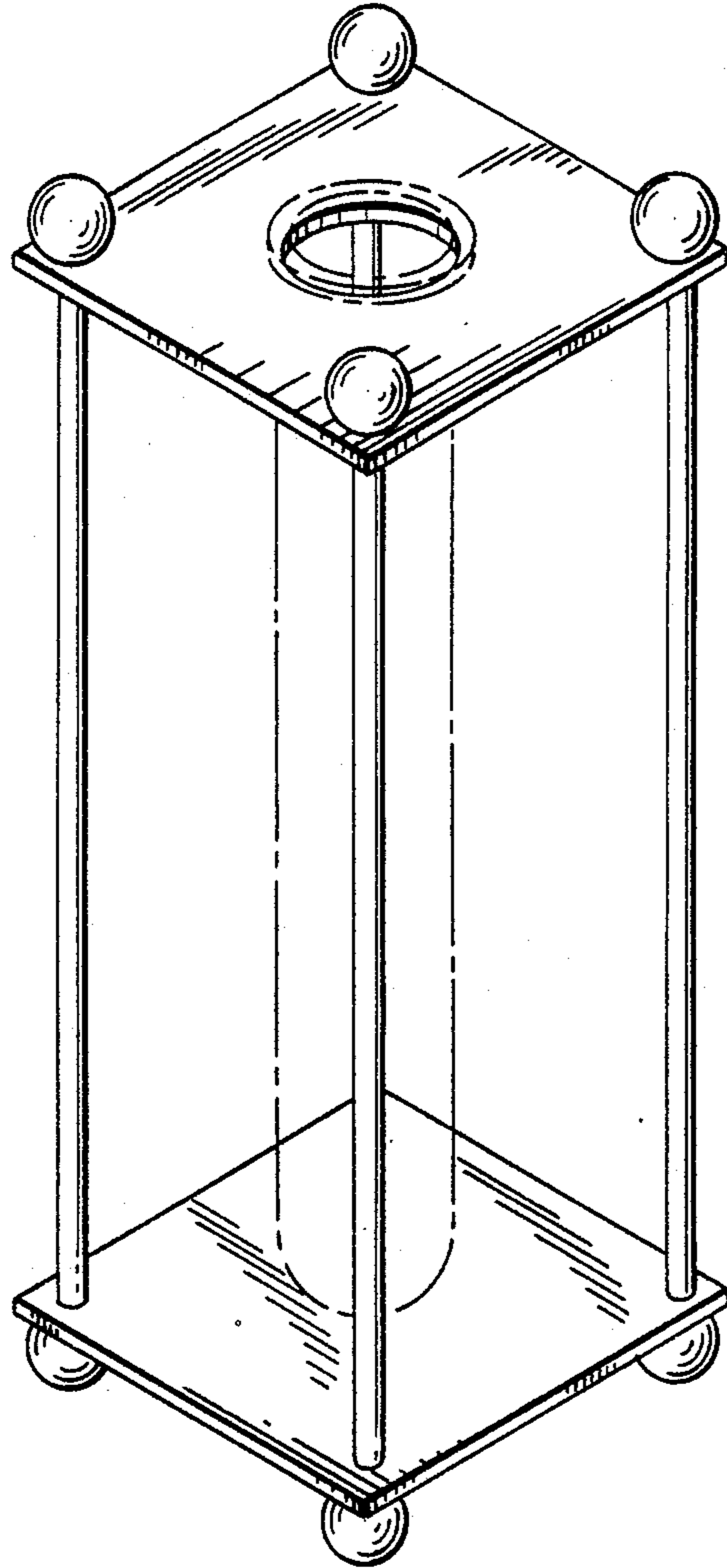


FIG. 12

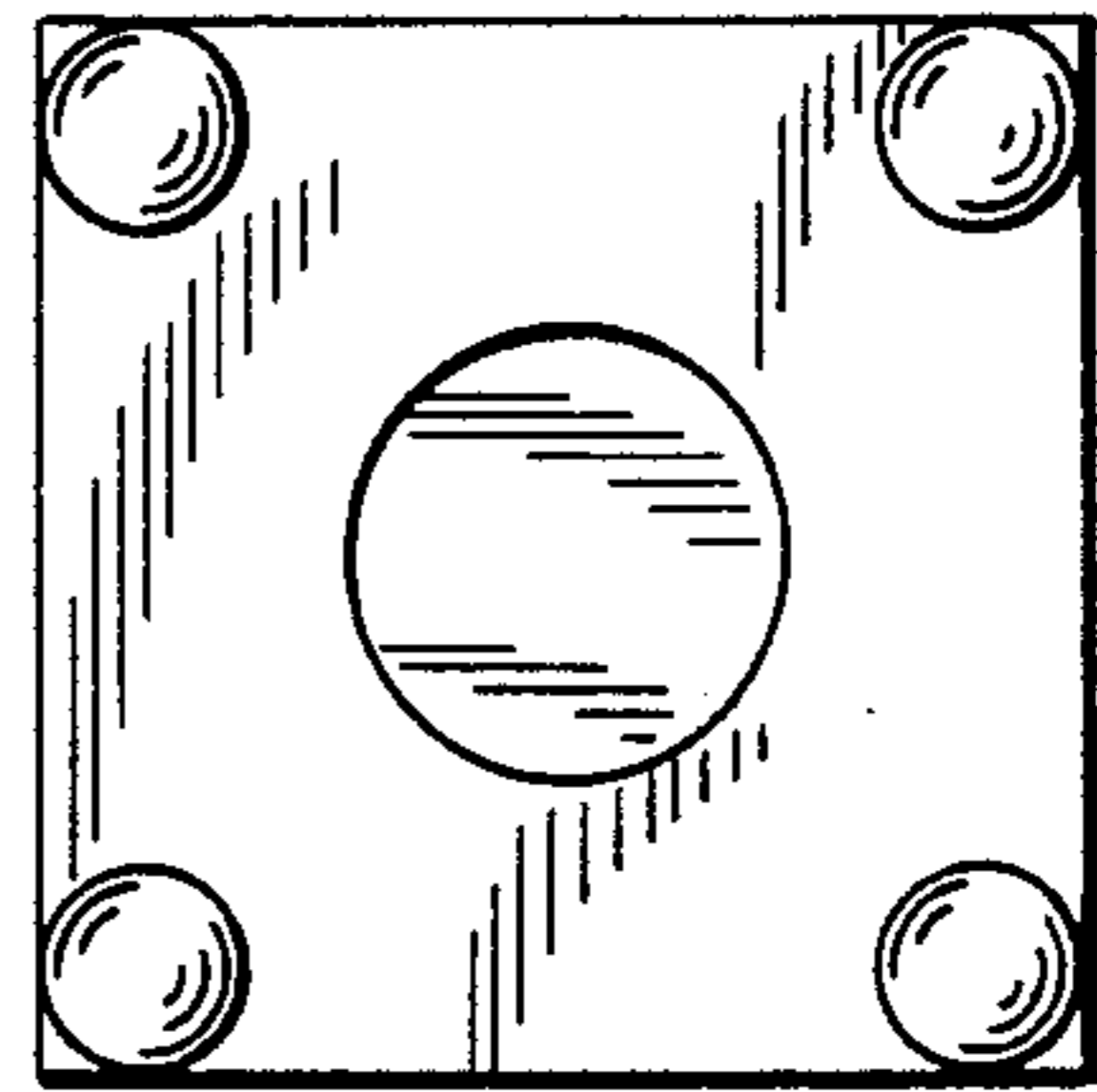


FIG. 13

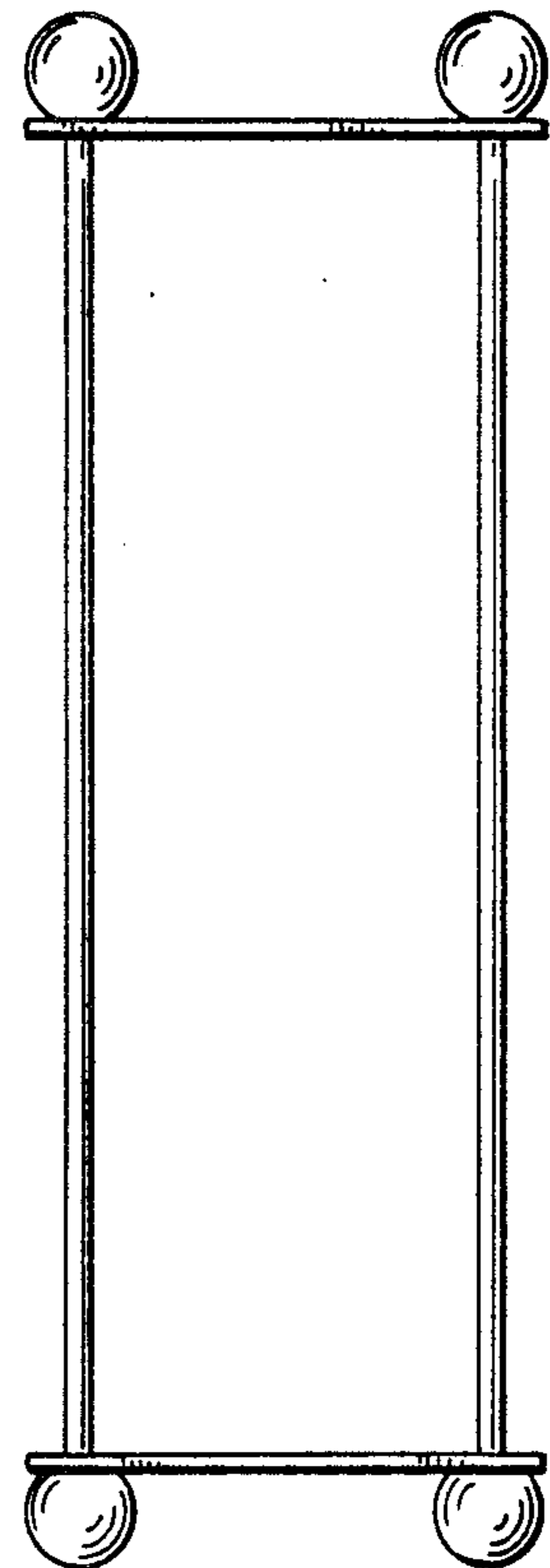


FIG. 14

