

[54] SKI EQUIPMENT CARRIER

[76] Inventor: Paul J. Vanderhorst, 1817 Enid Dr., Lithonia, Ga. 30058

[\*\*] Term: 14 Years

[21] Appl. No.: 896,830

[22] Filed: Aug. 15, 1986

[52] U.S. Cl. .... D3/36

[58] Field of Search ..... D3/36-38, D3/73; 294/147; 224/917, 1 R, 2 A, 45 S, 45 R, 42.1 E, 5 Z, 49; 211/70.5; 280/814, 815, 11.37 K; 150/52 R, 52 G, 154, 160; 190/109, 115; 206/515, 315

[56] References Cited

U.S. PATENT DOCUMENTS

D. 200,161	1/1965	Hvale et al. ....	D3/73
D. 214,711	7/1969	Sweet et al. ....	D3/38
D. 222,848	1/1972	Ausdall .....	D3/36
D. 270,495	9/1983	Owings .....	D3/36
3,297,219	1/1967	Selnes .....	224/917
3,917,137	11/1975	Wilkins .....	224/917
4,055,287	10/1977	Champenois, Jr. ....	D3/36

OTHER PUBLICATIONS

Direct mail advertisement of Diversified Products, Inc. for "Ray Ski Case".

Advertisement in Skiing Magazine, Spring, 1980, p. 11, by Covell Ski Industries, Inc. for "Ski Tote".

Product announcements in Skiing Magazine, Spring, 1980, p. 112 for Ski Tote and Ski and Pole Carrier and Ski Locker.

Advertisement of Sportcase, Inc. for Ski-Pak Carrier for Skis, Boots and Poles, etc., Circa, 1981.

Primary Examiner—Nelson C. Holtje

Assistant Examiner—Antoine D. Davis

Attorney, Agent, or Firm—Jones, Askew & Lunsford

[57] CLAIM

The ornamental design for the ski equipment carrier, as shown and described.

DESCRIPTION

FIG. 1 is a front perspective view of a ski equipment carrier showing my new design;

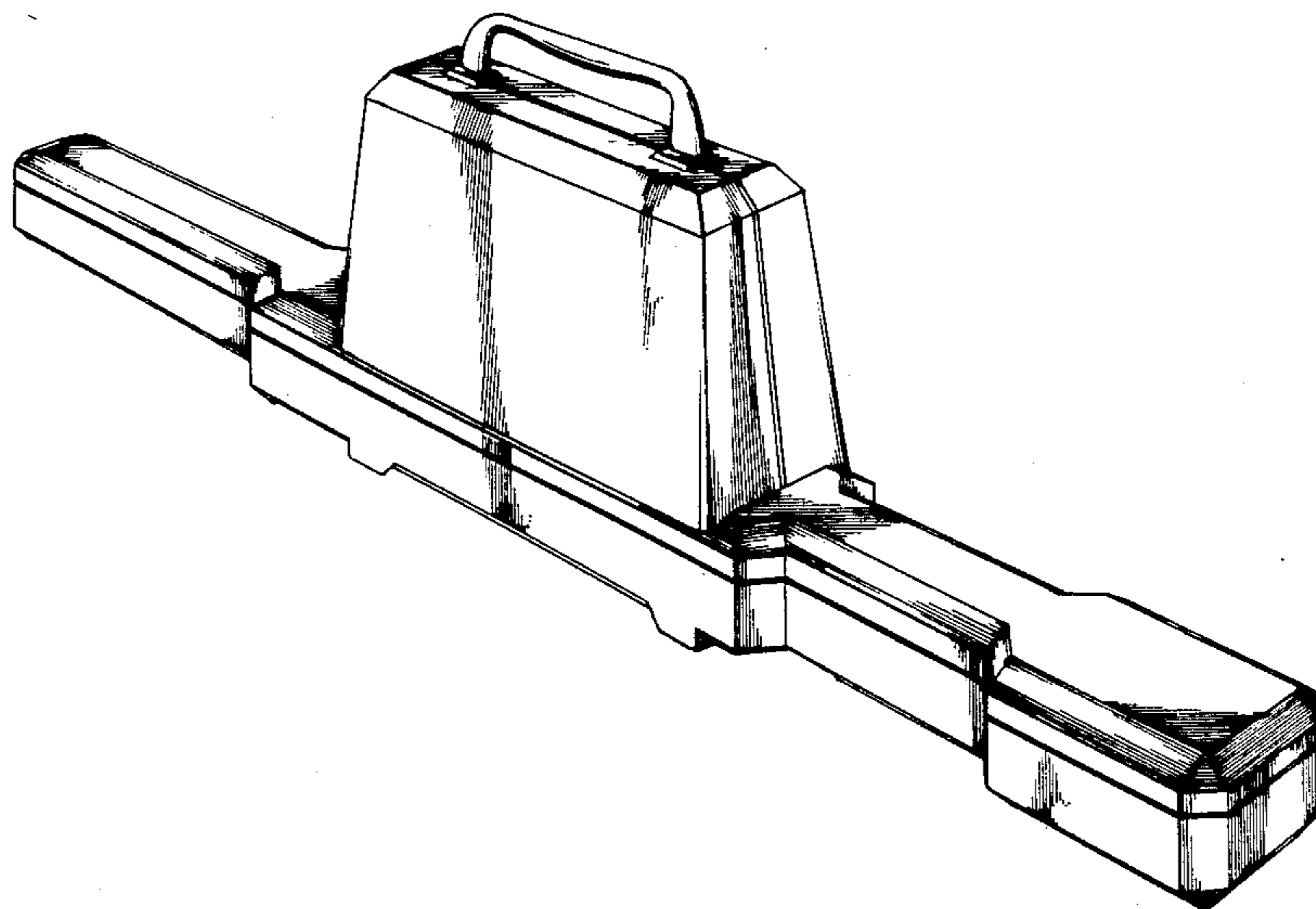
FIG. 2 is a top plan view thereof;

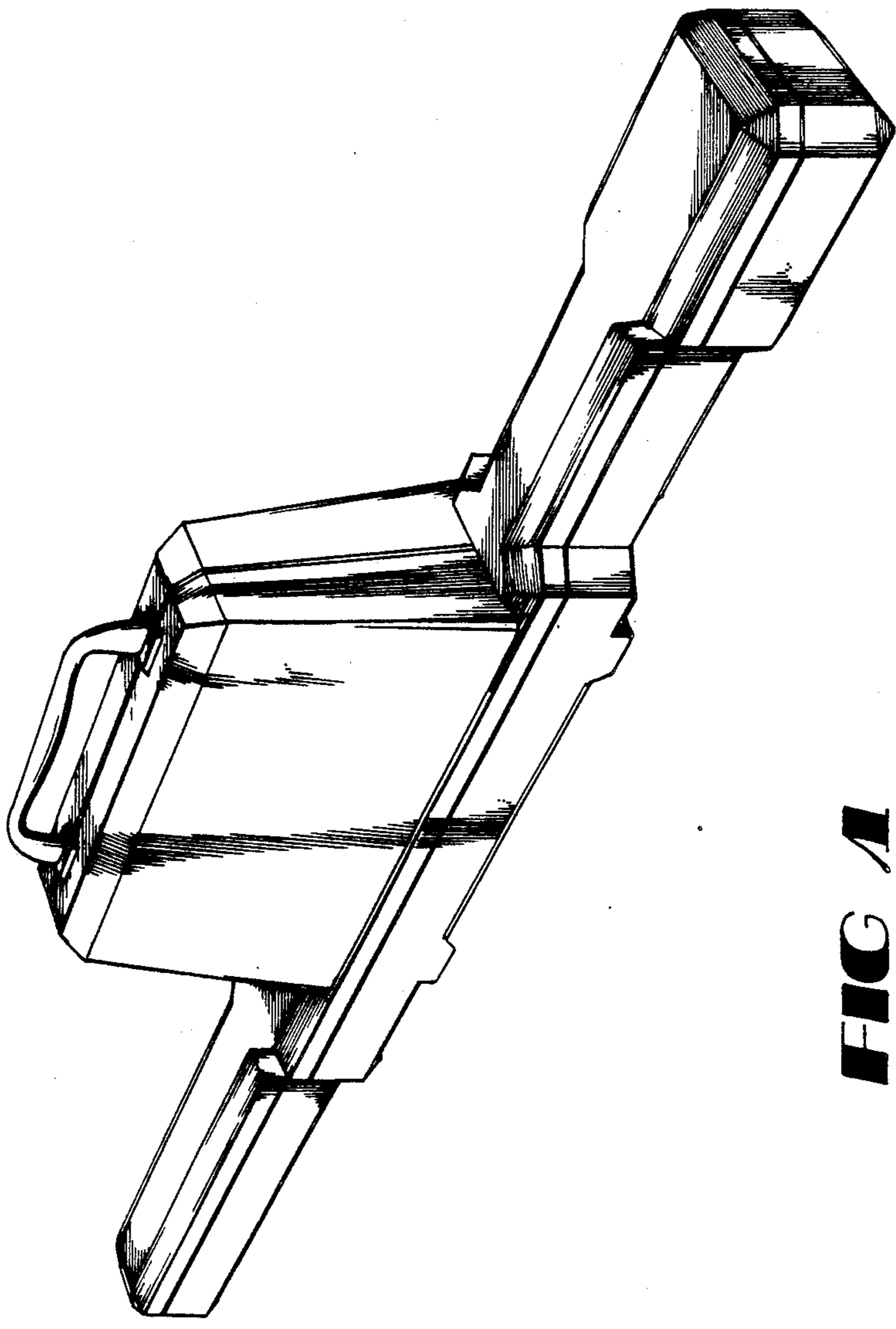
FIG. 3 is a bottom plan view thereof;

FIG. 4 is a right side elevational view thereof;

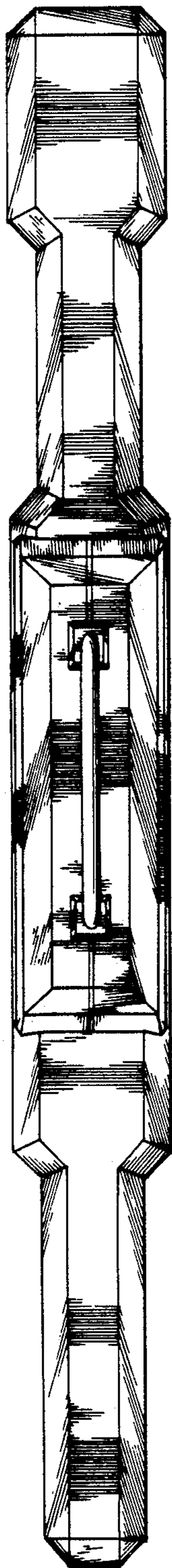
FIG. 5 is a front elevational view; and

FIG. 6 is a rear elevational view thereof.

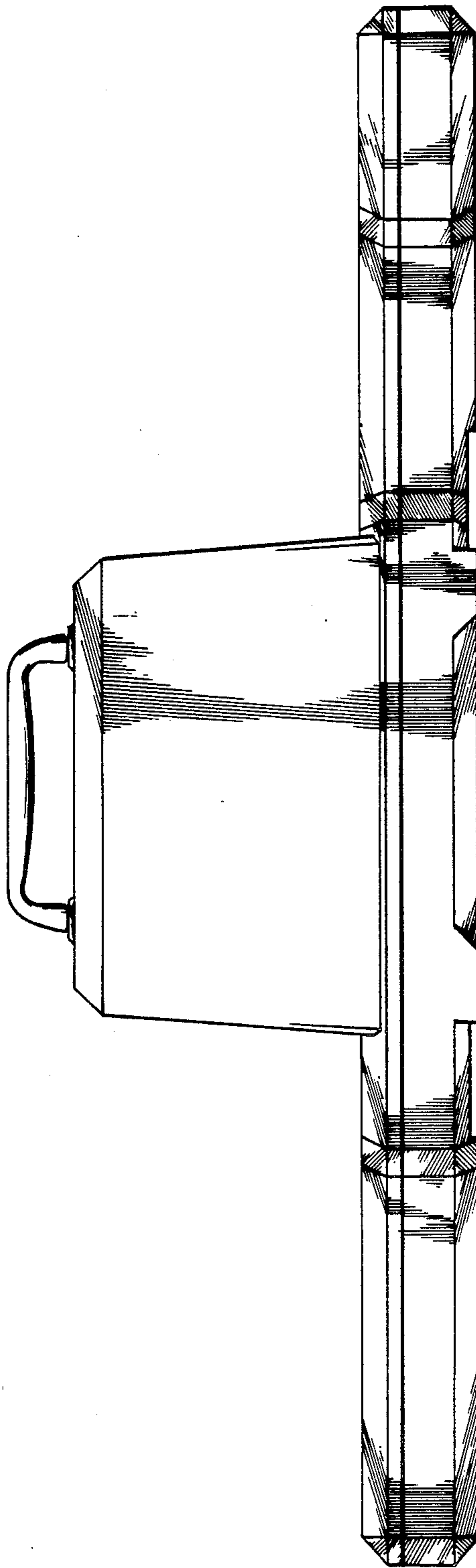




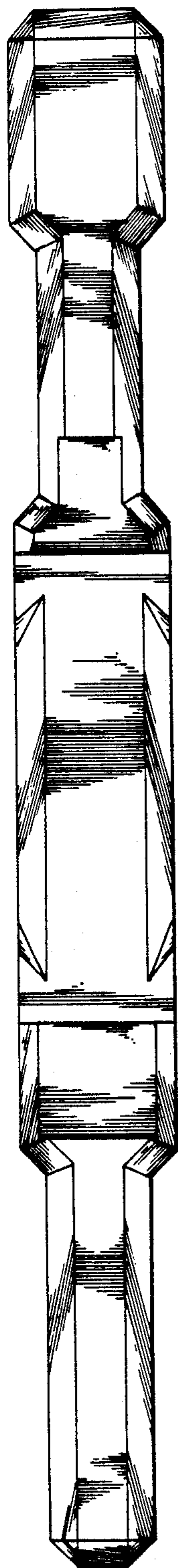
**FIG 1**



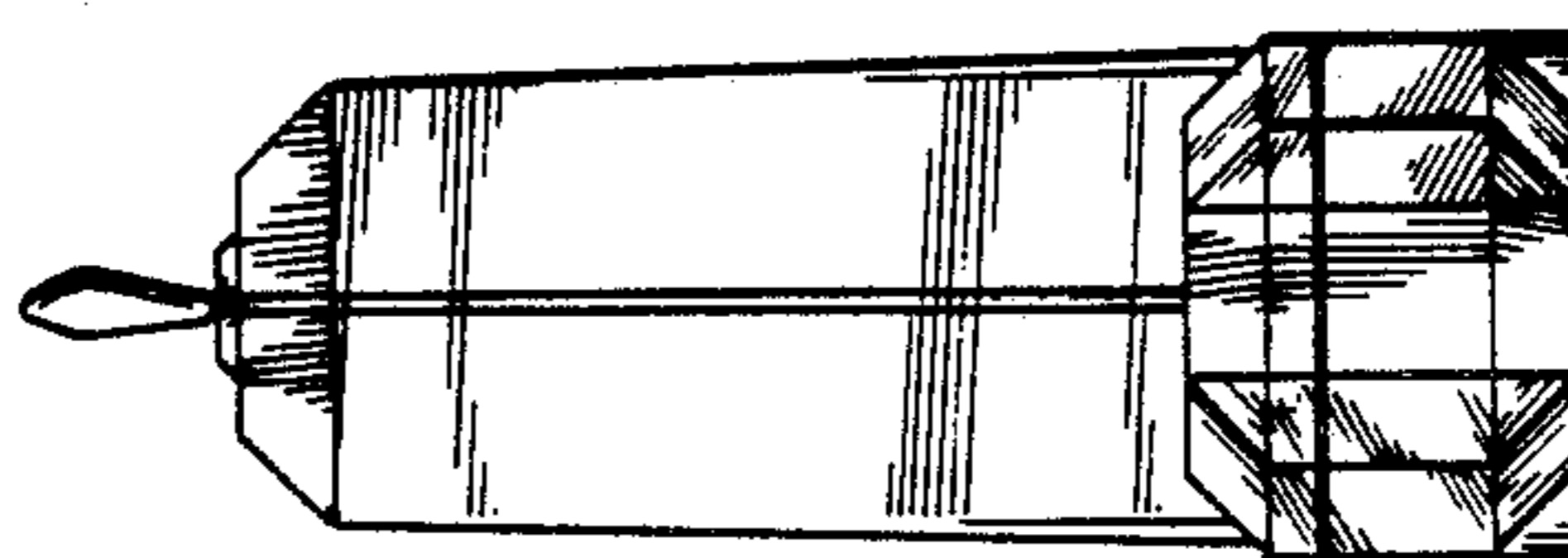
**FIG 2**



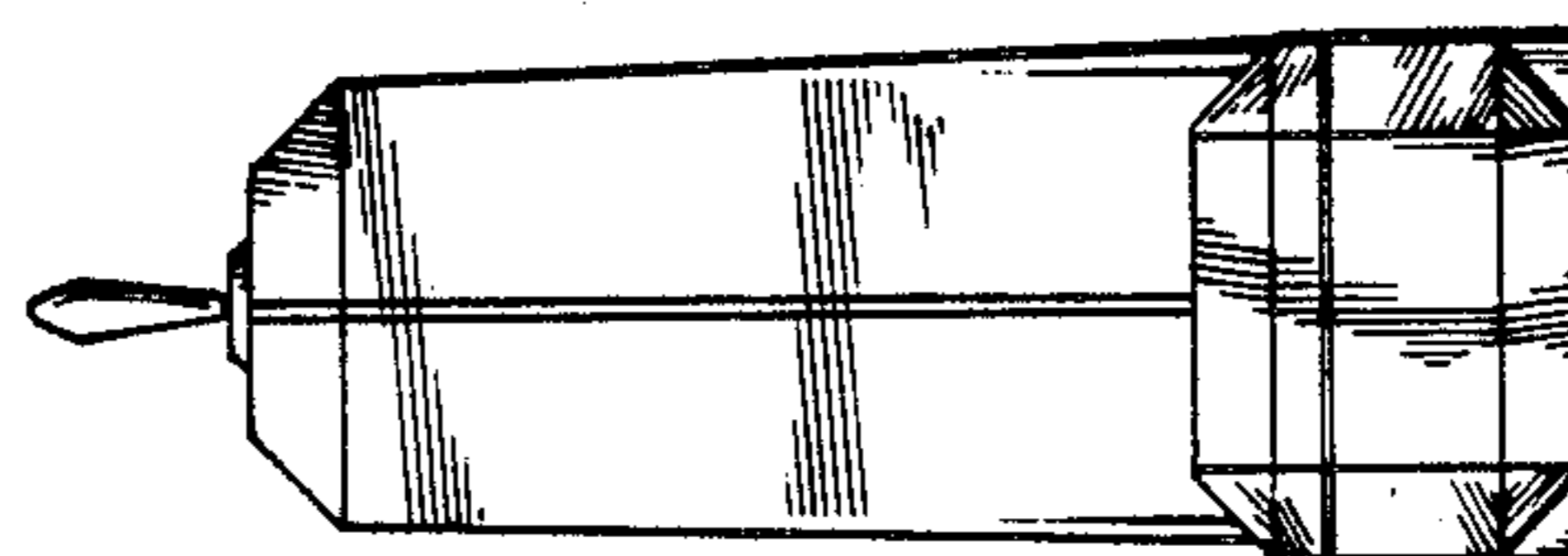
**FIG 4**



**FIG 3**



**FIG 6**



**FIG 5**