

[54] **MAILBOX COVER**

[76] **Inventor:** Nancy B. Carter, 1203 Mountain Rd.,  
Asheboro, N.C. 27203

[\*\*] **Term:** 14 Years

[21] **Appl. No.:** 26,554

[22] **Filed:** Mar. 17, 1987

[52] **U.S. Cl.** ..... D99/29

[58] **Field of Search** ..... D99/29-33;  
232/17, 24-31, 33, 34, 35, 37, 38, 39

[56] **References Cited**

**U.S. PATENT DOCUMENTS**

4,368,842 1/1983 DeLange, III ..... D99/29 X

**OTHER PUBLICATIONS**

*Walter Drake* catalog, ©1979, p. 54, second panel,  
"Merry Christmas Mailbox Cover".

*Primary Examiner*—Winifred E. Herrmann  
*Assistant Examiner*—John Warchol  
*Attorney, Agent, or Firm*—C. Robert Rhodes; Judith E.  
Garmon

[57] **CLAIM**

The ornamental design for a mailbox cover, as shown  
and described.

**DESCRIPTION**

FIG. 1 is a top, front and right side perspective view of  
a mailbox cover showing my new design; and  
FIG. 2 is a top, rear and left side perspective view  
thereof.

The underside of the mailbox cover is plain.

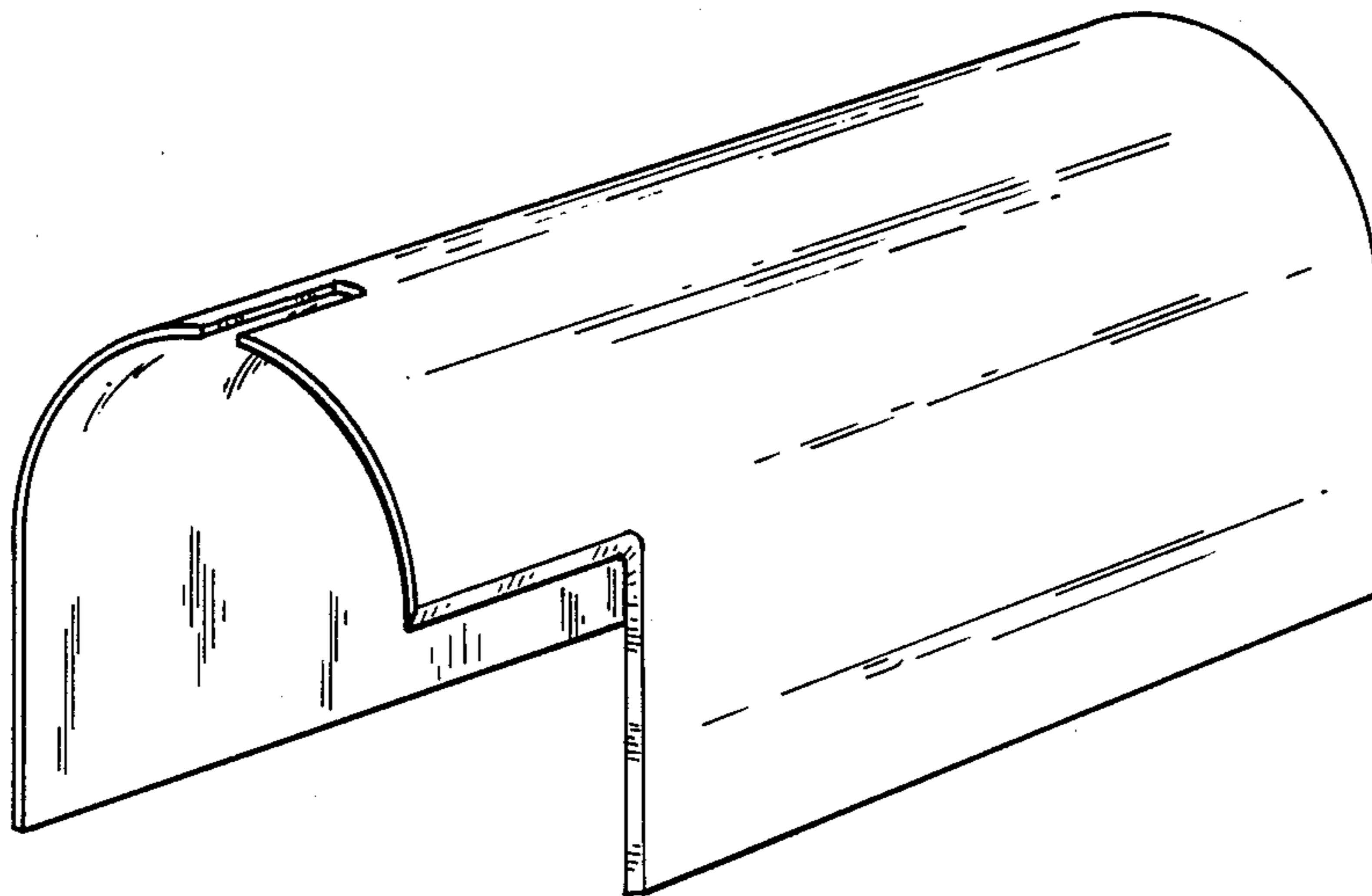


FIG. 1

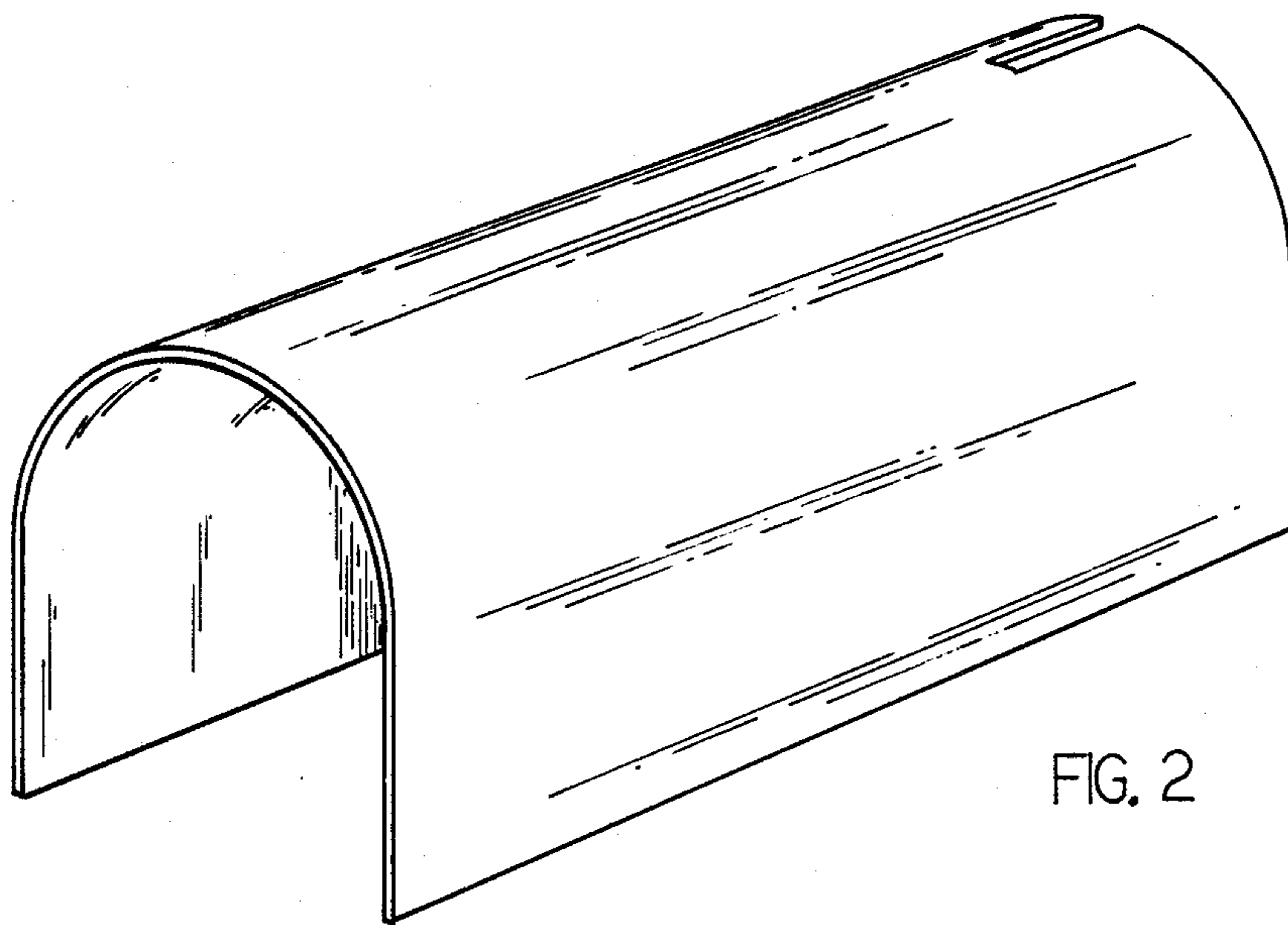
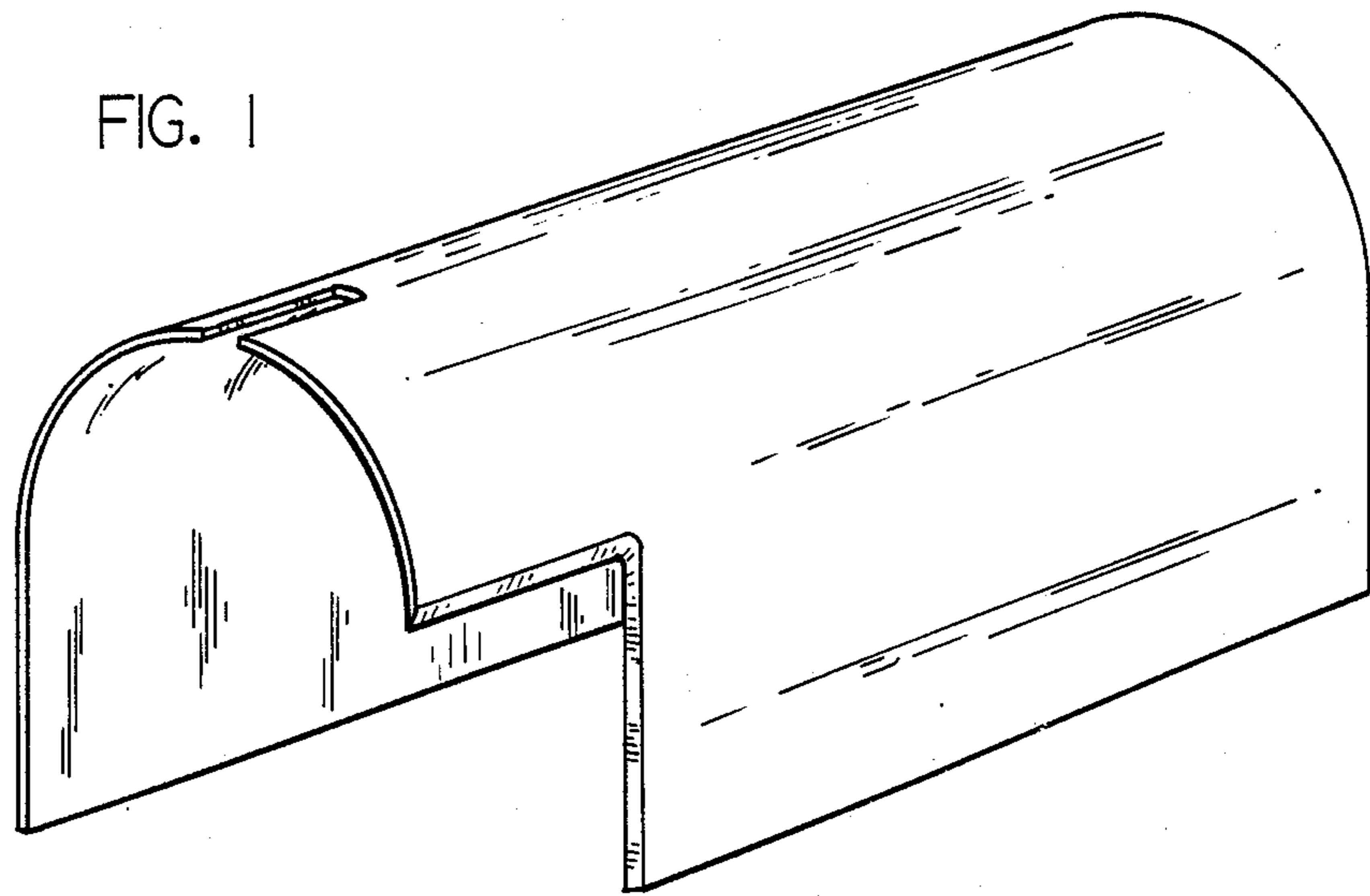


FIG. 2