

[54] **INSULATED FOOD TRANSPORTING CABINET**

[75] Inventors: **Albert Kolvites, Mountaintop; John L. Giungo, Dresher; Robert J. Cohn, Dallas, all of Pa.**

[73] Assignee: **InterMetro Industries Corporation, Wilkes-Barre, Pa.**

[\*\*] Term: **14 Years**

[21] Appl. No.: **97,940**

[22] Filed: **Sep. 17, 1987**

[52] U.S. Cl. .... **D34/19; D34/21**

[58] Field of Search ..... **D34/12, 14, 17, 19, D34/20, 21, 22, 23; 312/214, 350, 250**

[56] **References Cited**

**U.S. PATENT DOCUMENTS**

D. 283,769	5/1986	Cohn .....	D34/19
1,800,052	4/1931	Brumbaugh .....	312/350
2,323,870	7/1943	Kaliska .....	312/214
3,321,258	5/1967	MacKay .....	312/250
3,868,123	2/1975	Berg et al. ....	312/250
3,886,346	5/1975	Meyers .....	312/214
4,775,002	10/1988	Iwamoto .....	312/214

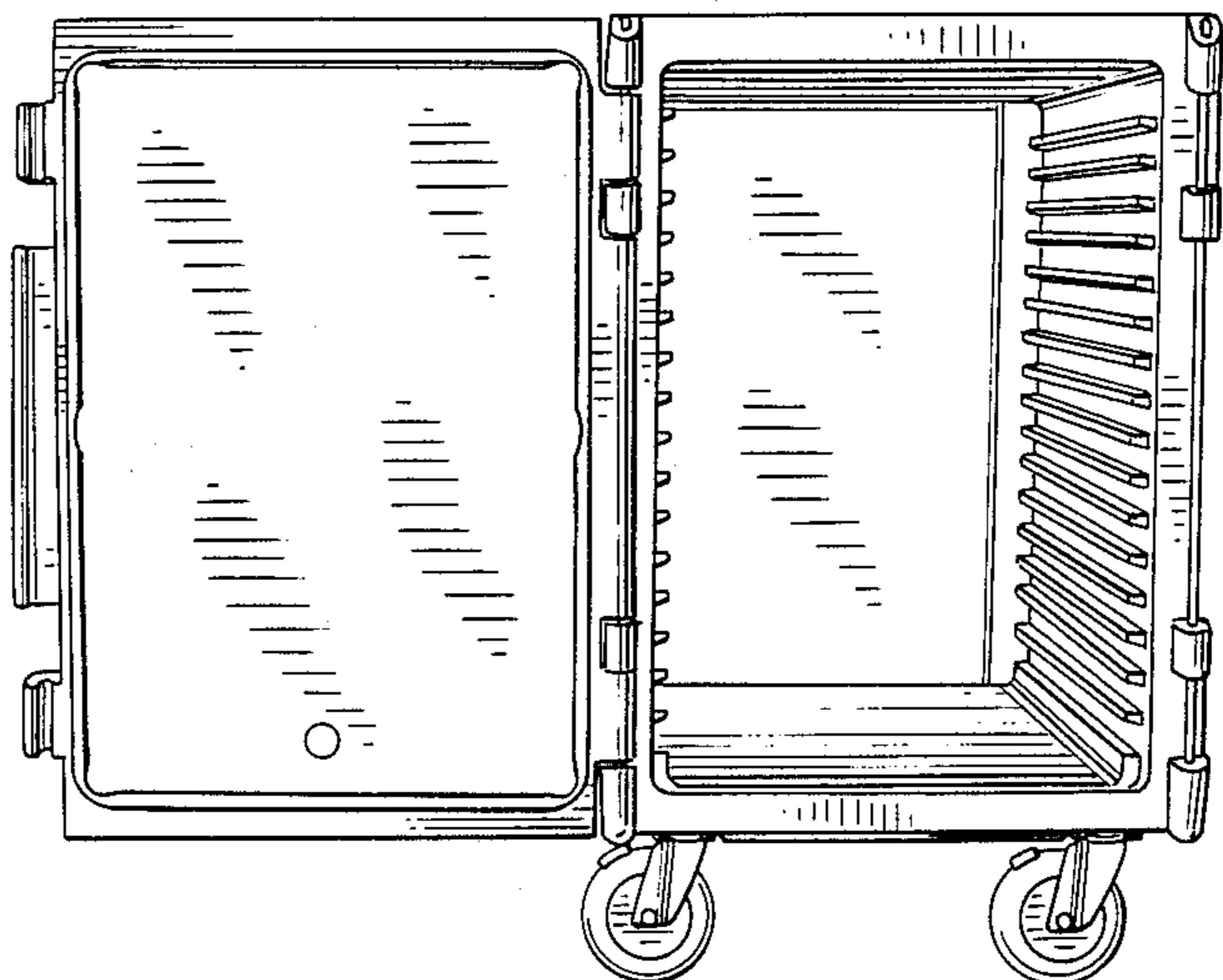
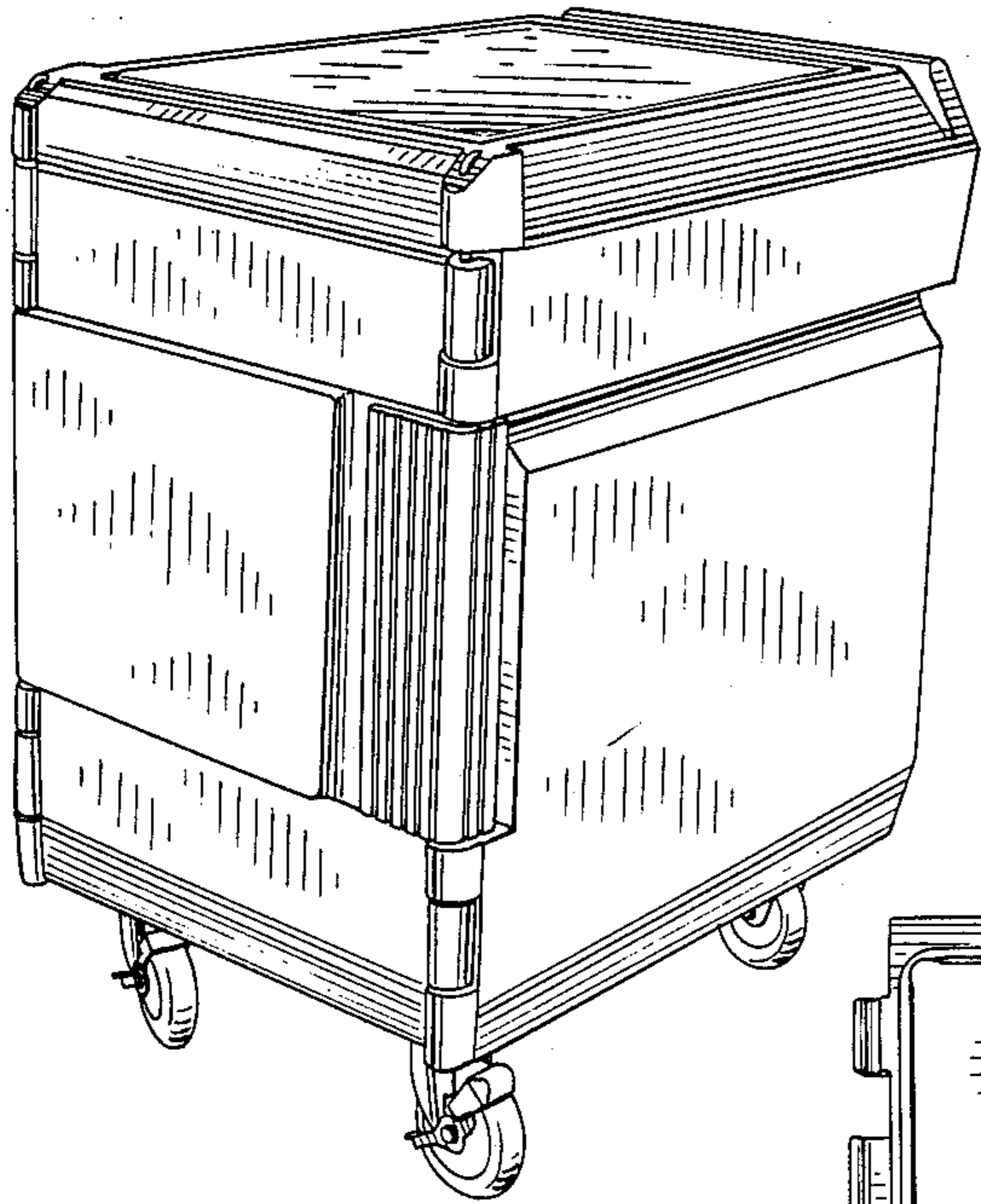
*Primary Examiner*—Wallace R. Burke  
*Assistant Examiner*—Kay H. Chin  
*Attorney, Agent, or Firm*—Fitzpatrick, Cella, Harper & Scinto

[57] **CLAIM**

The ornamental design for an insulated food transporting cabinet, as shown and described.

**DESCRIPTION**

FIG. 1 is a perspective view of an insulated food transporting cabinet showing our new design; FIG. 2 is front elevational view thereof; FIG. 3 is a front elevational view thereof showing a door in open position and the interior thereof; FIG. 4 is a rear elevational view thereof; FIG. 5 is a right side elevational view thereof; FIG. 6 is a left side elevational view thereof; FIG. 7 is a top plan view thereof; FIG. 8 is a bottom plan view thereof; FIG. 9 is a front elevational view of a second embodiment of the insulated food transporting cabinet, the sole difference from the first embodiment being a latch mounted on the left side of the cabinet; FIG. 10 is a front elevational view of FIG. 9 showing a door in open position and the interior thereof.



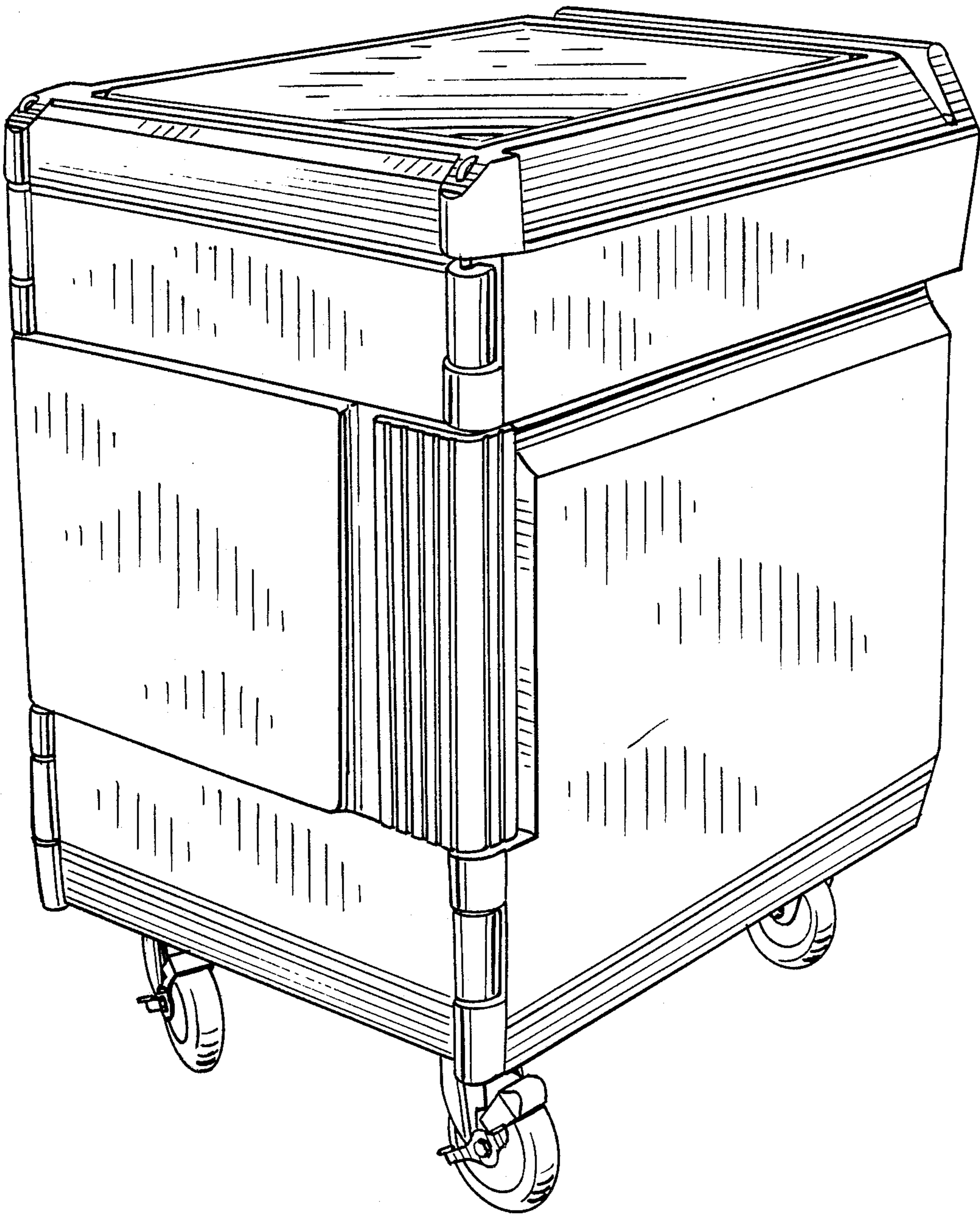


Fig. 1.

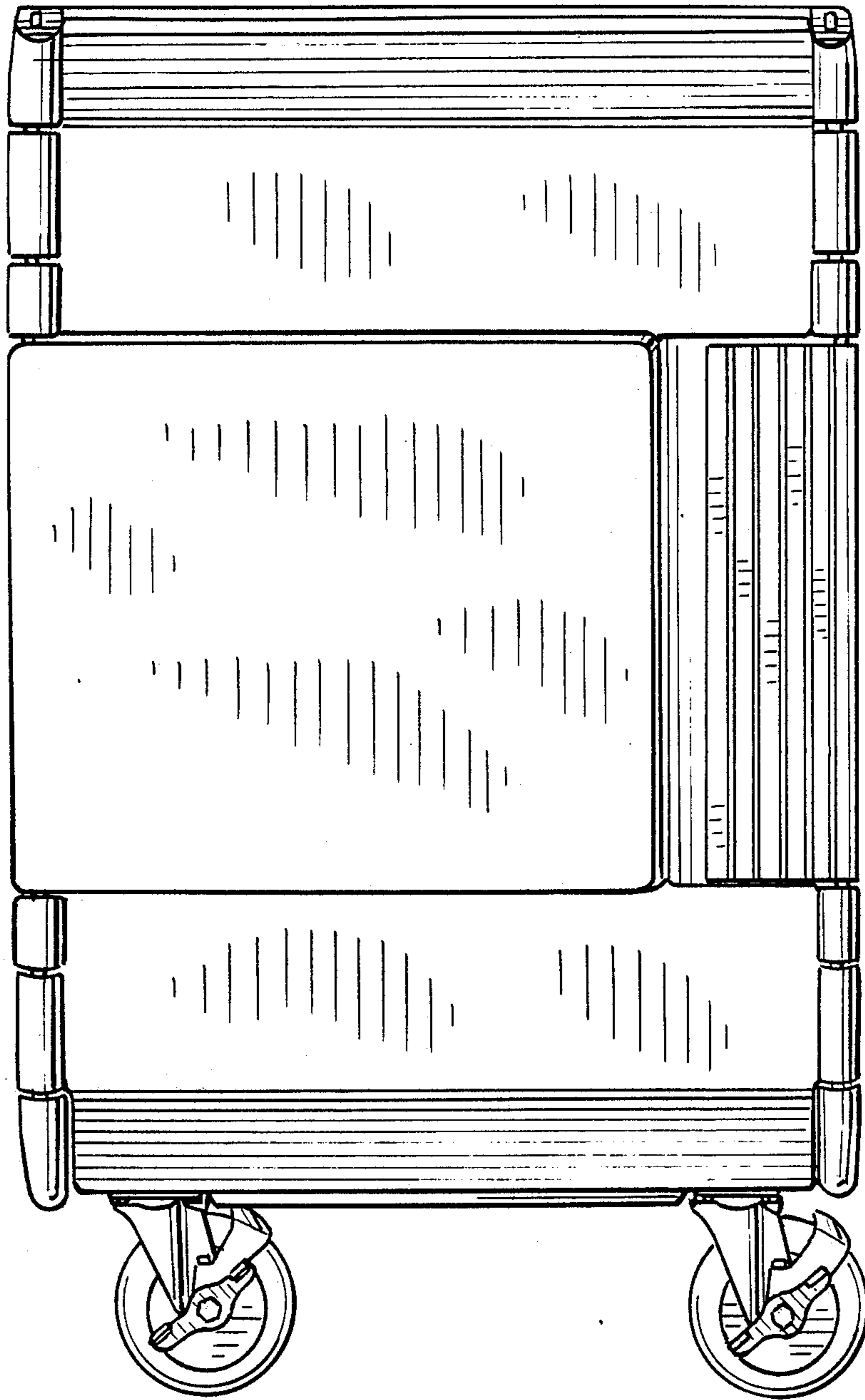


Fig. 2.

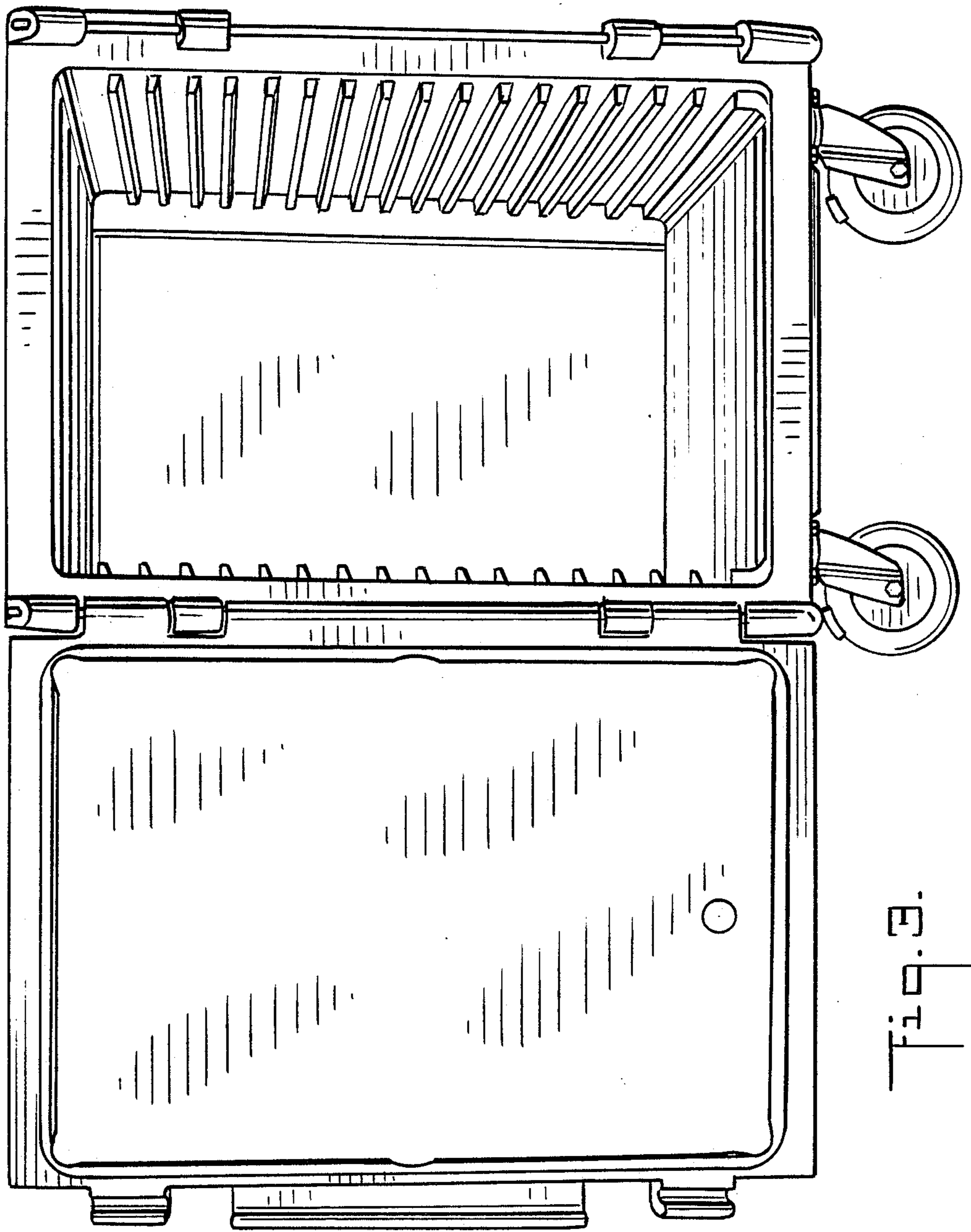


Fig. 3.

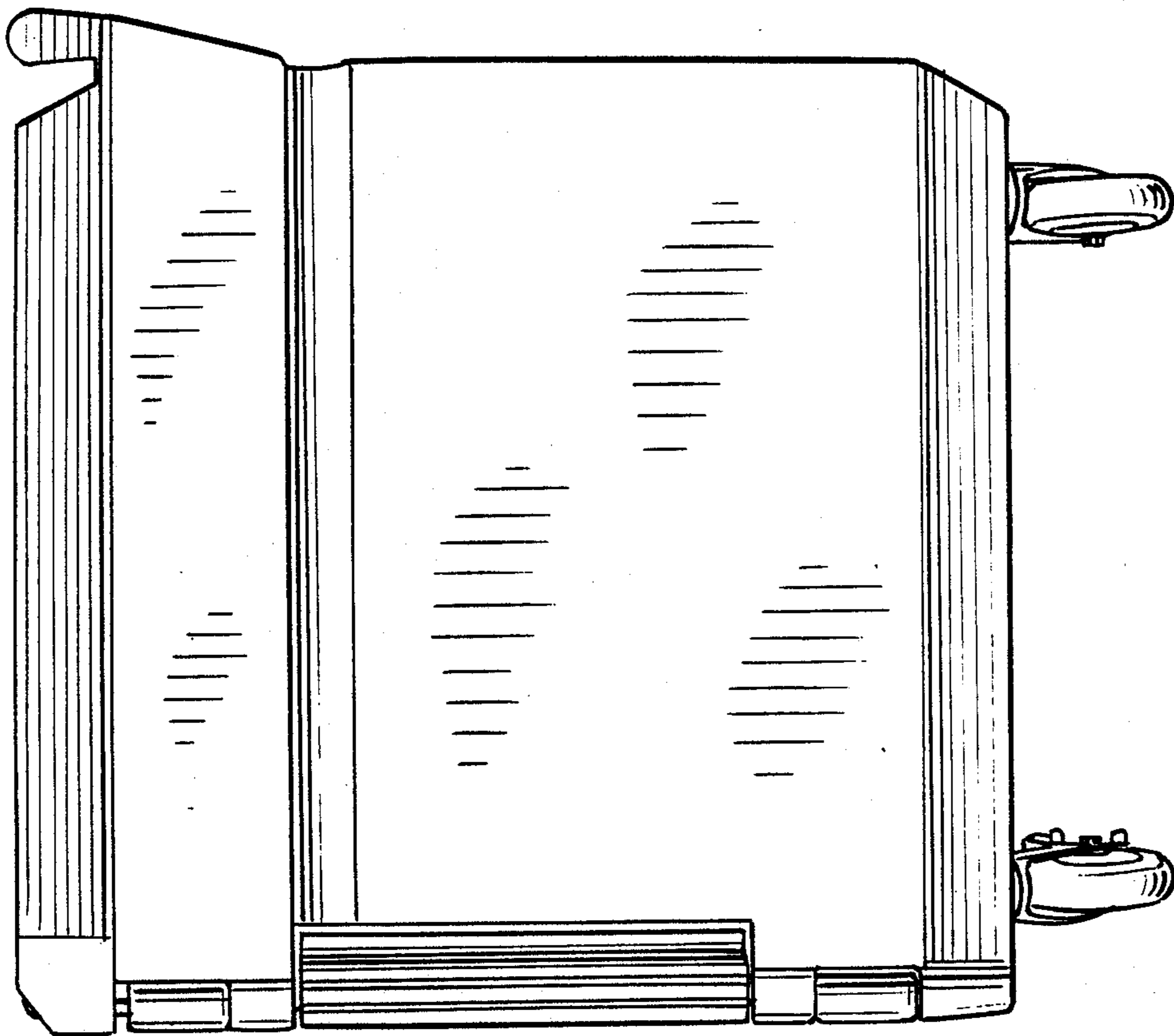


Fig. 3.

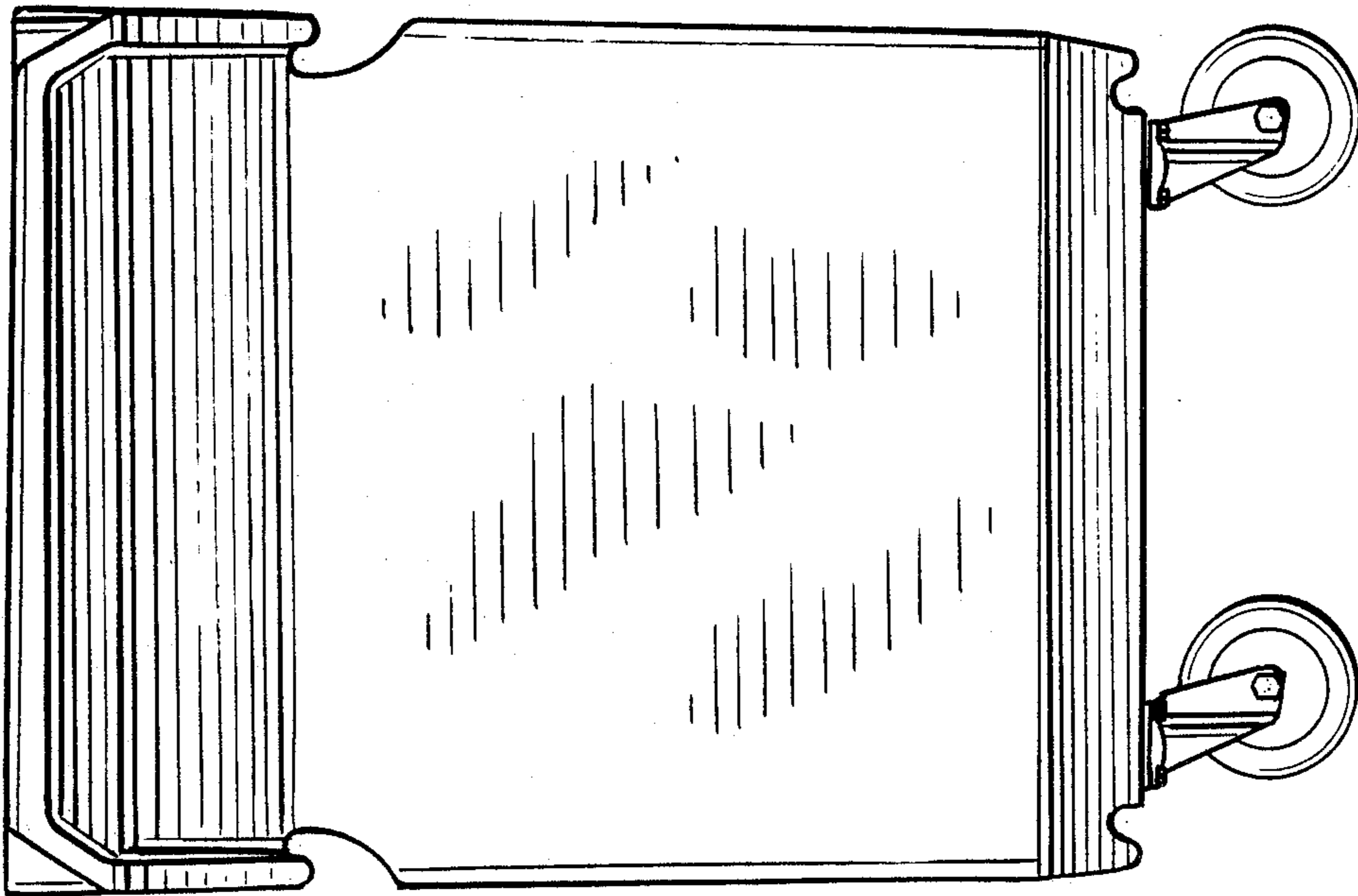


Fig. 4.

Fig. 7.

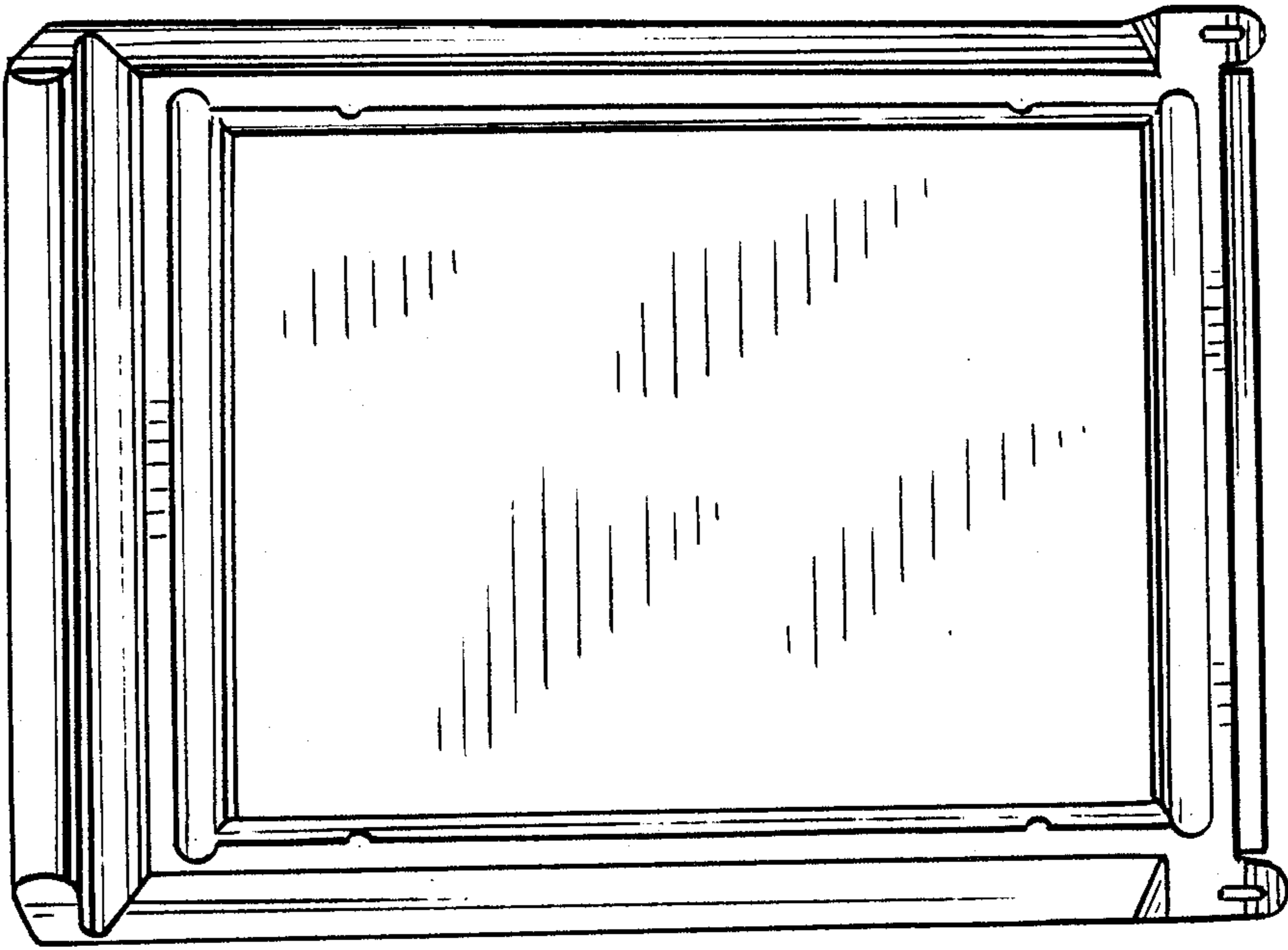


Fig. 6.

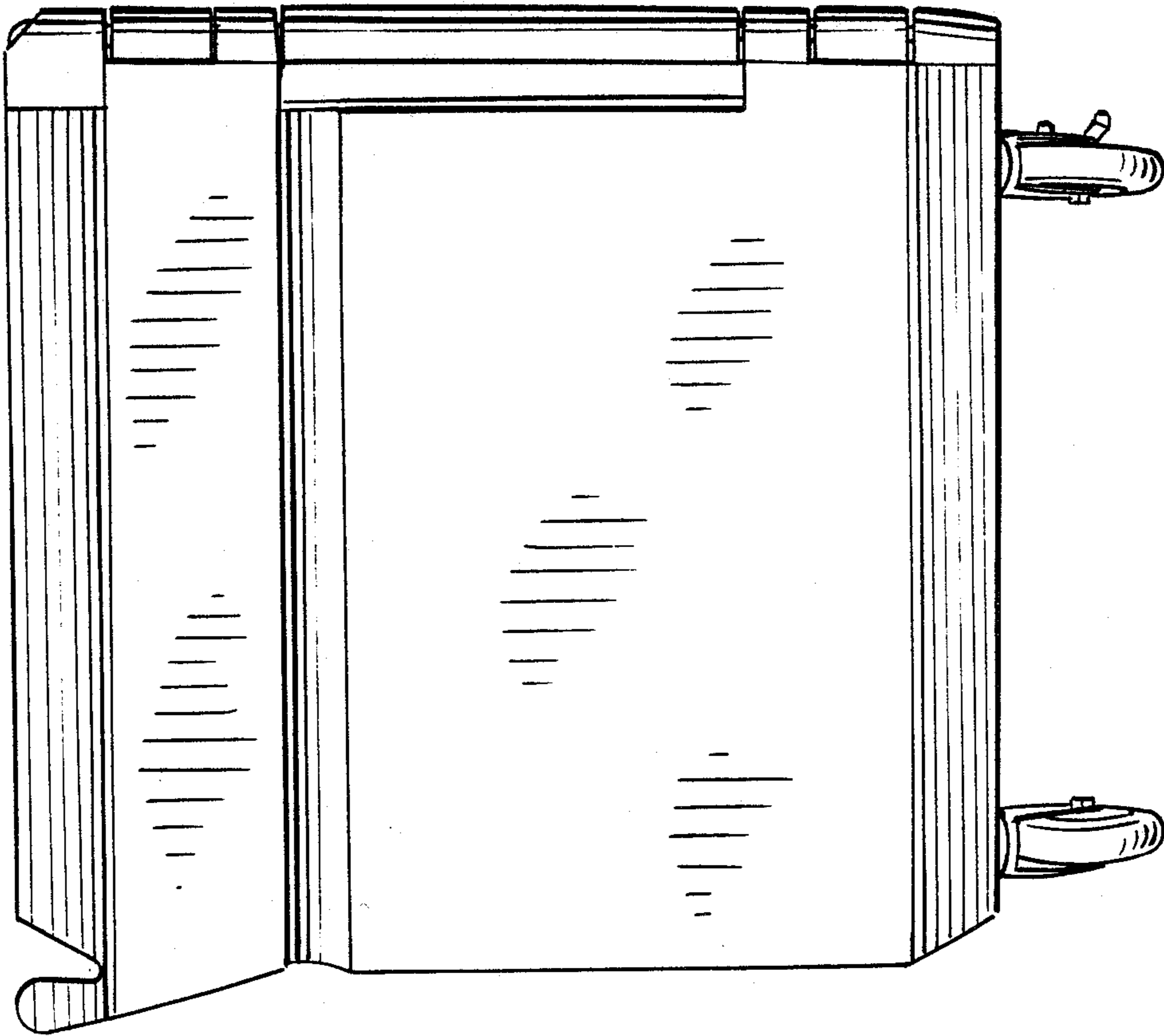


Fig. 9.

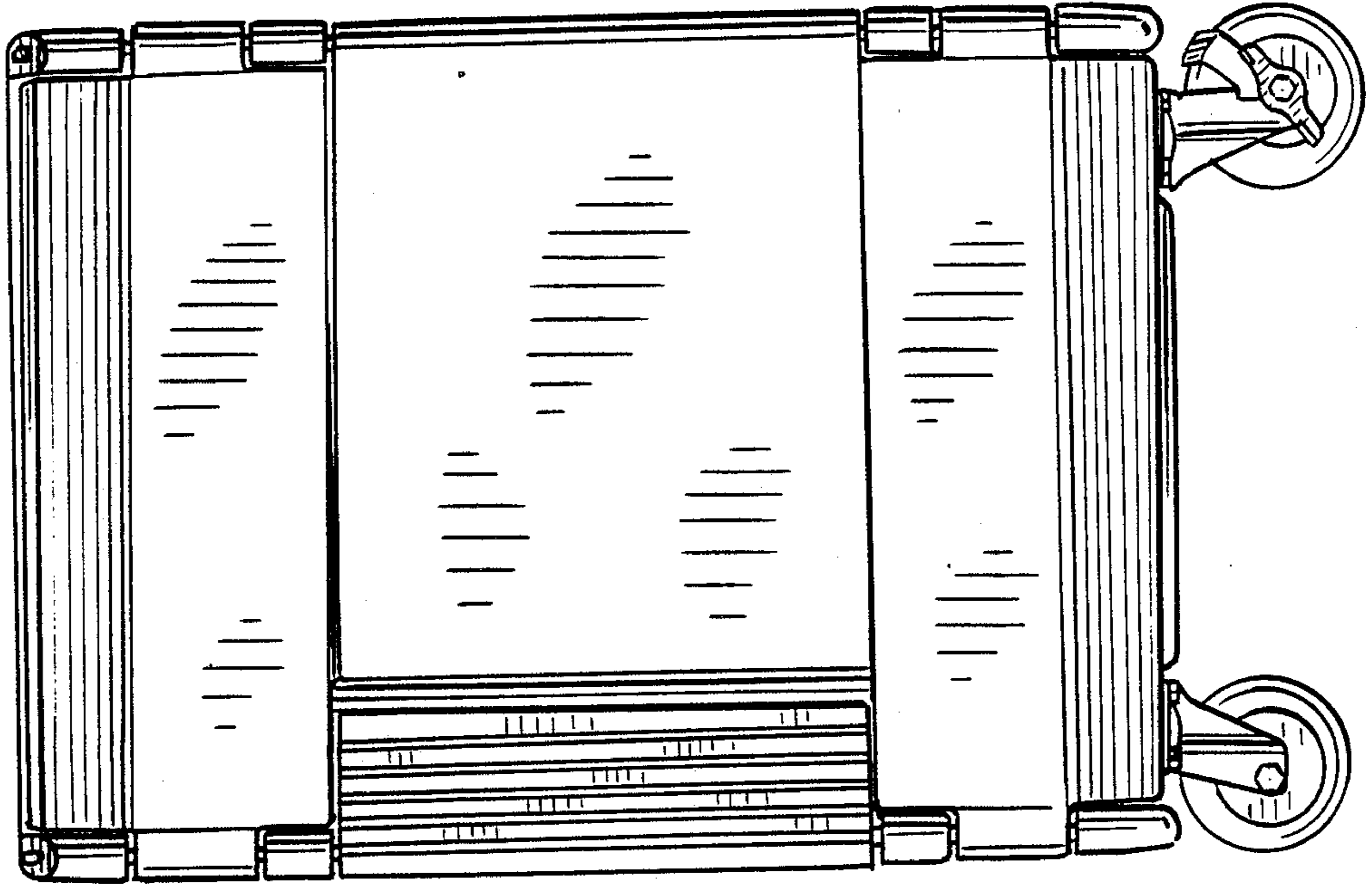
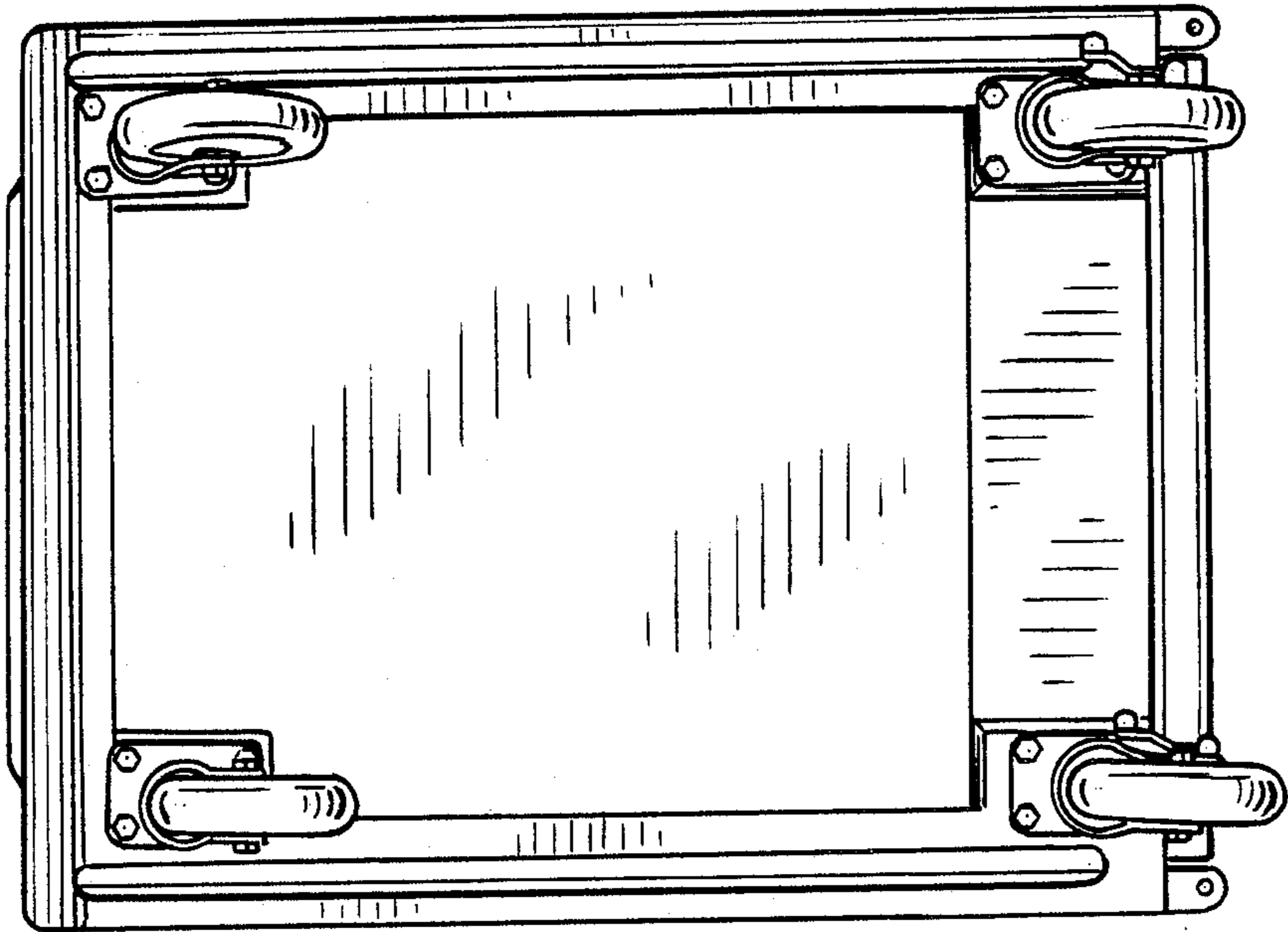


Fig. 8.



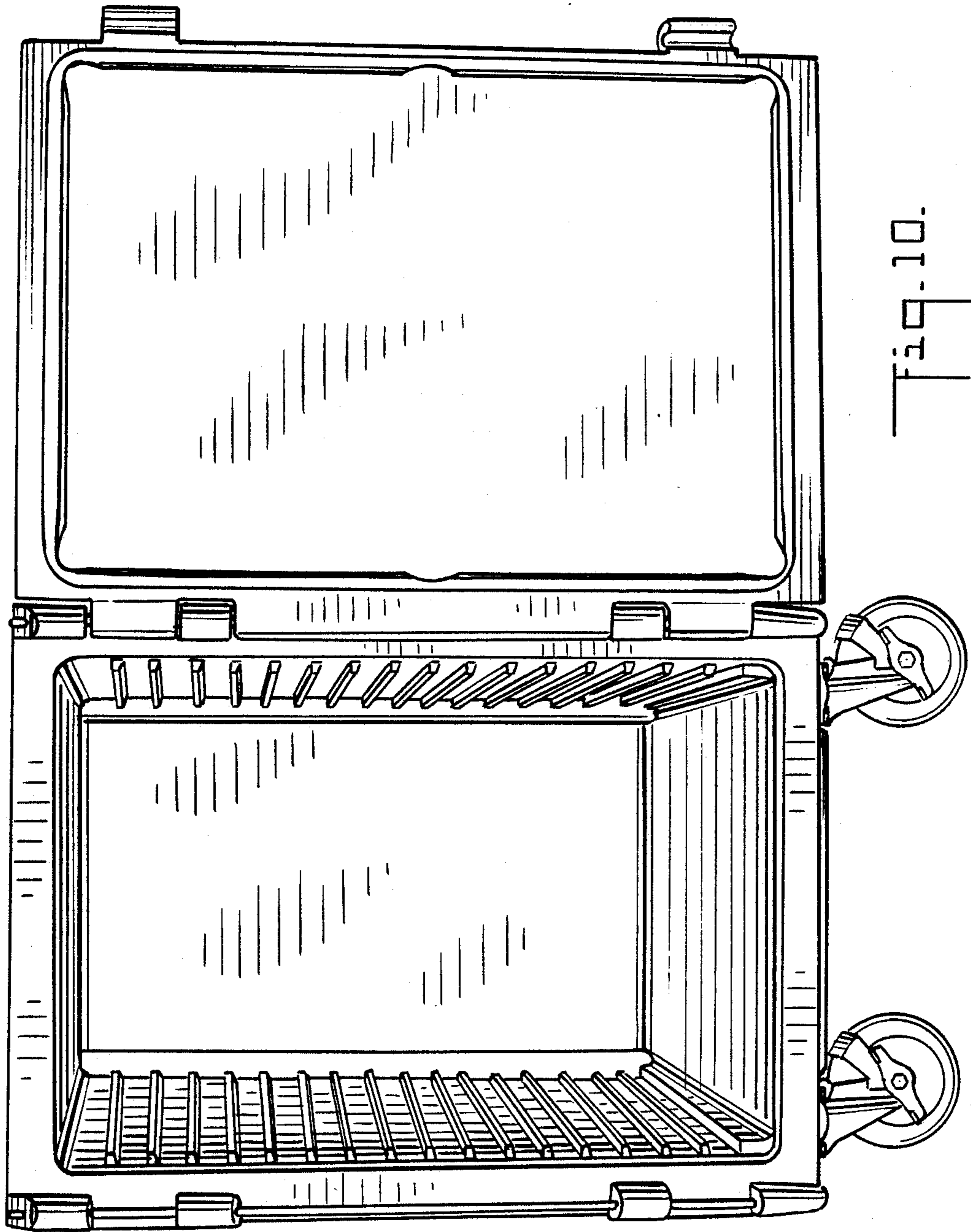


Fig. 10.