

[54] BAGGAGE CART BODY

[75] Inventors: Pierre R. Gohier; Mark N. Person; Walter D. Compton, all of Orlando, Fla.

[73] Assignee: United Tractor Company, Cleveland, Ohio

[**] Term: 14 Years

[21] Appl. No.: 911,624

[22] Filed: Sep. 24, 1986

[52] U.S. Cl. D34/12; D34/17; D34/27

[58] Field of Search D34/12, 17, 18, 27; 280/47.34, 82; 296/182; 312/250

[56] References Cited

U.S. PATENT DOCUMENTS

D. 219,268	11/1970	Isaacs	D34/17
2,709,109	5/1955	Reyburn	D34/17
3,964,762	6/1976	Adams	D34/17
4,768,806	9/1988	Tetreault	296/182

FOREIGN PATENT DOCUMENTS

3633945	4/1988	Fed. Rep. of Germany	...	280/47.34
---------	--------	----------------------	-----	-----------

OTHER PUBLICATIONS

New Equipment Digest, Nov. 1986, p. 18, Quickwood Inc., Platform Truck.

Primary Examiner—Wallace R. Burke
Assistant Examiner—Kay H. Chin
Attorney, Agent, or Firm—Fay, Sharpe, Beall, Fagan, Minnich & McKee

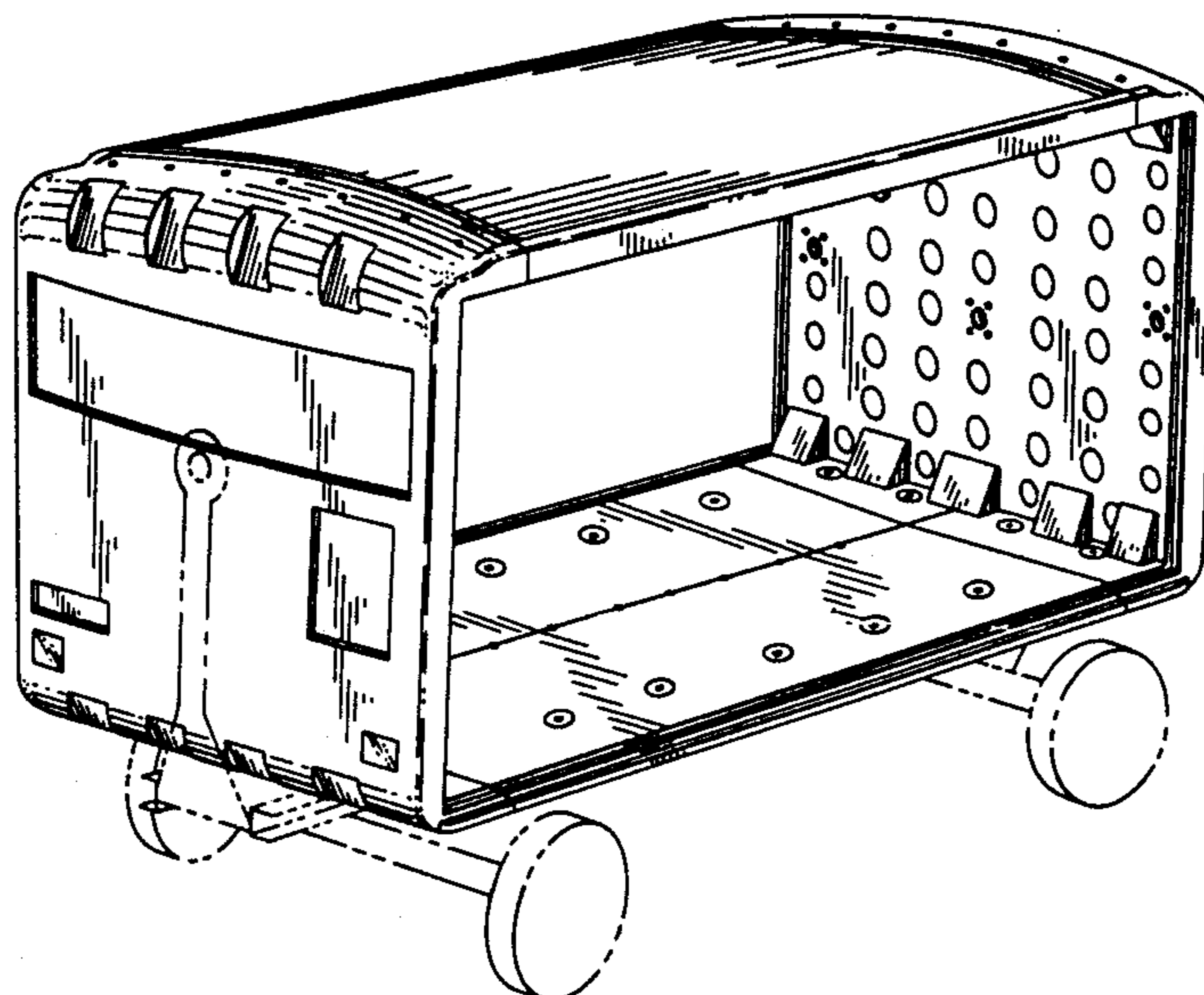
[57] CLAIM

The ornamental design for a baggage cart body, as shown and described.

DESCRIPTION

FIG. 1 is a left side elevational view of a baggage cart body showing our new design, the right side elevational view being a mirror image of that shown; FIG. 2 is a front elevational view thereof; FIG. 3 is a rear elevational view thereof; FIG. 4 is a top plan view thereof; FIG. 5 is a top, front perspective view thereof; FIG. 6 is a bottom, rear perspective view thereof; and FIG. 7 is a top, rear perspective view thereof.

The broken lines shown in FIGS. 1, 2, 3, 5, 6 and 7 are for illustrative purposes only and form no part of the claimed design.



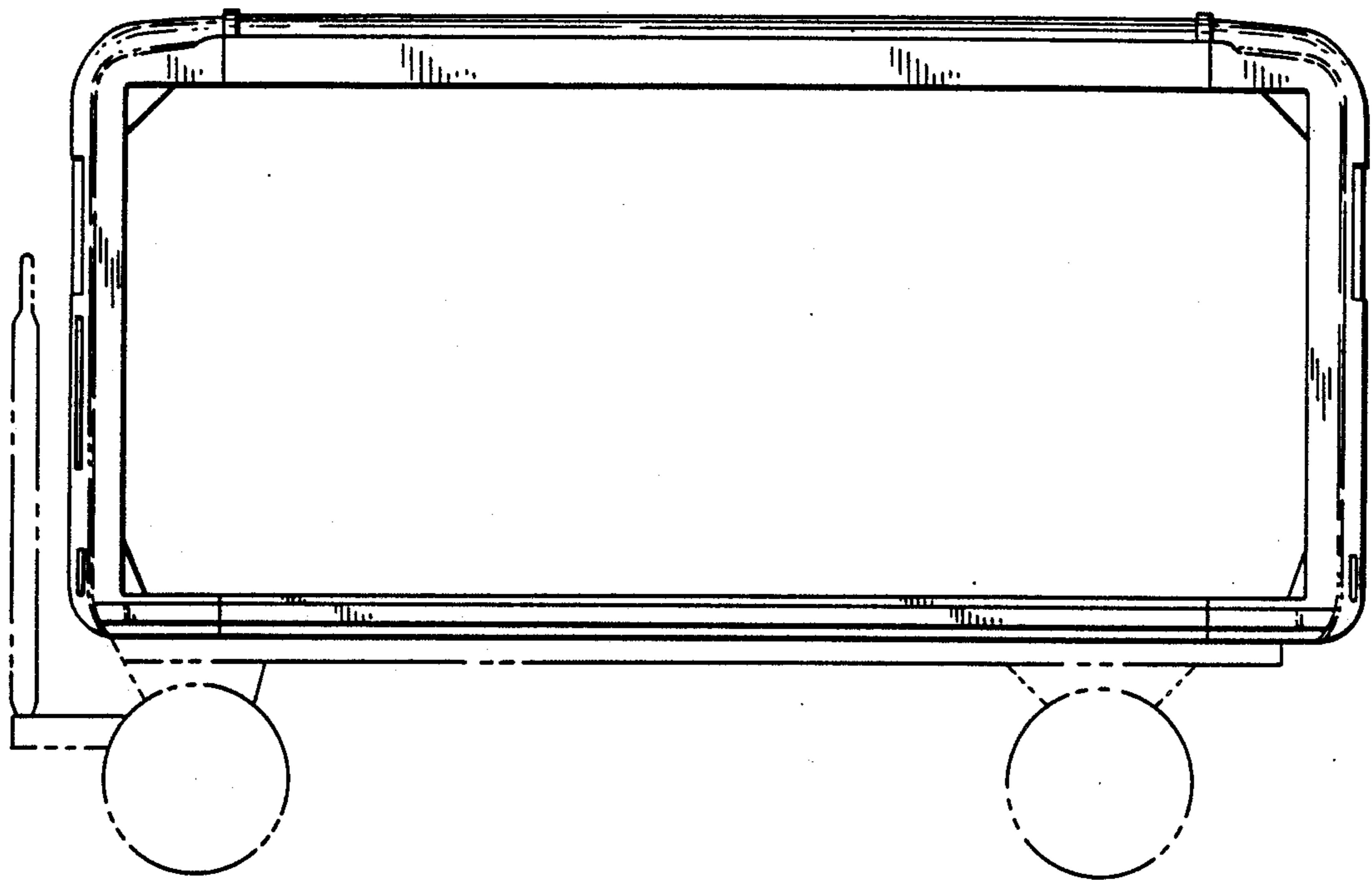


FIG. 1

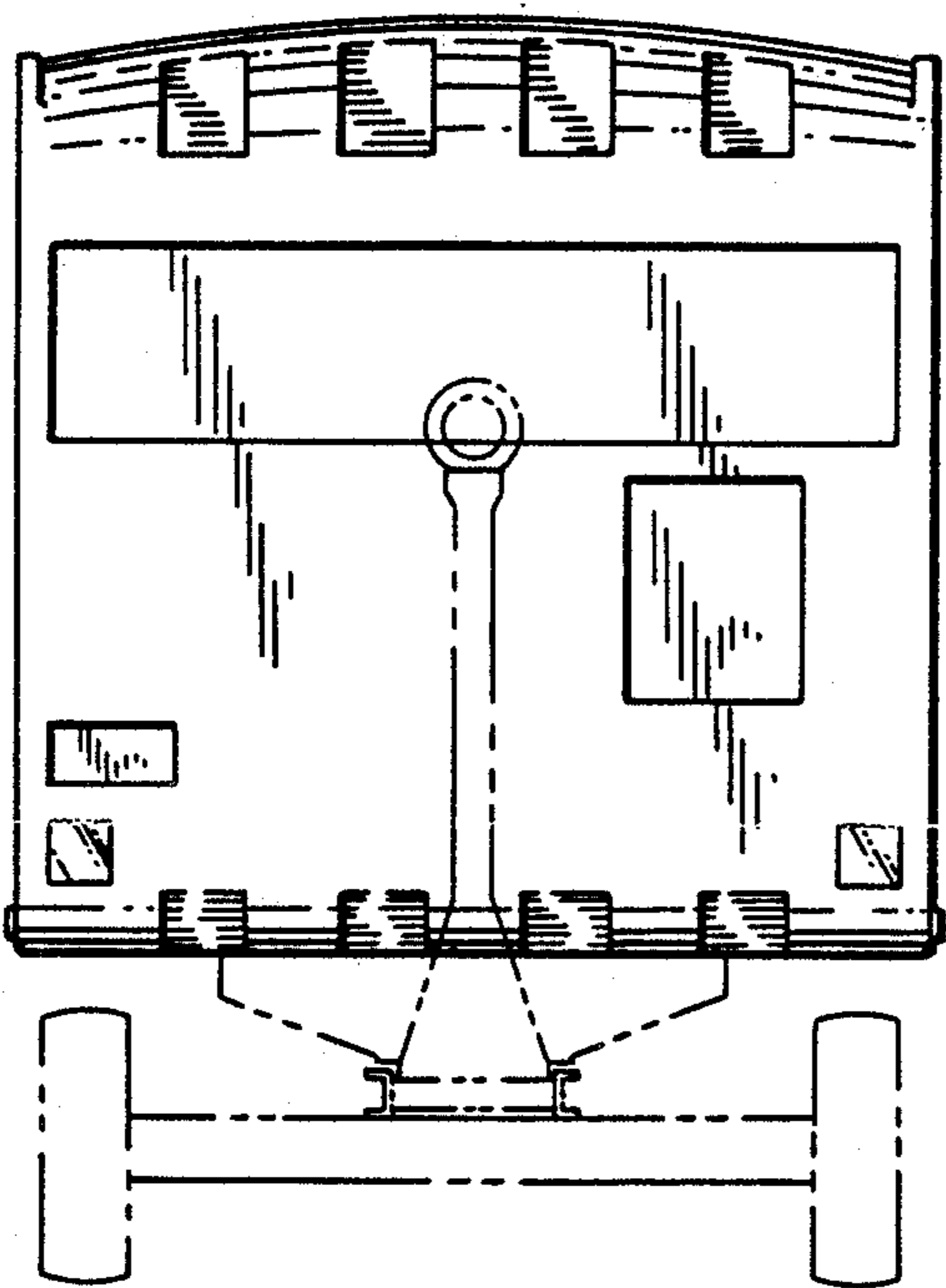


FIG. 2

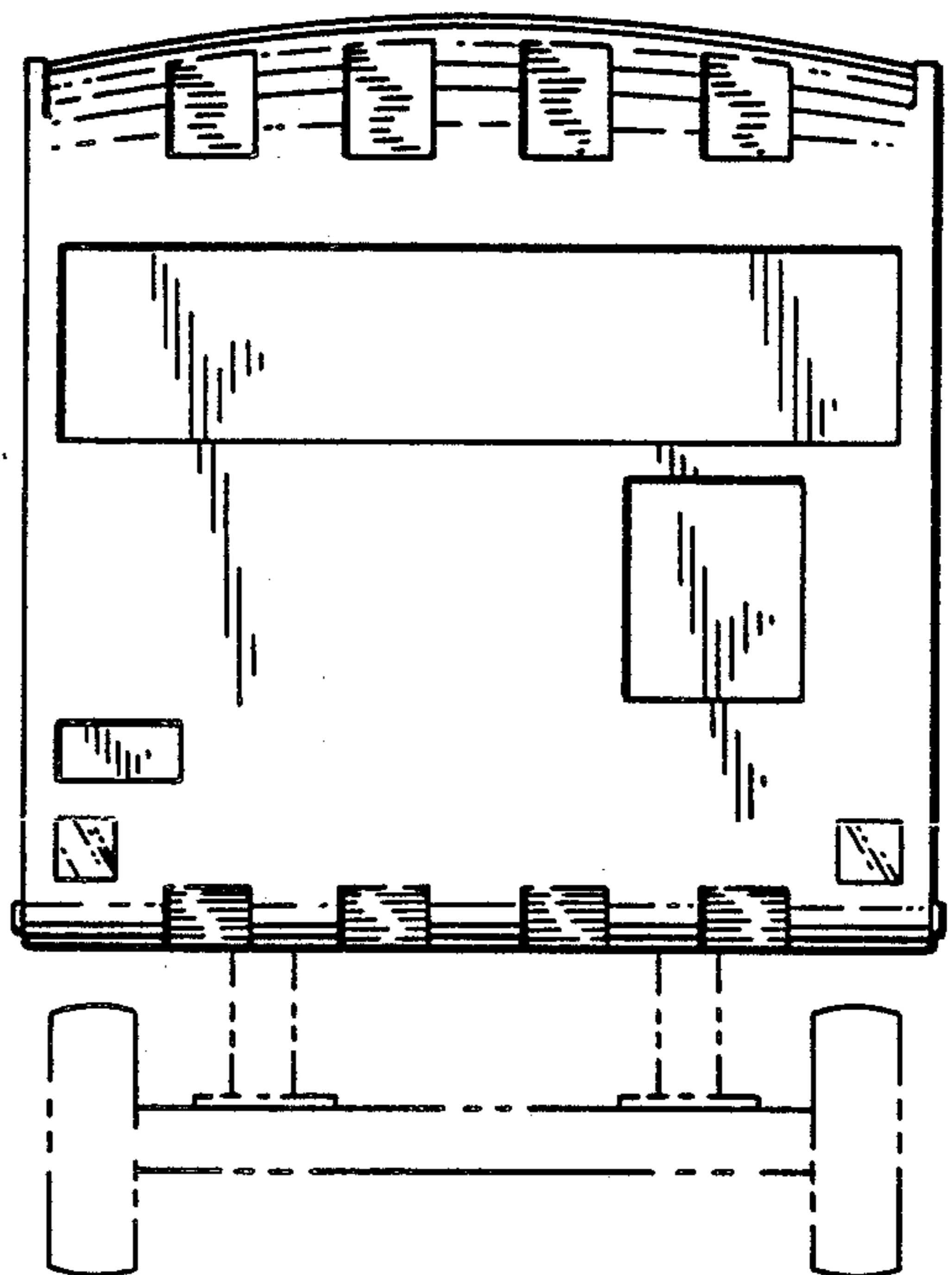


FIG. 3

FIG. 4

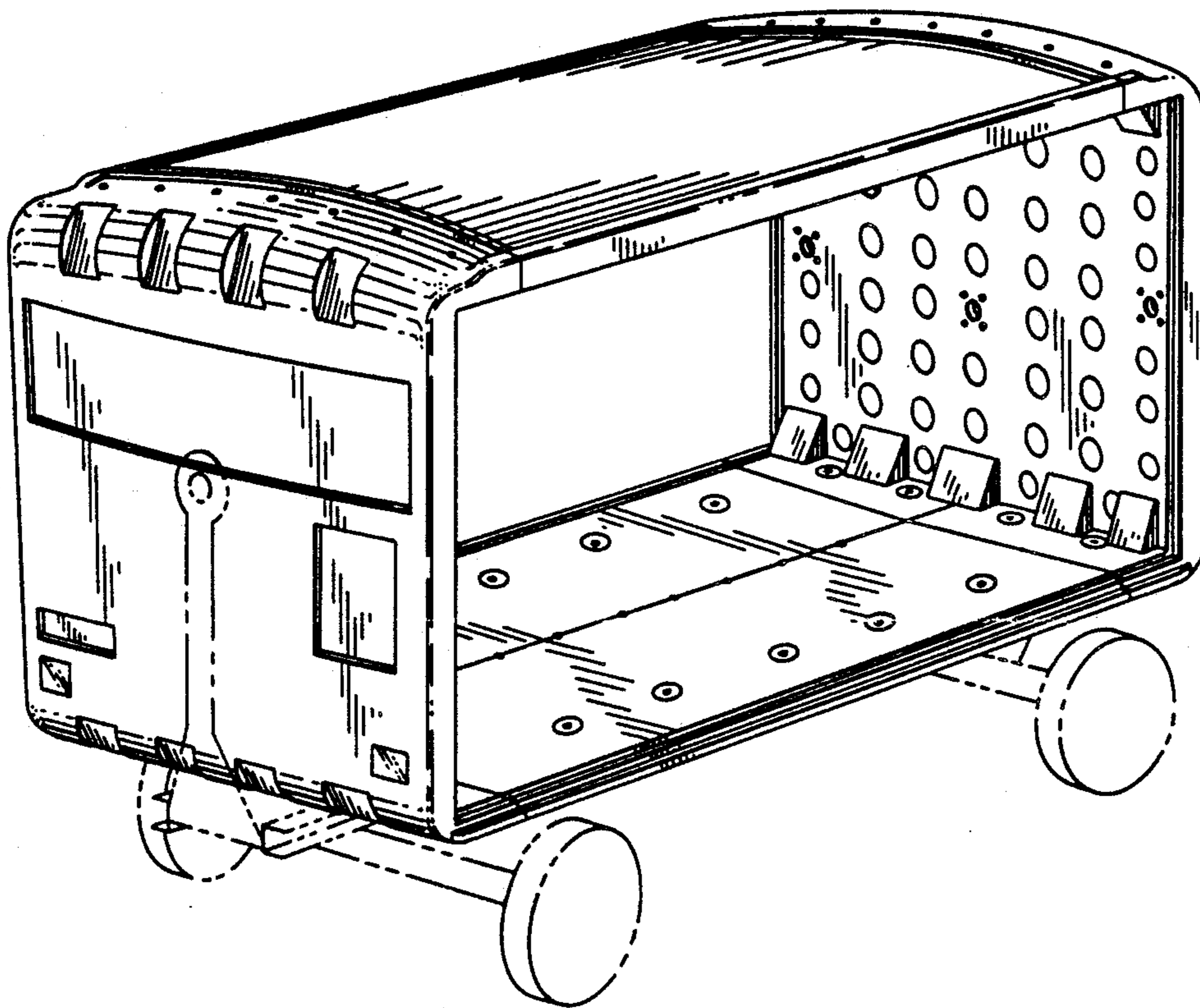
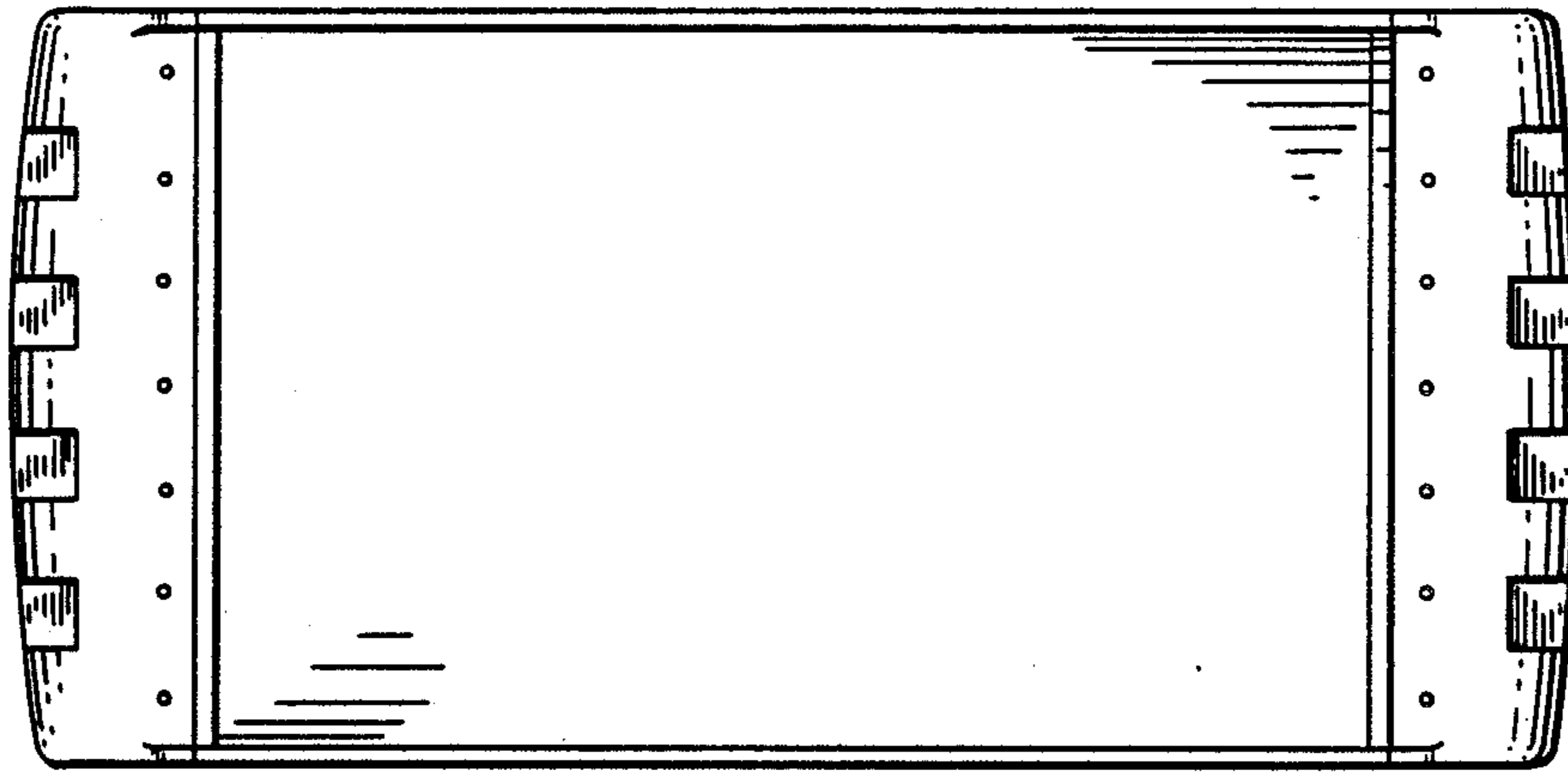


FIG. 5

FIG. 6

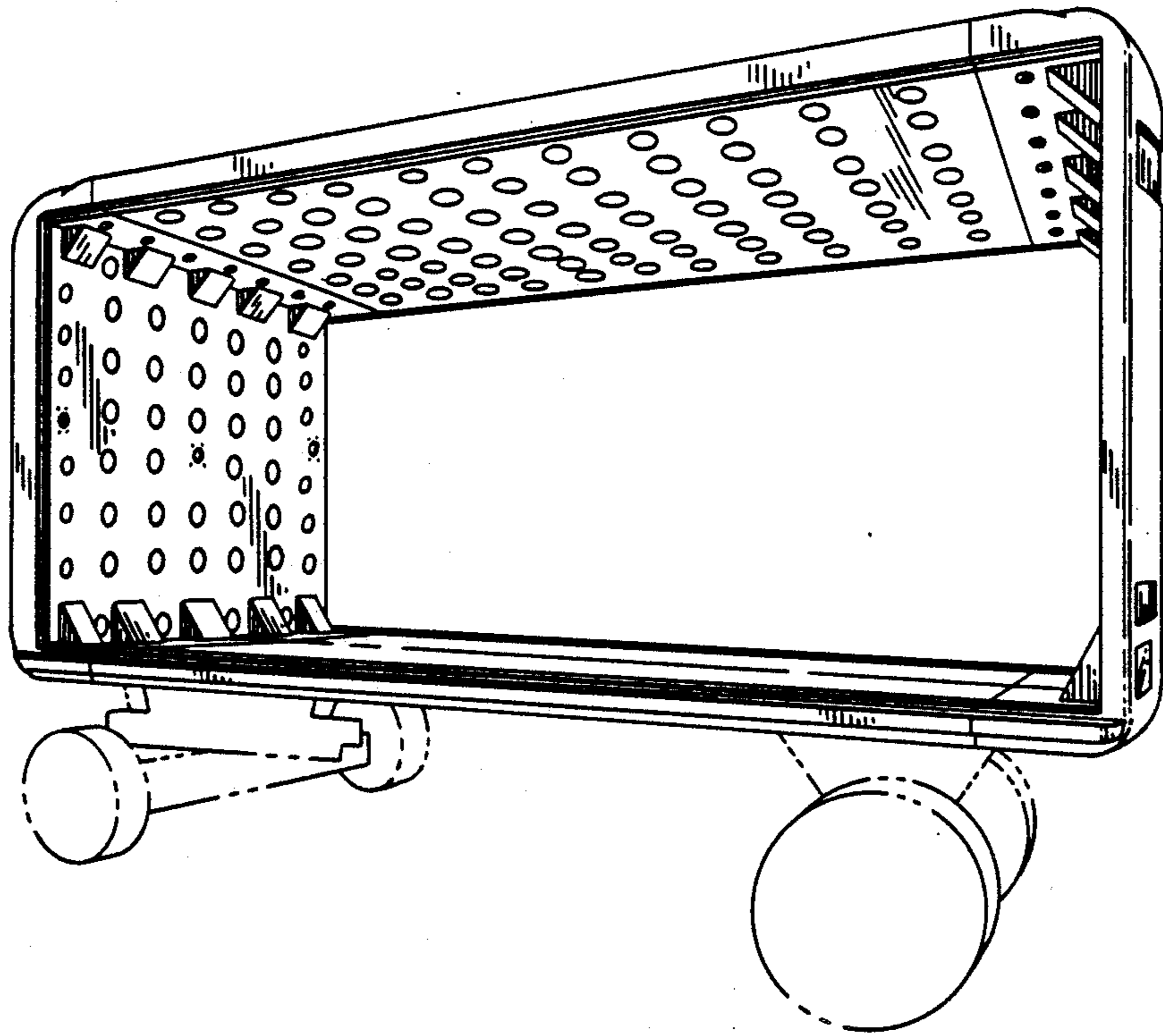


FIG. 7

