

[54] **CLOTHES HAMPER**

[76] **Inventor: Mark P. Elliott, 5118 Lansdowne Dr., Solon, Ohio 44139**

[**] **Term: 14 Years**

[21] **Appl. No.: 112,525**

[22] **Filed: Oct. 26, 1987**

[52] **U.S. Cl. D32/37**

[58] **Field of Search D32/36-37;
D34/1, 4; D21/200-202; 220/1 T, 401; 232/1
R, 1 B; 273/1.5 R, 1.5 A, 400**

[56] **References Cited**

U.S. PATENT DOCUMENTS

D. 52,158	7/1918	Derry	D34/1
D. 216,722	3/1970	Minnette	D21/201
1,522,957	1/1925	Kennedy	273/1.5 R
3,244,420	5/1966	Poynter	D21/201 X

Primary Examiner—Wallace R. Burke
Assistant Examiner—Lavone D. Tabor

Attorney, Agent, or Firm—Pearne, Gordon, McCoy & Granger

[57] **CLAIM**

The ornamental design for a clothes hamper, as shown and described.

DESCRIPTION

FIG. 1 is a front elevational view of a clothes hamper showing my new design, shown with the lid in opened condition;

FIG. 2 is a side elevational view, the opposite side being a mirror image thereof;

FIG. 3 is a rear elevational view thereof;

FIG. 4 is a rear elevational view thereof, shown with the lid in closed condition;

FIG. 5 is a front elevational view thereof;

FIG. 6 is a side elevational view thereof;

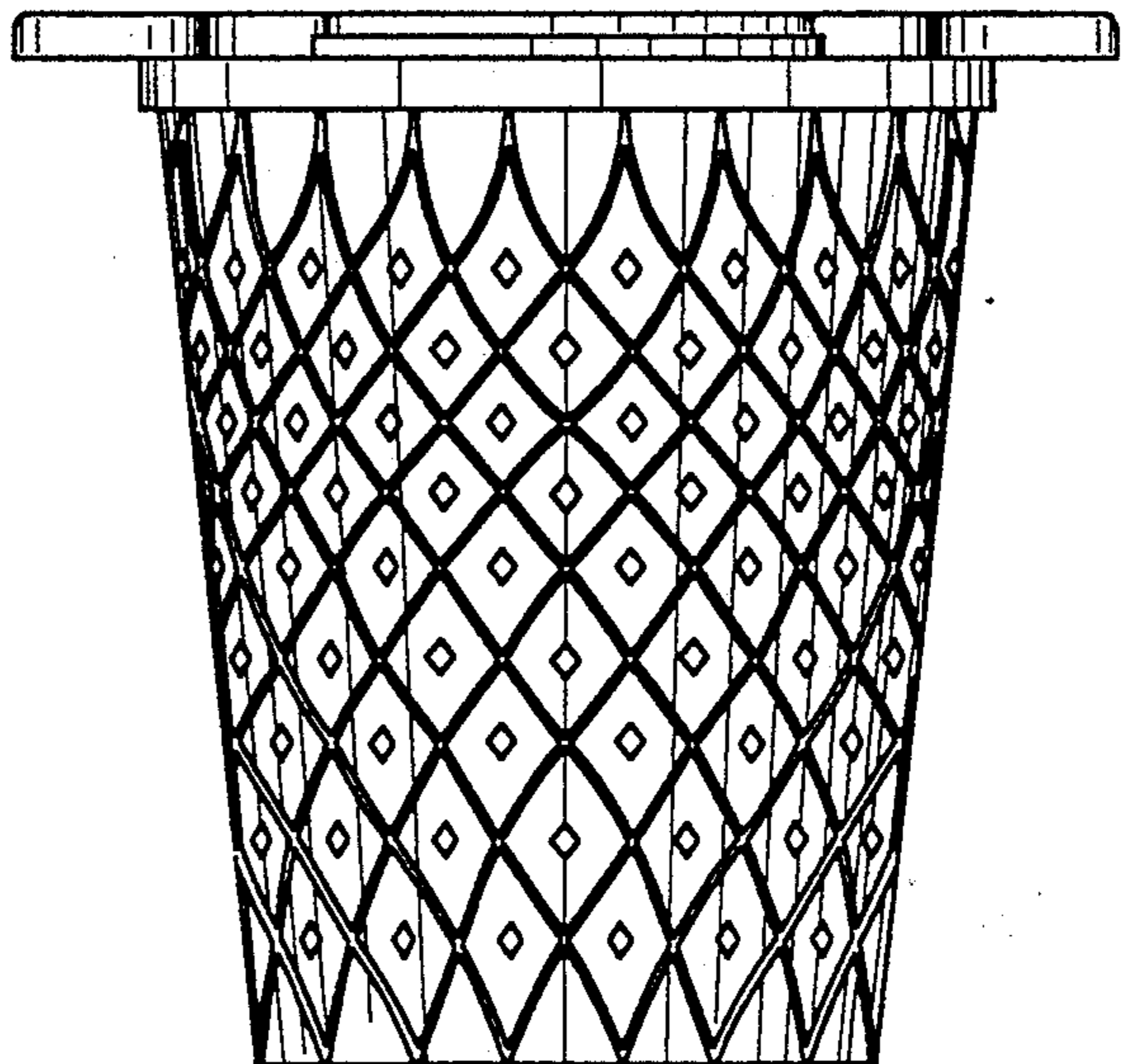
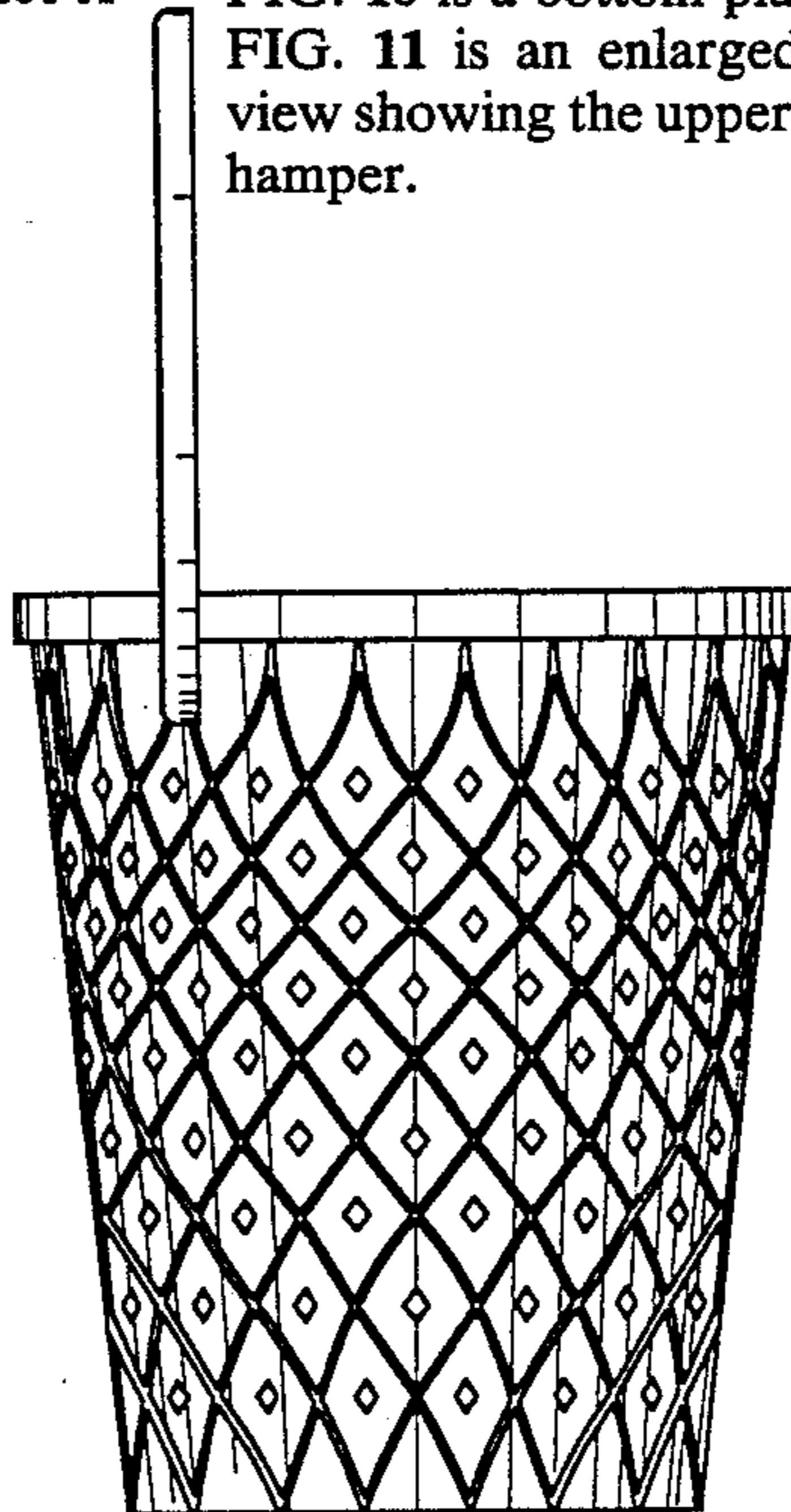
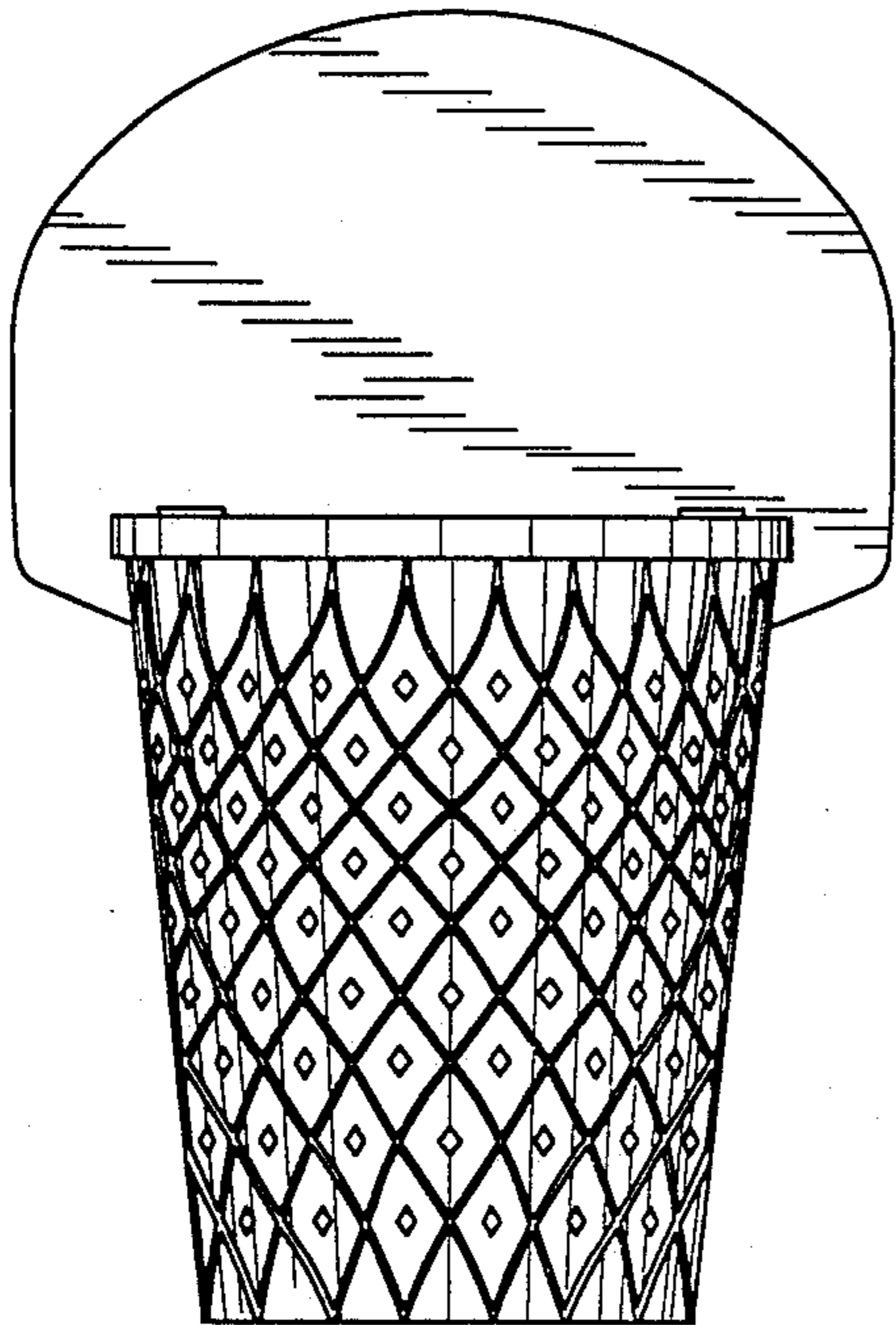
FIG. 7 is a top plan view of the hamper of FIG. 1;

FIG. 8 is a bottom plan view thereof;

FIG. 9 is a top plan view of the hamper of FIG. 4;

FIG. 10 is a bottom plan view thereof; and

FIG. 11 is an enlarged, fragmentary side elevational view showing the upper part of the basket portion of the hamper.



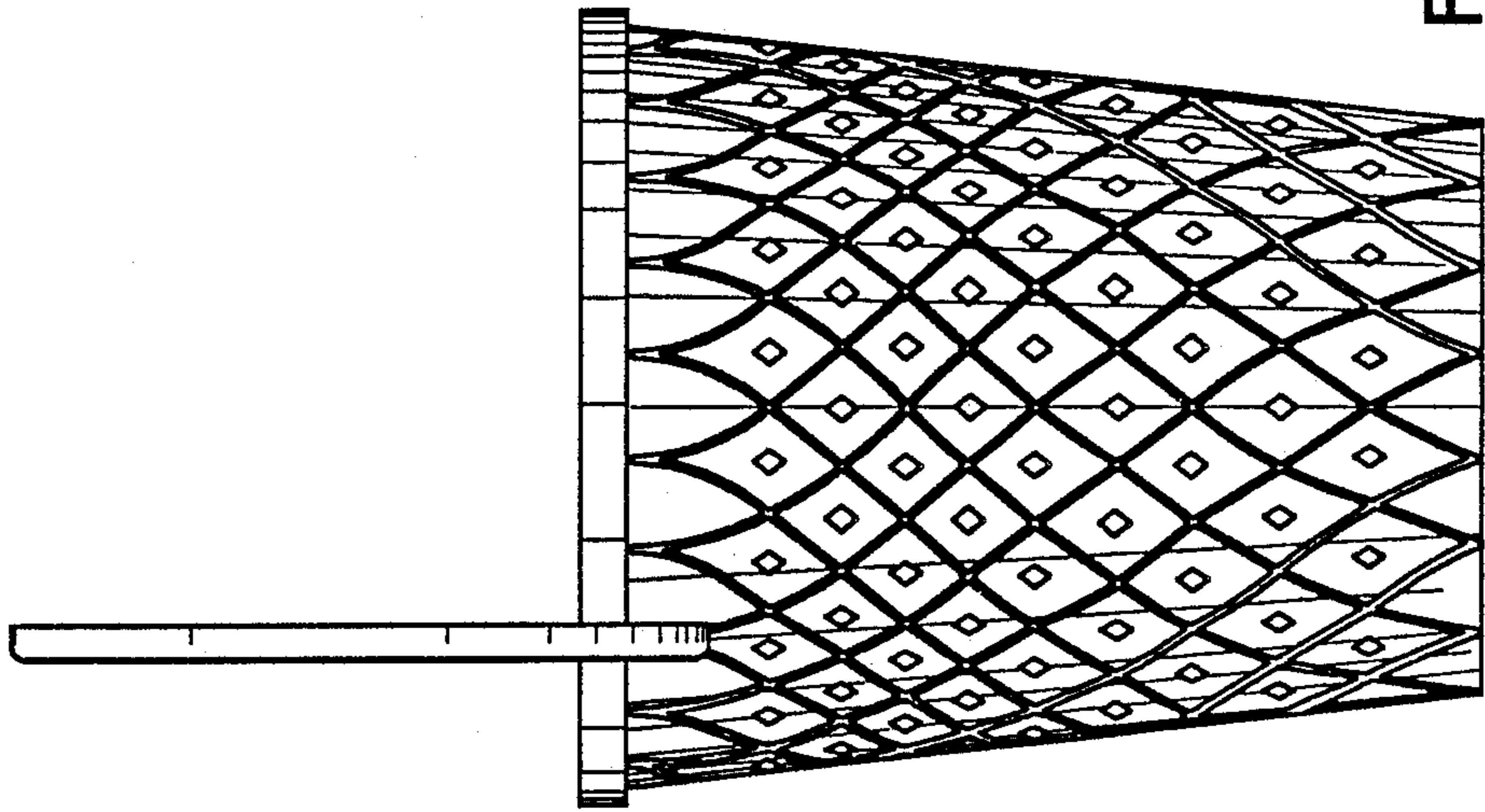


FIG. 2

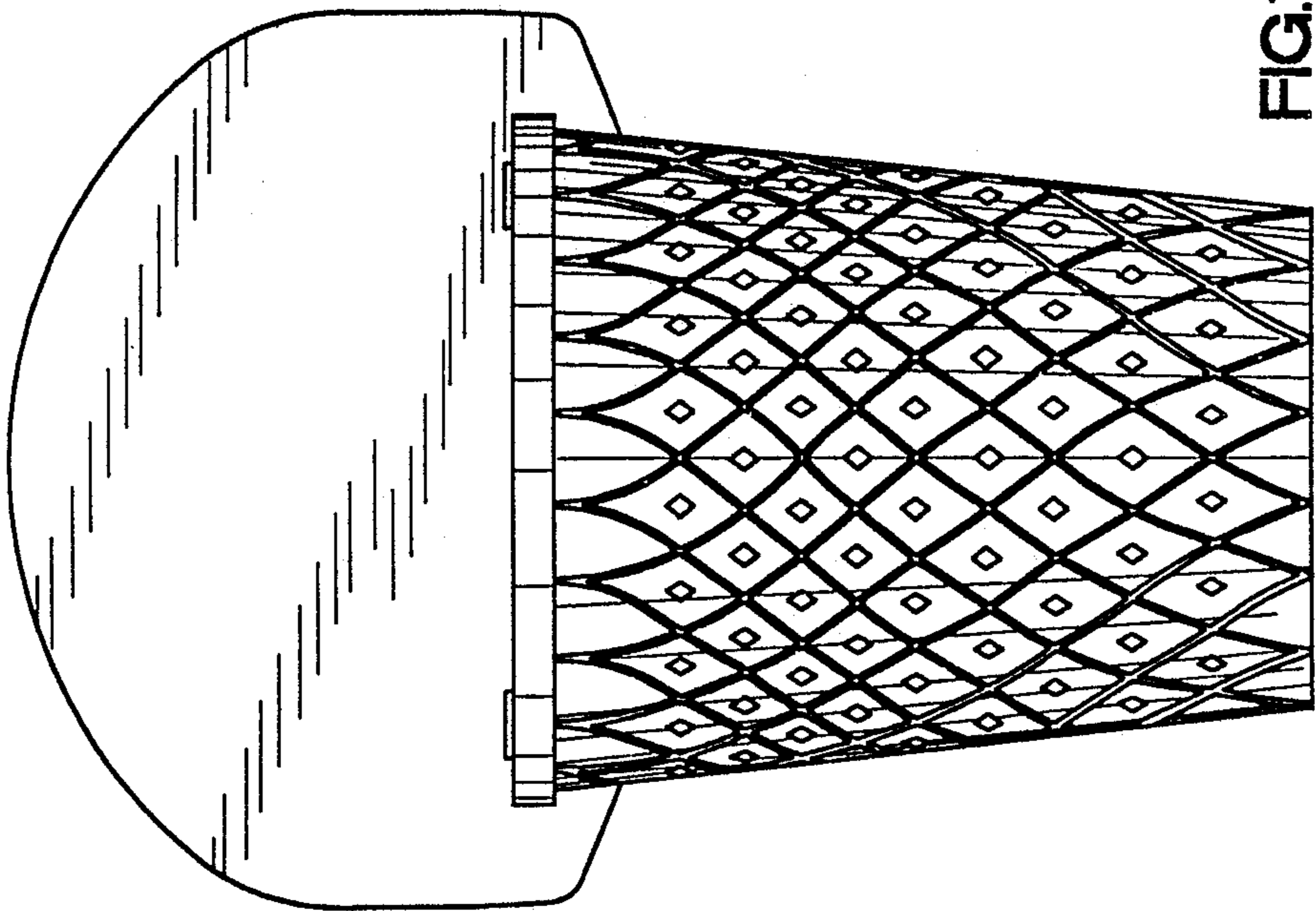


FIG. 1

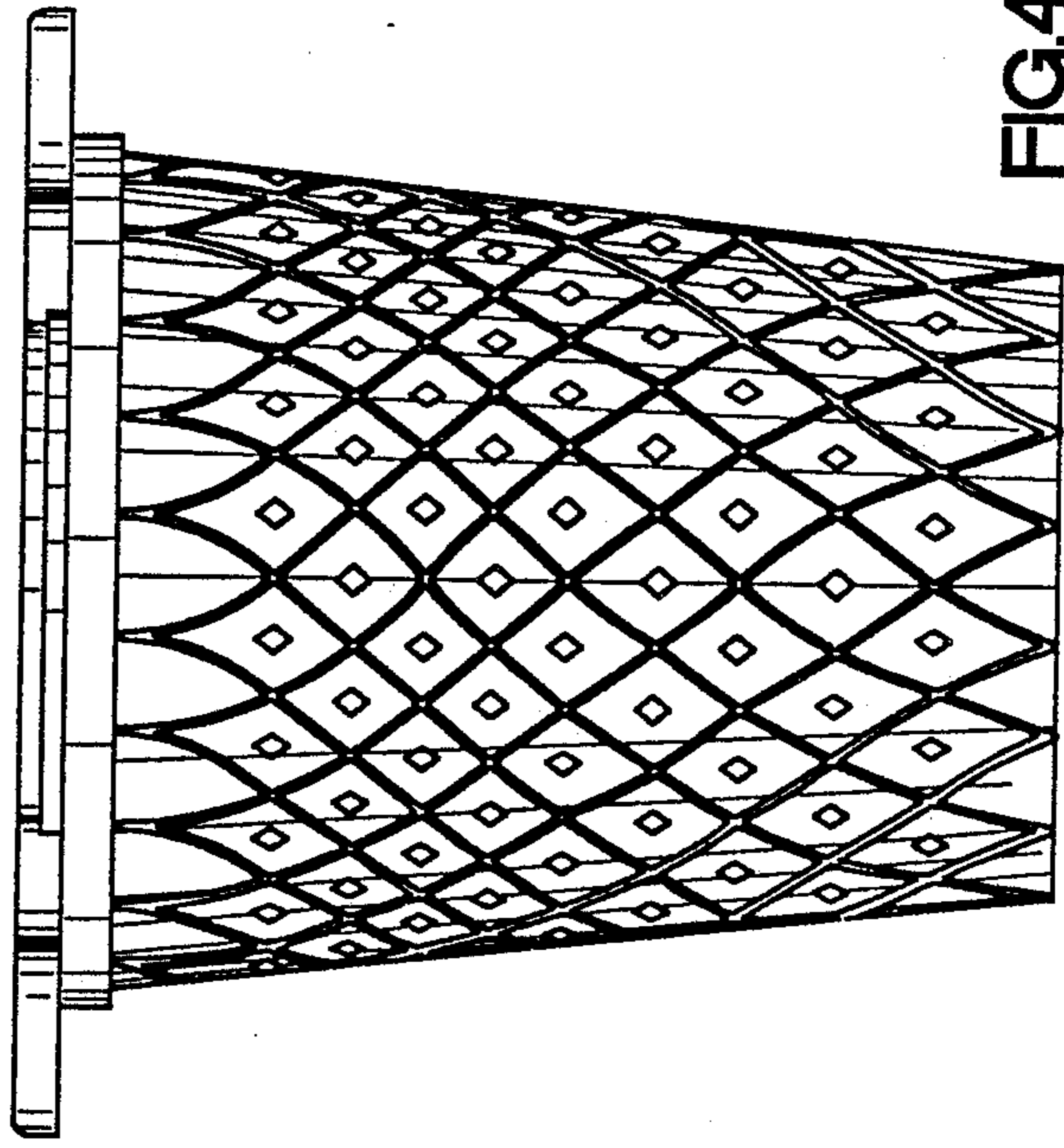


FIG. 4

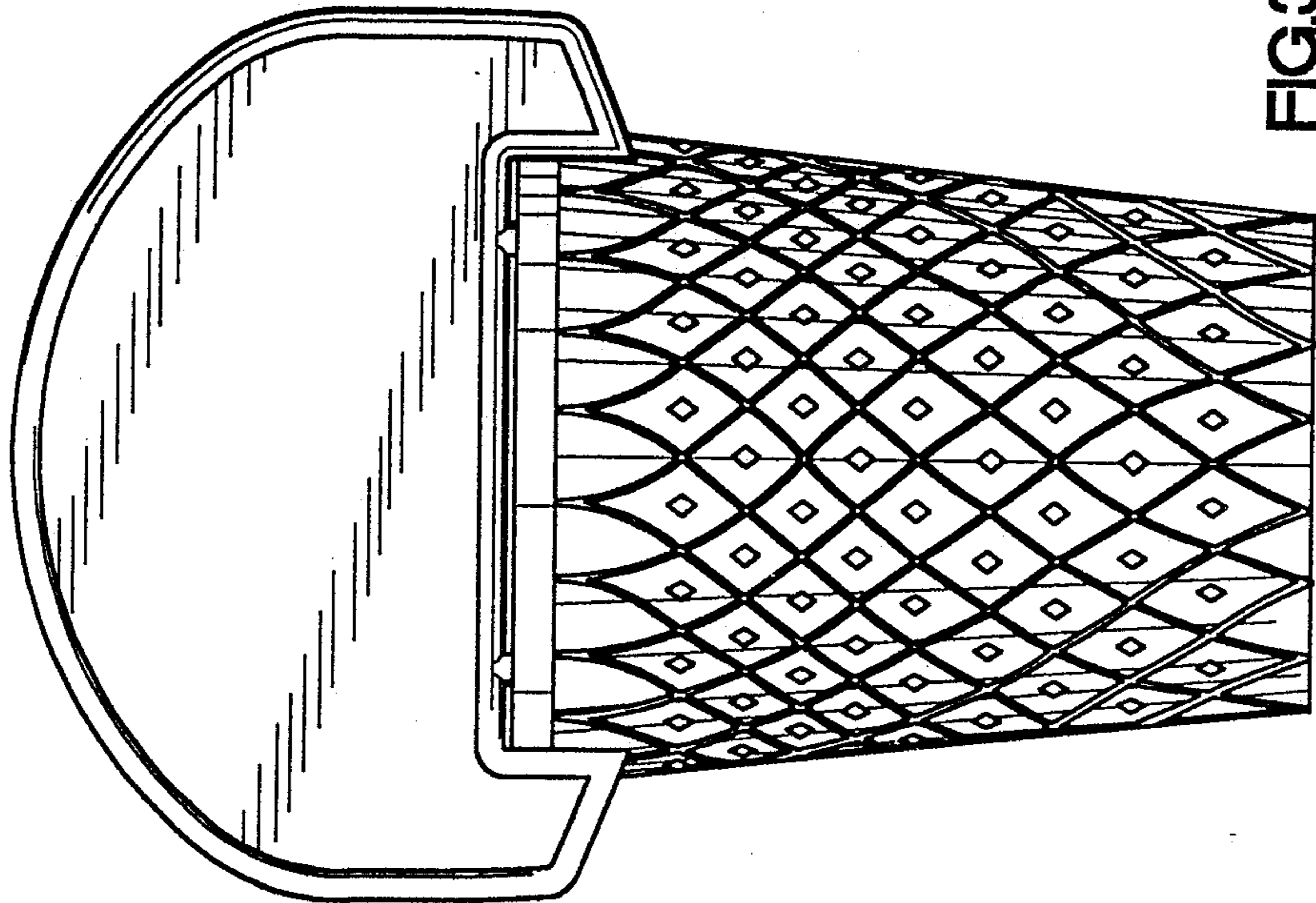


FIG. 3

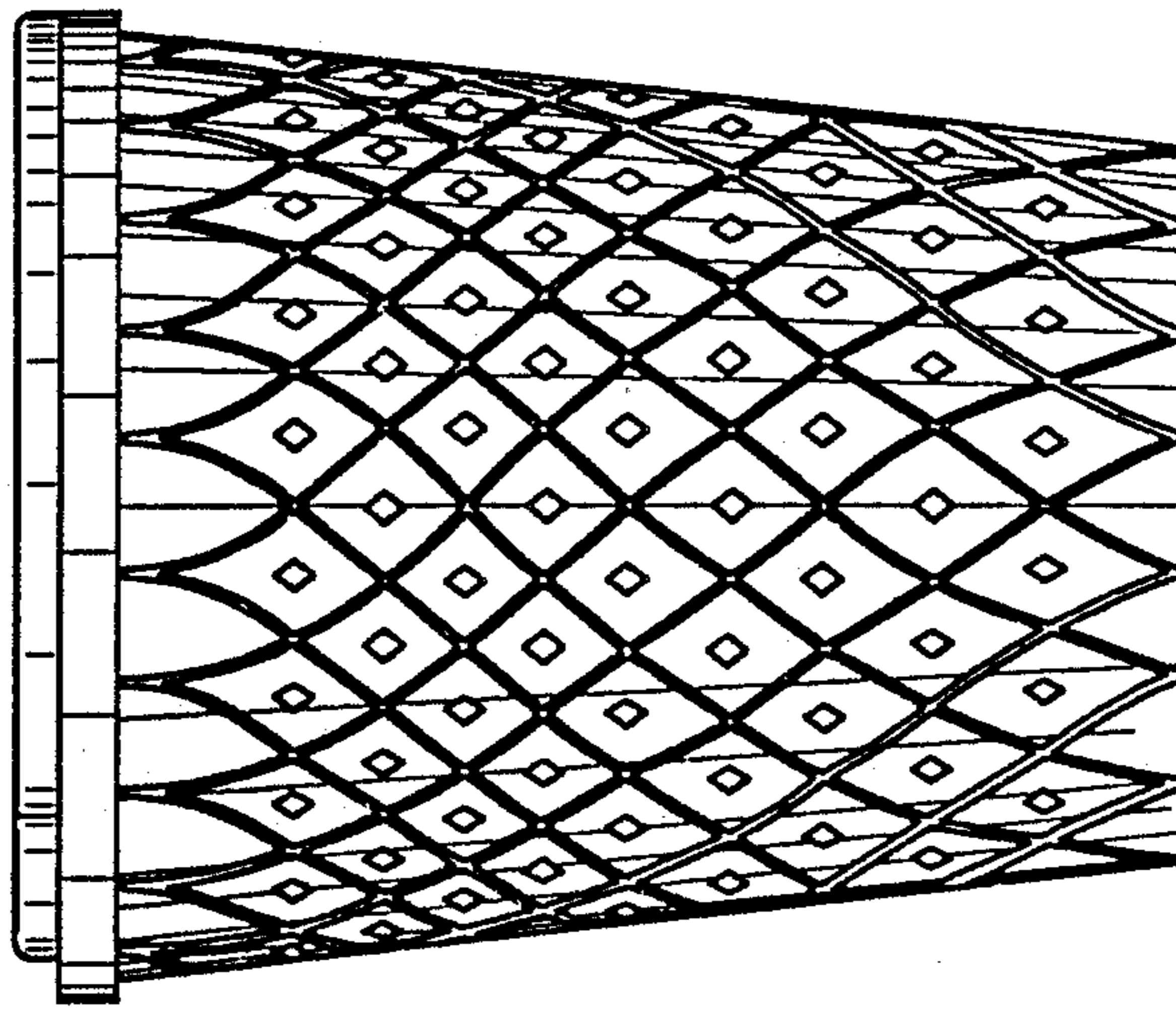


FIG.6

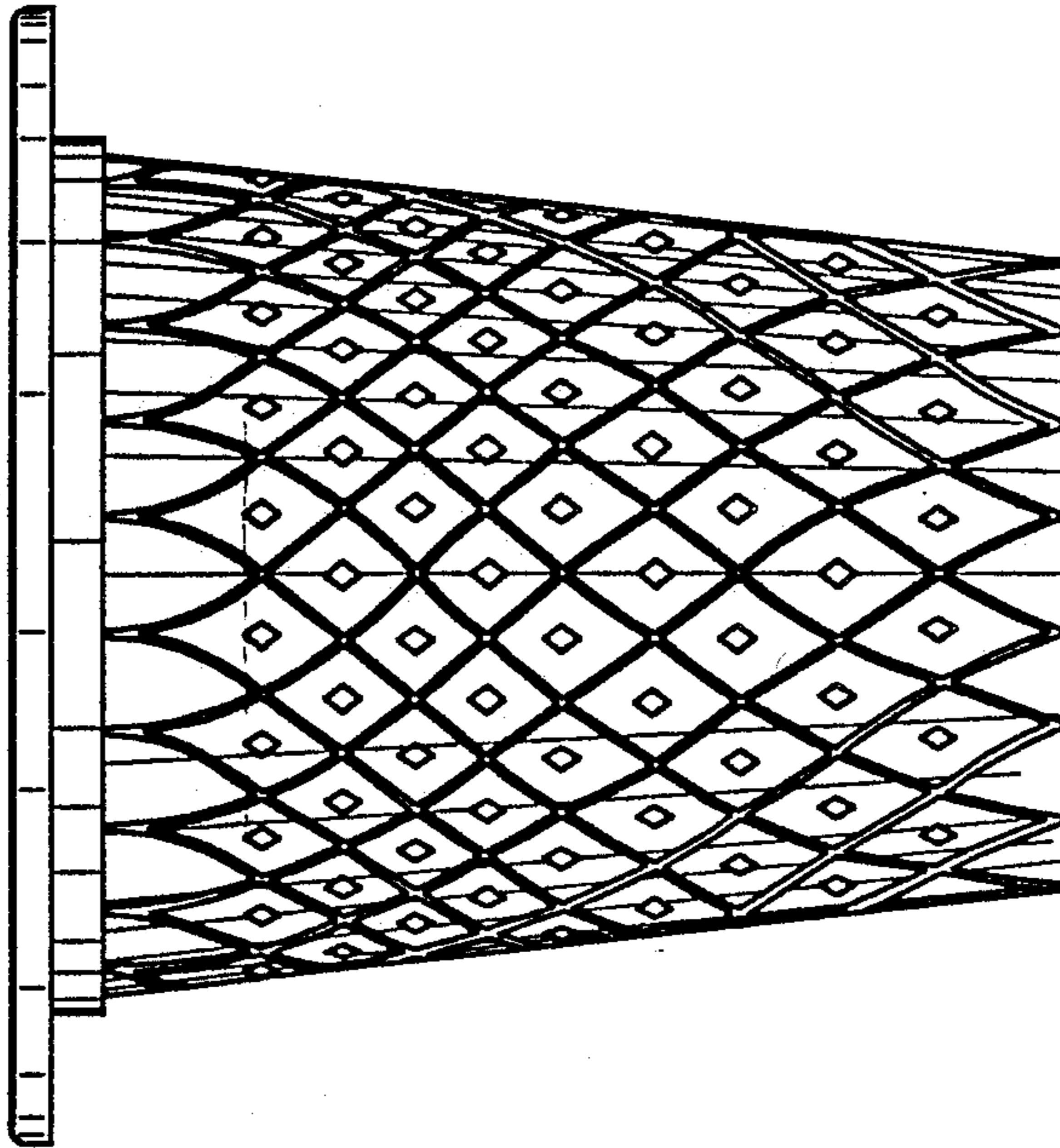


FIG.5

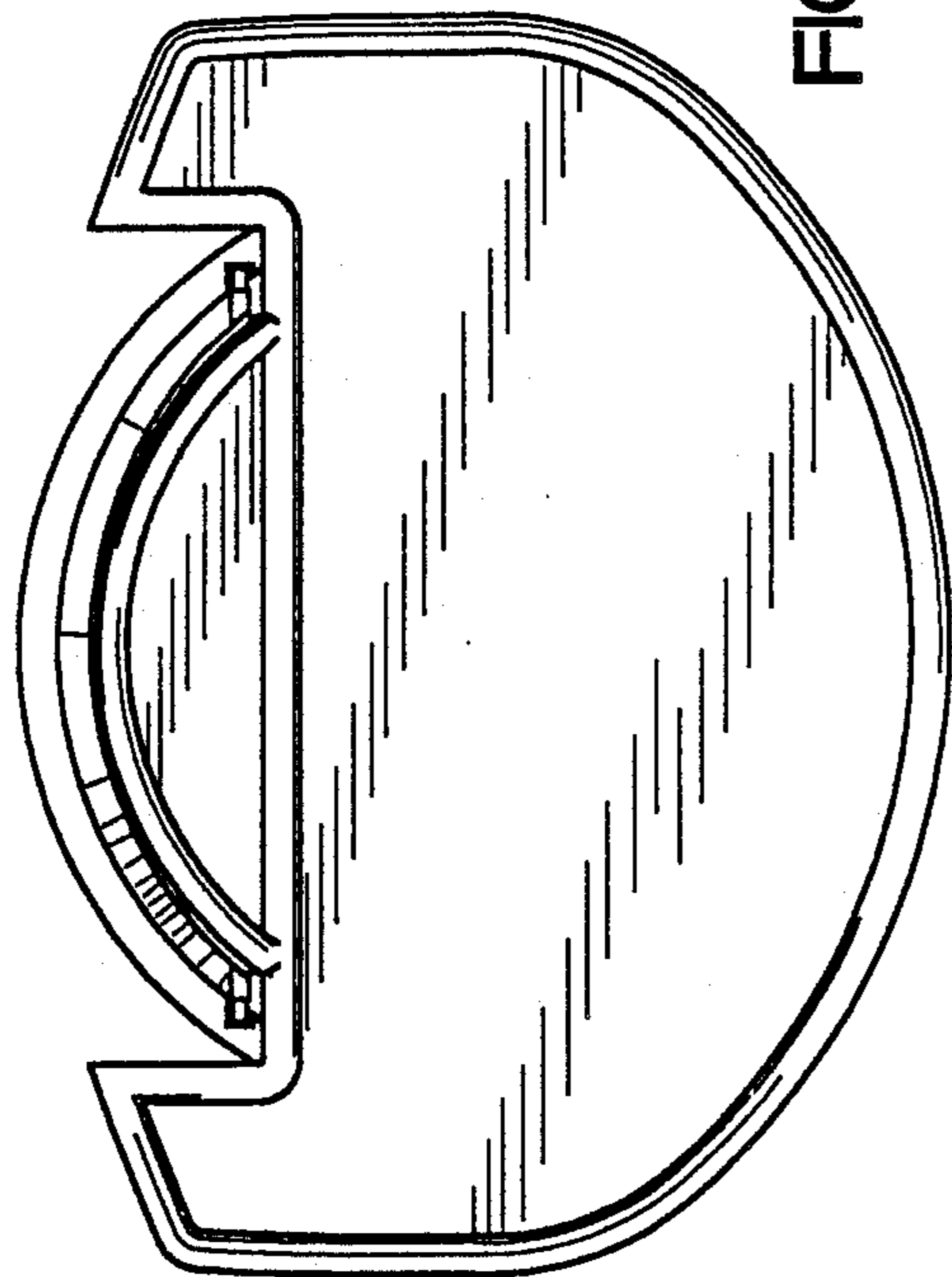


FIG. 9

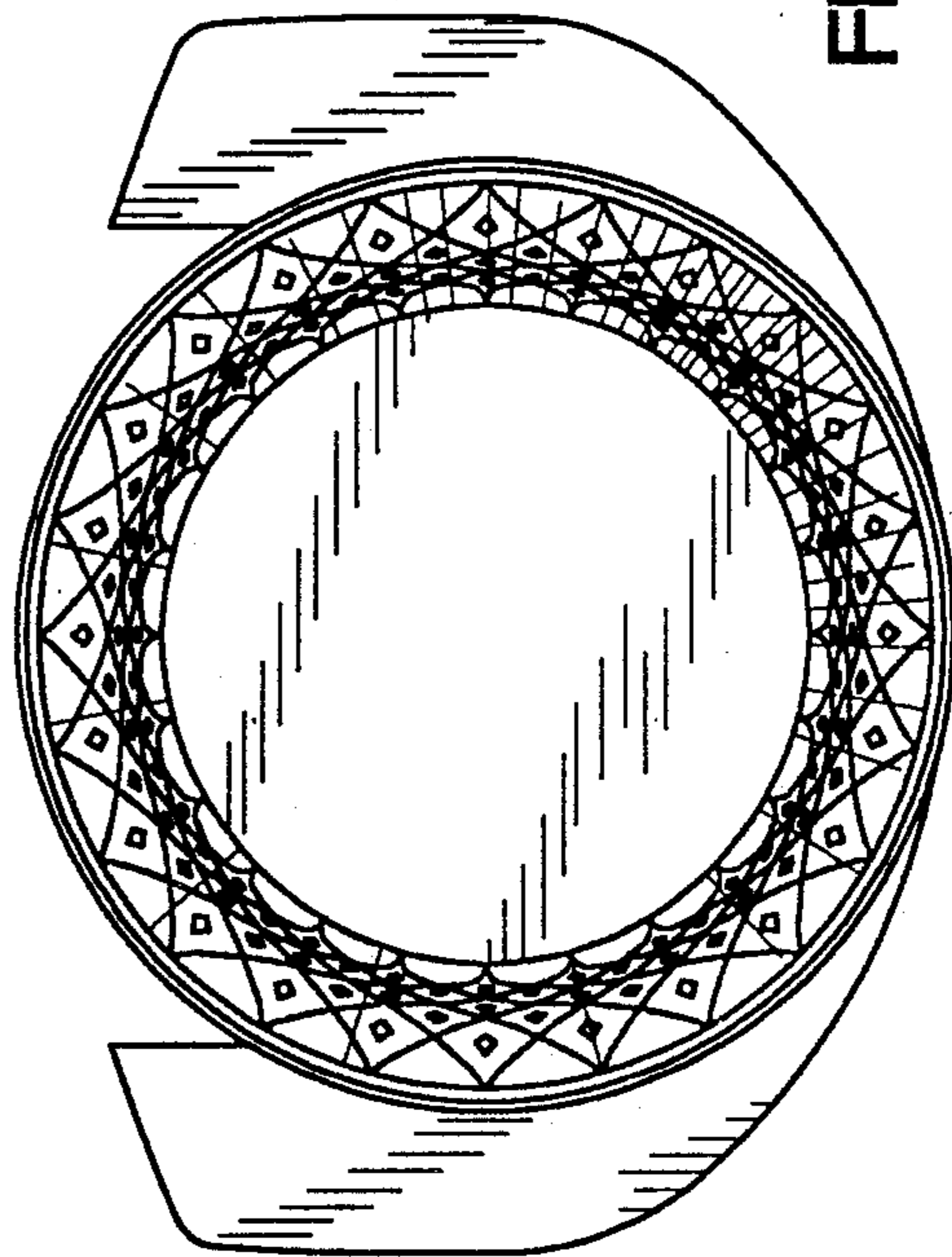


FIG. 10

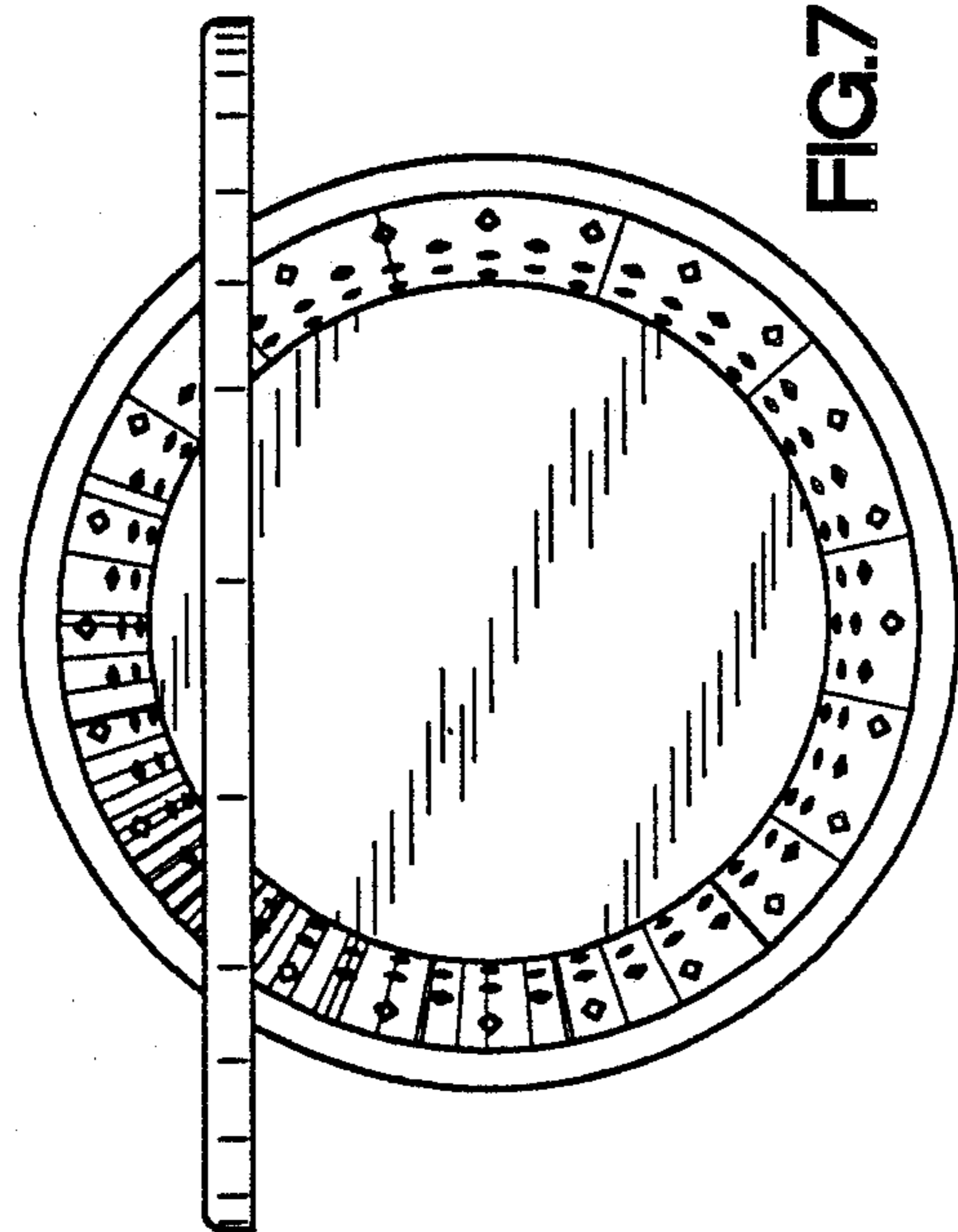


FIG. 7

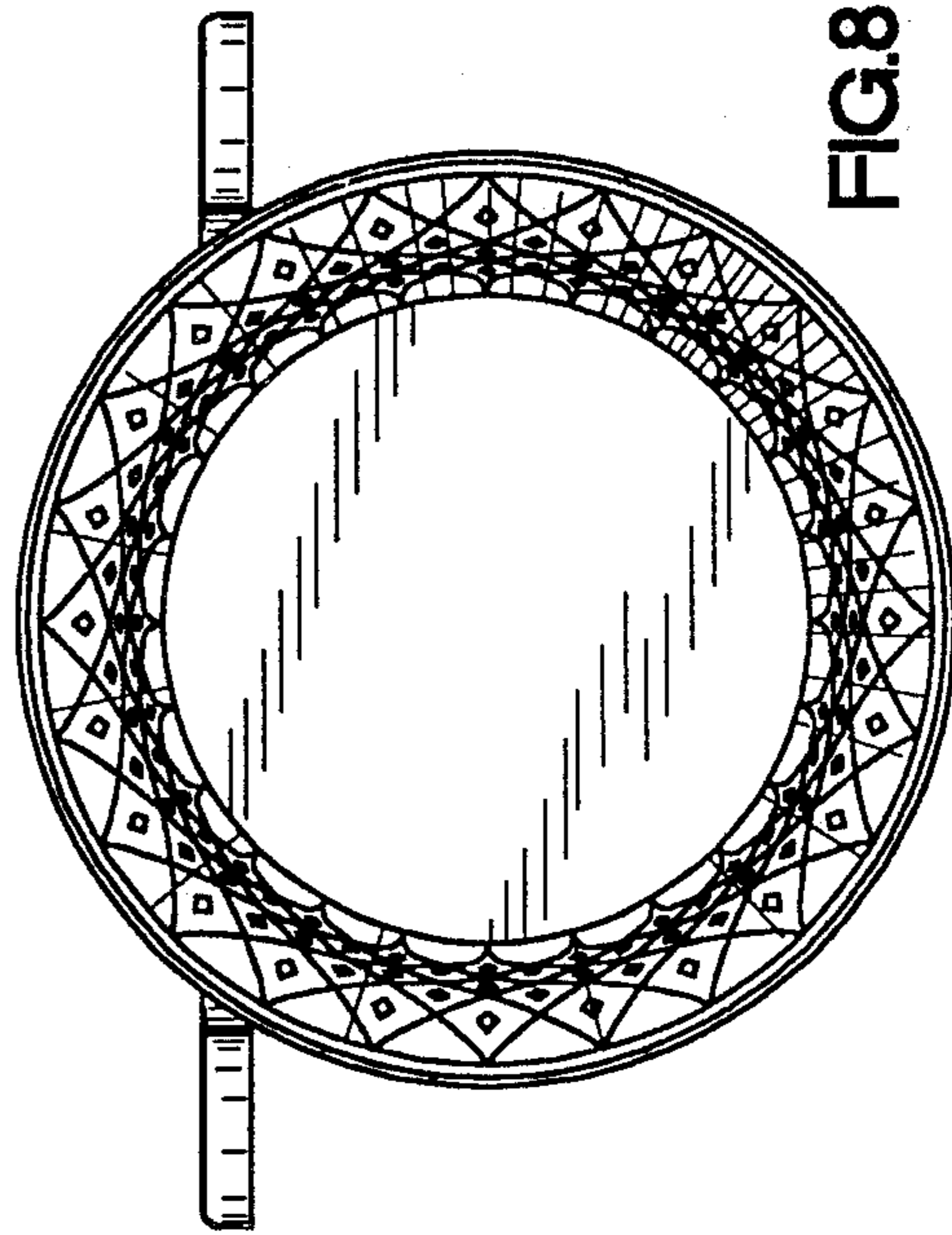


FIG. 8

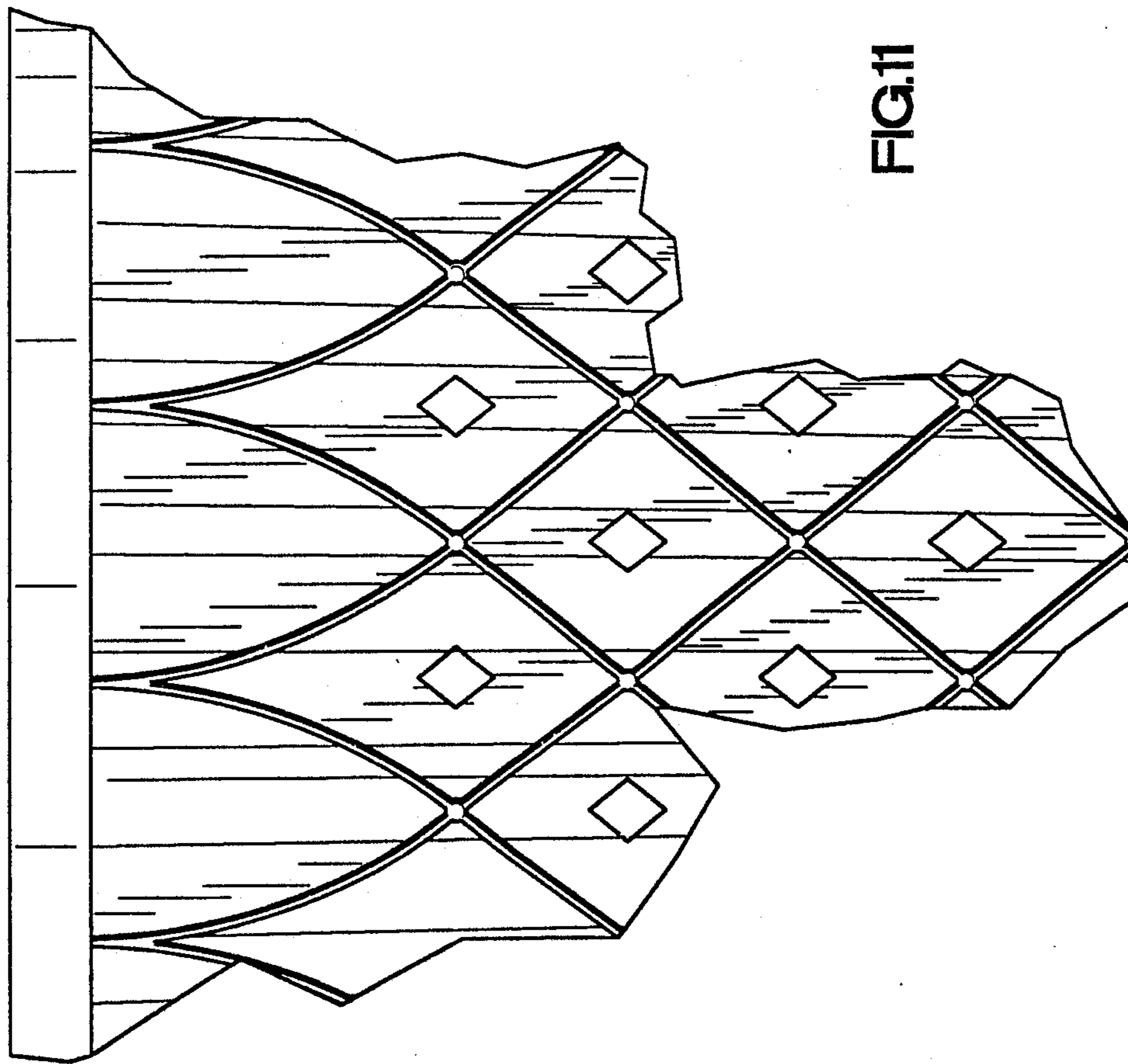


FIG.11