

[54] PORTABLE BLOWER

[75] Inventors: Robert C. Berfield, Jersey Shore; Ronald F. Meland, Muncy; Craig A. Seasholtz, Avis, all of Pa.

[73] Assignee: Shop-Vac Corporation, Williamsport, Pa.

[\*\*] Term: 14 Years

[21] Appl. No.: 66,723

[22] Filed: Jun. 25, 1987

[52] U.S. Cl. .... D32/15

[58] Field of Search ..... D32/1, 15-18, D32/25, 32; D23/383, 393; 15/404-405, 344, 414, 415 R, 415 A, 420, 330-331, 337, 335, 326, 353, 234; 417/423.2, 236

[56] References Cited

U.S. PATENT DOCUMENTS

- D. 263,547 3/1982 Carsello ..... D32/15
- D. 271,715 12/1983 Kiyooka ..... D32/15
- D. 276,662 12/1984 Zerrer et al. .... D32/15
- D. 279,319 6/1985 McCloskey et al. .... D32/15
- D. 285,132 8/1986 Smith et al. .... D32/15
- D. 299,571 1/1989 Kiyooka et al. .... D32/15
- 4,797,072 1/1989 Berfield et al. .... 417/423.2

OTHER PUBLICATIONS

Weed Eater Brochure, "Weed Eater Blowers".

Primary Examiner—Bruce W. Dunkins

Assistant Examiner—Ruth Takemoto

Attorney, Agent, or Firm—Ostrolenk, Faber, Gerb & Soffen

[57] CLAIM

The ornamental design for a portable blower, as shown and described.

DESCRIPTION

FIG. 1 is a top perspective view of a portable blower showing our new design;  
 FIG. 2 is a bottom perspective view thereof;  
 FIG. 3 is a front elevational view thereof;  
 FIG. 4 is a rear elevational view thereof;  
 FIG. 5 is a side elevational view thereof, the opposite side being a mirror image;  
 FIG. 6 is a top plan view thereof;  
 FIG. 7 is a bottom plan view thereof;  
 FIG. 8 is a top perspective view of a second embodiment thereof;  
 FIG. 9 is a bottom perspective view thereof;  
 FIG. 10 is a front elevational view thereof;  
 FIG. 11 is a rear elevational view thereof;  
 FIG. 12 is a side elevational view thereof, the opposite side being a mirror image;  
 FIG. 13 is a top plan view thereof;  
 FIG. 14 is a bottom plan view thereof;  
 FIG. 15 is a top perspective view of a third embodiment thereof;  
 FIG. 16 is a bottom perspective view thereof;  
 FIG. 17 is a front elevational view thereof;  
 FIG. 18 is a rear elevational view thereof;  
 FIG. 19 is a side elevational view thereof, the opposite side being a mirror image;  
 FIG. 20 is a top plan view thereof;  
 FIG. 21 is a bottom plan view thereof;  
 FIG. 22 is a bottom perspective view thereof;  
 FIG. 23 is a top plan perspective view thereof;  
 FIG. 24 is a front elevational view thereof;  
 FIG. 25 is a rear elevational view thereof;  
 FIG. 26 is a side elevational view thereof, the opposite side being a mirror image;  
 FIG. 27 is a top plan view thereof; and  
 FIG. 28 is a bottom plan view thereof.

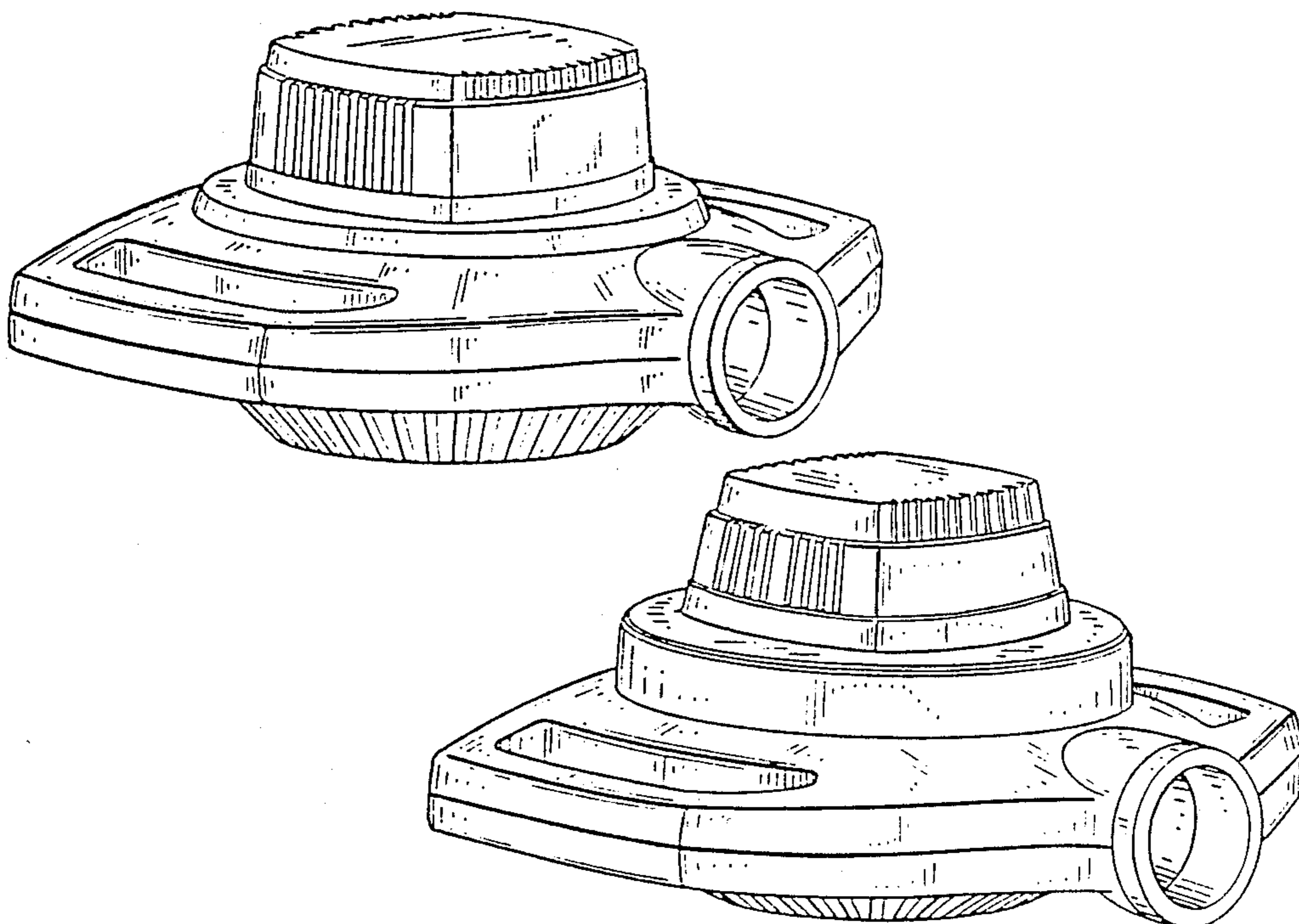


FIG. 1.

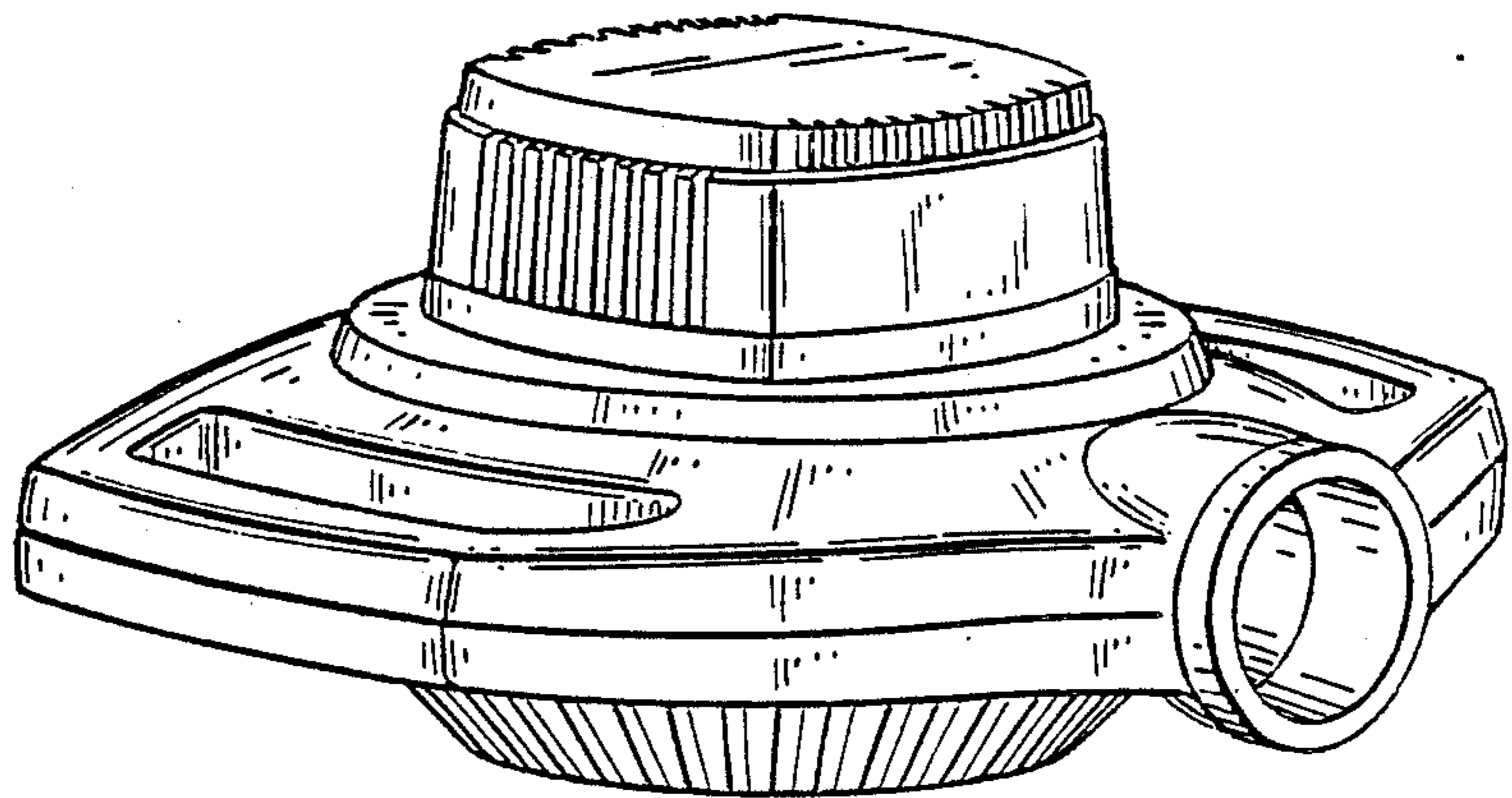


FIG. 2.

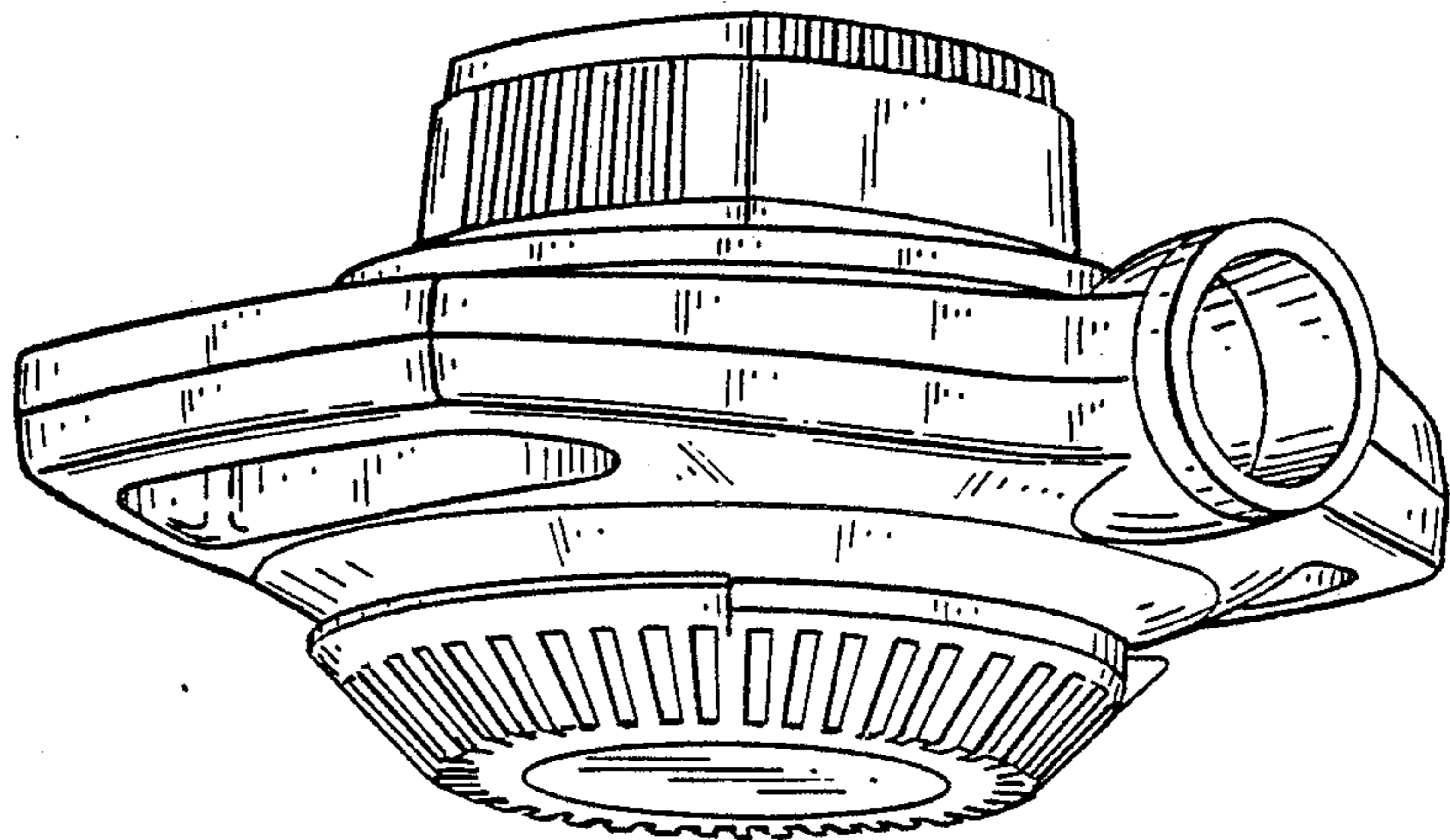


FIG. 3.

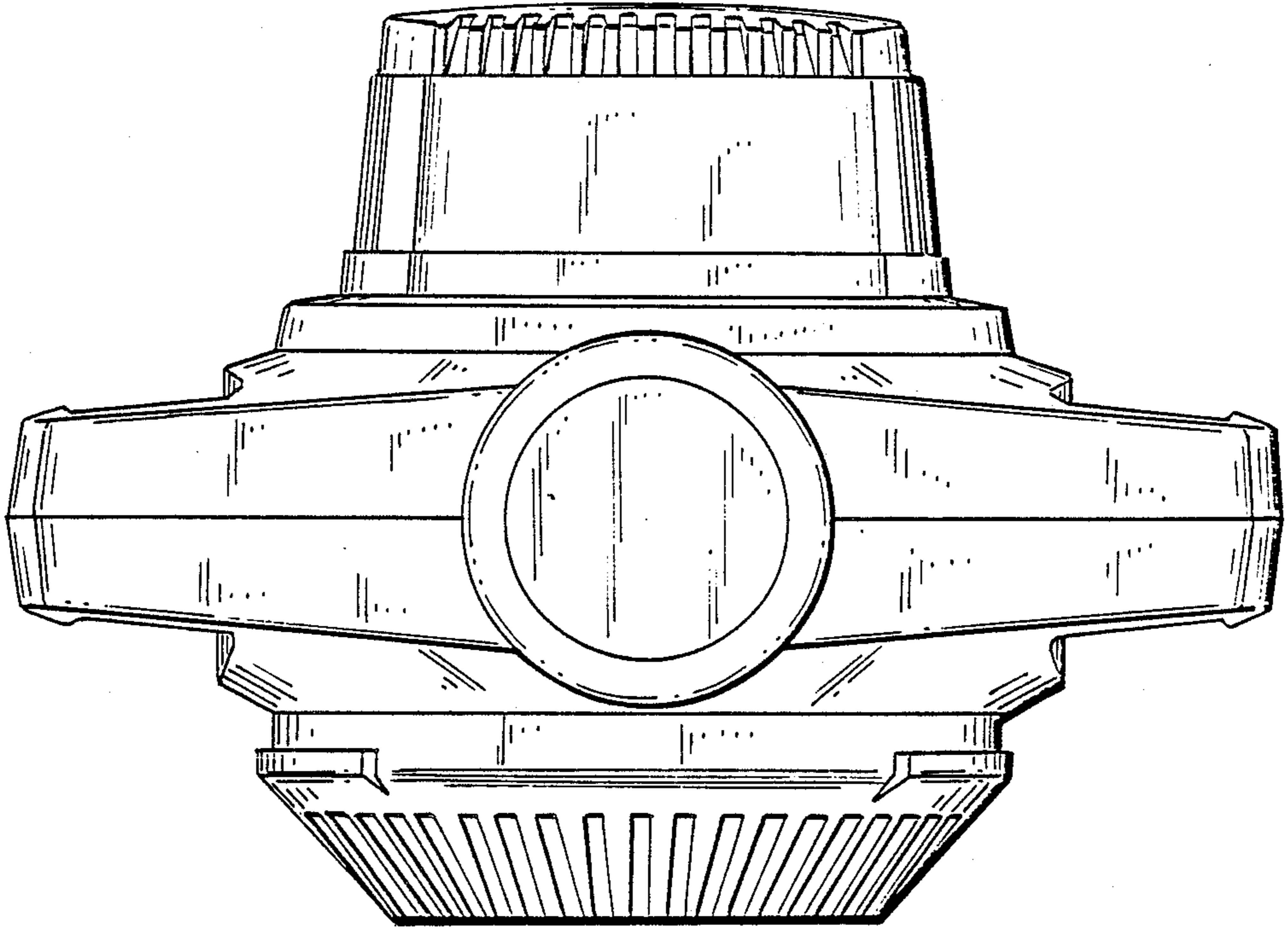


FIG. 4.

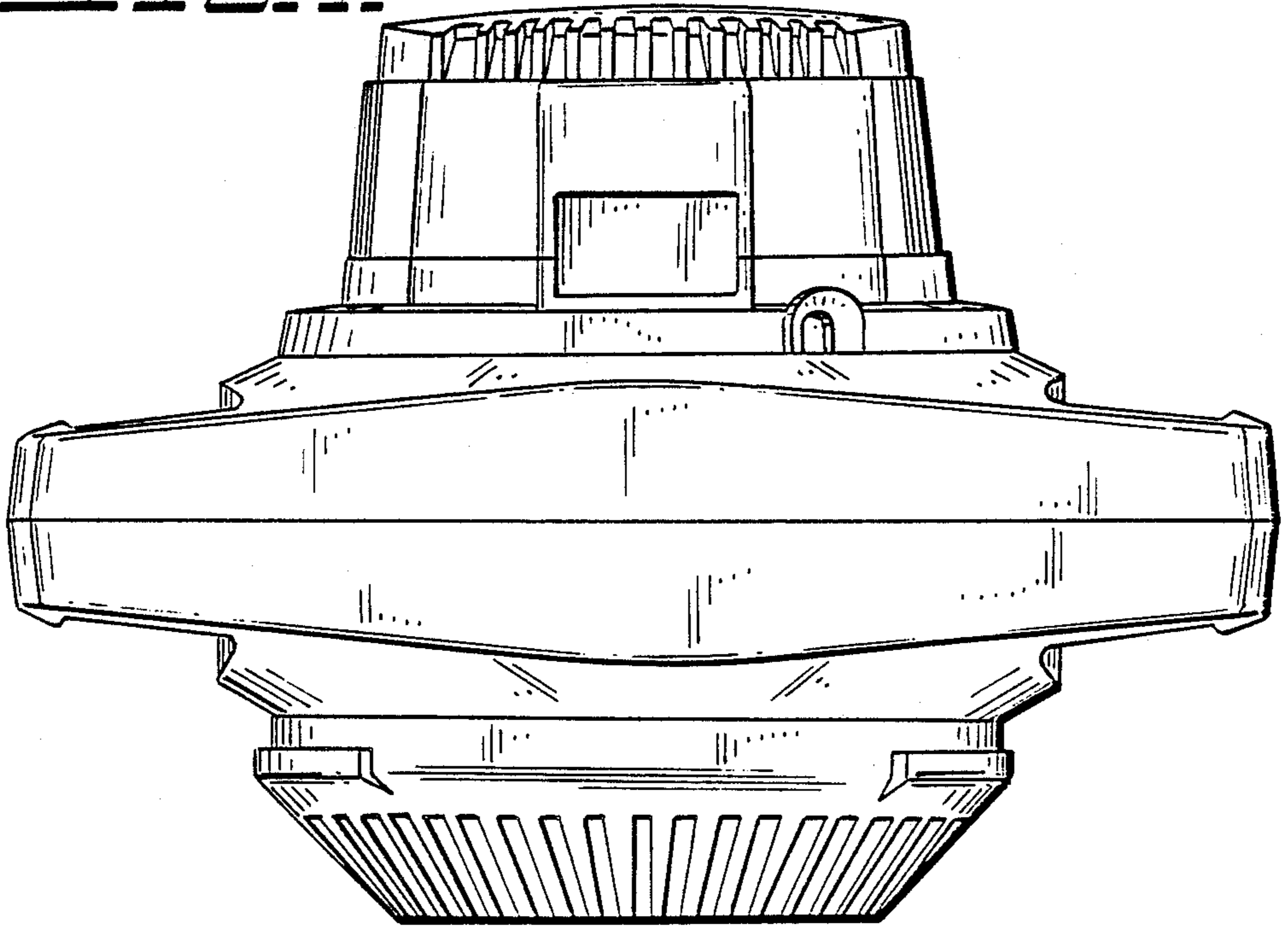


FIG. 5.

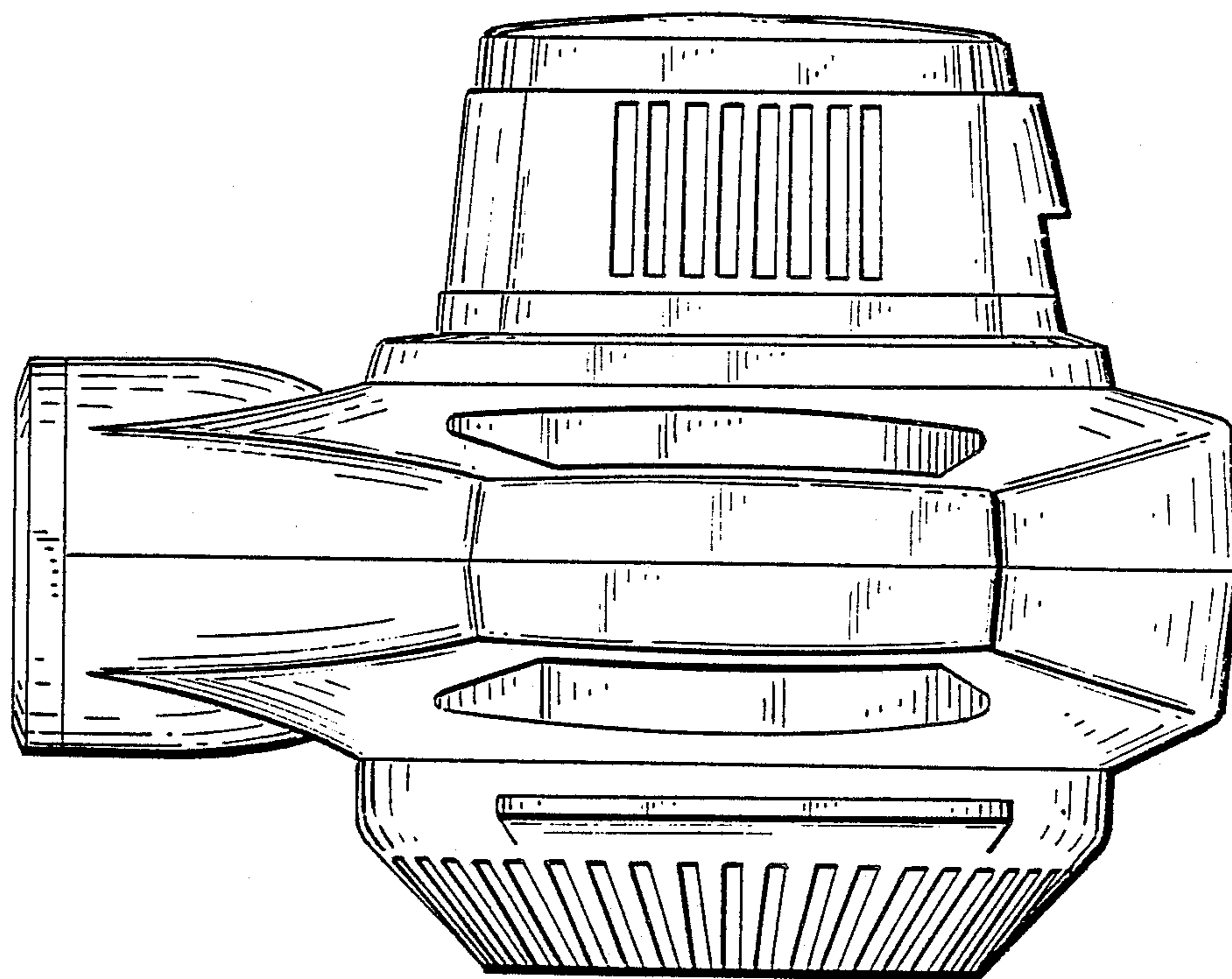
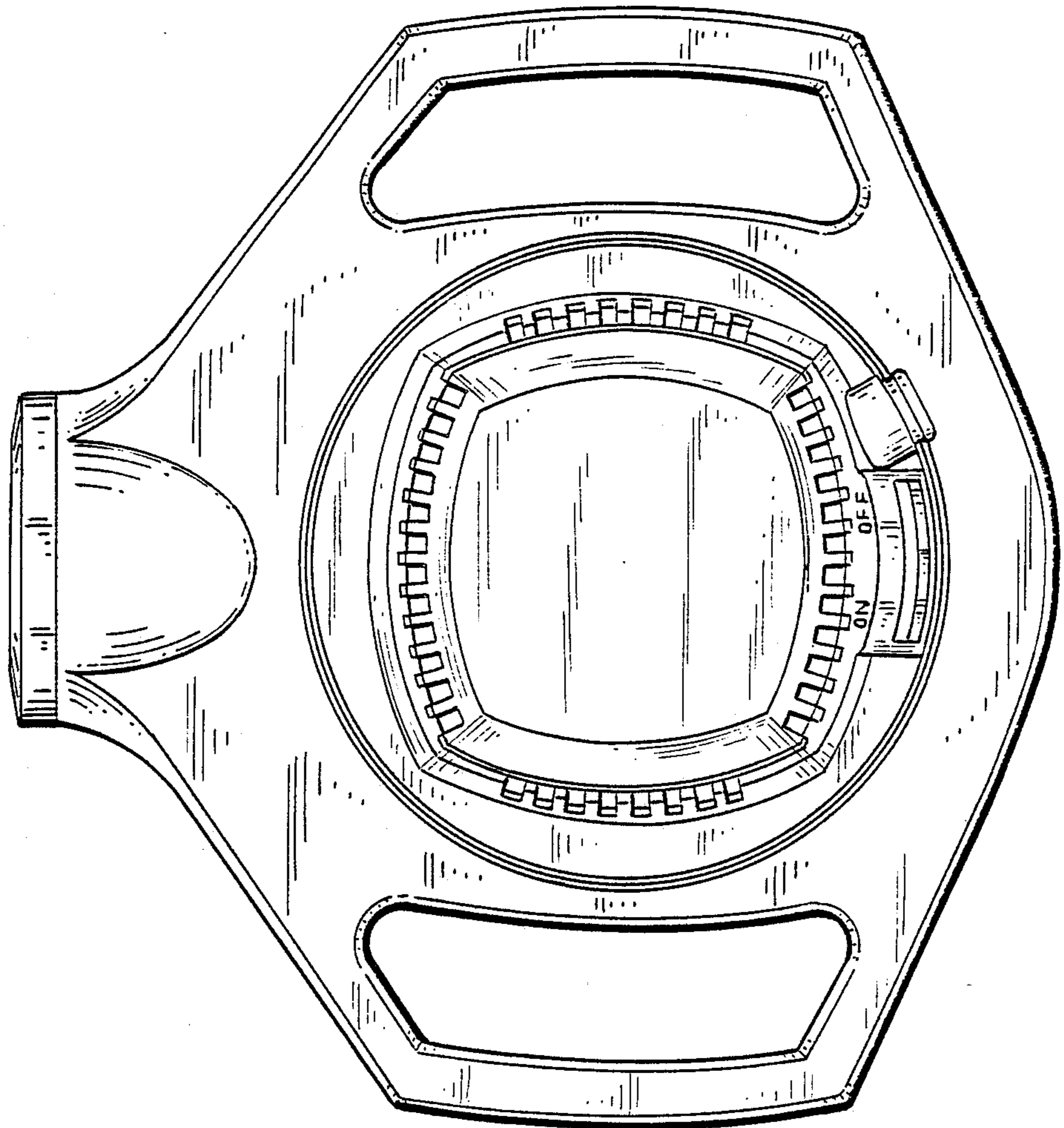
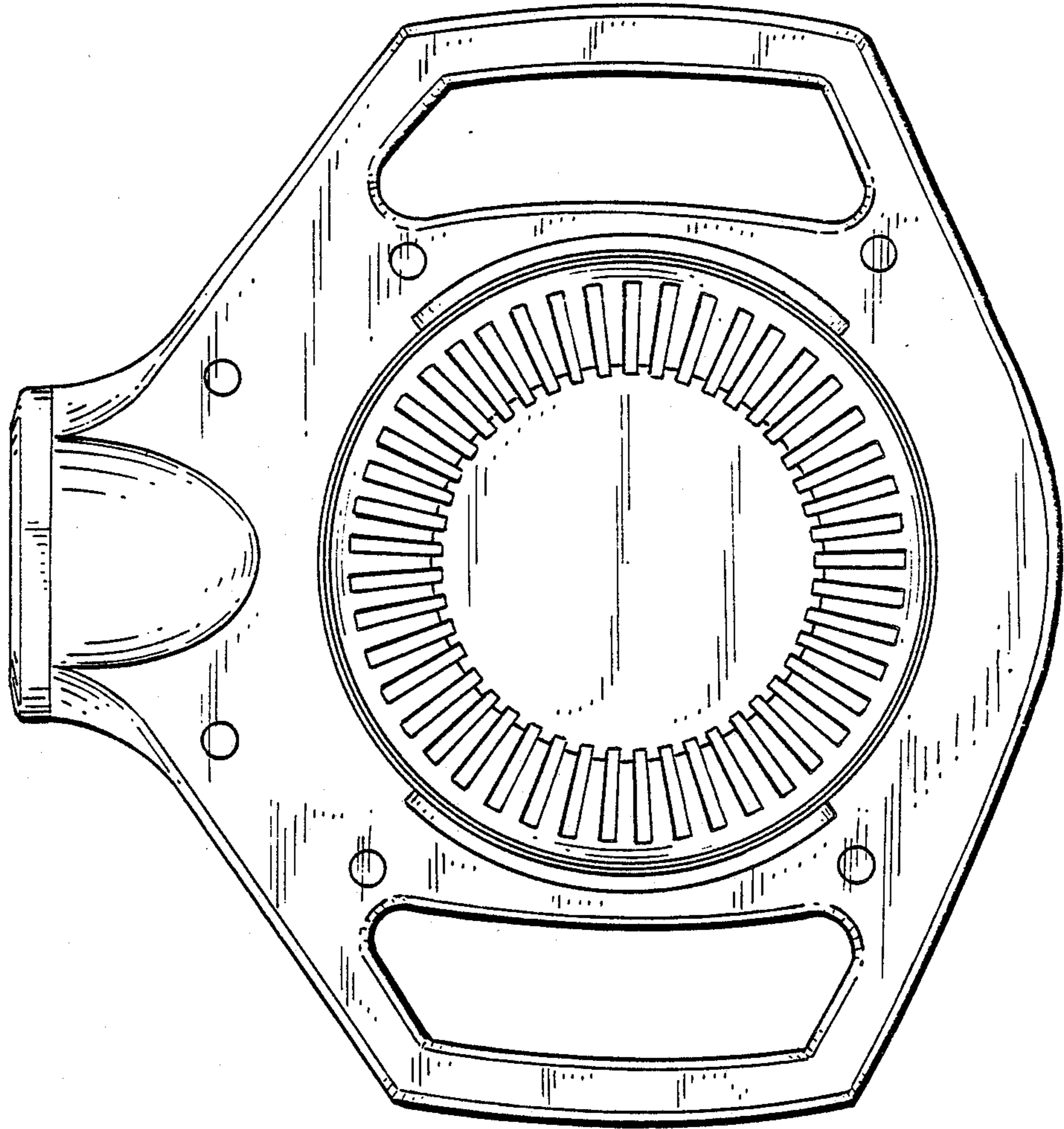


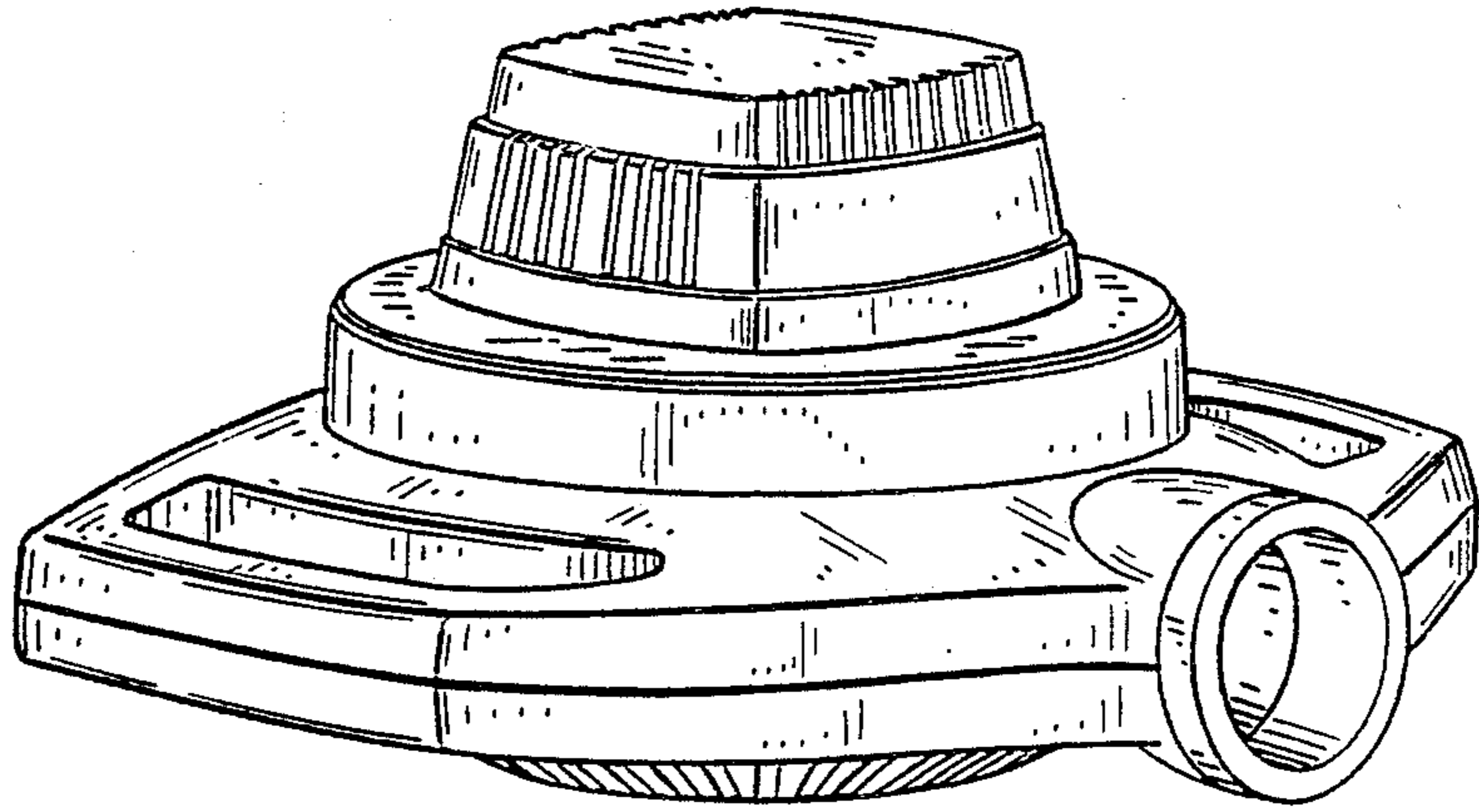
FIG. 6.



*FIG. 7.*



**FIG. 8.**



**FIG. 9.**

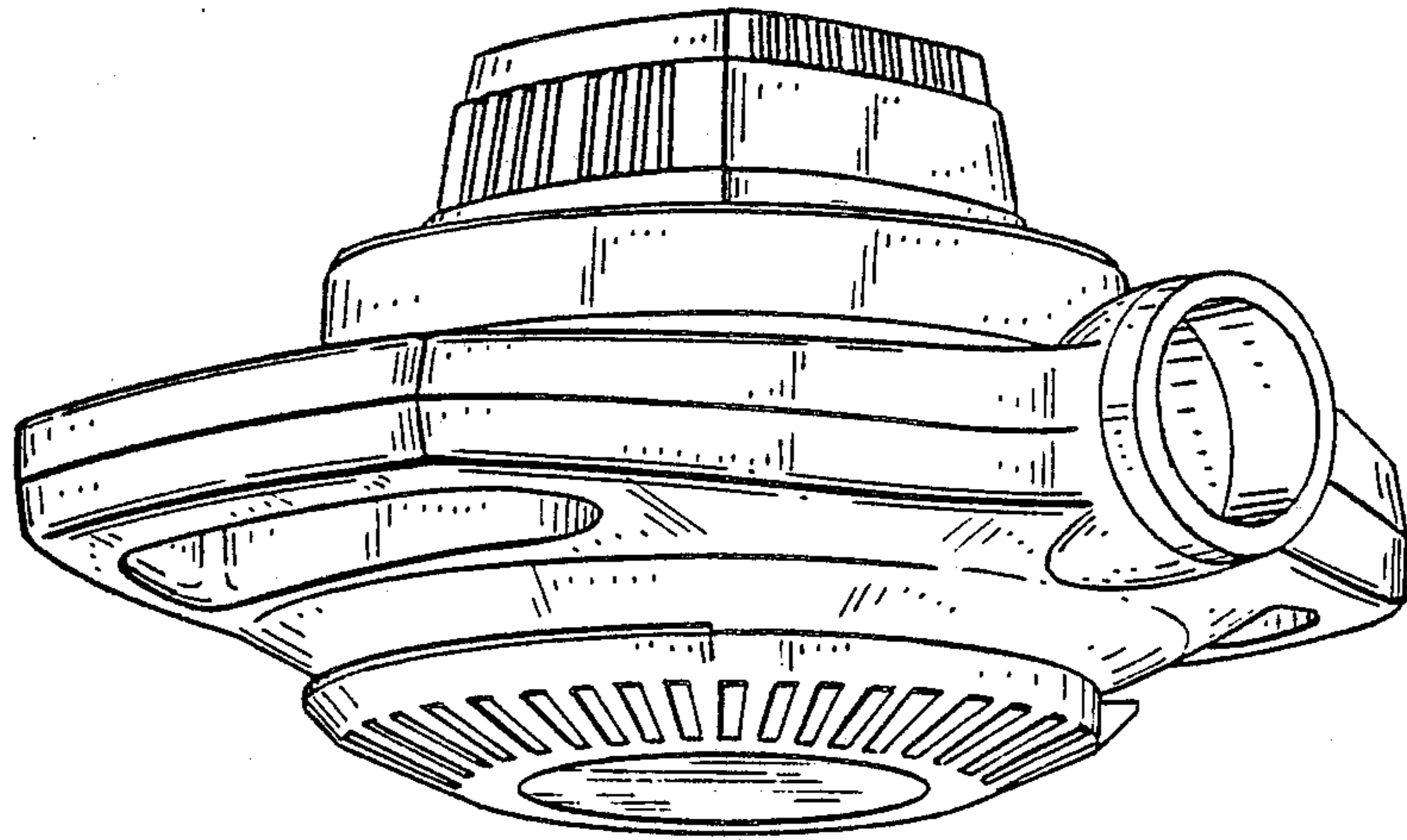


FIG. 10.

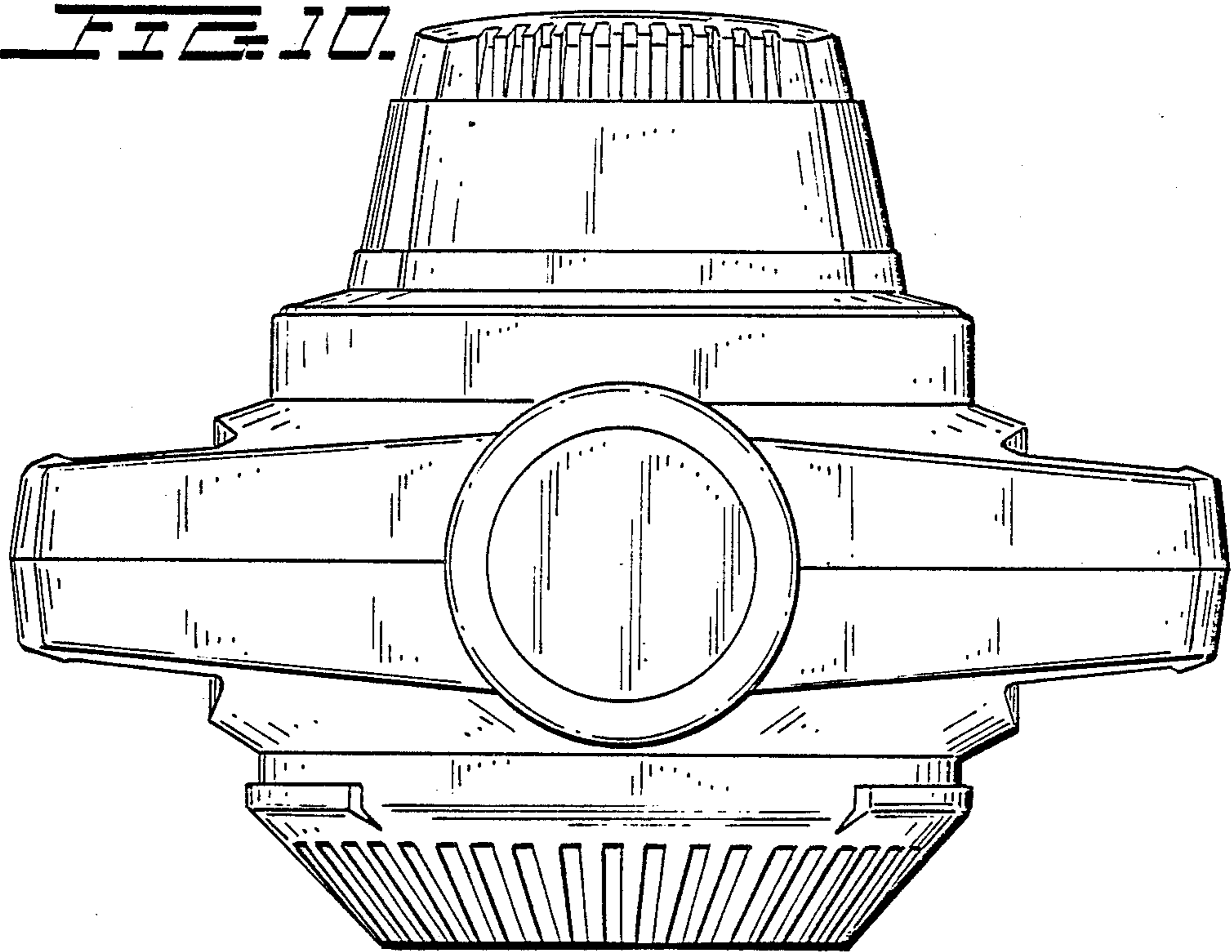
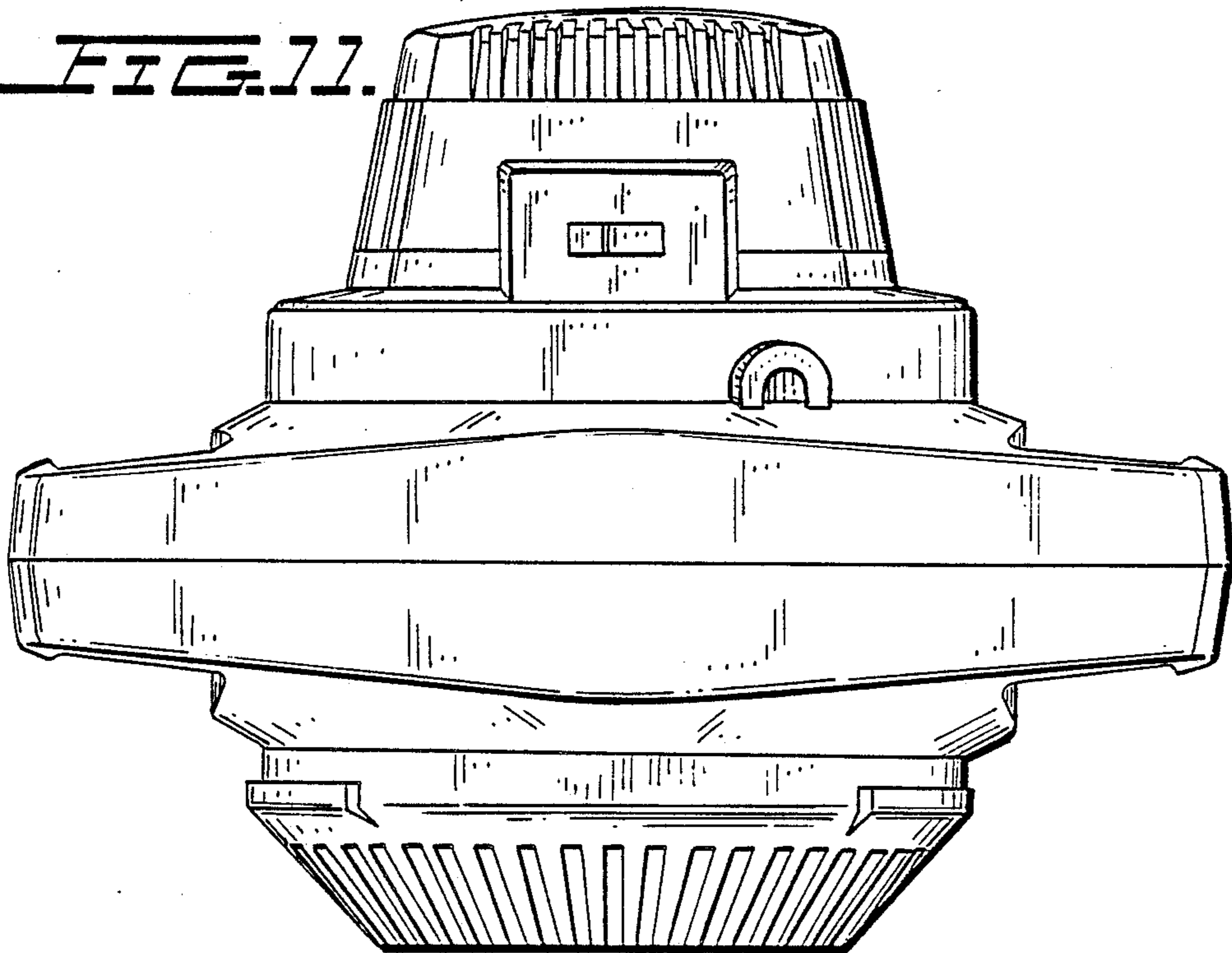
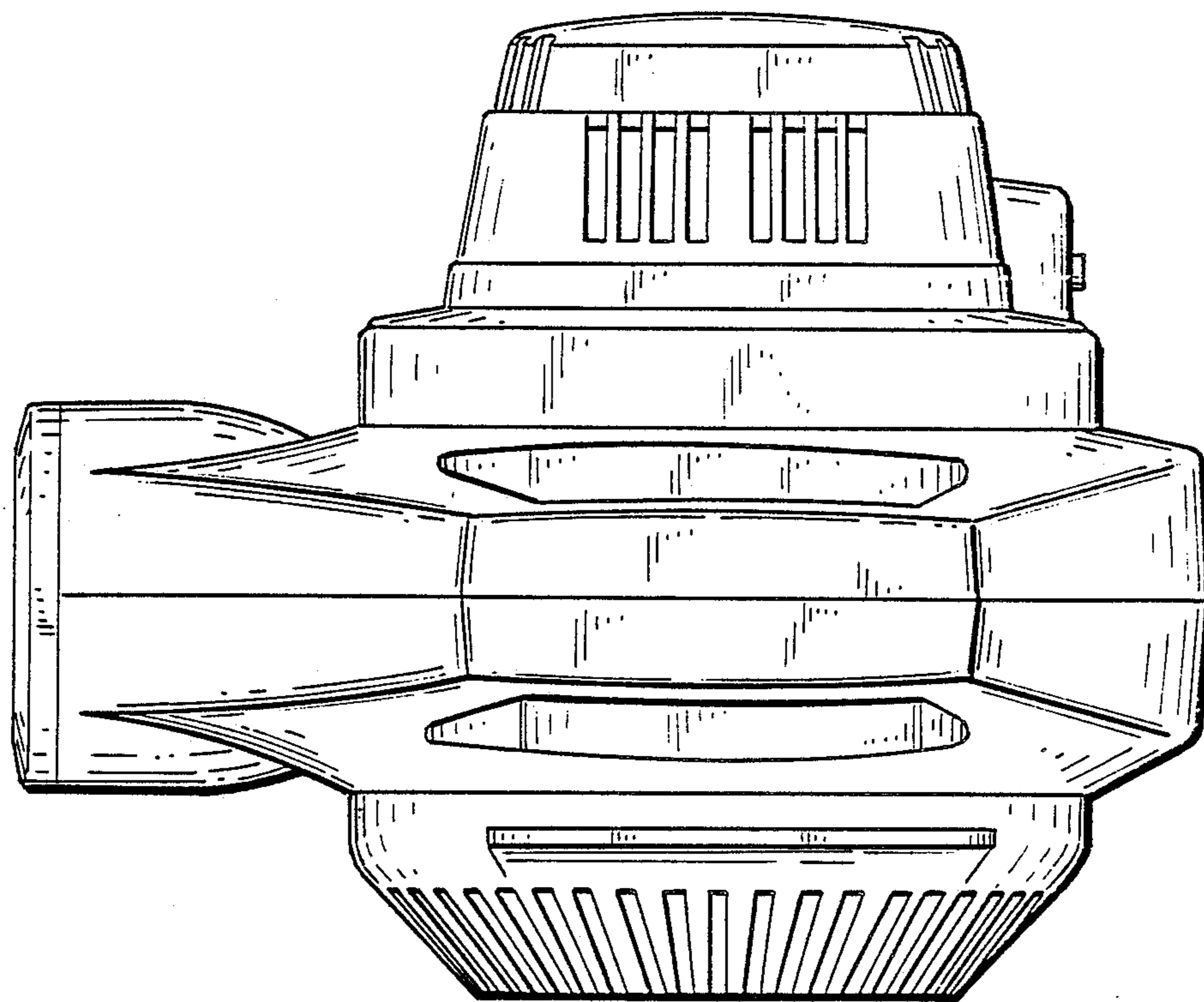


FIG. 11.





*FIG. 12.*



*FIG. 13.*

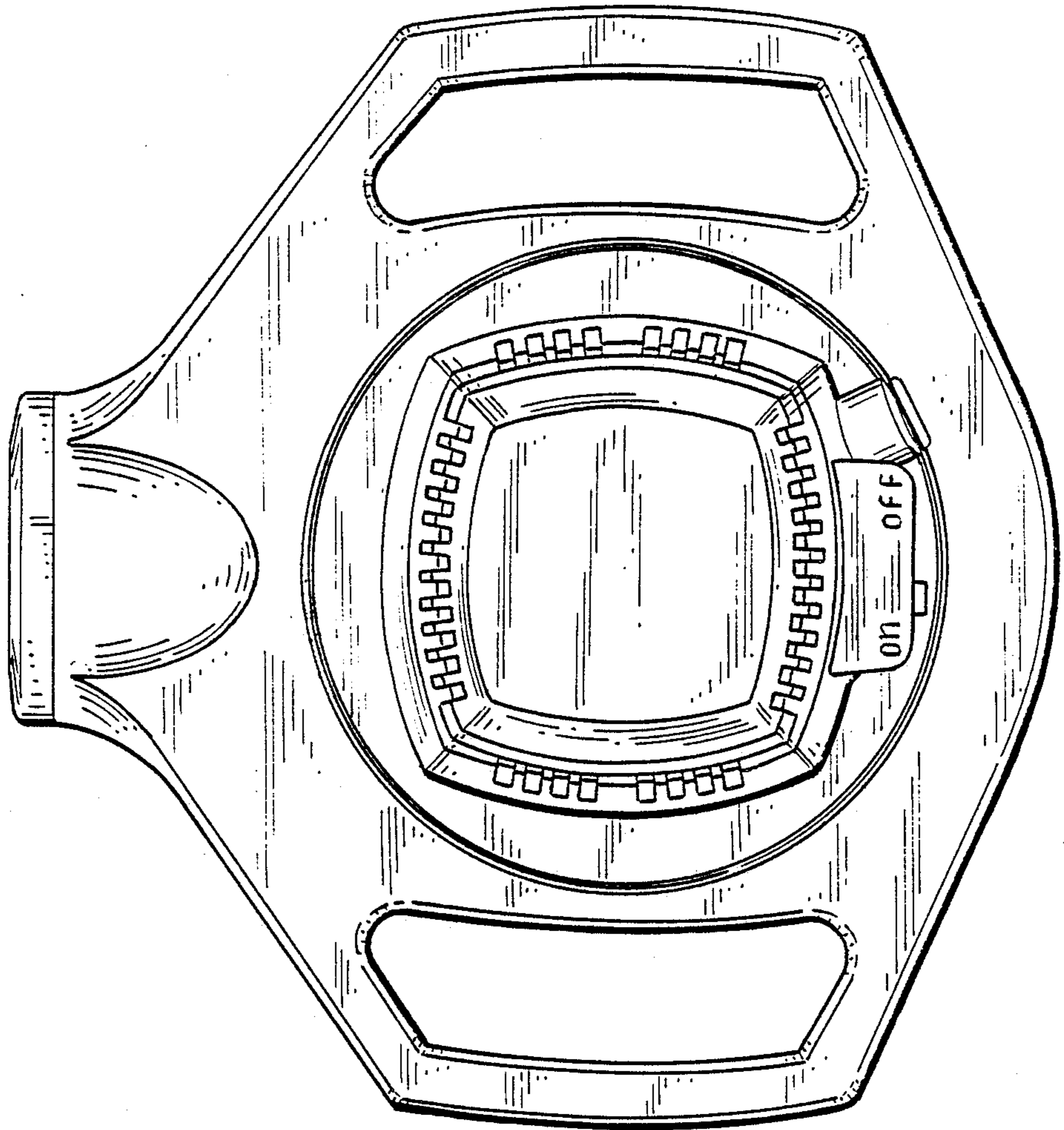


FIG. 14

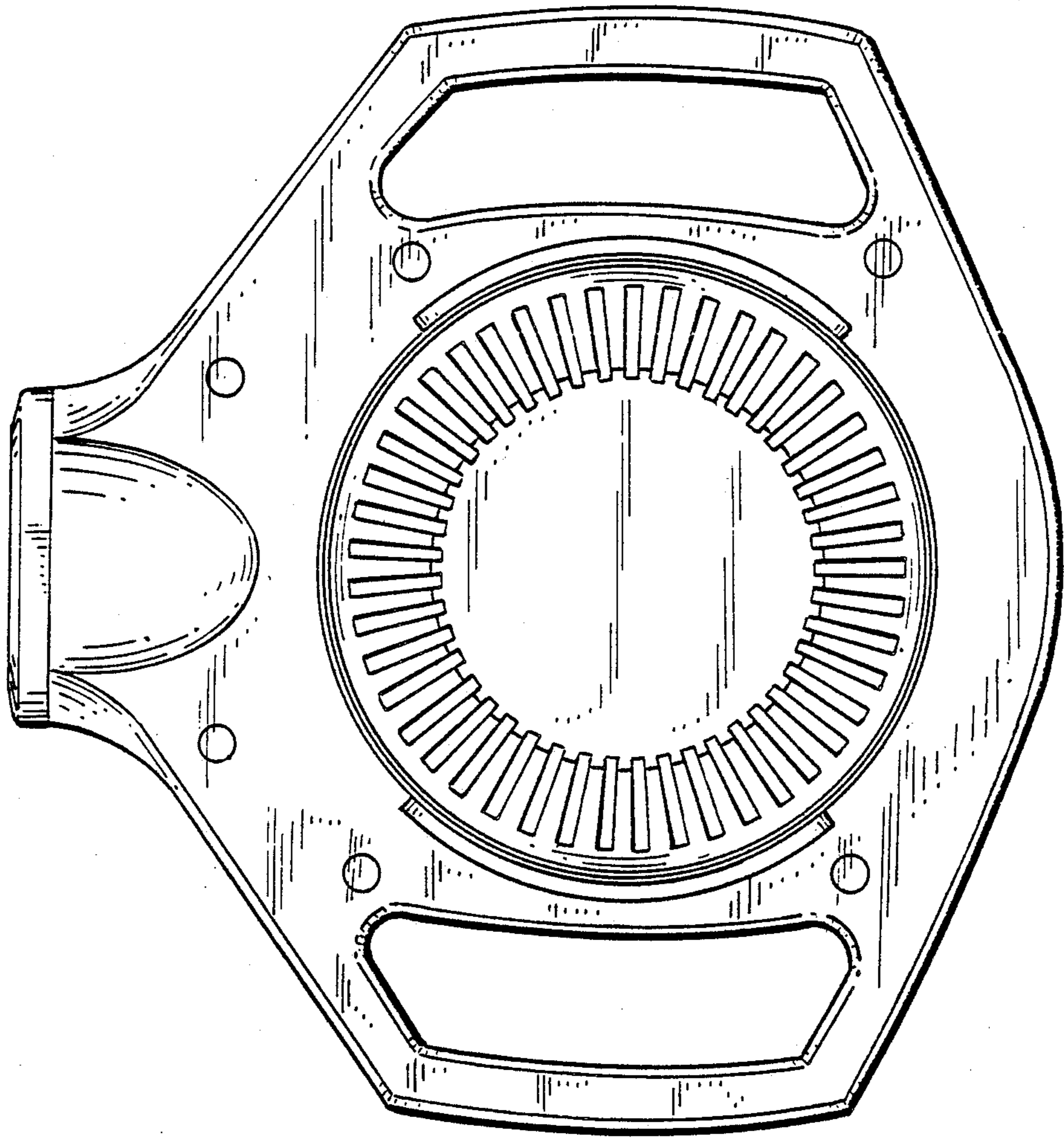


FIG. 15.

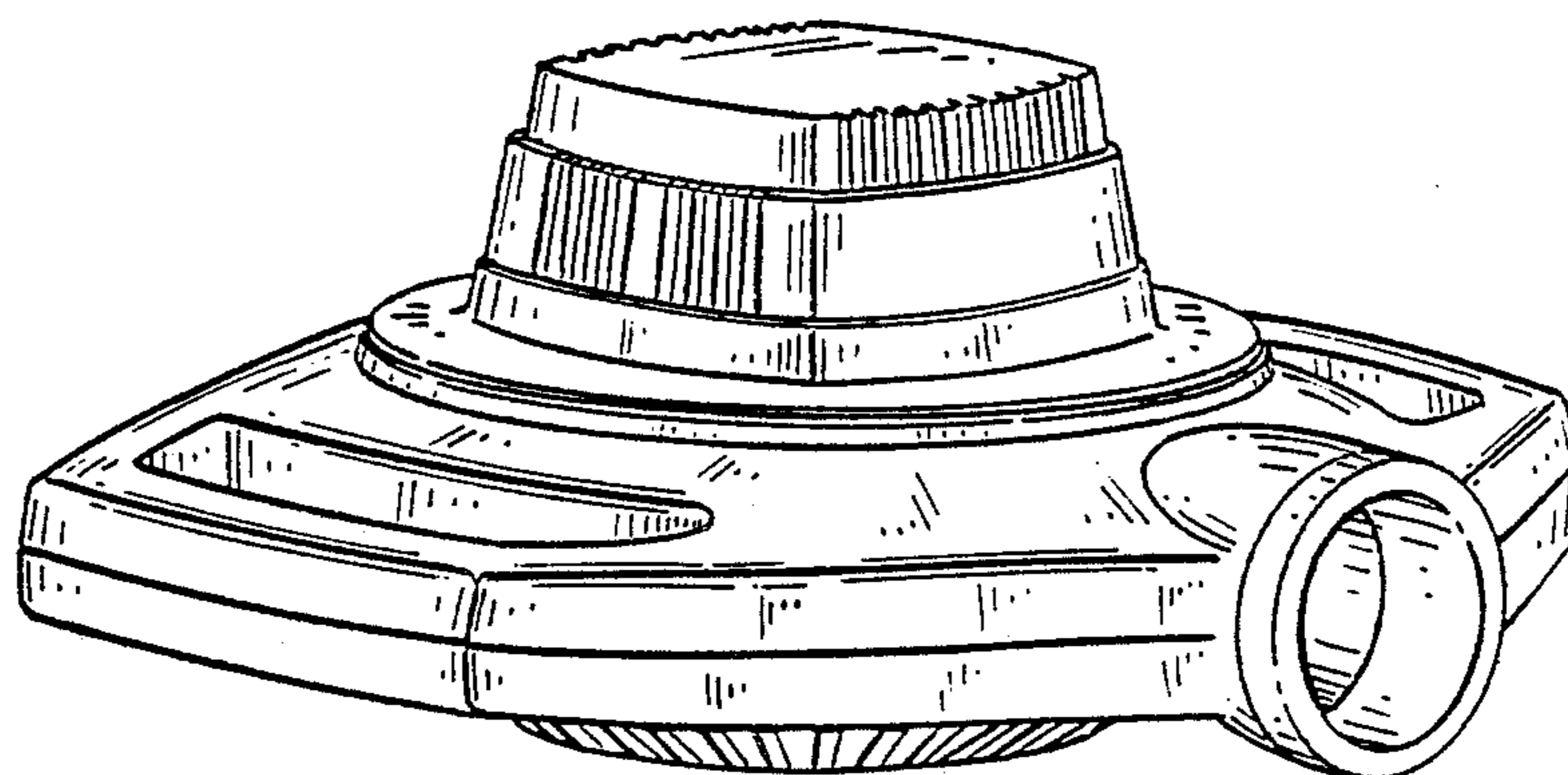


FIG. 16.

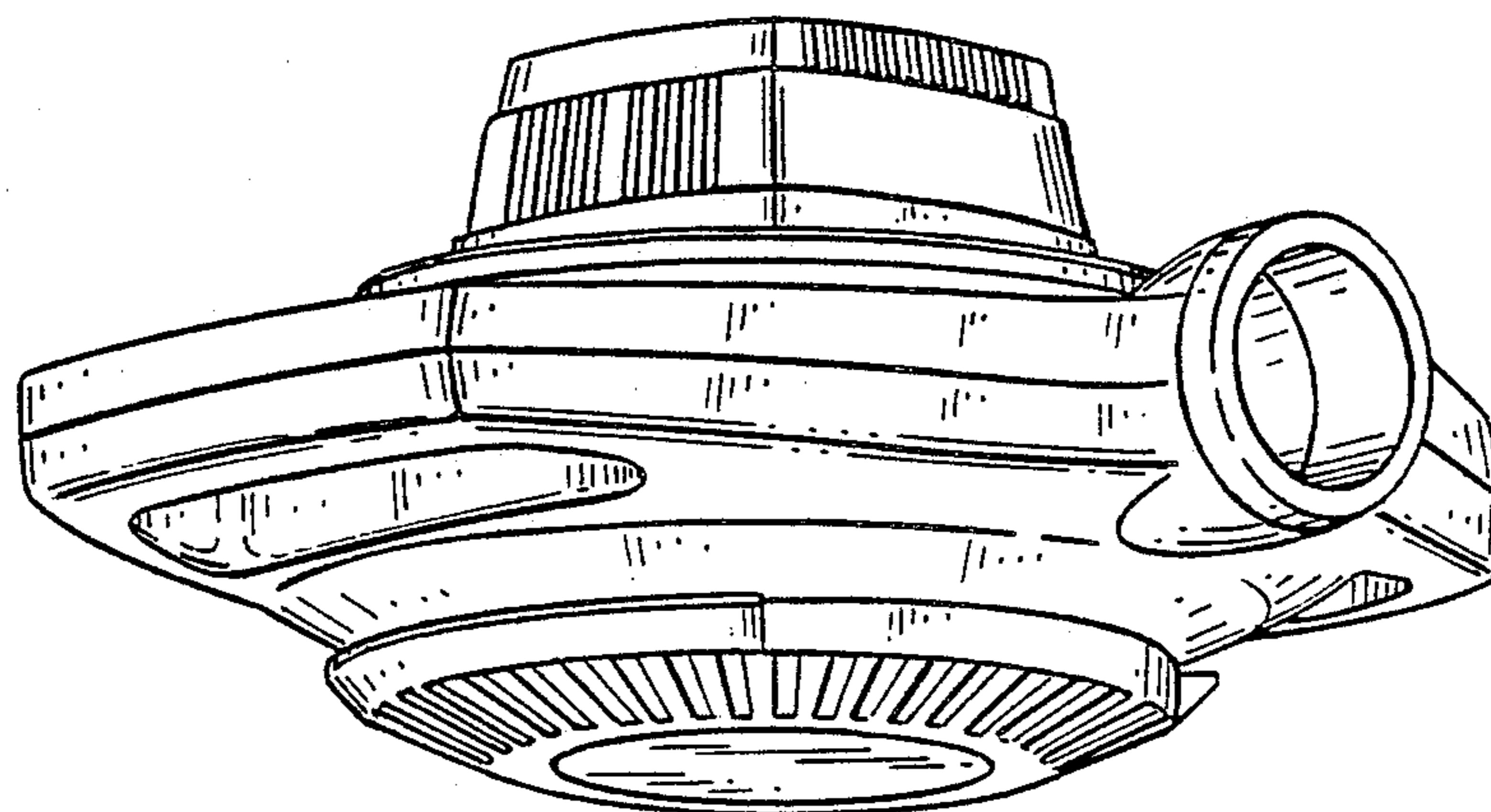


FIG. 17.

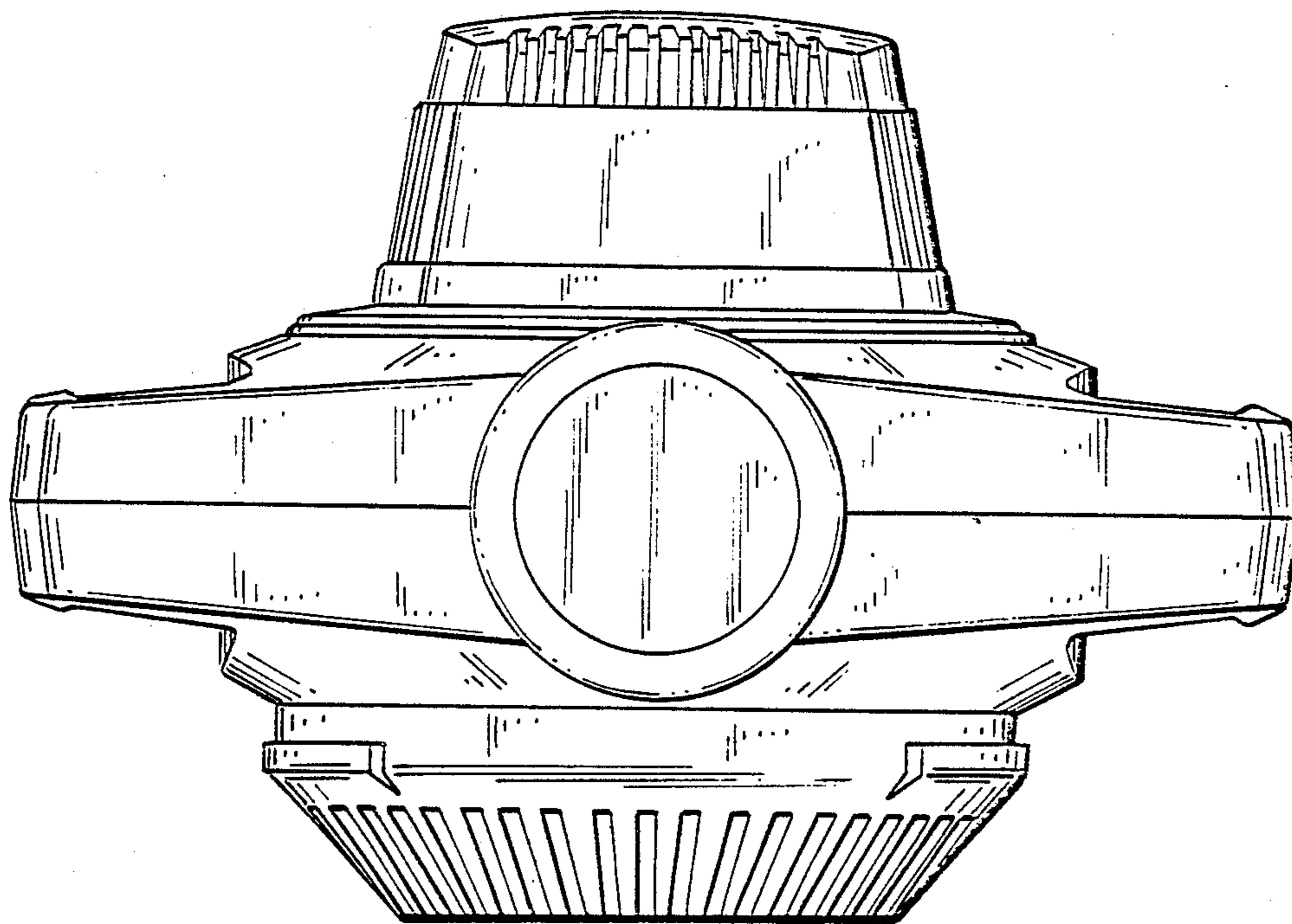


FIG. 18.

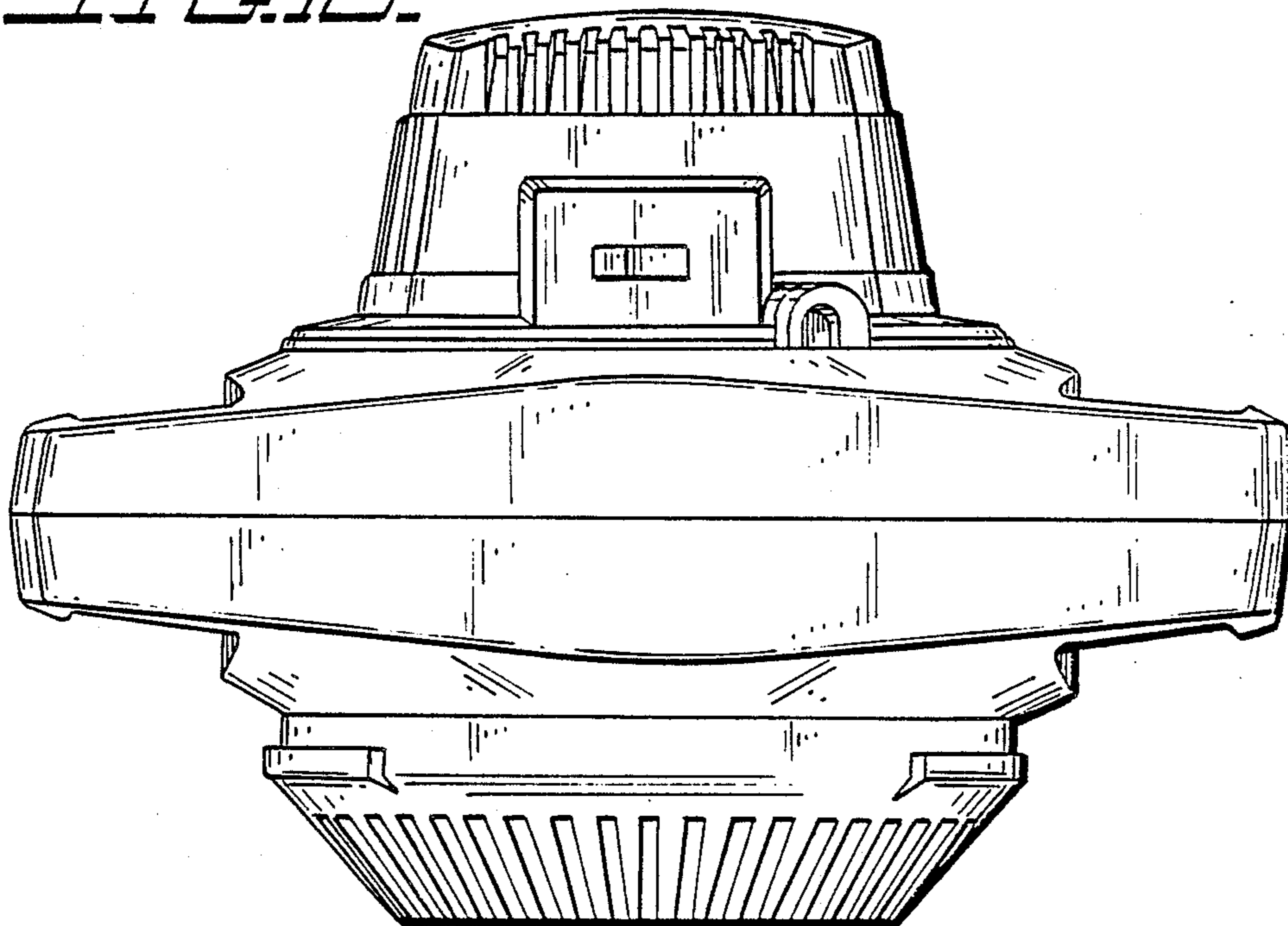


FIG. 19.

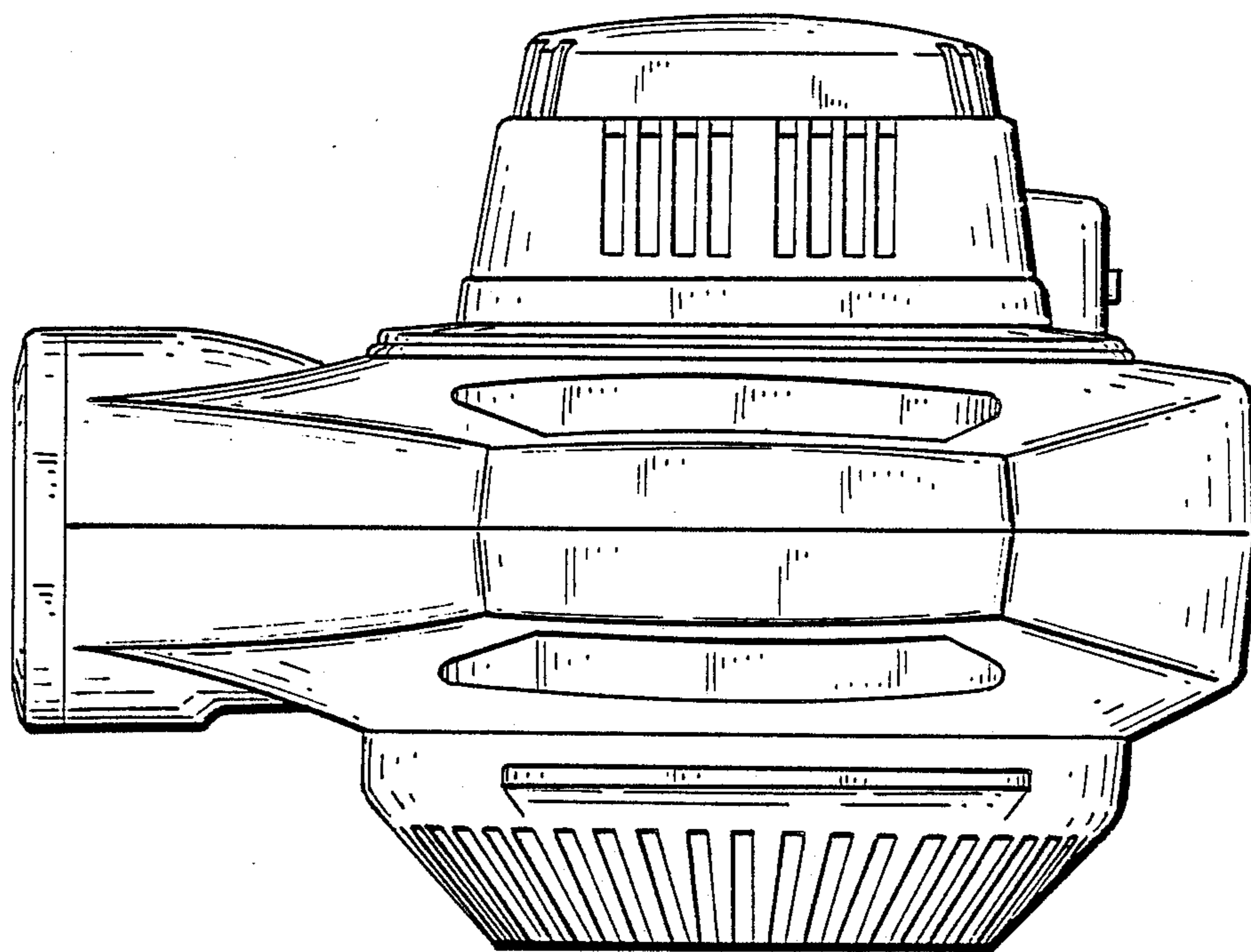
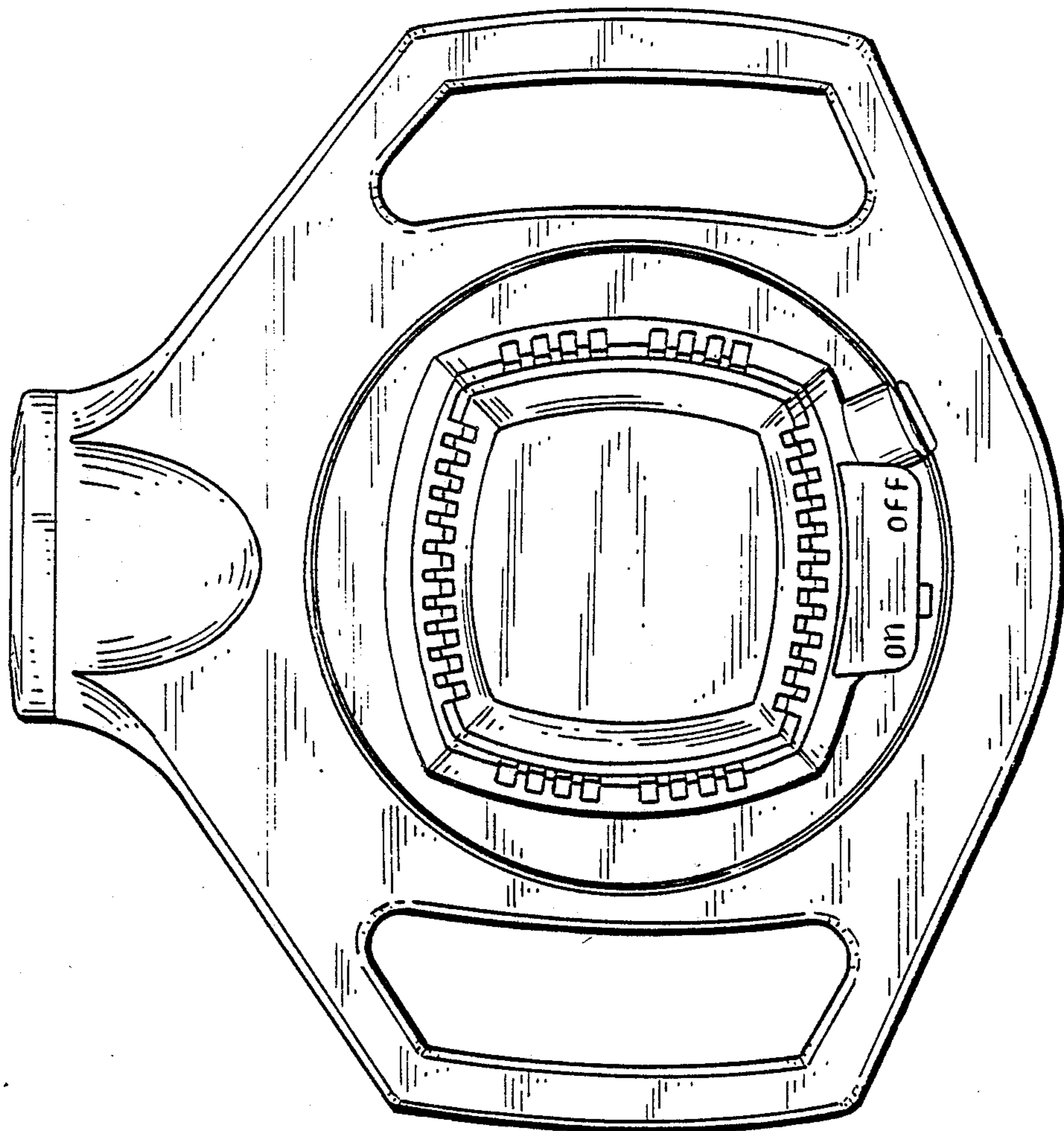
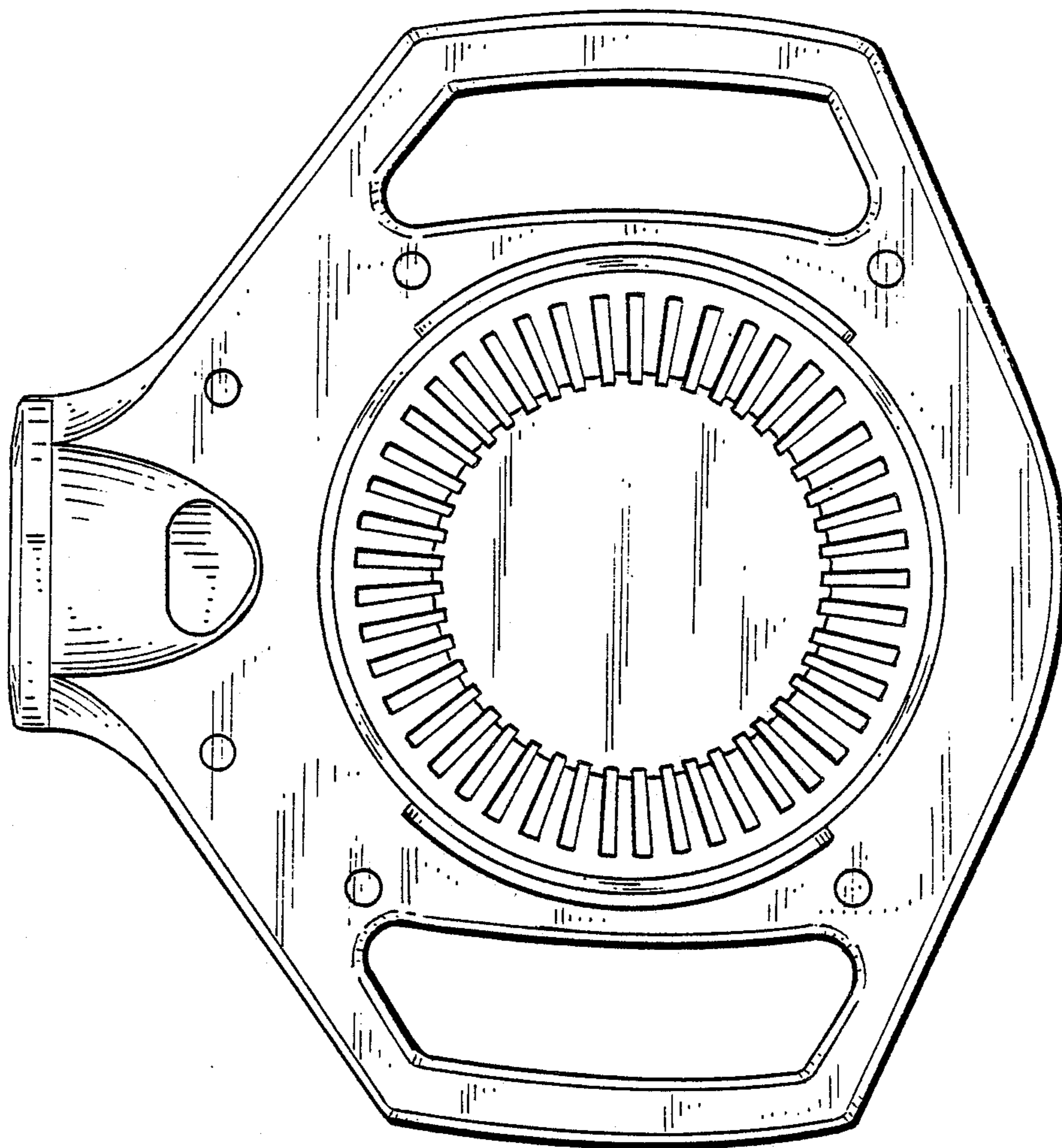


FIG. 20.

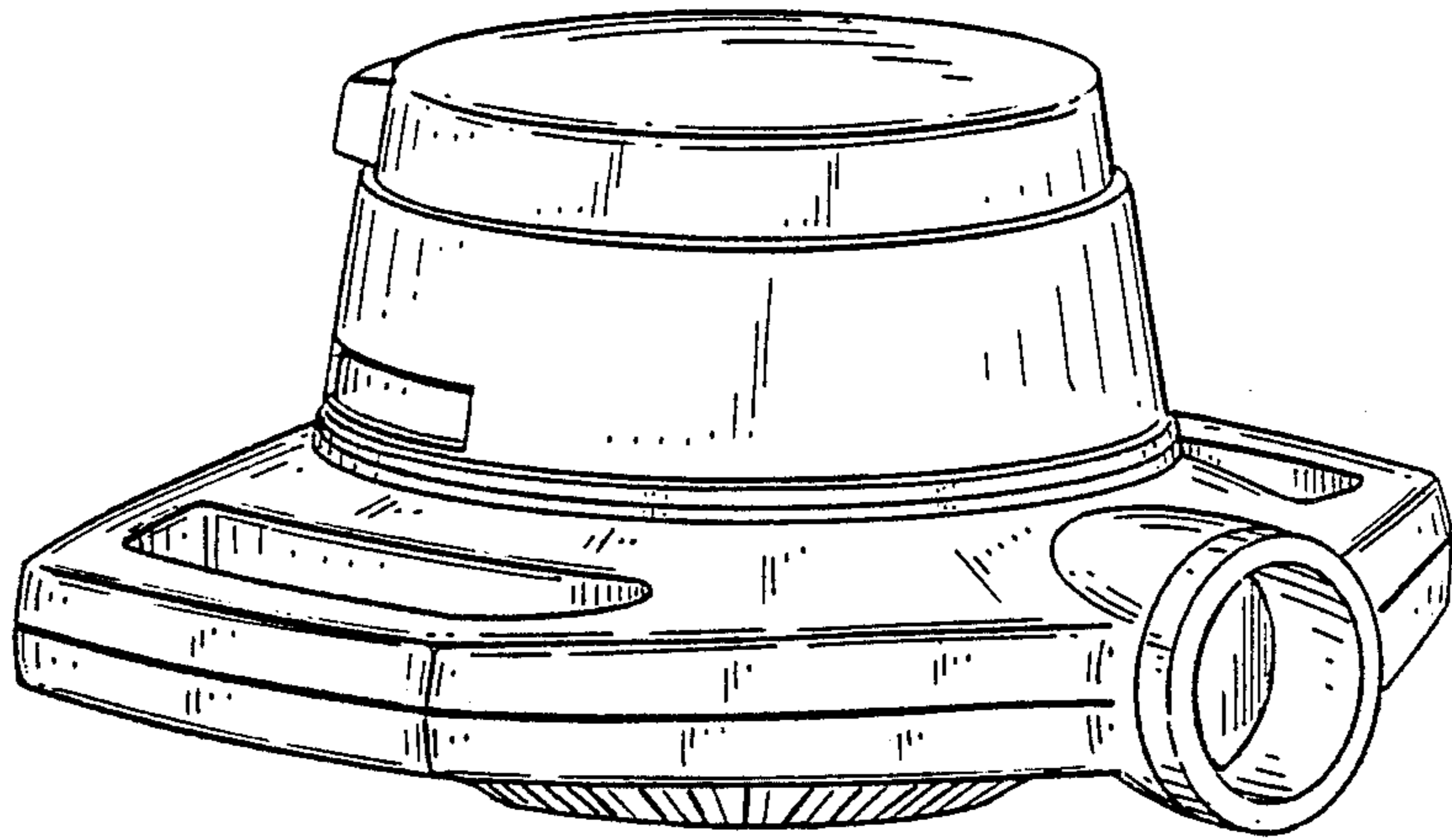


*FIG. 21.*





**FIG. 22.**



**FIG. 23.**

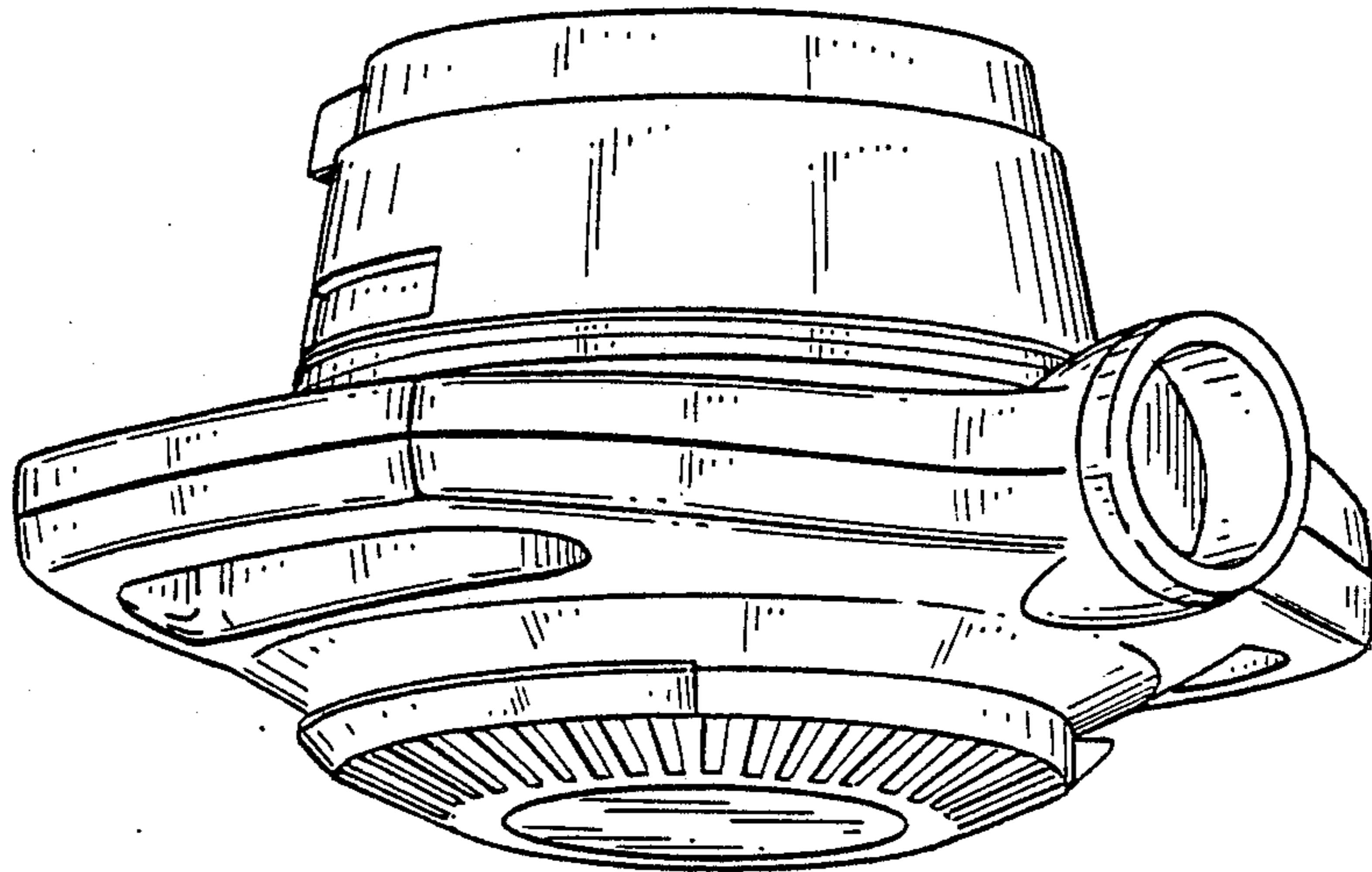


FIG. 24.

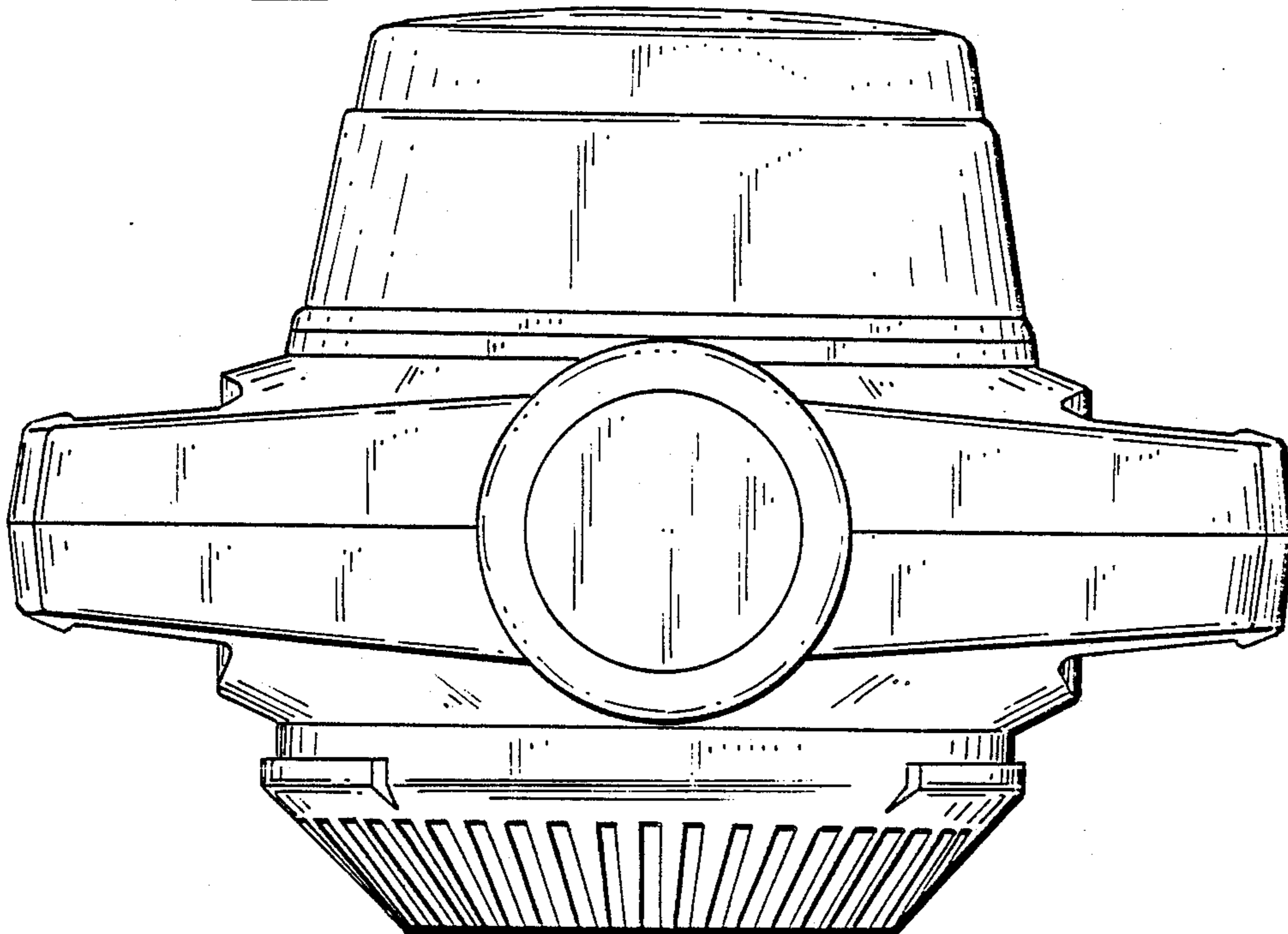


FIG. 25.

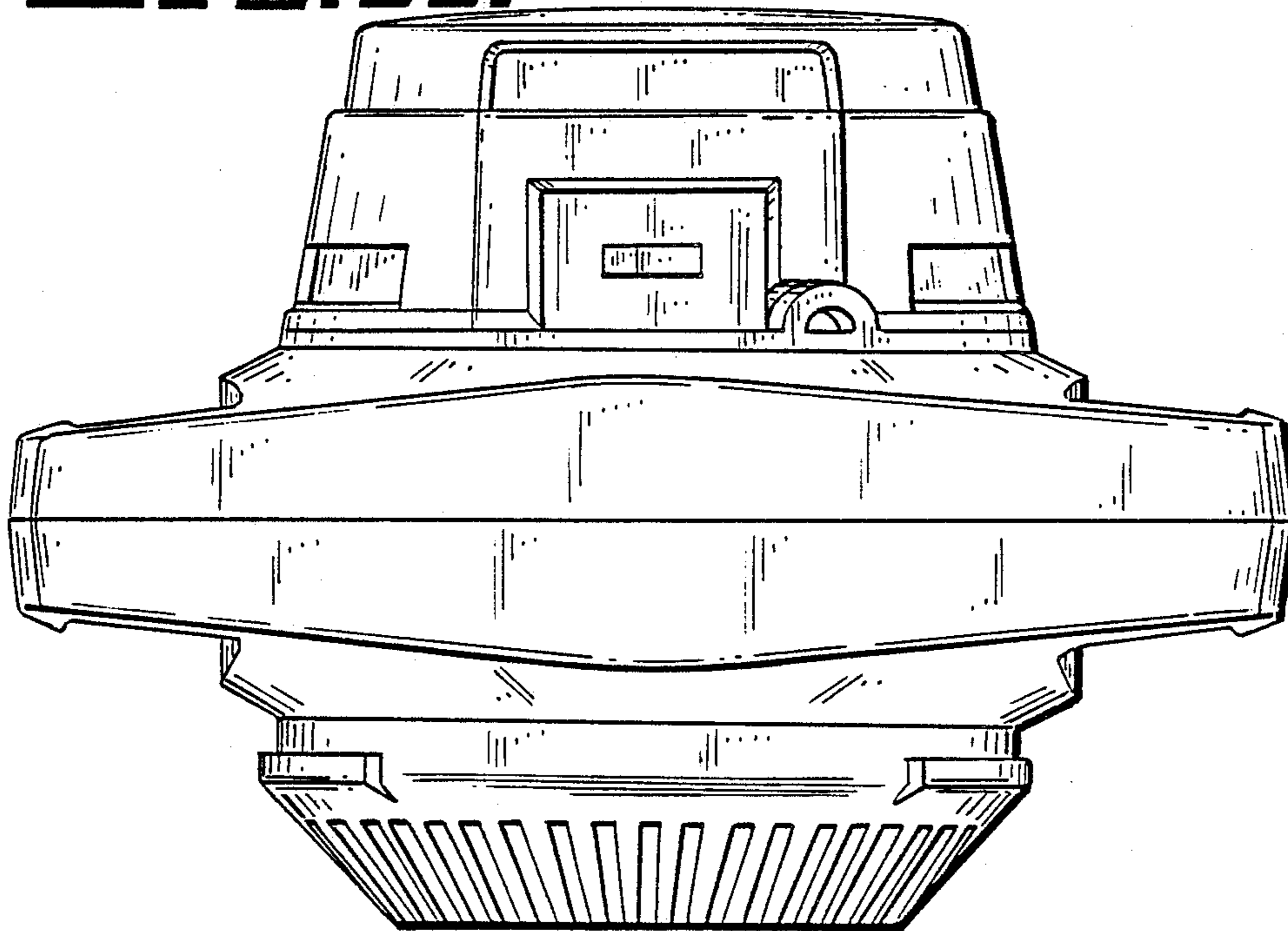


FIG. 25.

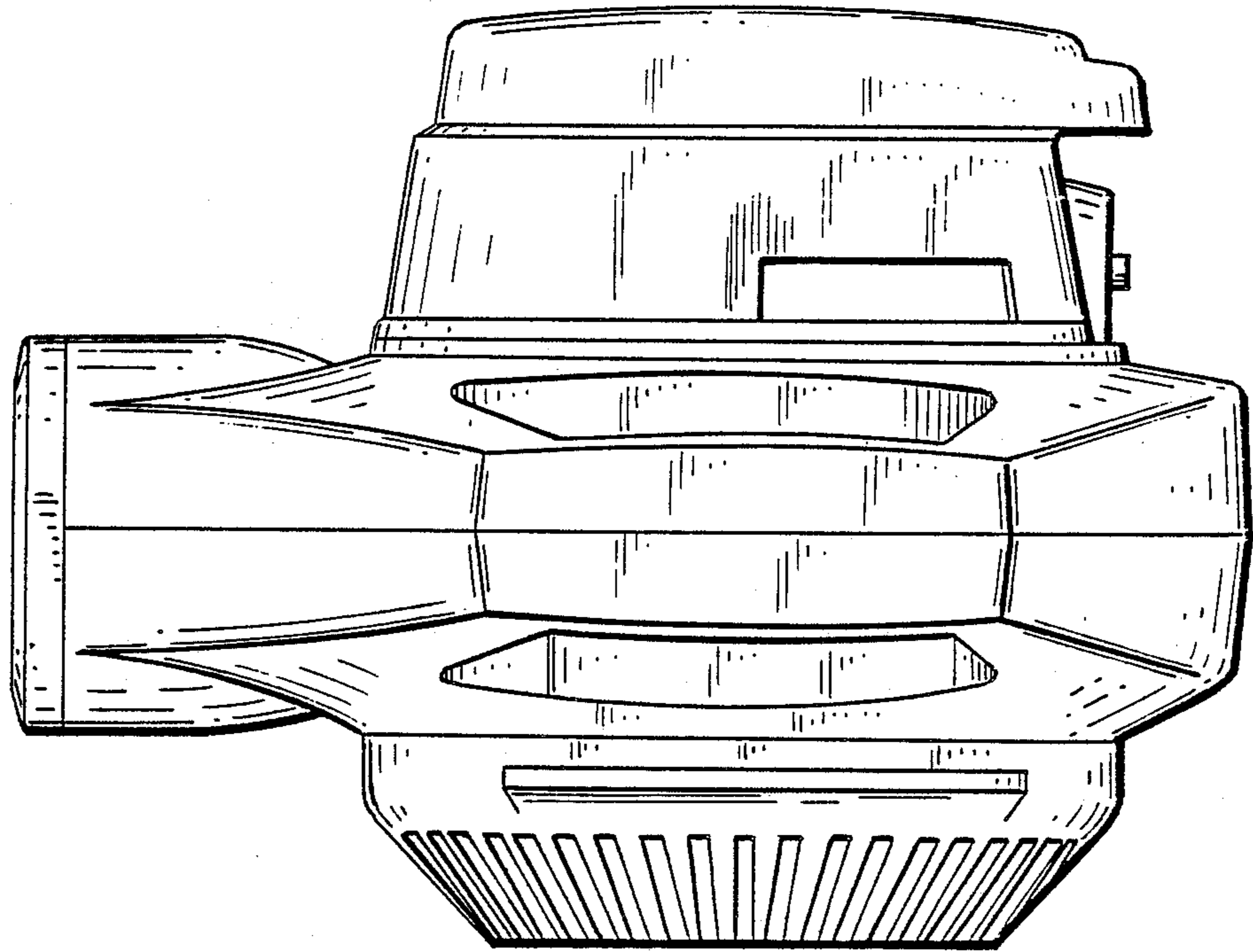
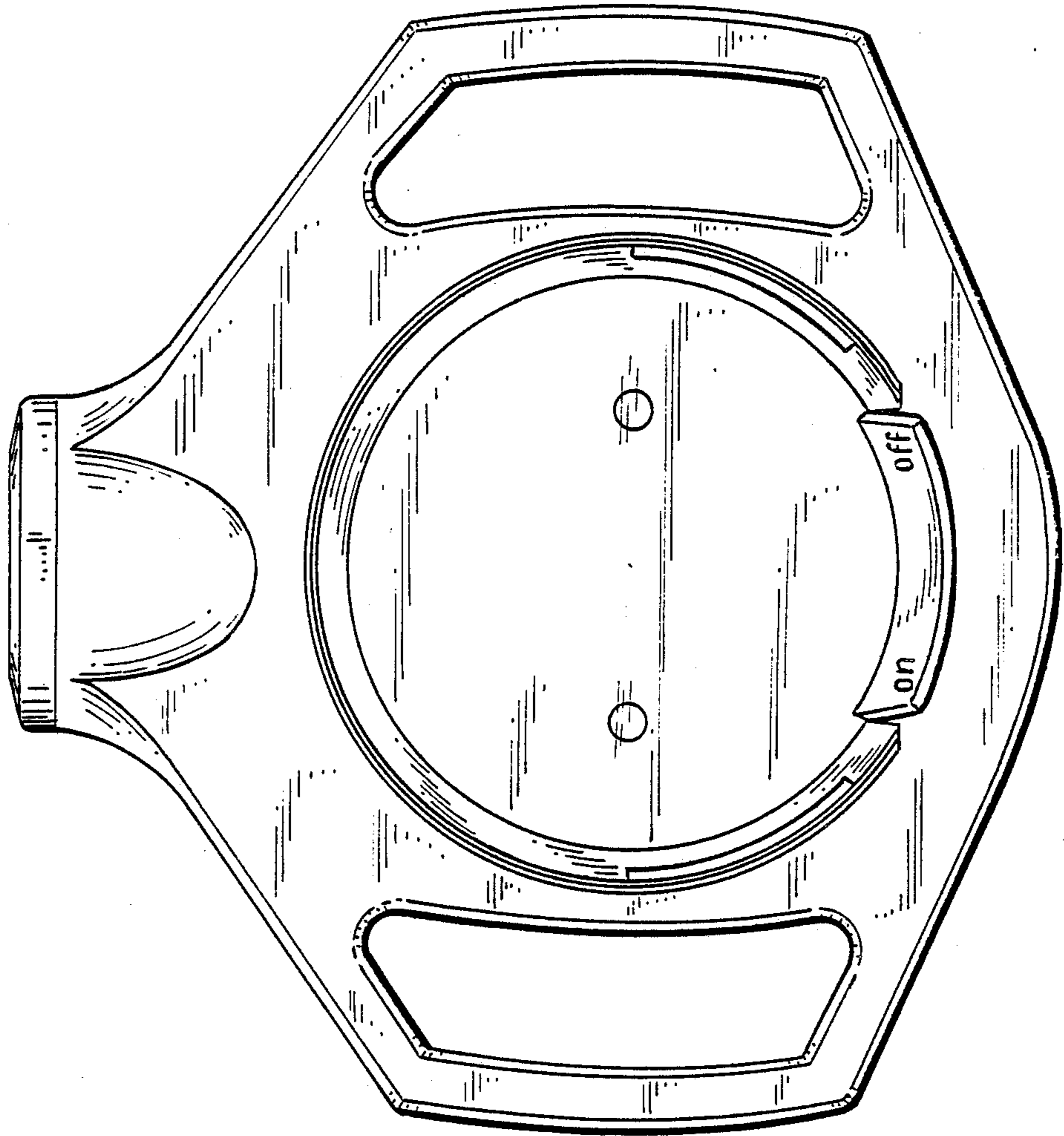


FIG. 27.



*FIG. 28*

