

[54] SURFACE UNIT FOR A SWIMMING POOL CLEANING APPARATUS

2,194,037 3/1940 Thuma 210/169 X
3,422,478 1/1969 Osborne 15/1.7
3,758,276 9/1973 Bond et al. 210/169 X
4,100,641 7/1978 Pansini 15/1.7

[75] Inventor: David A. Brooks, Roodepoort, South Africa

Primary Examiner—Wallace R. Burke
Assistant Examiner—Lavone D. Tabor

[73] Assignee: Spooner Est., Liechtenstein

[57] CLAIM

[**] Term: 14 Years

The ornamental design for a surface unit for a swimming pool cleaning apparatus, as shown and described.

[21] Appl. No.: 928,120

DESCRIPTION

[22] Filed: Nov. 7, 1986

[52] U.S. Cl. D32/1

[58] Field of Search D32/1, 35; 210/169, 210/242.1, 416.2, 407; 134/167 R; 15/1.7

FIG. 1 is a side elevational view of a surface unit for a swimming pool cleaning apparatus showing my new design;

FIG. 2 is a top plan view thereof;

FIG. 3 is a bottom plan view thereof;

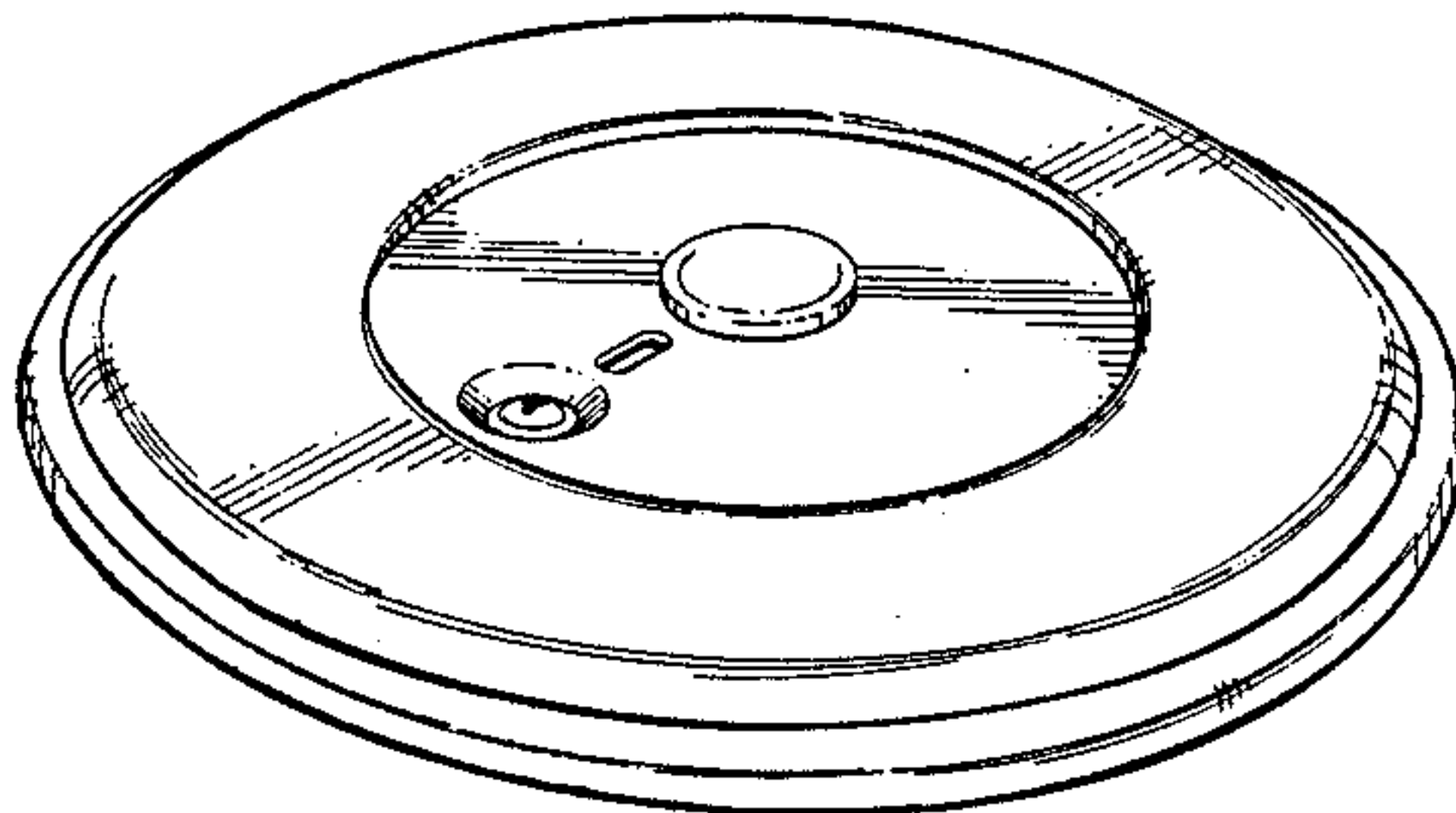
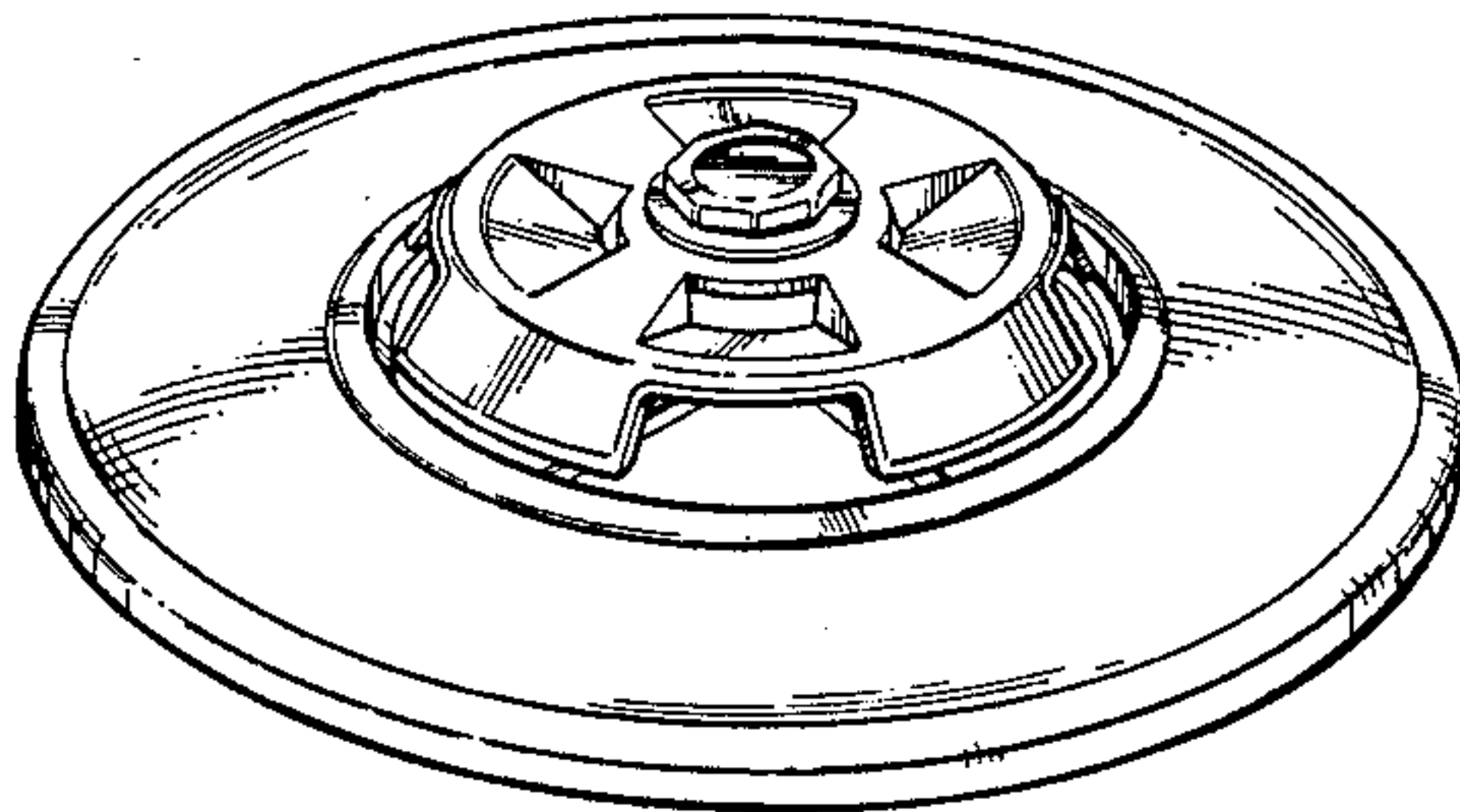
FIG. 4 is a top perspective view thereof; and

FIG. 5 is a bottom perspective view thereof.

[56] References Cited

U.S. PATENT DOCUMENTS

D. 261,655 11/1981 Pansini D32/32



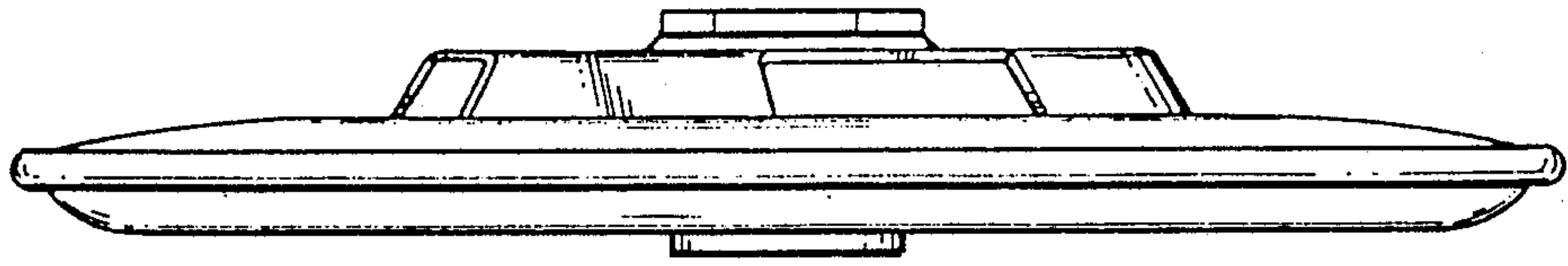


FIG 1

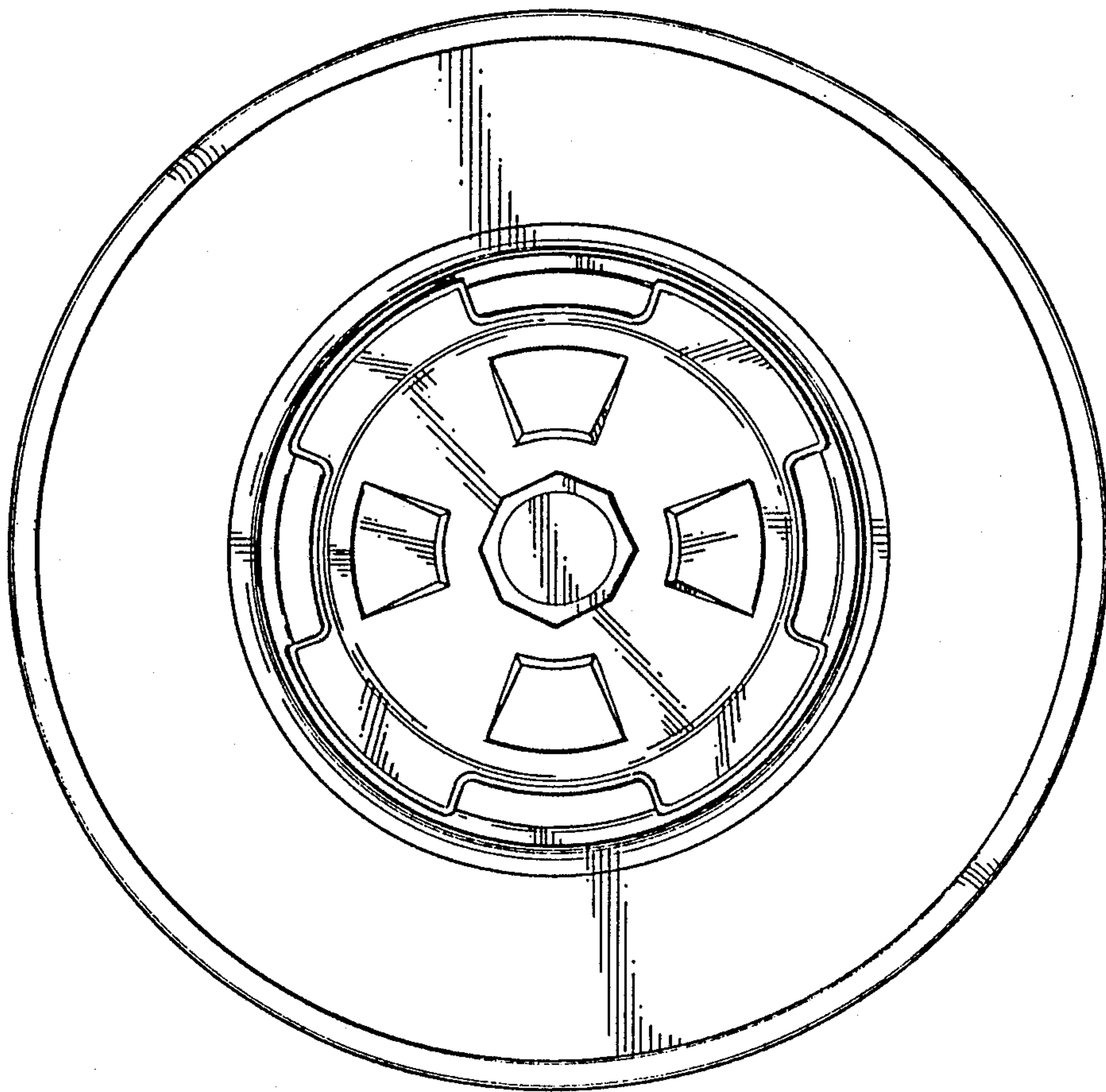


FIG 2

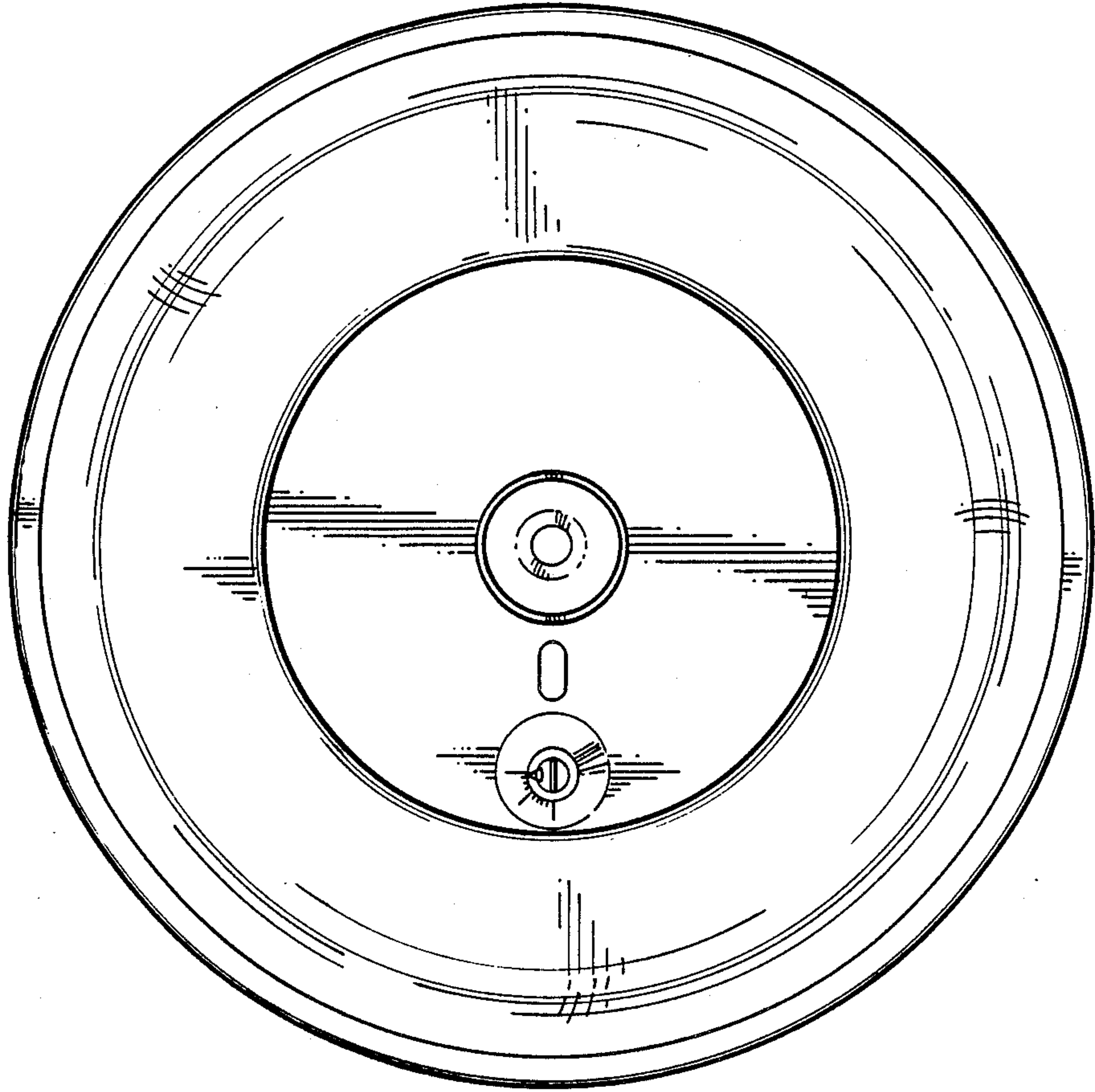


FIG 3

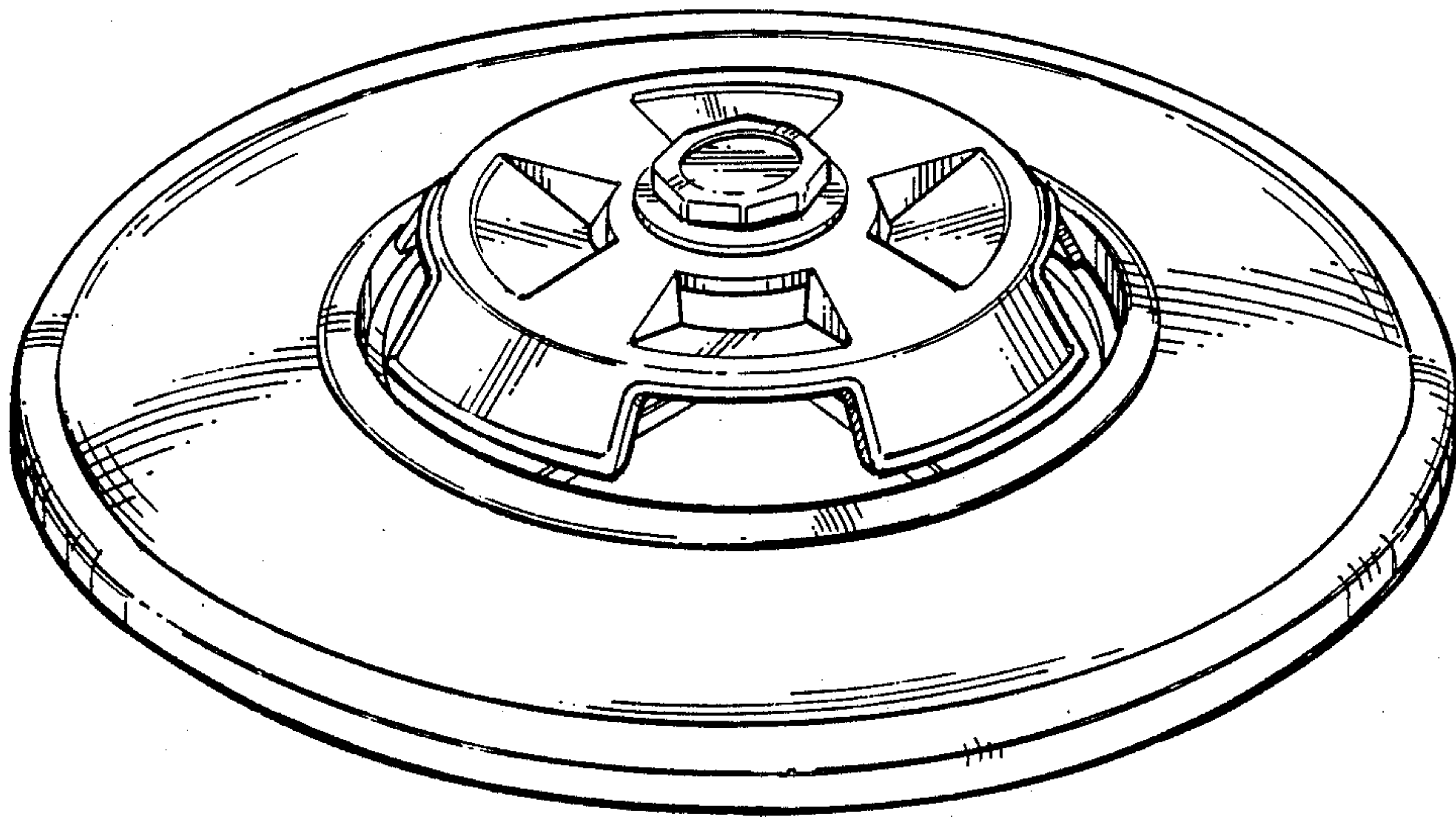


FIG 4

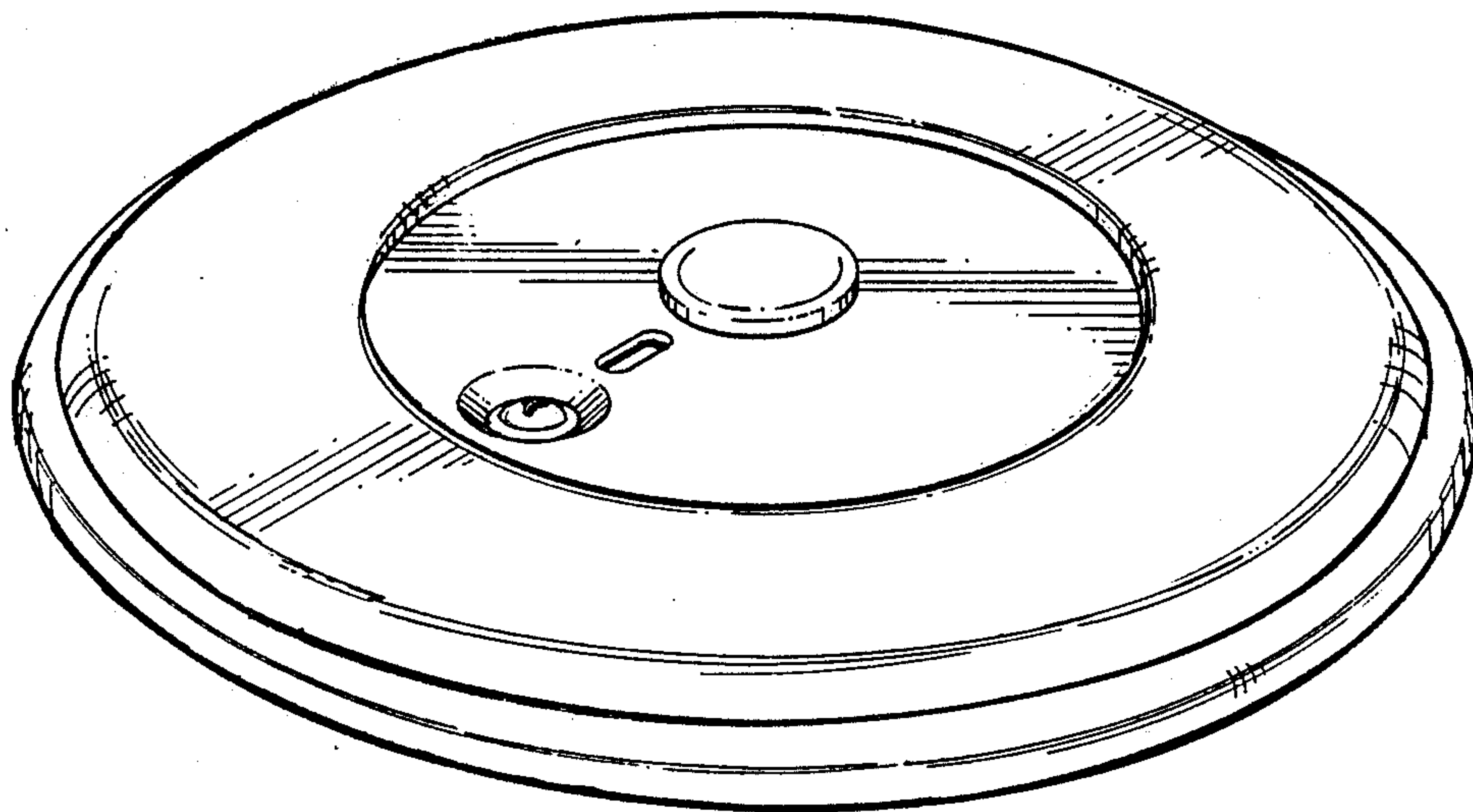


FIG 5