

[54] COSMETICS CASE

[75] Inventors: Betsy Weber, San Diego; Farouk Arjani, Los Altos Hills; Richard A. Varga, Poway, all of Calif.

[73] Assignee: Beauty Mate, San Diego, Calif.

[\*\*] Term: 14 Years

[21] Appl. No.: 86,657

[22] Filed: Aug. 17, 1987

[52] U.S. Cl. .... D28/76; D28/73; D3/39

[58] Field of Search ..... D3/30.1, 39; 132/293-336; 206/235, 385, 581, 823

[56] References Cited

U.S. PATENT DOCUMENTS

- D. 149,029 3/1946 Sims ..... D3/39
- D. 280,360 9/1985 Fields, Jr. .... D3/30.1 X
- 1,598,316 8/1926 Scharling ..... 220/1 R

1,711,327 4/1929 Rock ..... 132/310 X

FOREIGN PATENT DOCUMENTS

2203982 8/1973 Fed. Rep. of Germany ..... 132/304

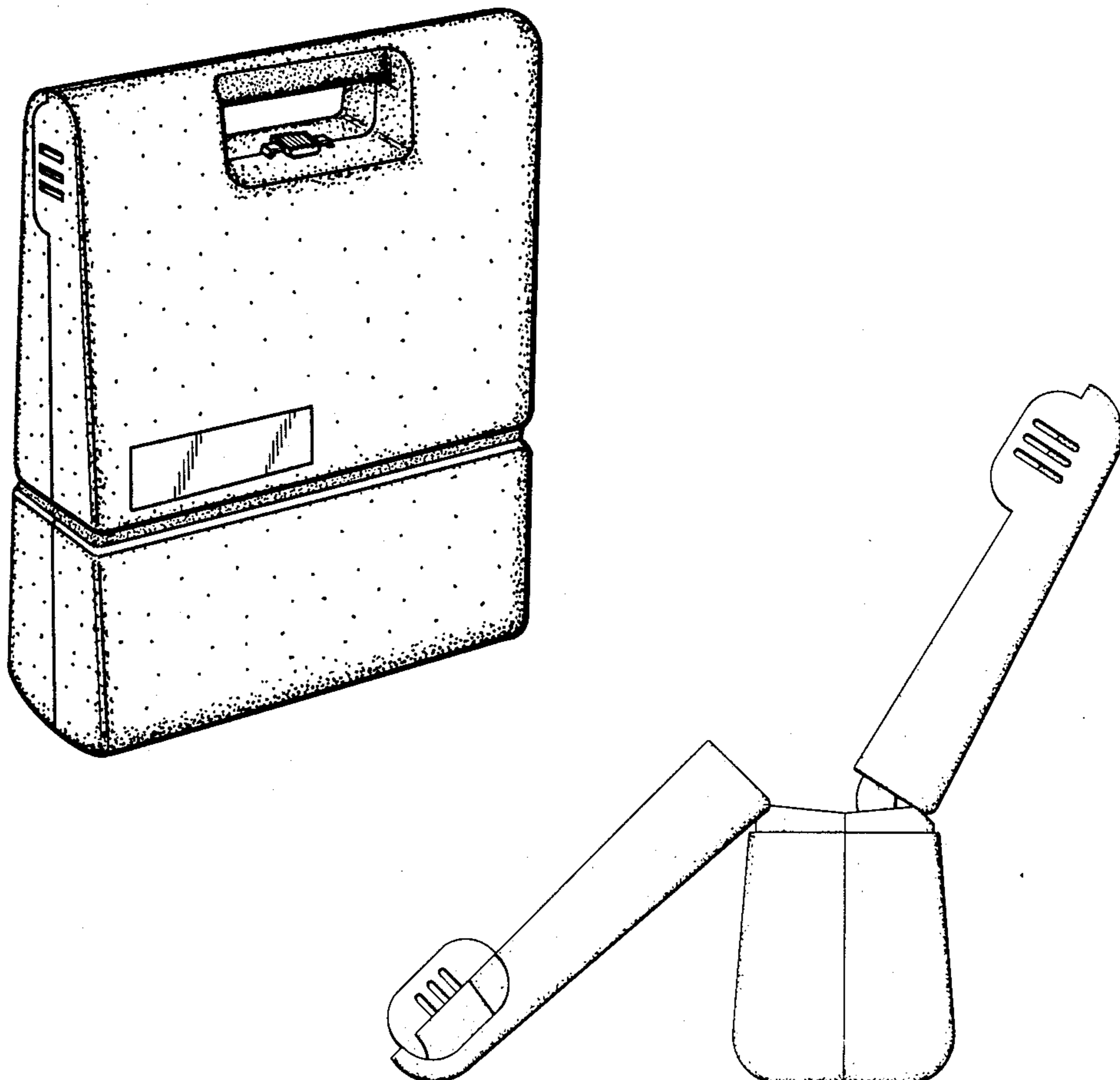
Primary Examiner—Bernard Ansher  
Assistant Examiner—C. Tuttle  
Attorney, Agent, or Firm—Thomas Schneck

[57] CLAIM

The ornamental design for cosmetics case, as shown.

DESCRIPTION

FIG. 1 is a perspective view of a cosmetics case, showing our new design;  
 FIG. 2 is a top view thereof;  
 FIG. 3 is a bottom view thereof;  
 FIG. 4 is a front elevational view thereof, the rear elevational view being identical;  
 FIG. 5 is a left side view thereof, the right side view being identical;  
 FIG. 6 is a left side view thereof, with the cosmetics case shown open.



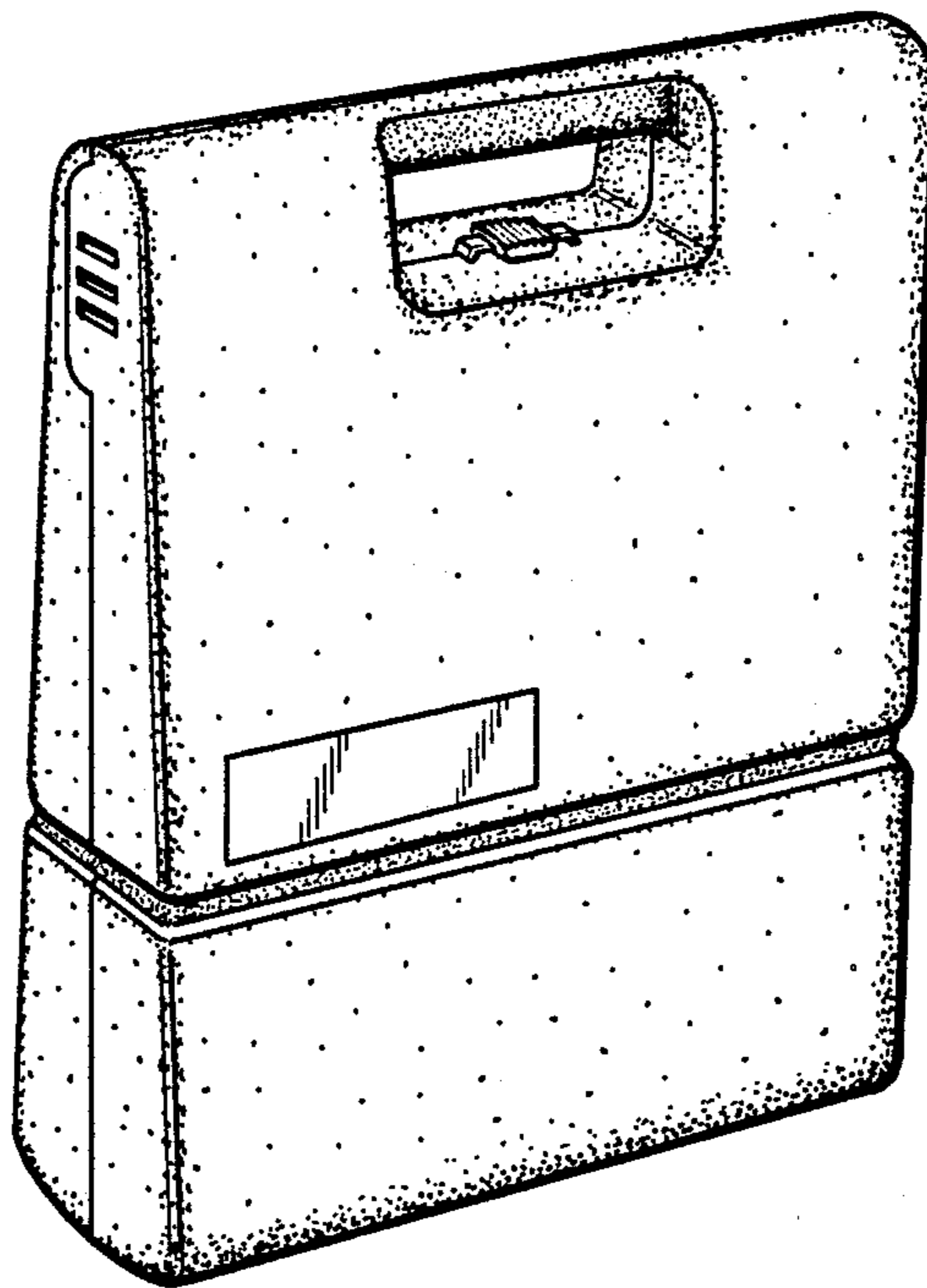


FIG. 1.

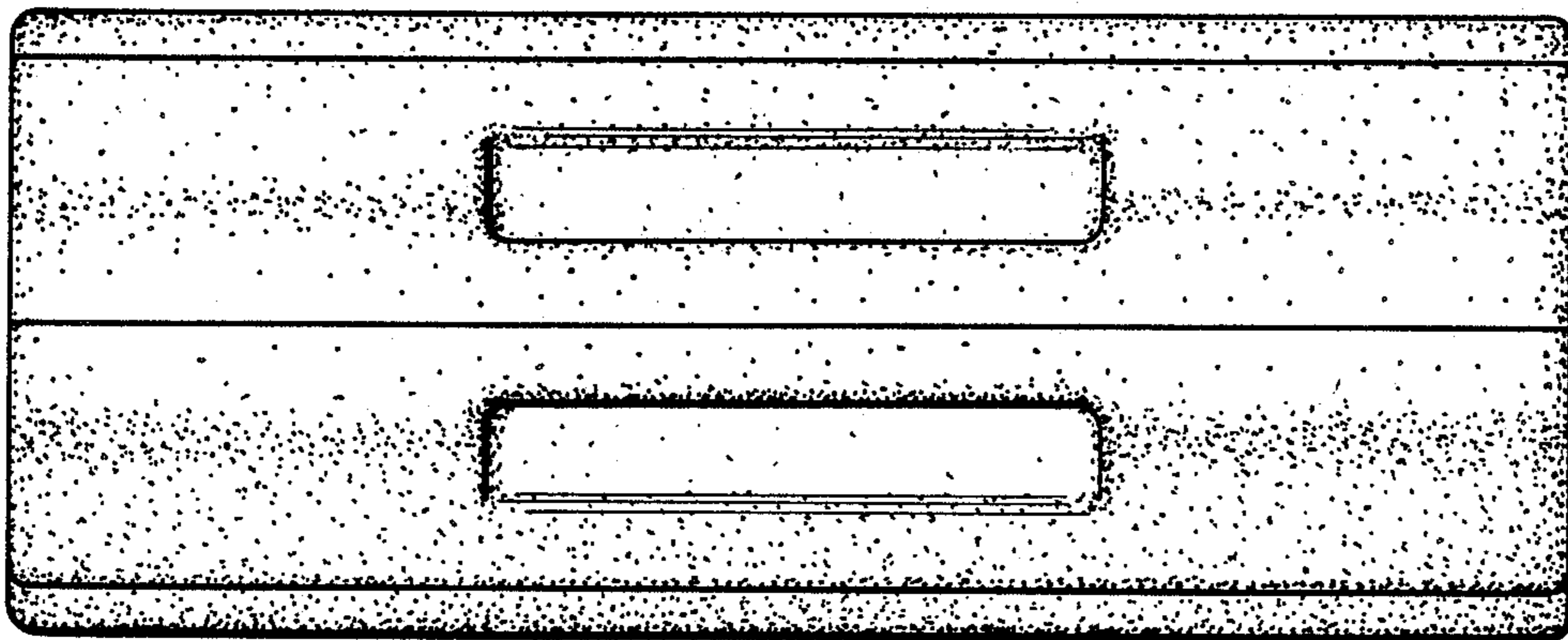


FIG. 2.

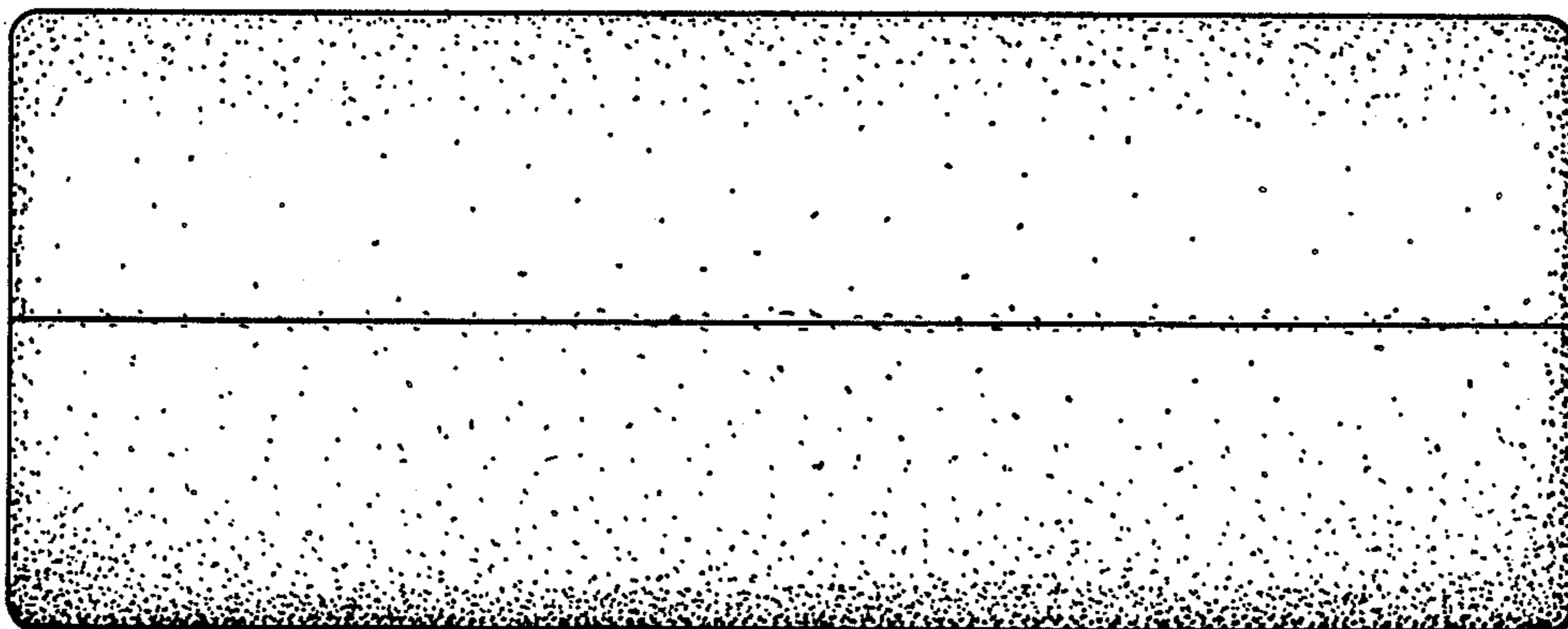


FIG. 3.

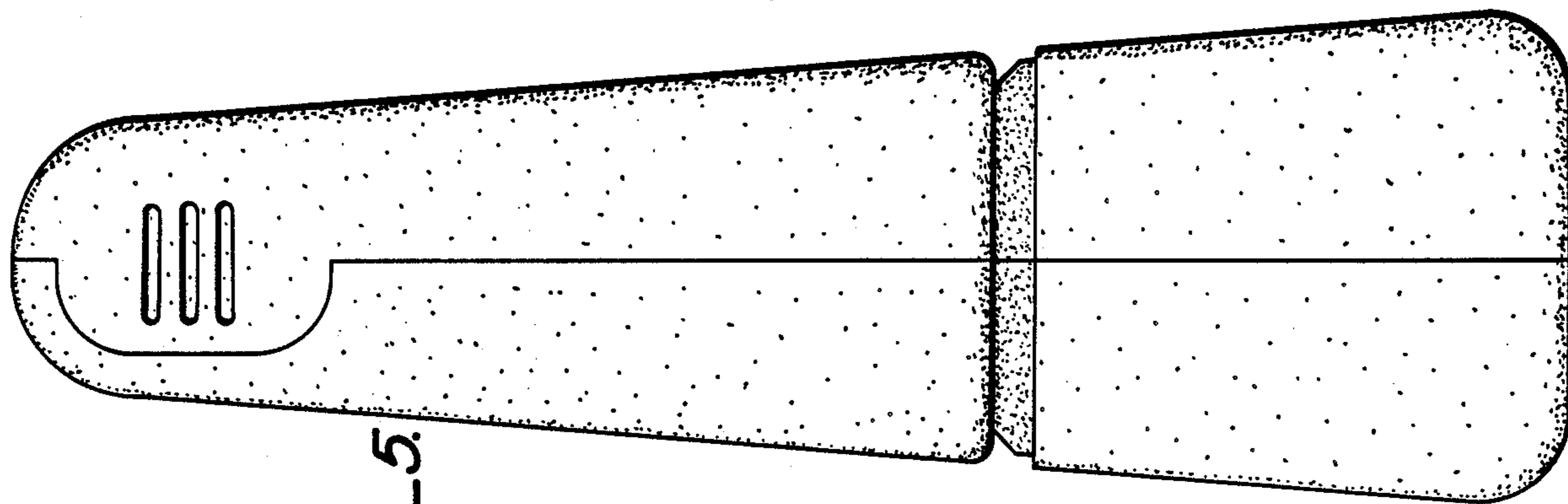


FIG.-5.

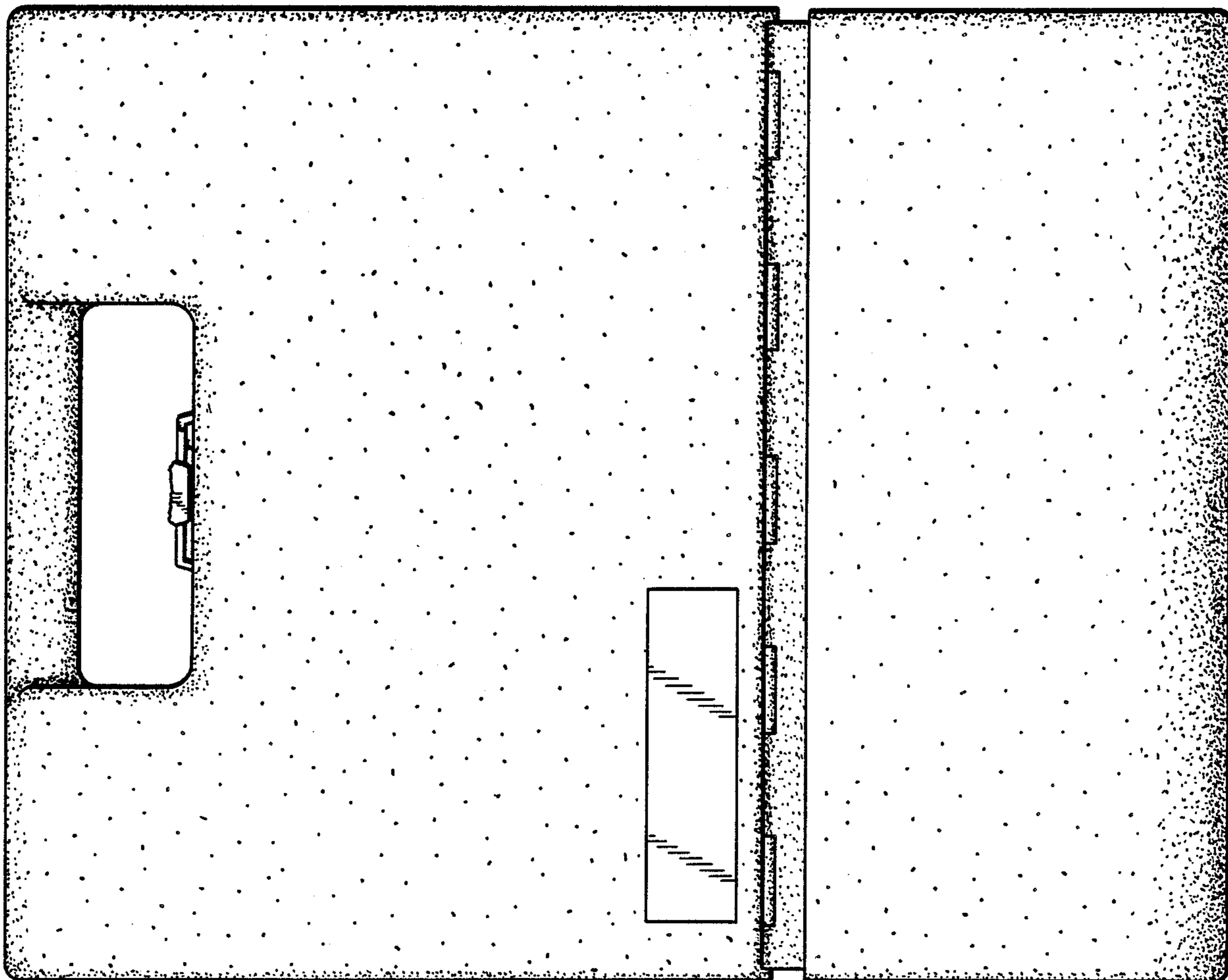


FIG.-4.

