

[54] TONGUE DEPRESSOR

[75] Inventors: Herbert L. Robinson, Hoboken; Allen S. Epstein, Clifton, both of N.J.

[73] Assignee: Med-Struments, Inc., Totowa, N.J.

[\*\*] Term: 14 Years

[21] Appl. No.: 47,646

[22] Filed: May 8, 1987

[52] U.S. Cl. .... D24/19

[58] Field of Search ..... D24/19; 128/15, 16, 128/18, 11

[56] References Cited

U.S. PATENT DOCUMENTS

D. 263,743	4/1982	Priestman	.....	D24/19
1,339,711	5/1920	Park	.....	128/16
2,857,908	10/1958	Cornfield	.....	D24/19 X
4,643,172	2/1987	Taff et al.	.....	128/16

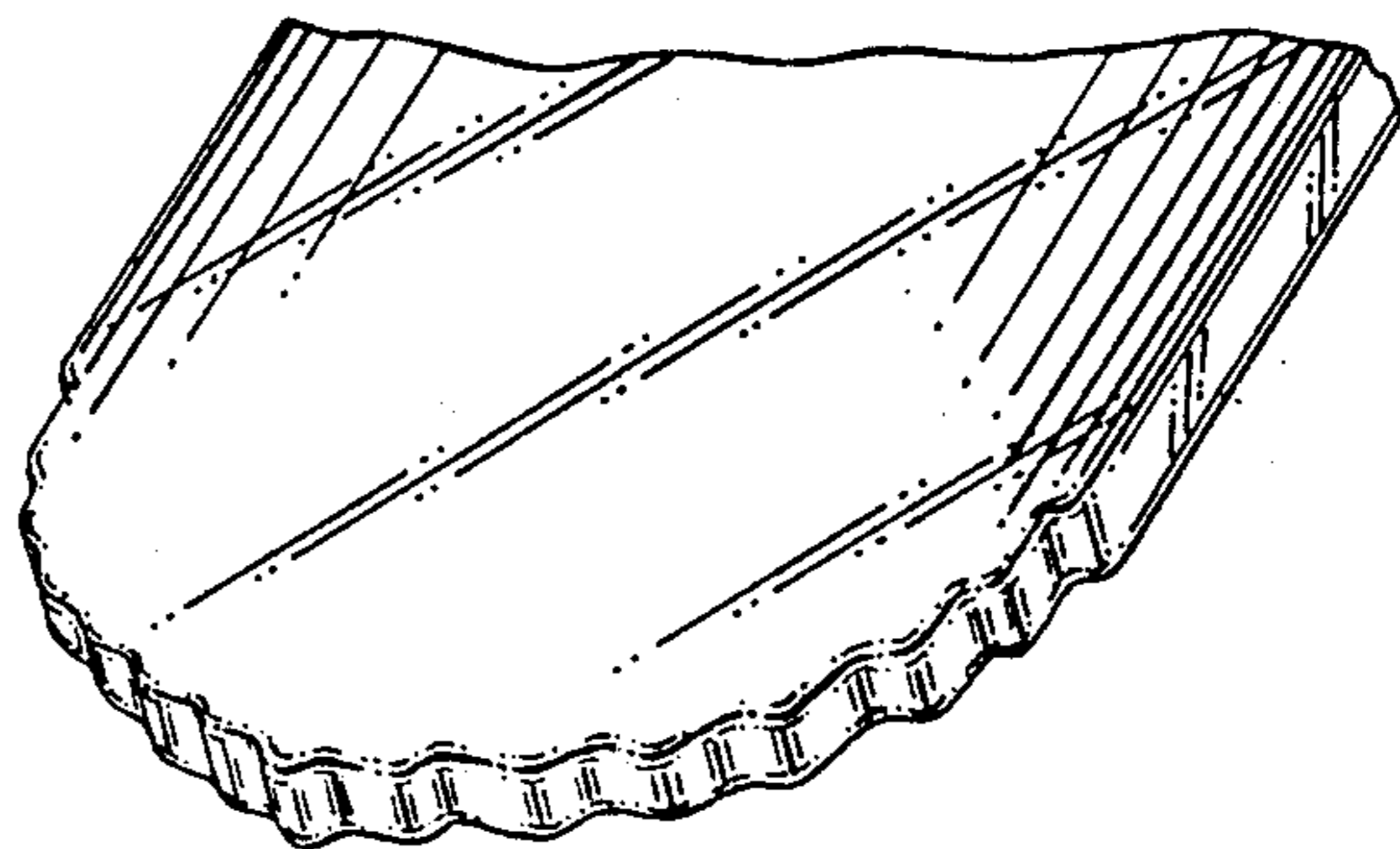
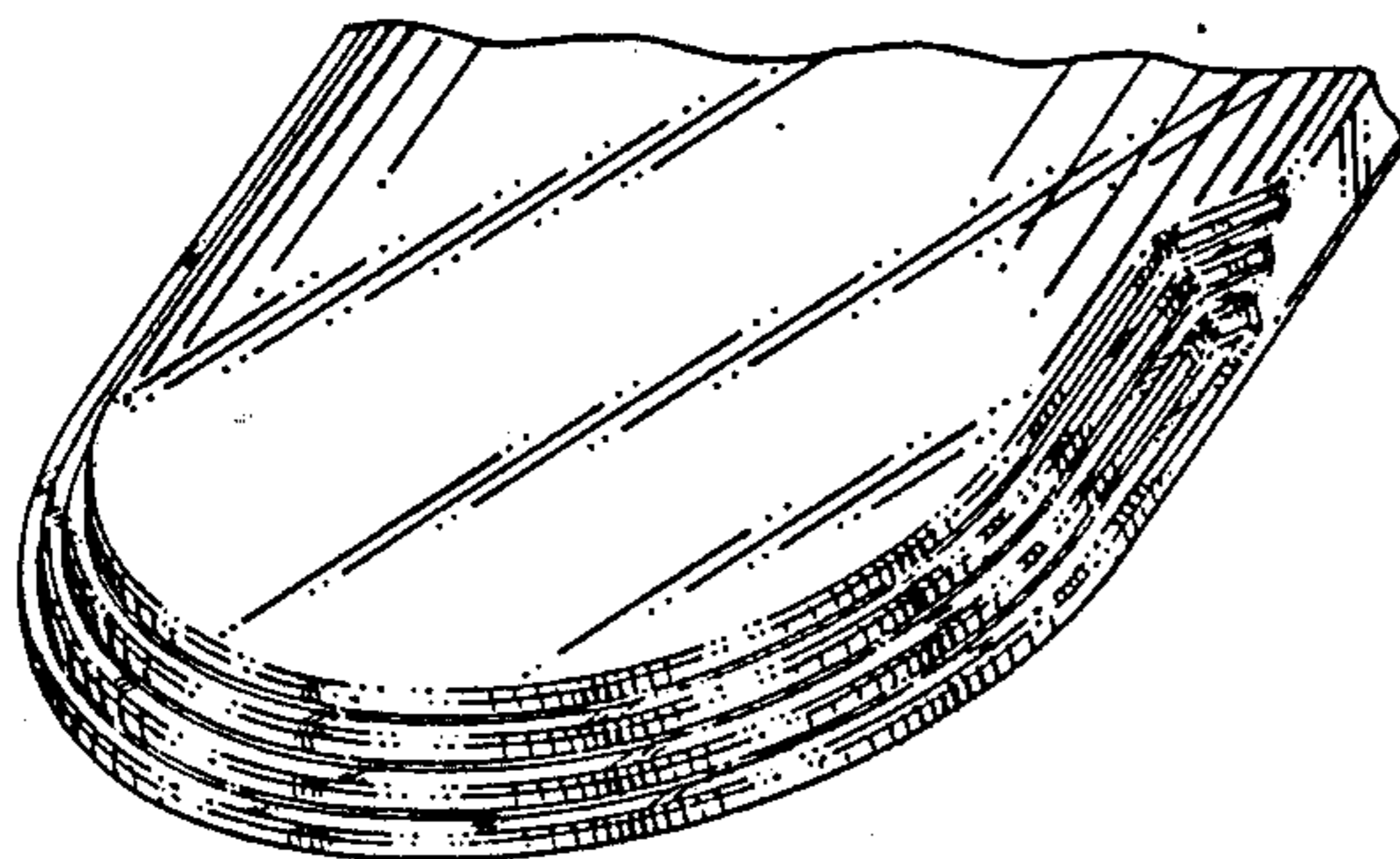
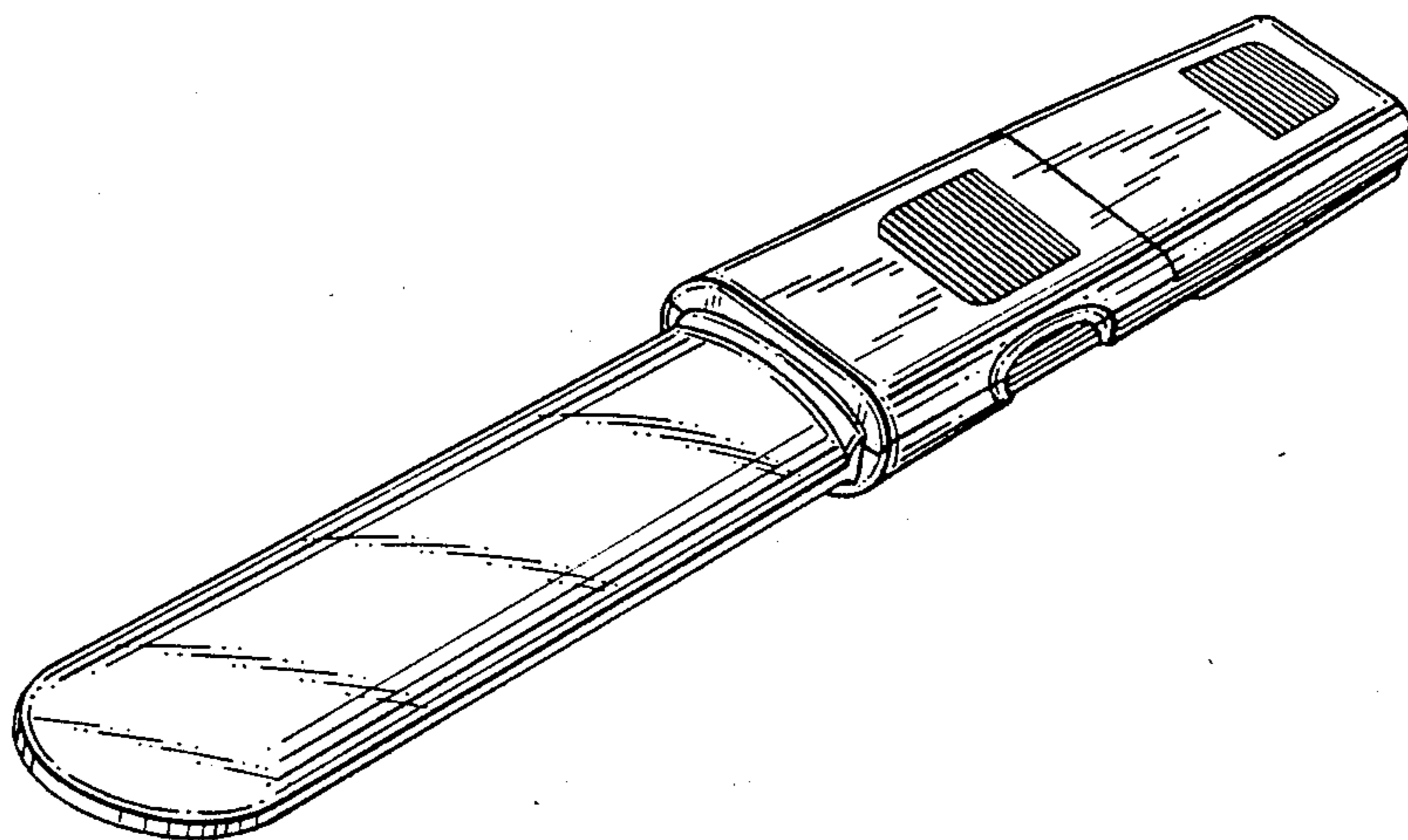
Primary Examiner—Wallace R. Burke  
Assistant Examiner—Stella M. Reid  
Attorney, Agent, or Firm—Samuelson & Jacob

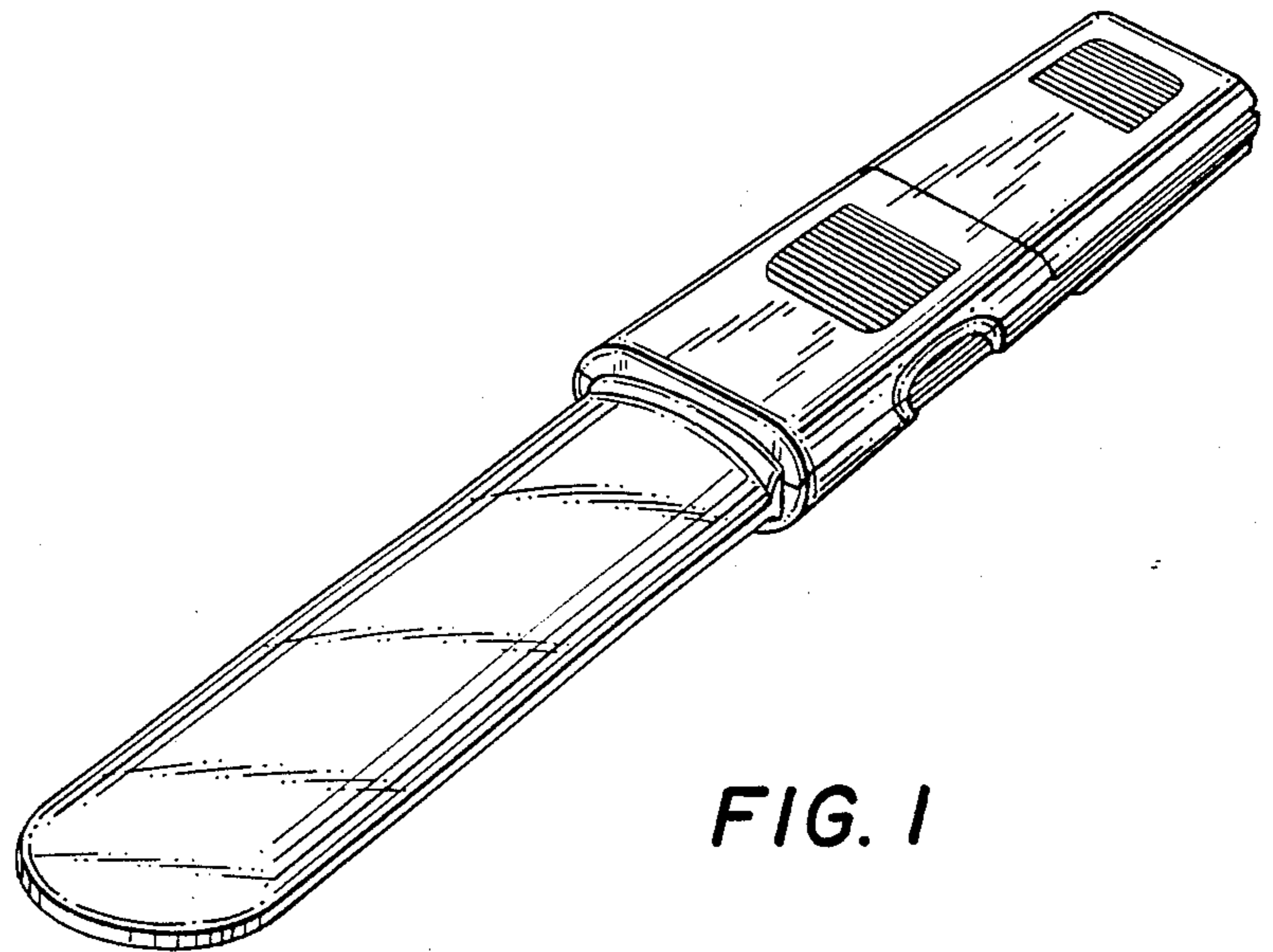
[57] CLAIM

The ornamental design for a tongue depressor, as shown and described.

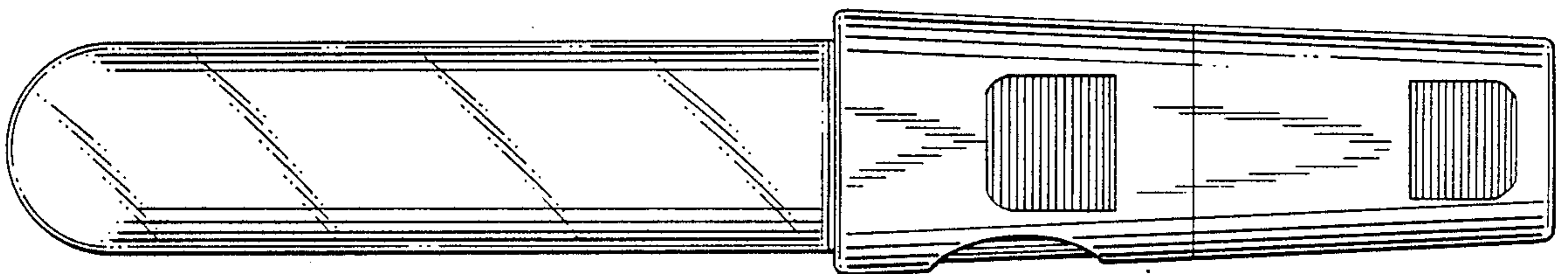
DESCRIPTION

FIG. 1 is a perspective view of a tongue depressor showing our new design;  
FIG. 2 is a top plan view thereof;  
FIG. 3 is a bottom plan view thereof;  
FIG. 4 is a side elevational view thereof;  
FIG. 5 is a side elevational view thereof, opposite that shown in FIG. 4;  
FIG. 6 is a left end elevational view thereof;  
FIG. 7 is a right end elevational view thereof;  
FIG. 8 is an enlarged fragmentary perspective view of a second embodiment of the tongue depressor wherein the only difference resides in the appearance of the tip portion, the remaining portions being identical to that shown in FIGS. 1-7; and  
FIG. 9 is an enlarged fragmentary perspective view of a third embodiment of the tongue depressor wherein the only difference resides in the appearance of the tip portion, the remaining portions being identical to that shown in FIGS. 1-7.

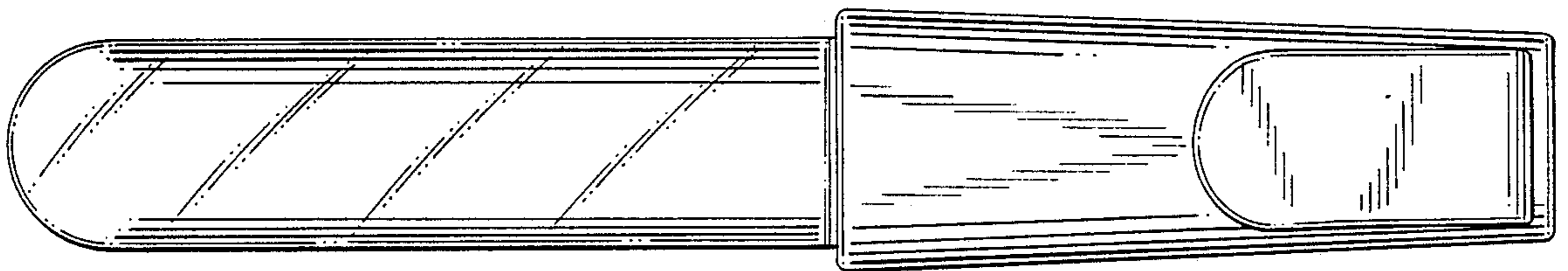




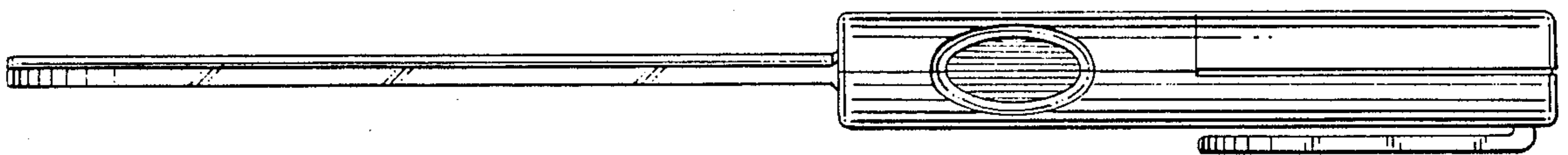
**FIG. 1**



**FIG. 2**



**FIG. 3**



**FIG. 4**

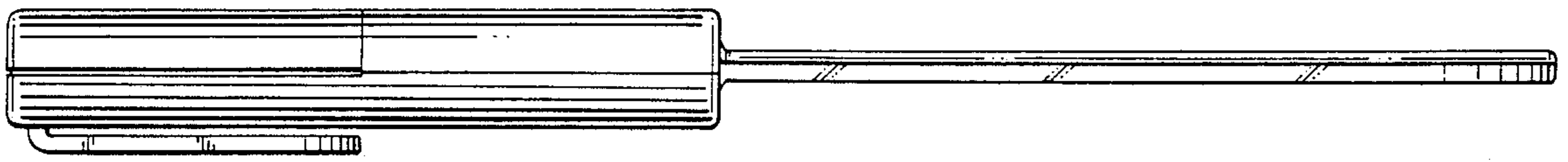


FIG. 5

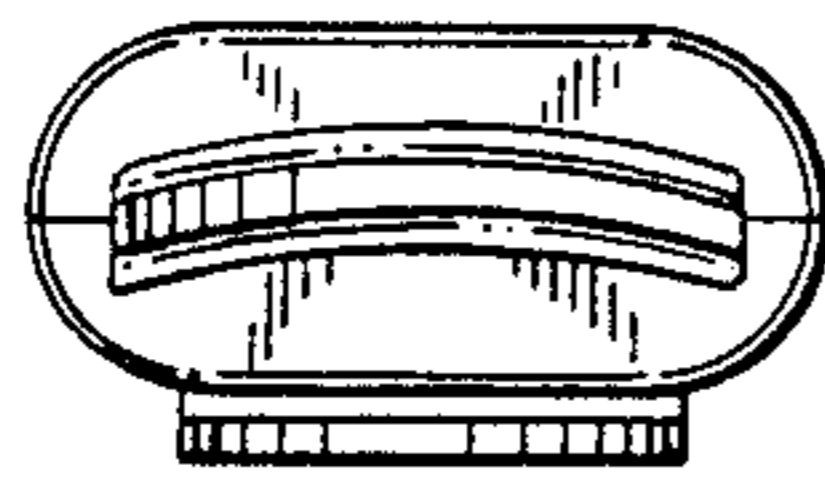


FIG. 6

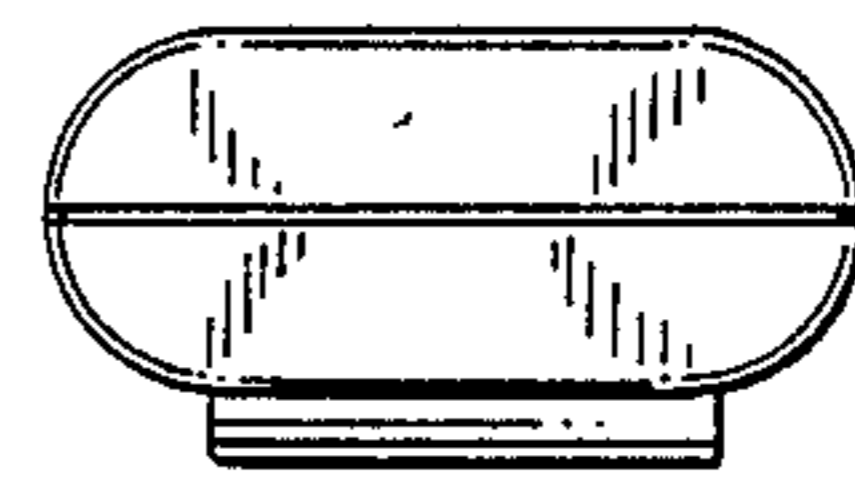


FIG. 7

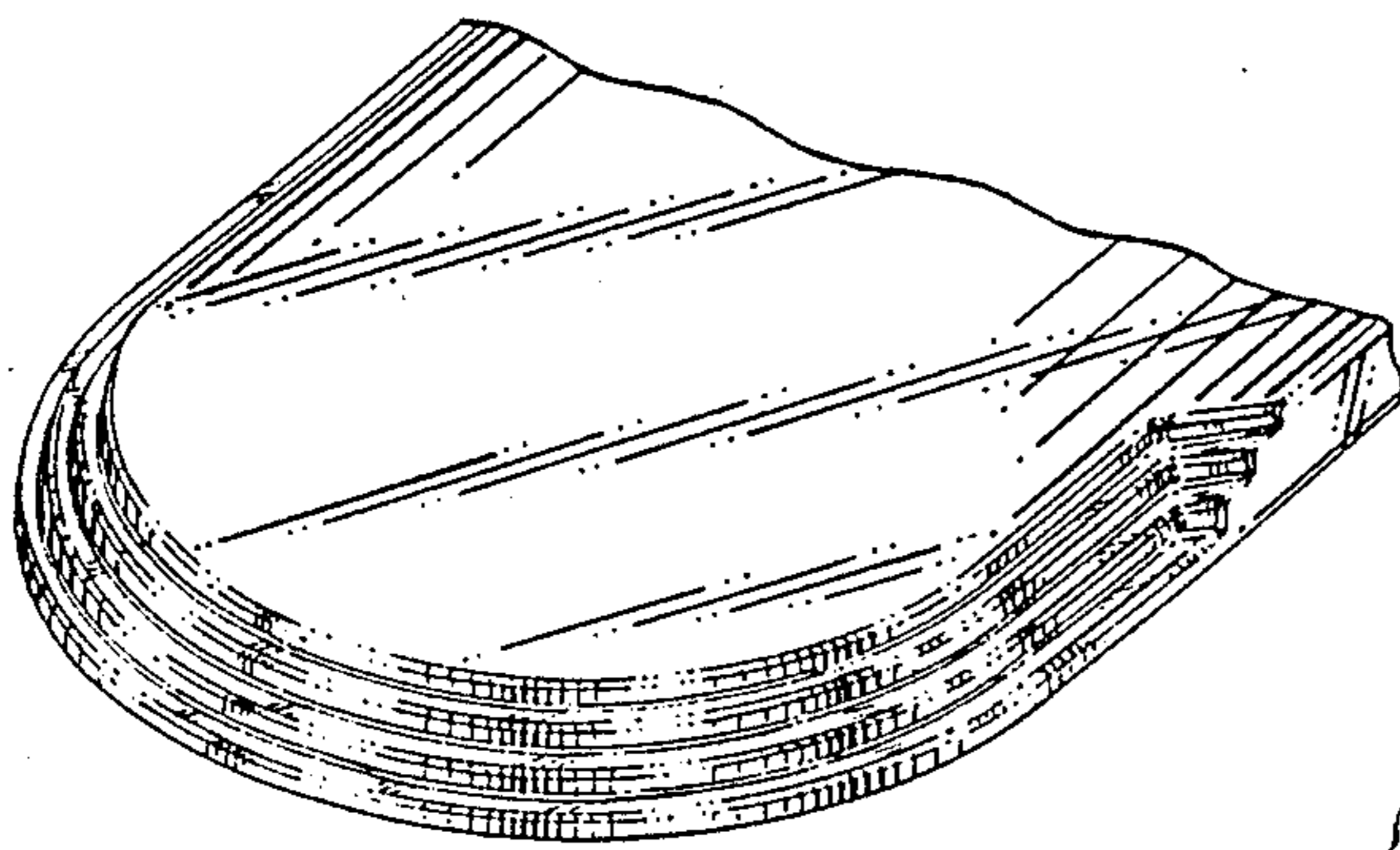


FIG. 8

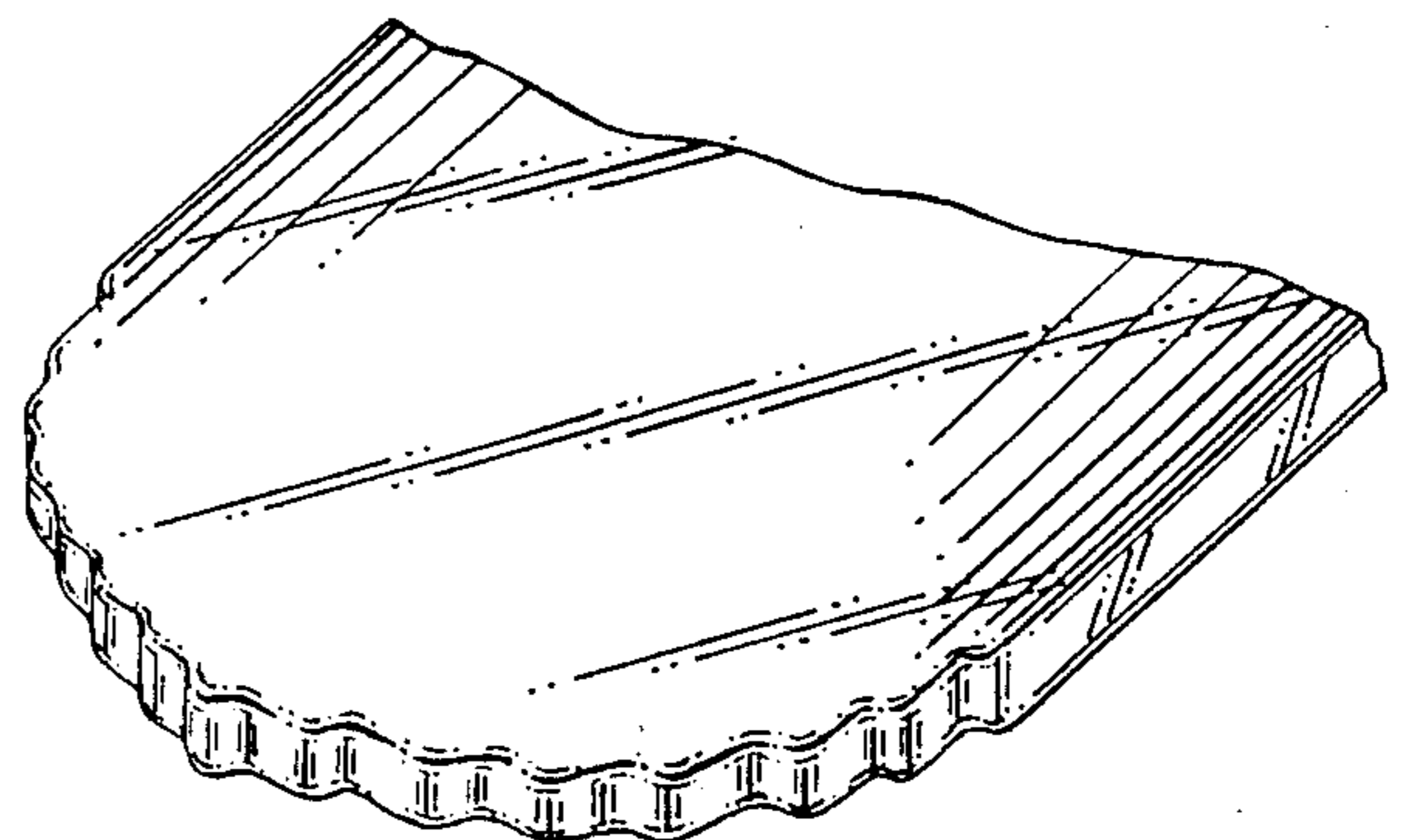


FIG. 9