

[54] AMBULATORY ECG CABINET

[75] Inventors: **Ralph E. Forland; Kail R. Peterson,**  
both of McMinnville, Oreg.

[73] Assignee: **Hewlett-Packard Company,** Palo  
Alto, Calif.

[\*\*] Term: **14 Years**

[21] Appl. No.: **19,992**

[22] Filed: **Feb. 27, 1987**

[52] U.S. Cl. .... **D24/17**

[58] Field of Search ..... **D24/17, 8, 21; 128/695,**  
**128/696, 710-712; D10/46, 75, 78, 80, 57, 60**

[56] **References Cited**

**U.S. PATENT DOCUMENTS**

D. 257,285	10/1980	Rawson et al. ....	D24/17
D. 260,173	8/1981	Wiebe .....	D24/17
D. 268,173	3/1983	Guetschow et al. ....	D10/78
D. 283,803	5/1986	Zonn .....	D10/78 X
4,535,783	8/1985	Marangoni .....	128/696 X
4,596,256	6/1986	Ascher et al. ....	128/710
4,624,263	11/1986	Slavin .....	128/710

**OTHER PUBLICATIONS**

Medical Electronics & Equipment News, Oct. 1985;  
"Holter Monitor Marketplace".

Advances for Medicine, Jul., 1986, vol. 8, No. 1, "HP  
Enters Ambulatory ECG Market With New On-Pa-  
tient Analysis System".

*Primary Examiner*—A. Hugo Word

*Assistant Examiner*—Stella M. Reid

[57] **CLAIM**

The ornamental design for an ambulatory ECG cabinet,  
as shown and described.

**DESCRIPTION**

FIG. 1 is a front elevational view of an ambulatory  
ECG cabinet showing our new design;

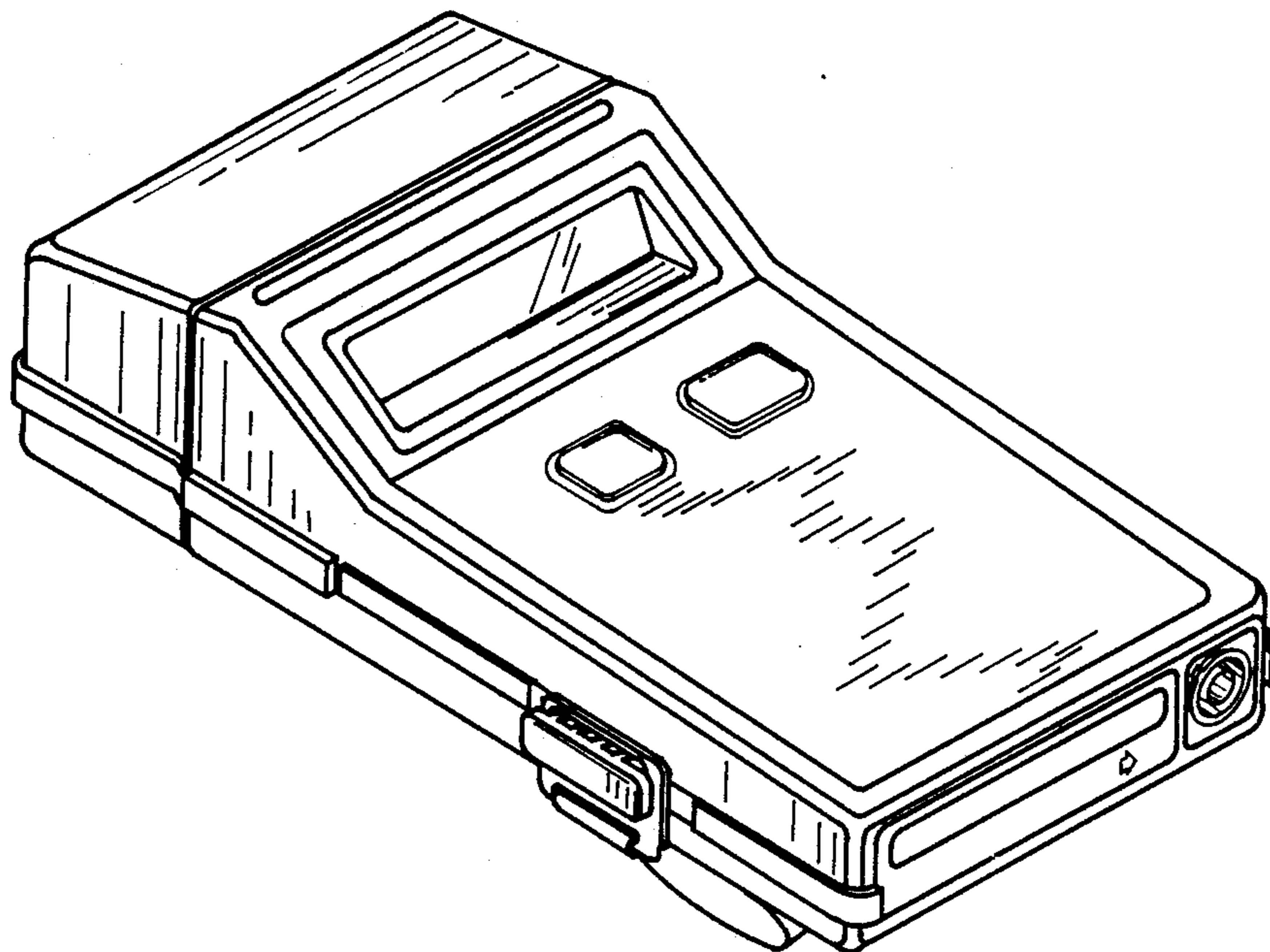
FIG. 2 is a left-side elevational view thereof, the oppo-  
site side being a mirror image;

FIG. 3 is a top plan view thereof;

FIG. 4 is a bottom plan view thereof;

FIG. 5 is a rear elevational view thereof; and

FIG. 6 is a top, front perspective view thereof.



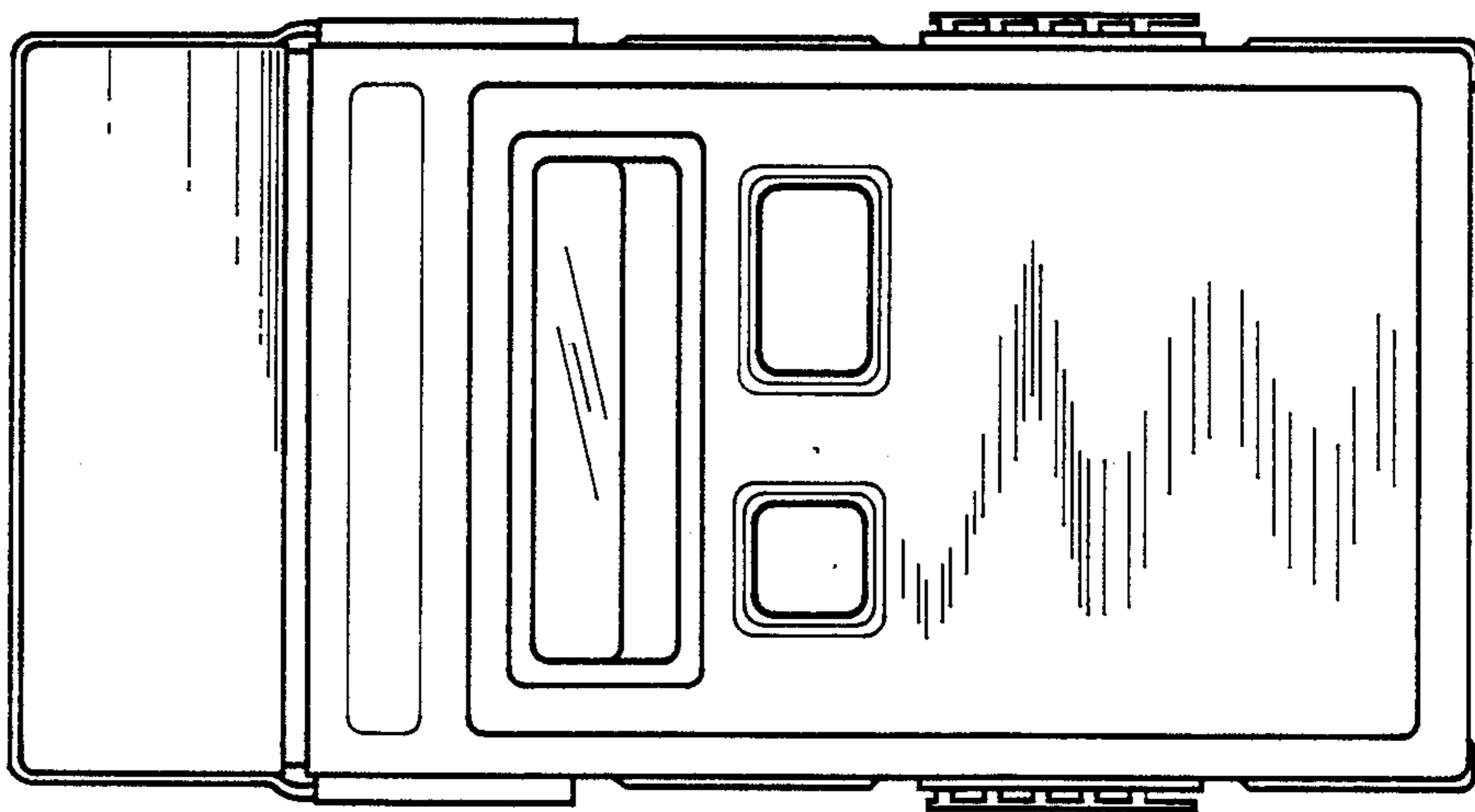


FIG 1

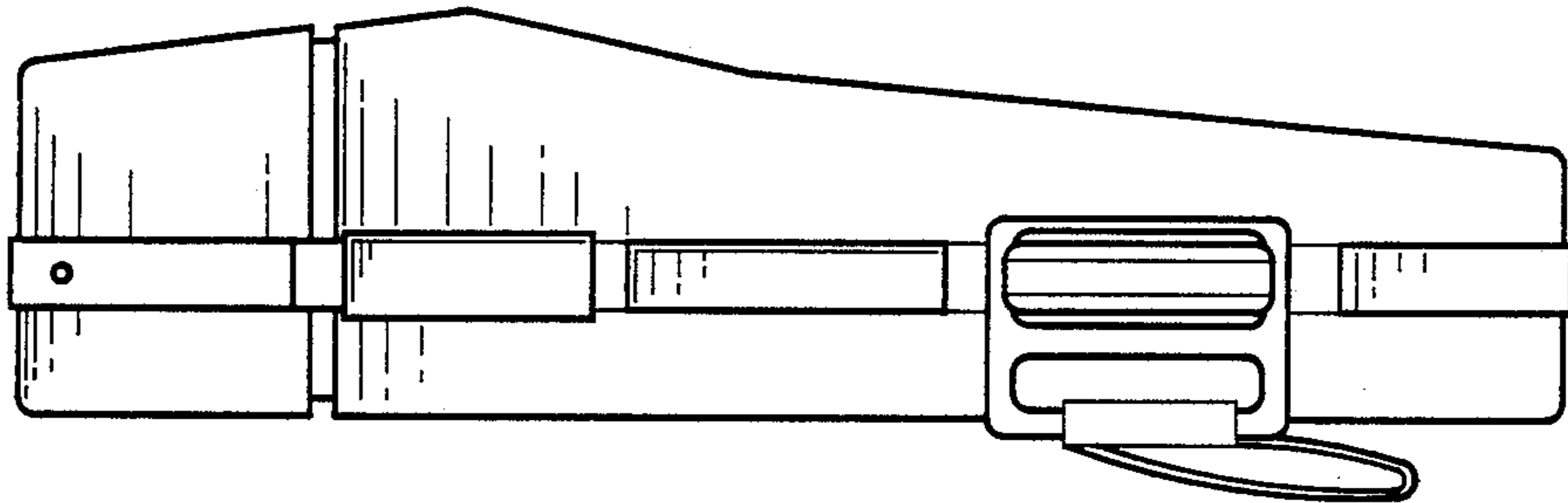


FIG 2

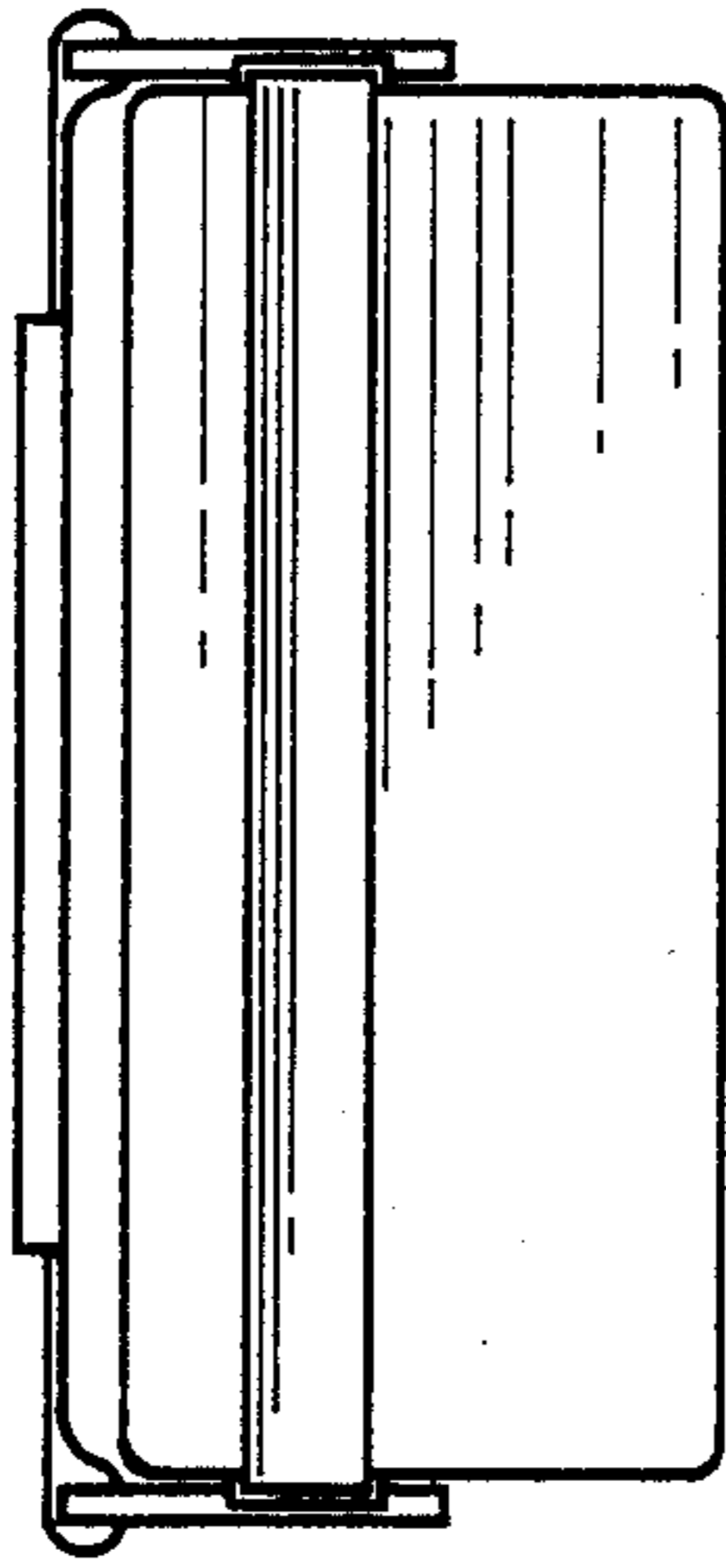


FIG 3

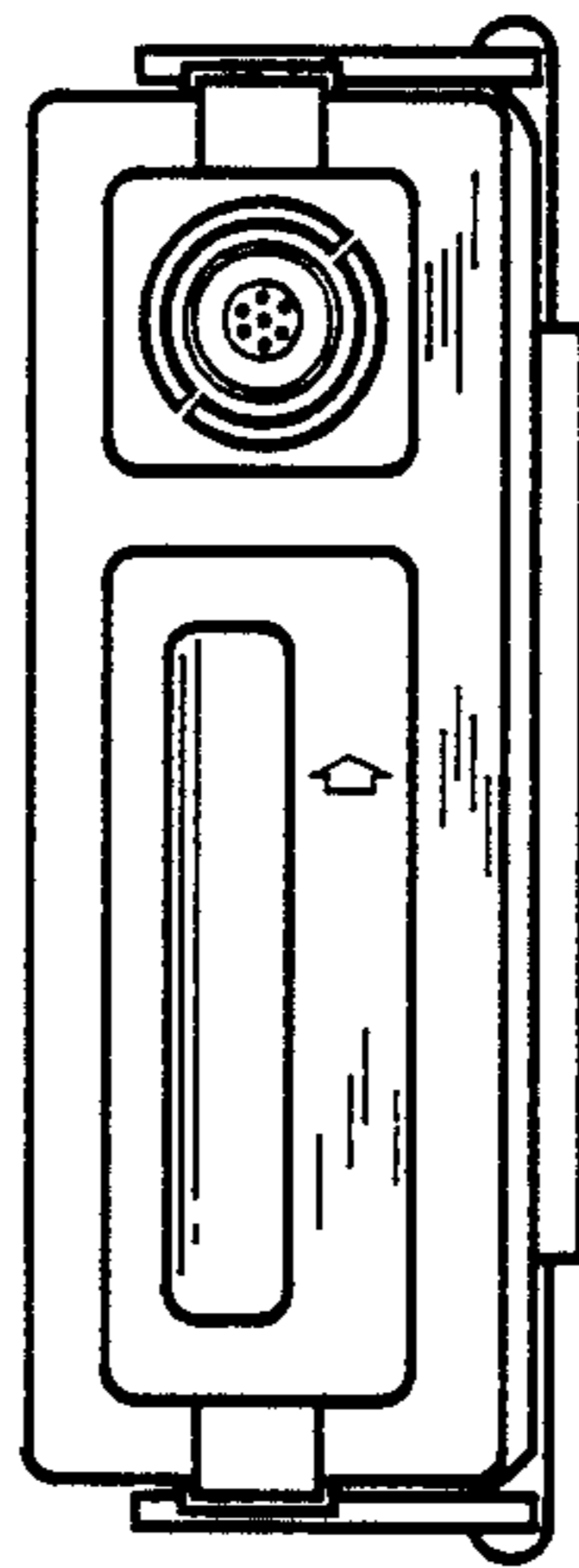


FIG 4

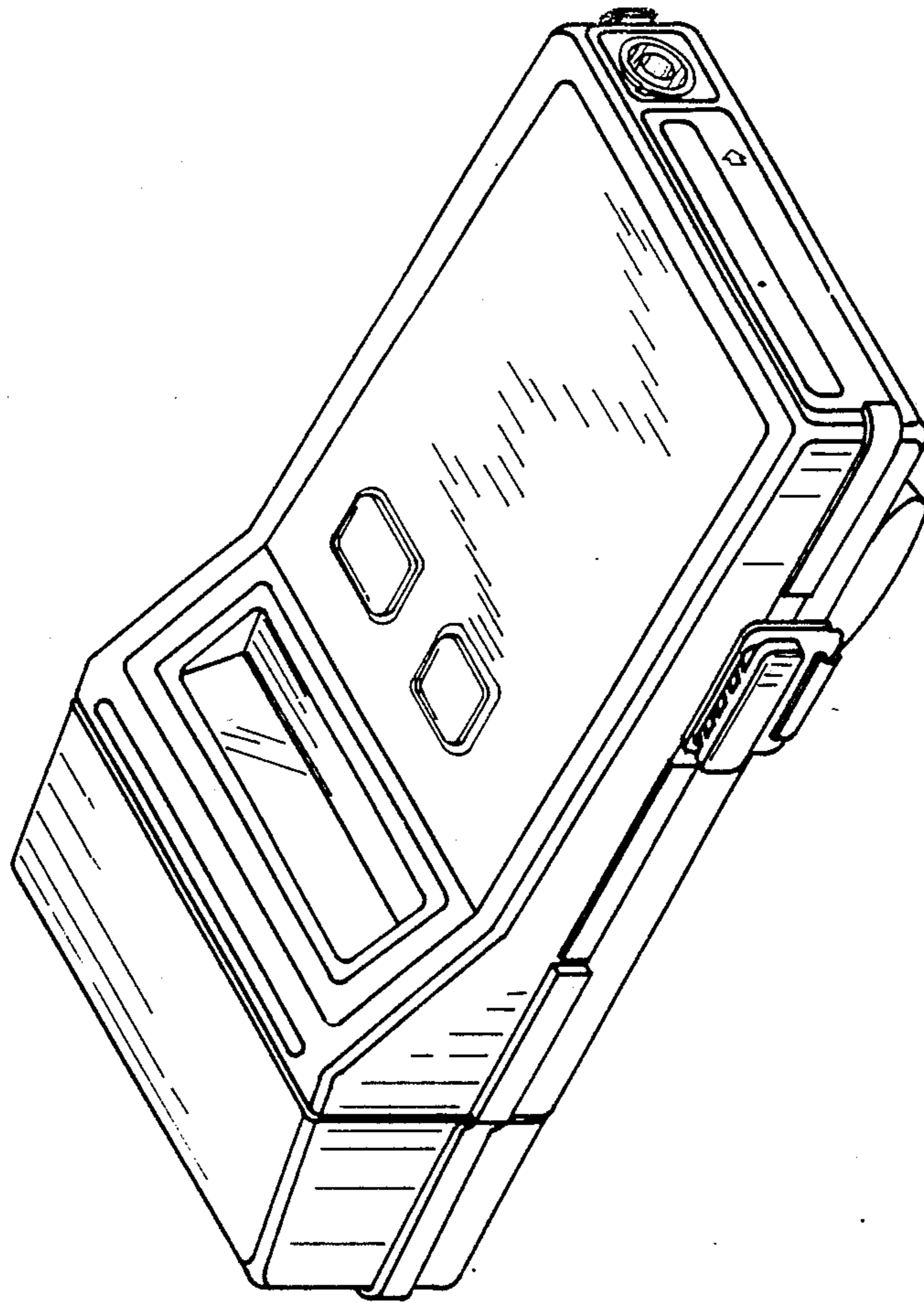


FIG 6

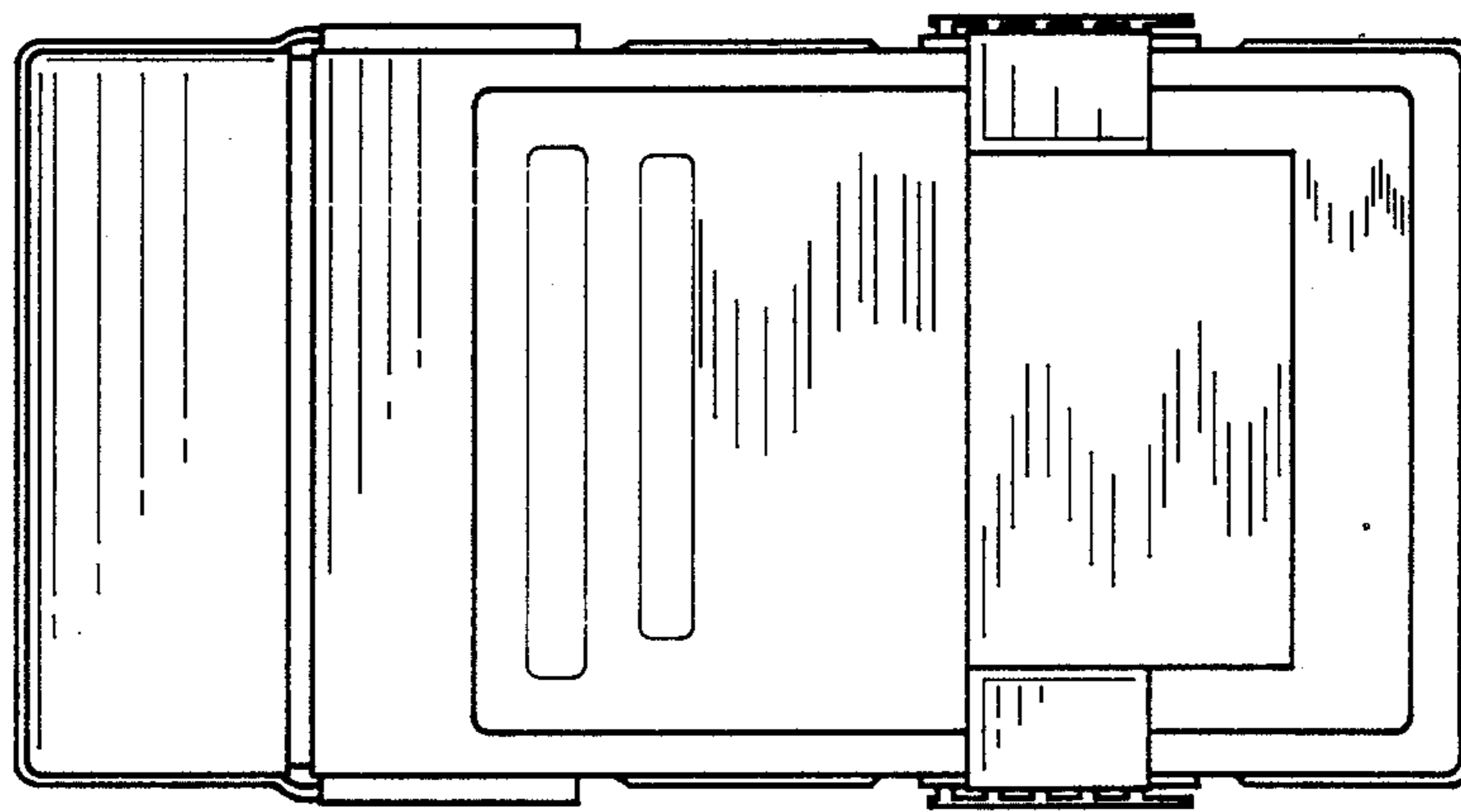


FIG 5