

[54] BURNING CHAMBER FOR FIREPLACES

[75] Inventor: Niels E. Heger, Jessheim, Norway

[73] Assignee: A/S Jotul, Oslo, Norway

[**] Term: 14 Years

[21] Appl. No.: 91,502

[22] Filed: Aug. 31, 1987

[30] Foreign Application Priority Data

Mar. 12, 1987 [NO] Norway 68122

[52] U.S. Cl. D23/344

[58] Field of Search D23/343-350;
126/58, 60-66, 85 R, 120-122, 126, 138-144,
152, 164-165, 190, 198, 200

[56] References Cited

U.S. PATENT DOCUMENTS

- D. 267,584 1/1983 Hilker D23/344
- D. 279,600 7/1985 Blum D23/349
- D. 284,501 7/1986 Heger D23/344

OTHER PUBLICATIONS

Heatform Fireplaces brochure (1953), p. 21, Model "A" Firebox.

Primary Examiner—Wallace R. Burke
Assistant Examiner—Brian N. Vinson
Attorney, Agent, or Firm—Young & Thompson

[57] CLAIM

The ornamental design for a burning chamber for fireplaces, as shown.

DESCRIPTION

FIG. 1 is a top, side and rear perspective view of a burning chamber for fireplaces, showing my new design;
FIG. 2 is a front elevational view thereof;
FIG. 3 is a rear elevational view thereof;
FIG. 4 is a side elevational view thereof from the side opposite that shown in FIG. 1;
FIG. 5 is a top plan view thereof;
FIG. 6 is a bottom plan view thereof; and
FIG. 7 is a front perspective view thereof.

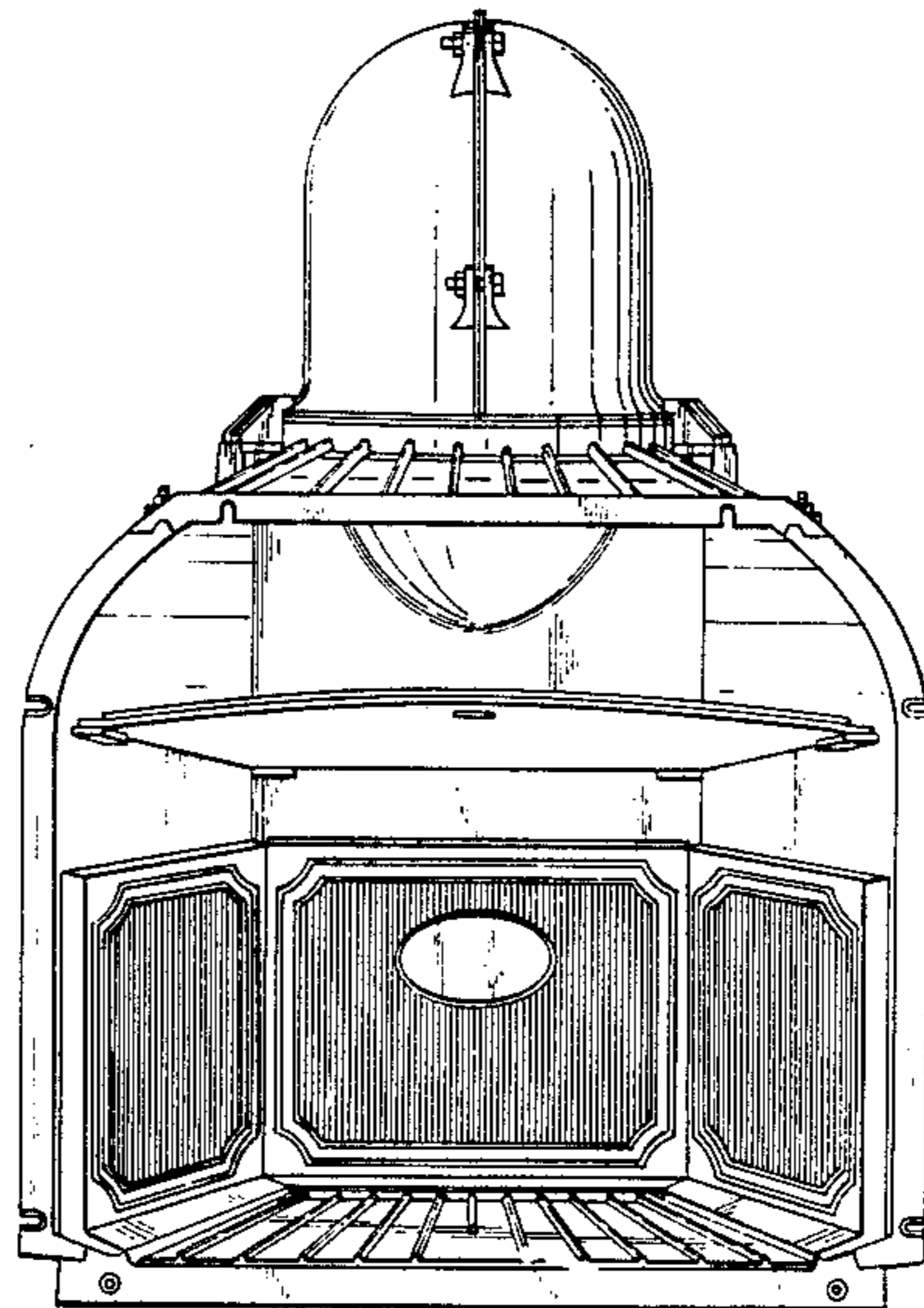
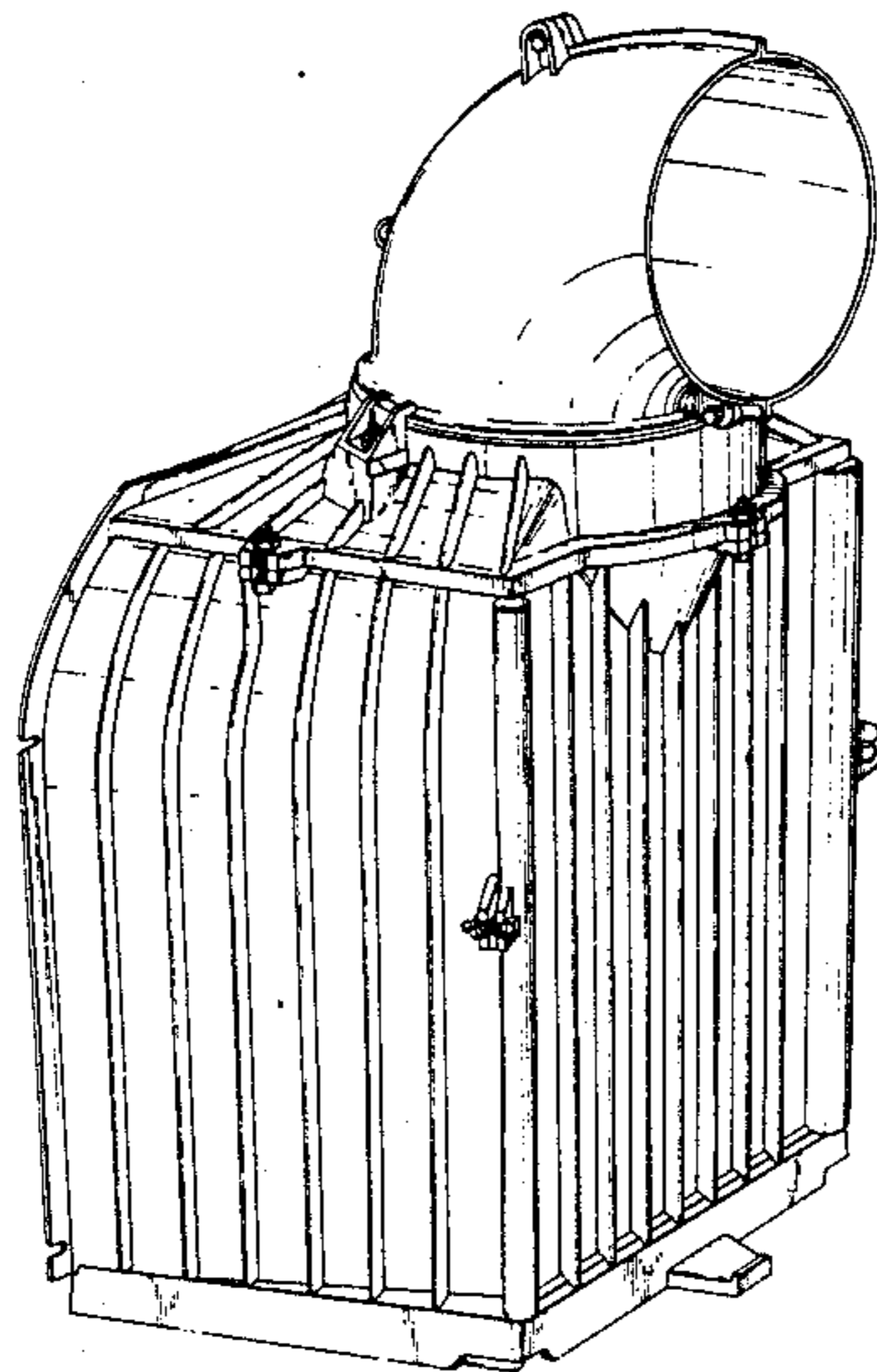


Fig. 1.

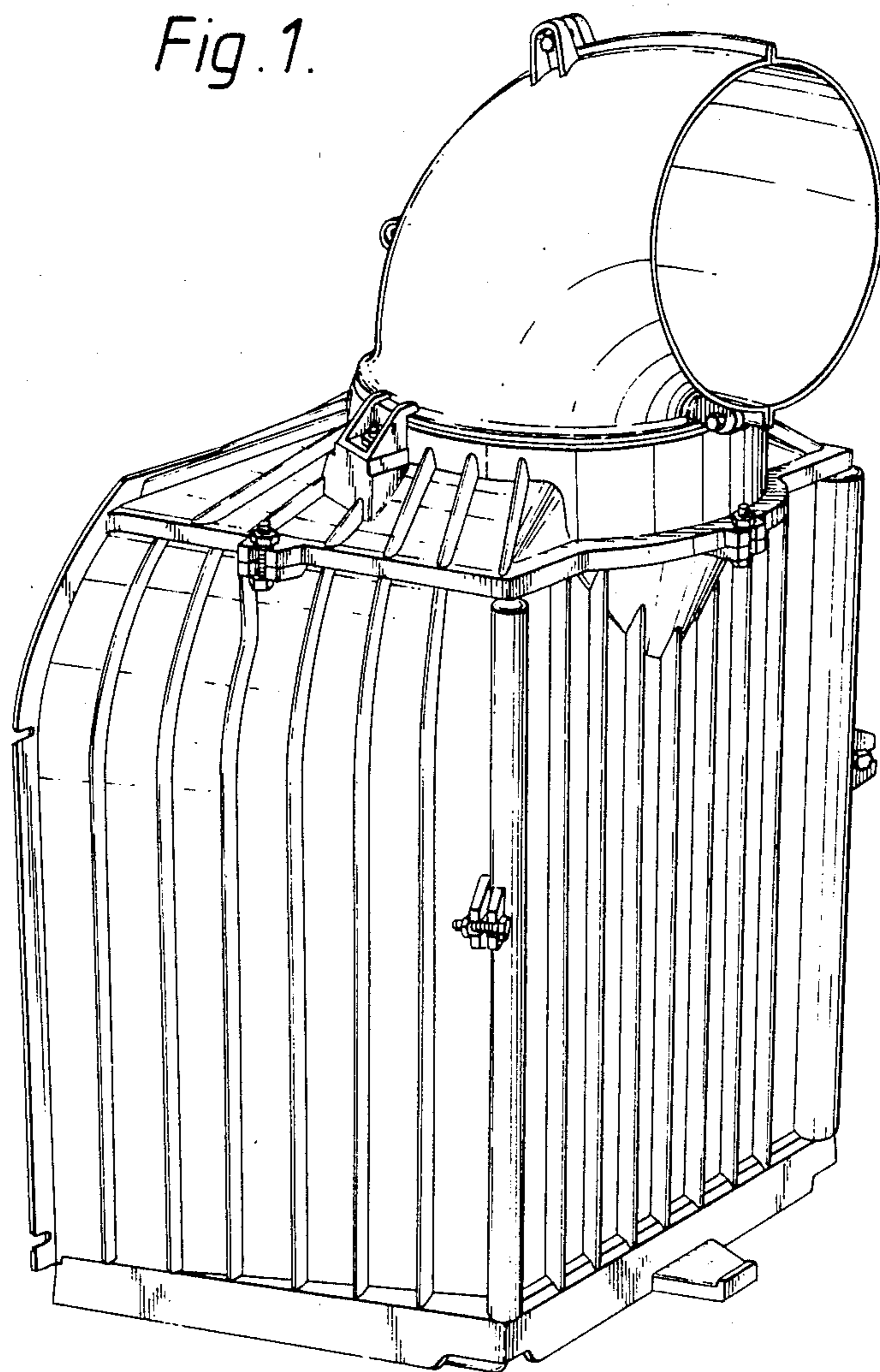


Fig. 2.

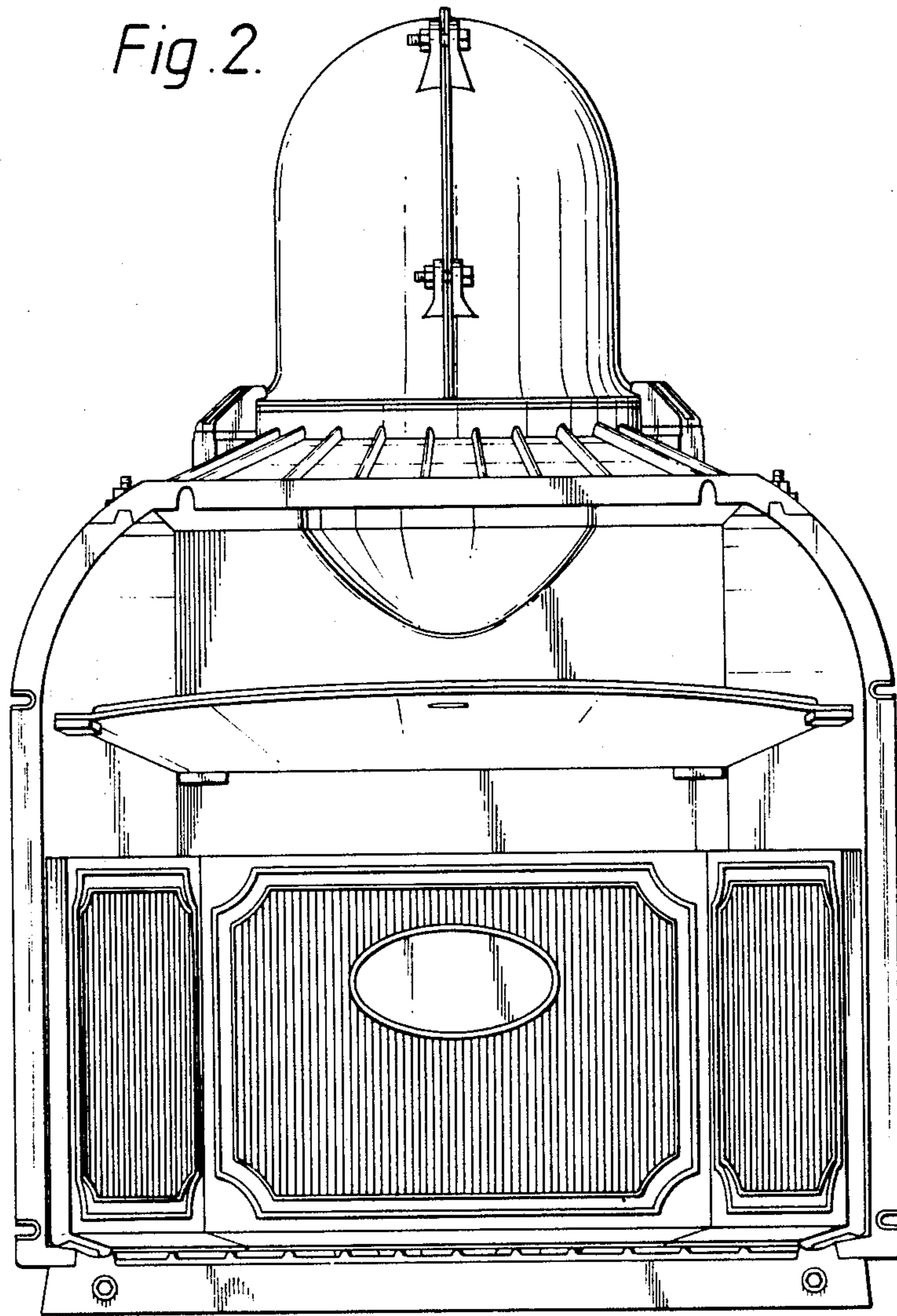


Fig. 3.

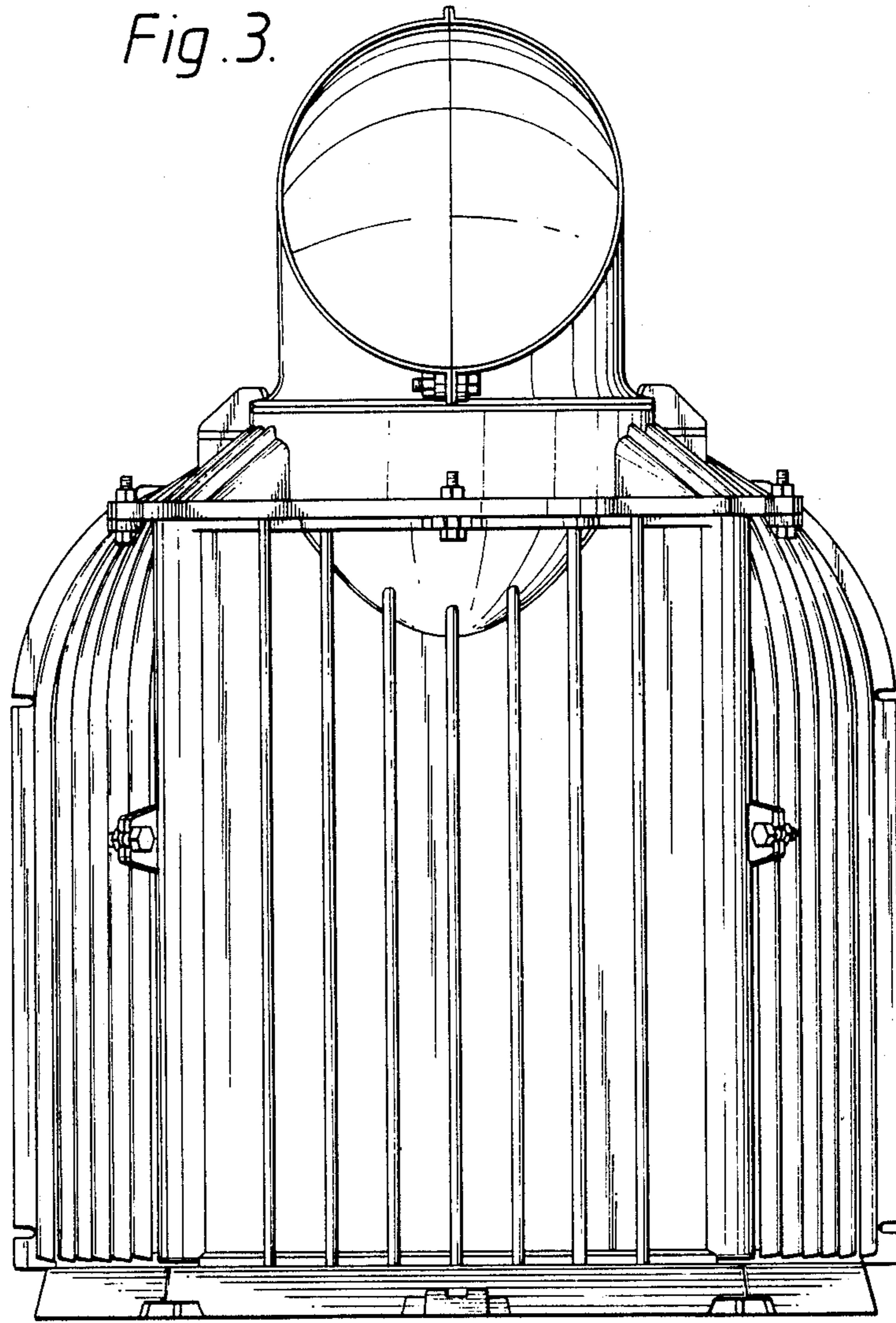


Fig. 4.

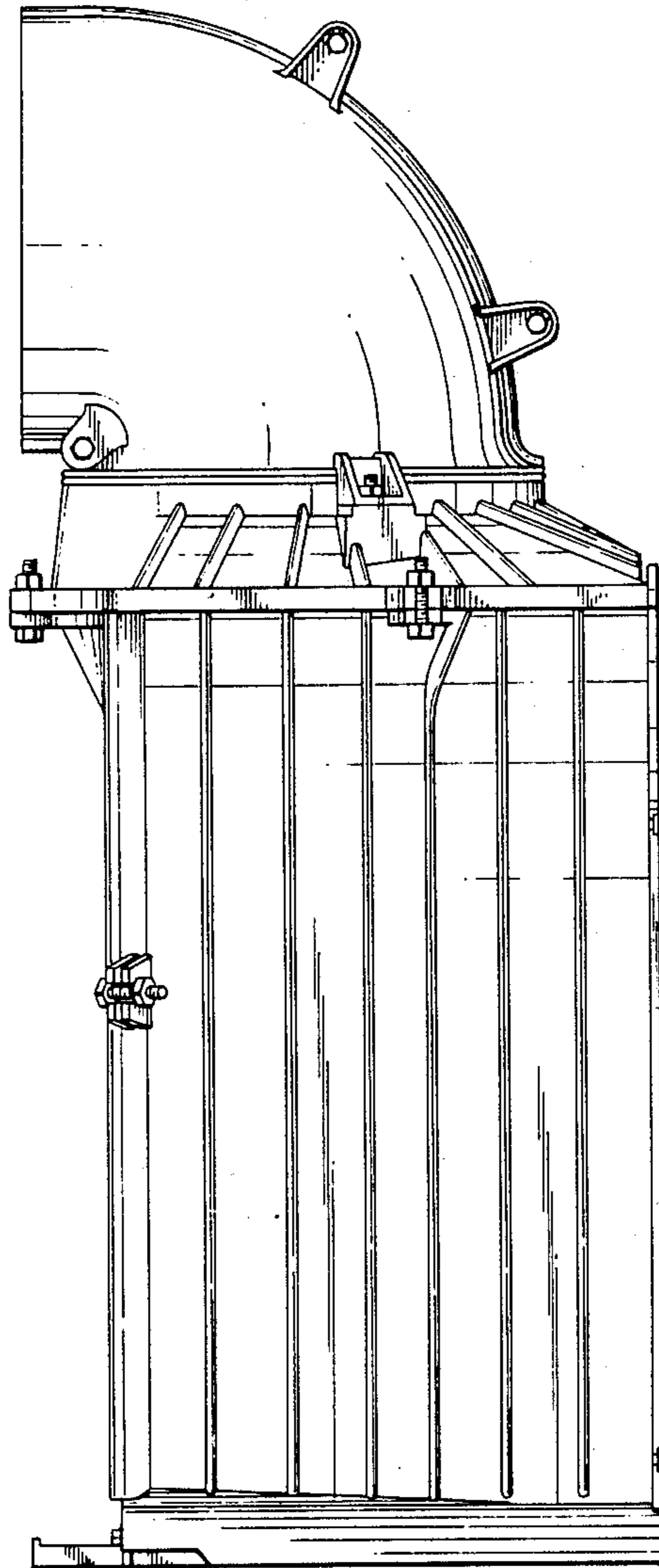


Fig. 5.

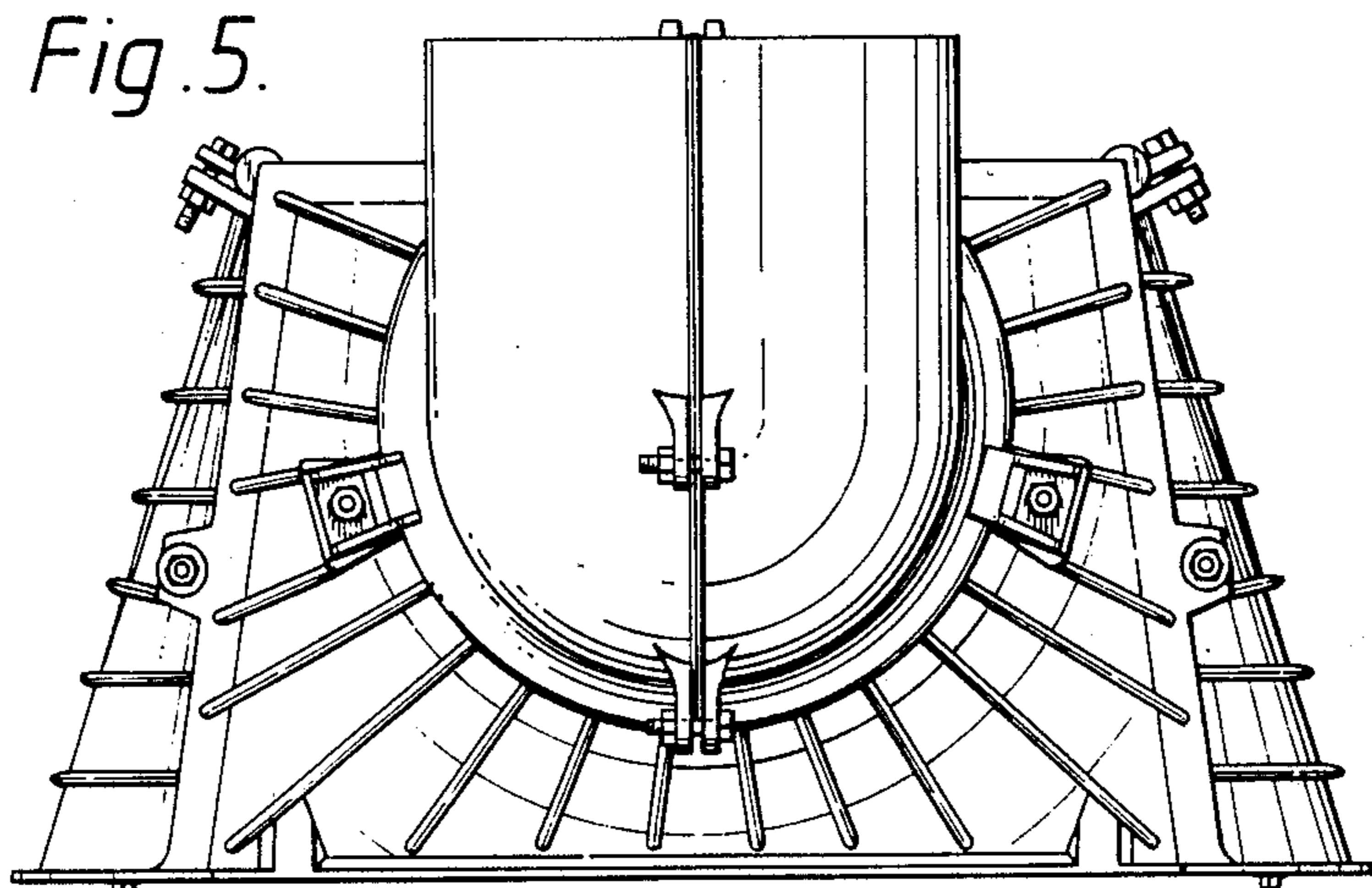


Fig. 6.

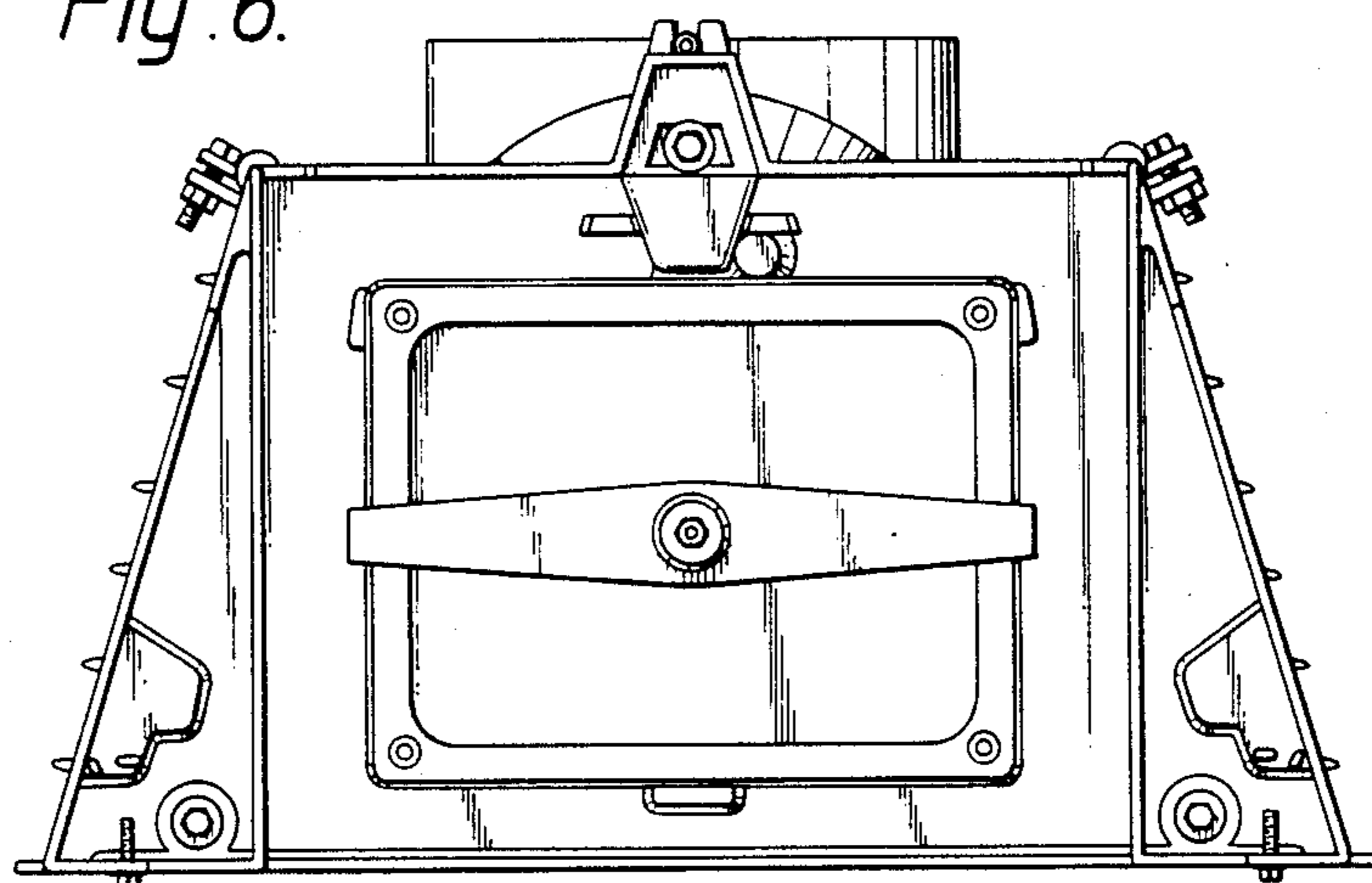


Fig. 7.

