

[54] **LAWN SPRINKLER**

D. 253,904 1/1980 Clearman ..... D23/7

[75] **Inventor: John M. Lang, Oxfordshire, United Kingdom**

**OTHER PUBLICATIONS**

Melnor Turret Sprinkler, "Hardware Age" p. 39, 11/3/60.

[73] **Assignee: Hozelock-ASL Limited, Aylesbury, England**

*Primary Examiner*—Wallace R. Burke  
*Assistant Examiner*—Brian N. Vinson  
*Attorney, Agent, or Firm*—Lee, Mann, Smith, McWilliams & Sweeney

[\*\*] **Term: 14 Years**

[21] **Appl. No.: 800,671**

[57] **CLAIM**

The ornamental design for a lawn sprinkler, as shown and described.

[22] **Filed: Nov. 22, 1985**

[30] **Foreign Application Priority Data**

Jul. 13, 1985 [GB] United Kingdom ..... 1027905

[52] **U.S. Cl. .... D23/214**

[58] **Field of Search .... D23/6-8;**  
239/205, 214.15, 222.13, 225.1, 231, 247, 248,  
390-392

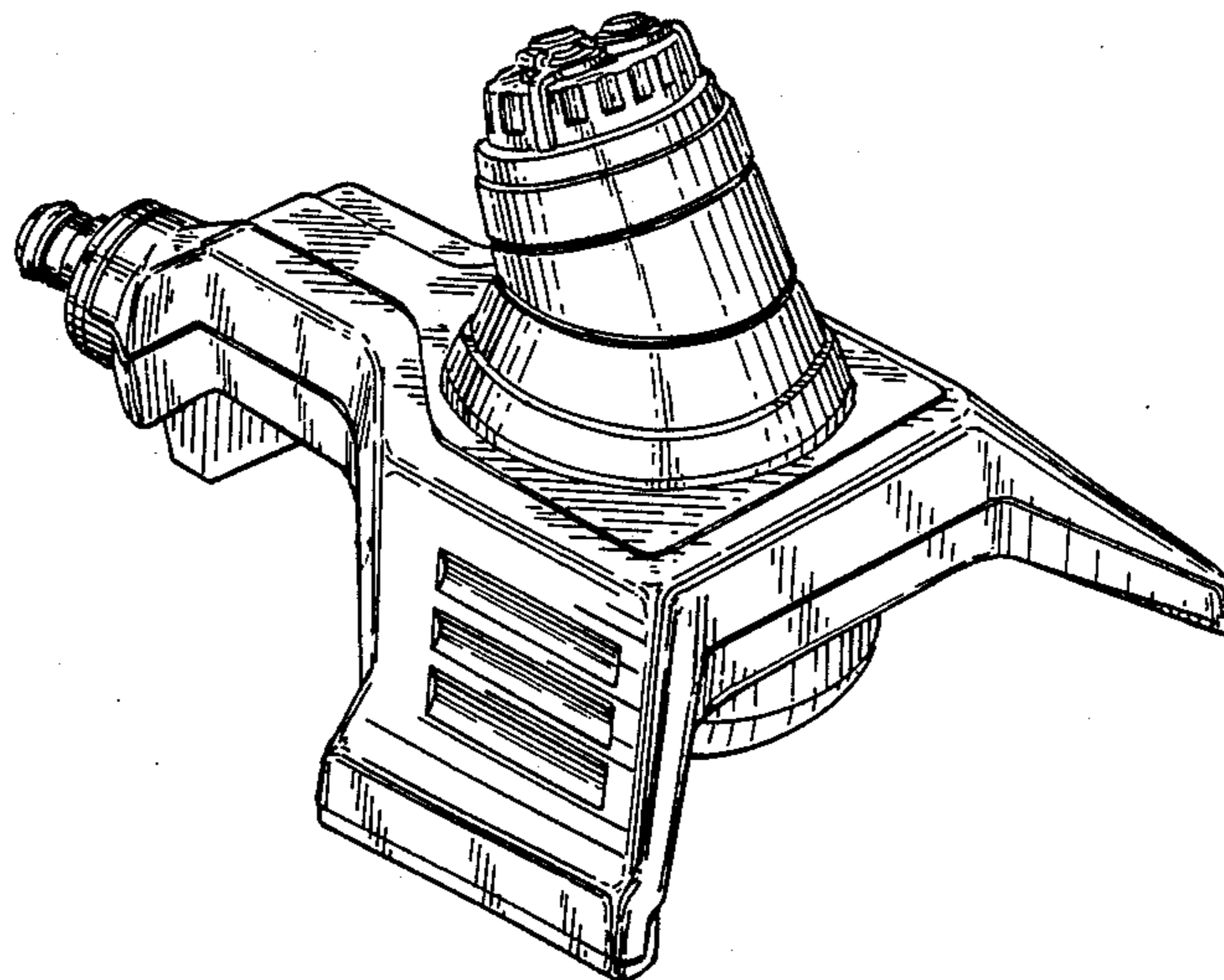
**DESCRIPTION**

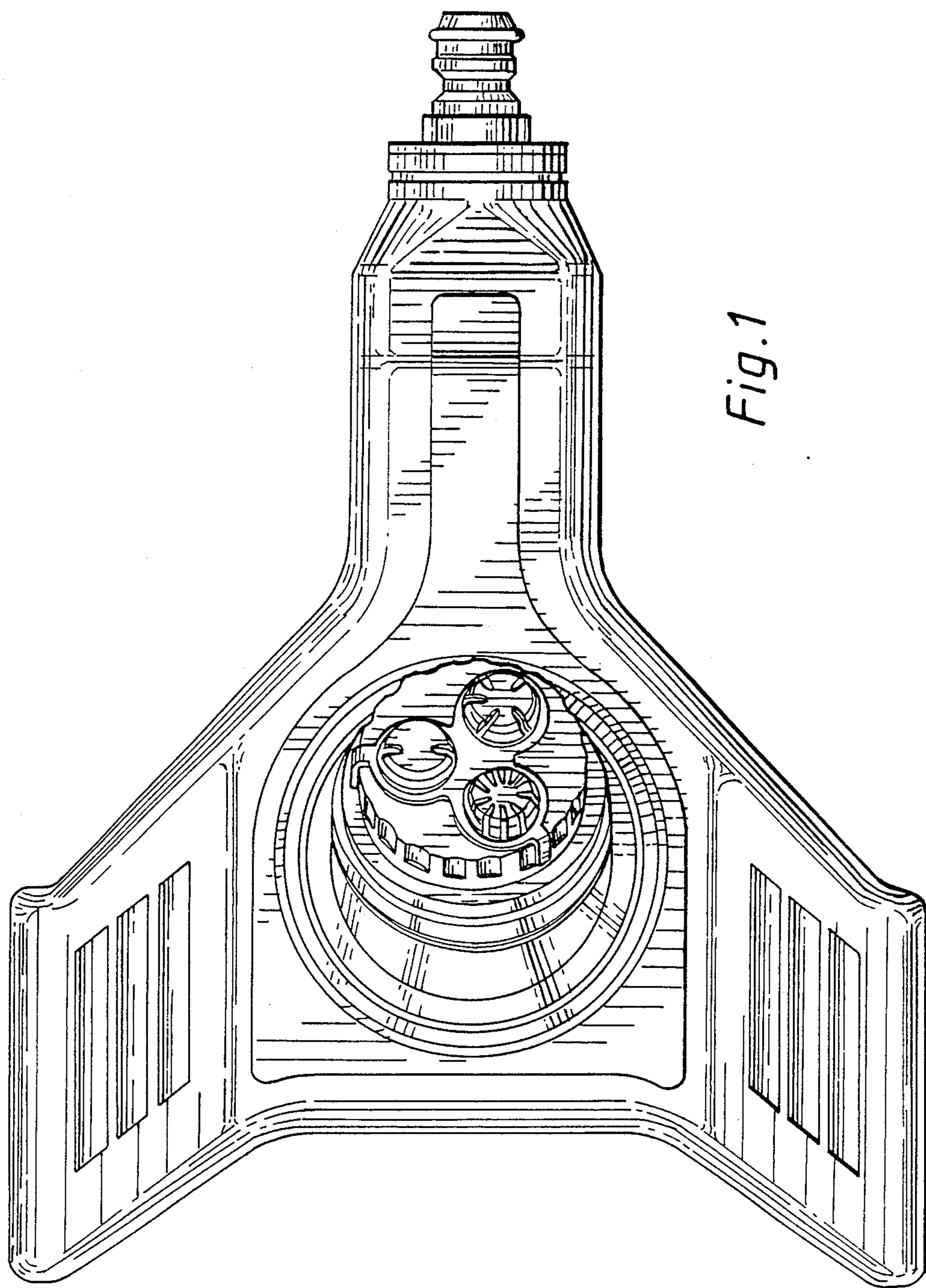
FIG. 1 is a top plan view of a lawn sprinkler showing my new design;  
FIG. 2 is a bottom plan view thereof;  
FIG. 3 is a side elevational view thereof, the opposite side being a mirror image of that shown;  
FIG. 4 is an end elevational view thereof;  
FIG. 5 is an opposite end elevational view thereof; and  
FIG. 6 is a top perspective view thereof.

[56] **References Cited**

**U.S. PATENT DOCUMENTS**

D. 200,041 1/1965 Boyd ..... D23/7





*Fig. 1*

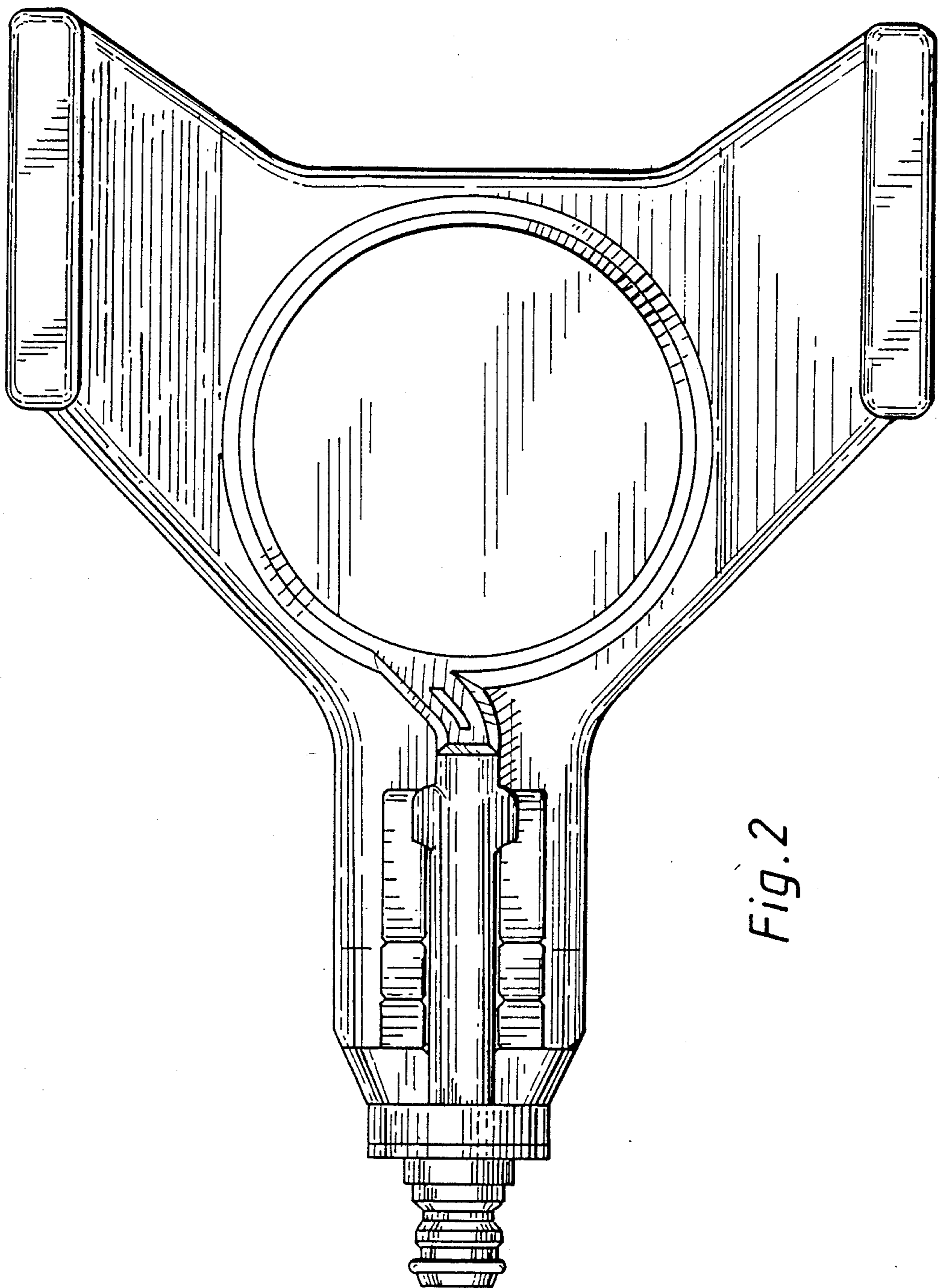


Fig. 2

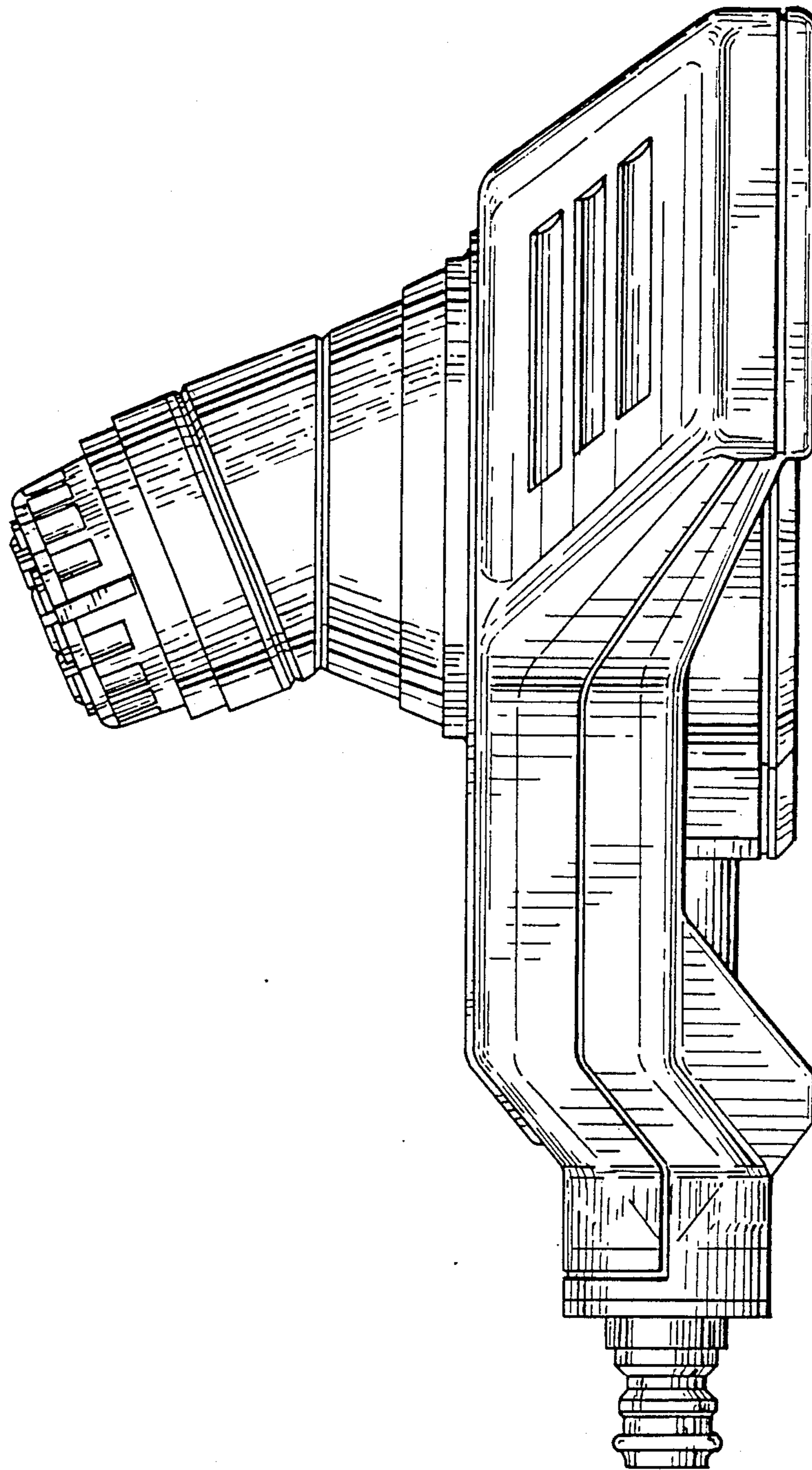


Fig. 3

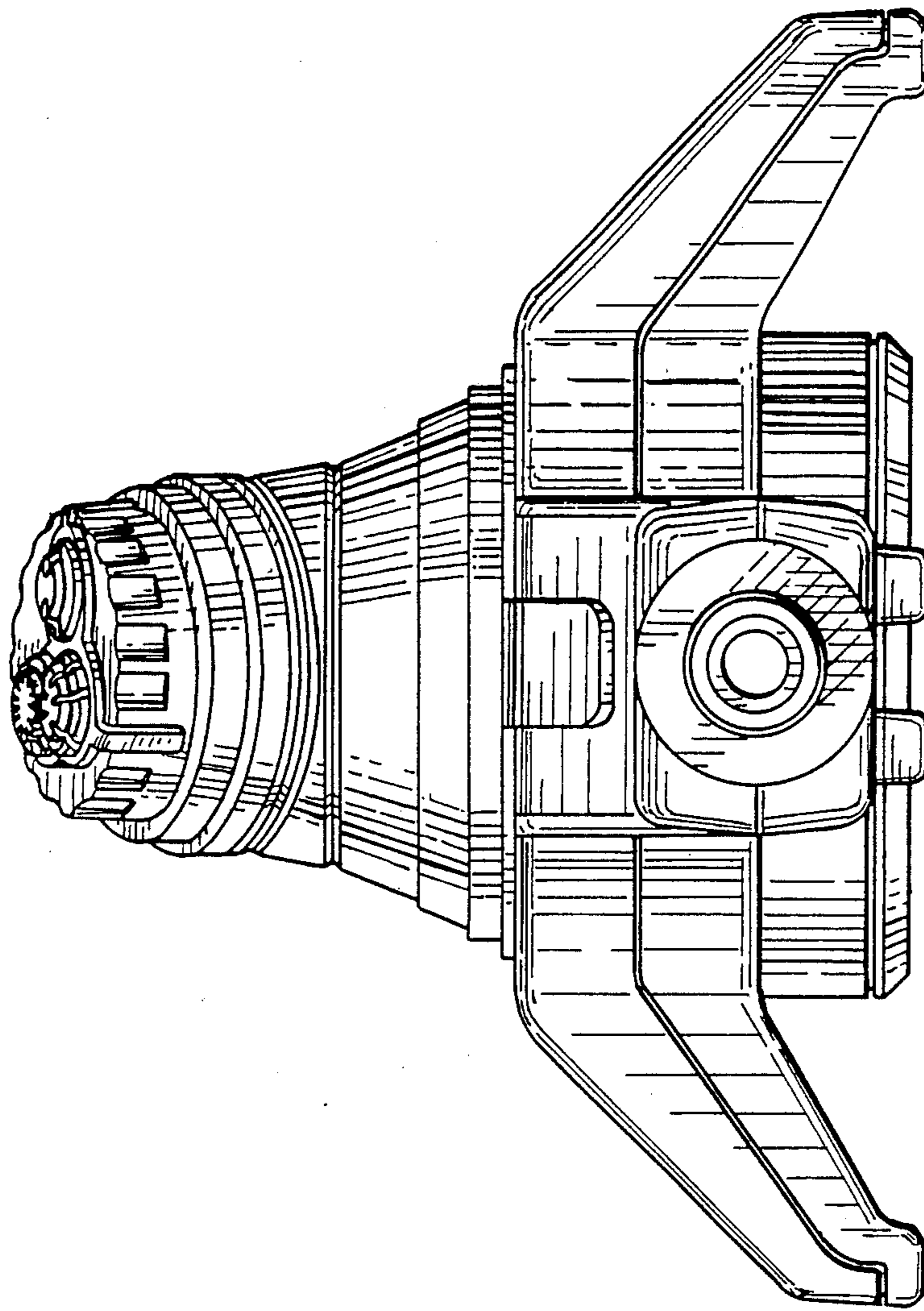


Fig. 4

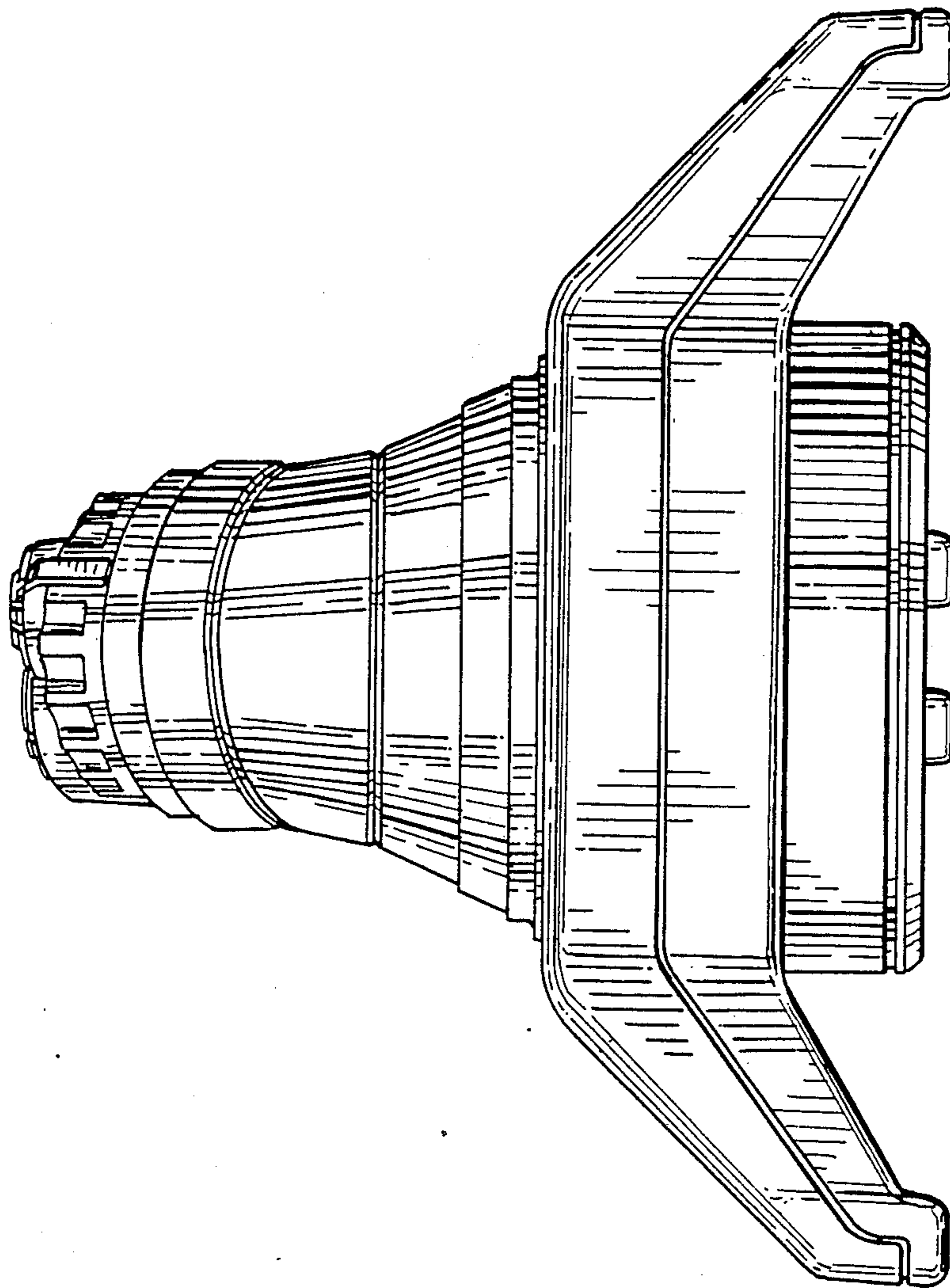


Fig. 5

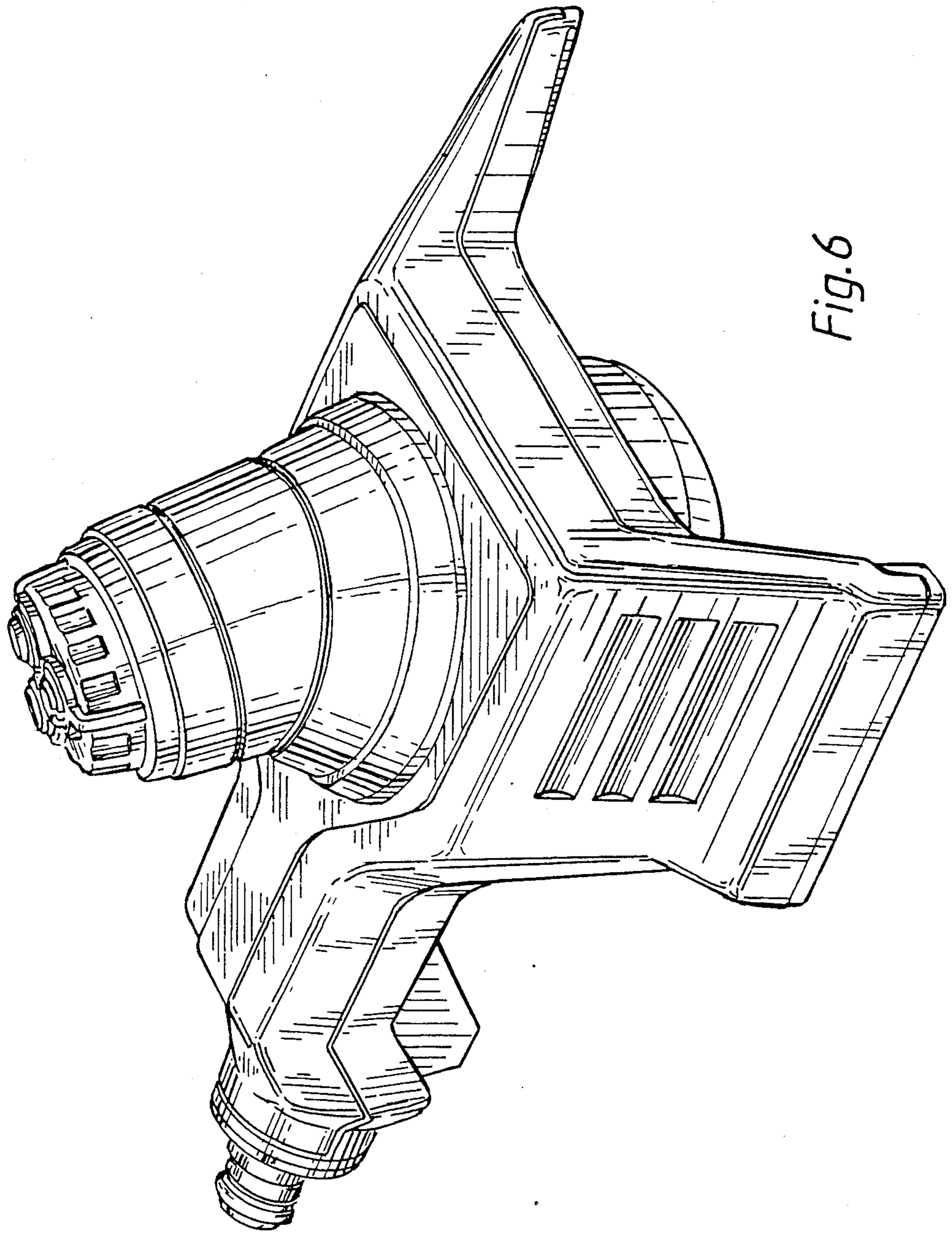


Fig. 6