

United States Patent [19]

Olschansky et al.

[11] Patent Number: **Des. 305,787**

[45] Date of Patent: **** Jan. 30, 1990**

[54] **PHYSICAL EXERCISER**

[75] Inventors: **Brad Olschansky, Baltimore;**
Raymond H. Lee, Jr., Lutherville,
both of Md.

[73] Assignee: **Lifeing, Inc., Pikesville, Md.**

[**] Term: **14 Years**

[21] Appl. No.: **49,452**

[22] Filed: **May 14, 1987**

[52] U.S. Cl. **D21/198**

[58] Field of Search **D21/191-199;**
272/119, 118, 70, 96, 134, 136, 138, 141, 142,
143, 144

[56] **References Cited**

U.S. PATENT DOCUMENTS

D. 259,799 7/1981 Brentham **D21/195**
D. 264,236 5/1982 Vyhlidal **D21/195**

3,634,895 1/1972 Childers 272/69
4,727,860 3/1988 McIntyre 272/134
4,799,671 1/1989 Hoggan et al. 272/134

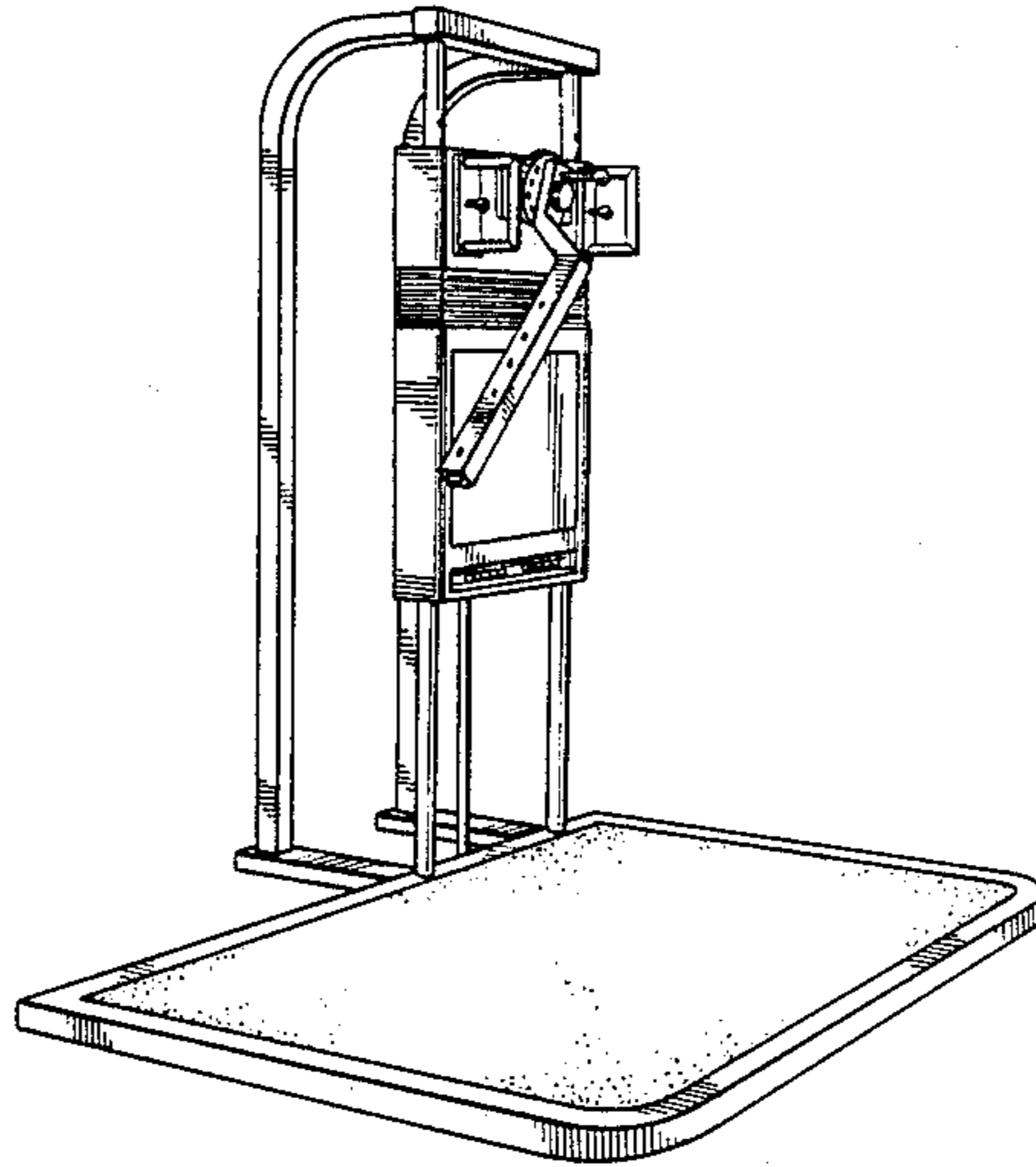
Primary Examiner—Charles A. Rademaker
Attorney, Agent, or Firm—Morton J. Rosenberg; David
I. Klein

[57] **CLAIM**

The ornamental design for a physical exerciser, as shown and described.

DESCRIPTION

FIG. 1 is a perspective view of a physical exerciser showing my new design;
FIG. 2 is a front elevational view thereof;
FIG. 3 is a rear elevational view thereof;
FIG. 4 is a left side elevational view thereof;
FIG. 5 is a right side elevational view thereof;
FIG. 6 is a top plan view thereof; and,
FIG. 7 is a bottom plan view thereof.



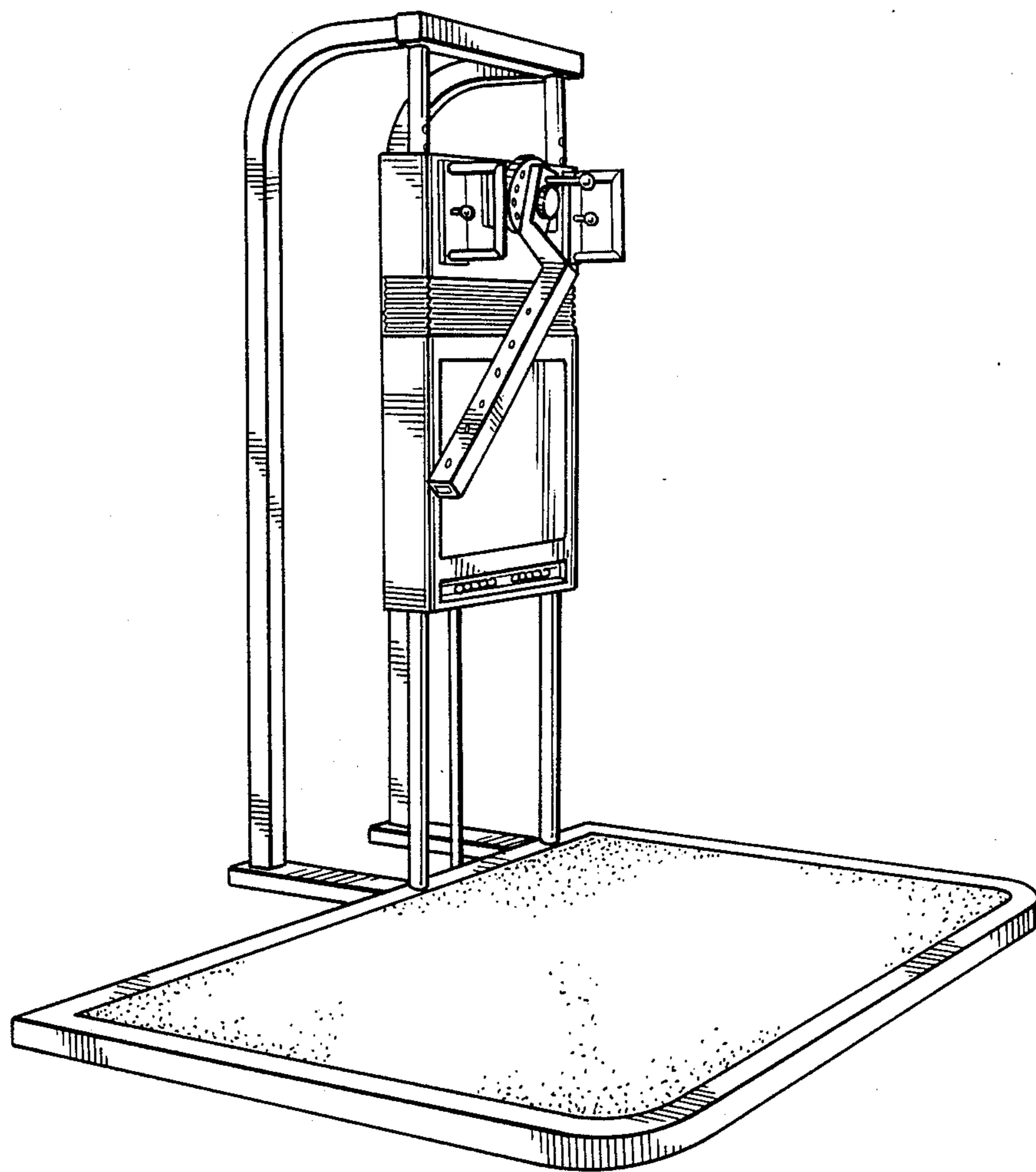


FIG. 1

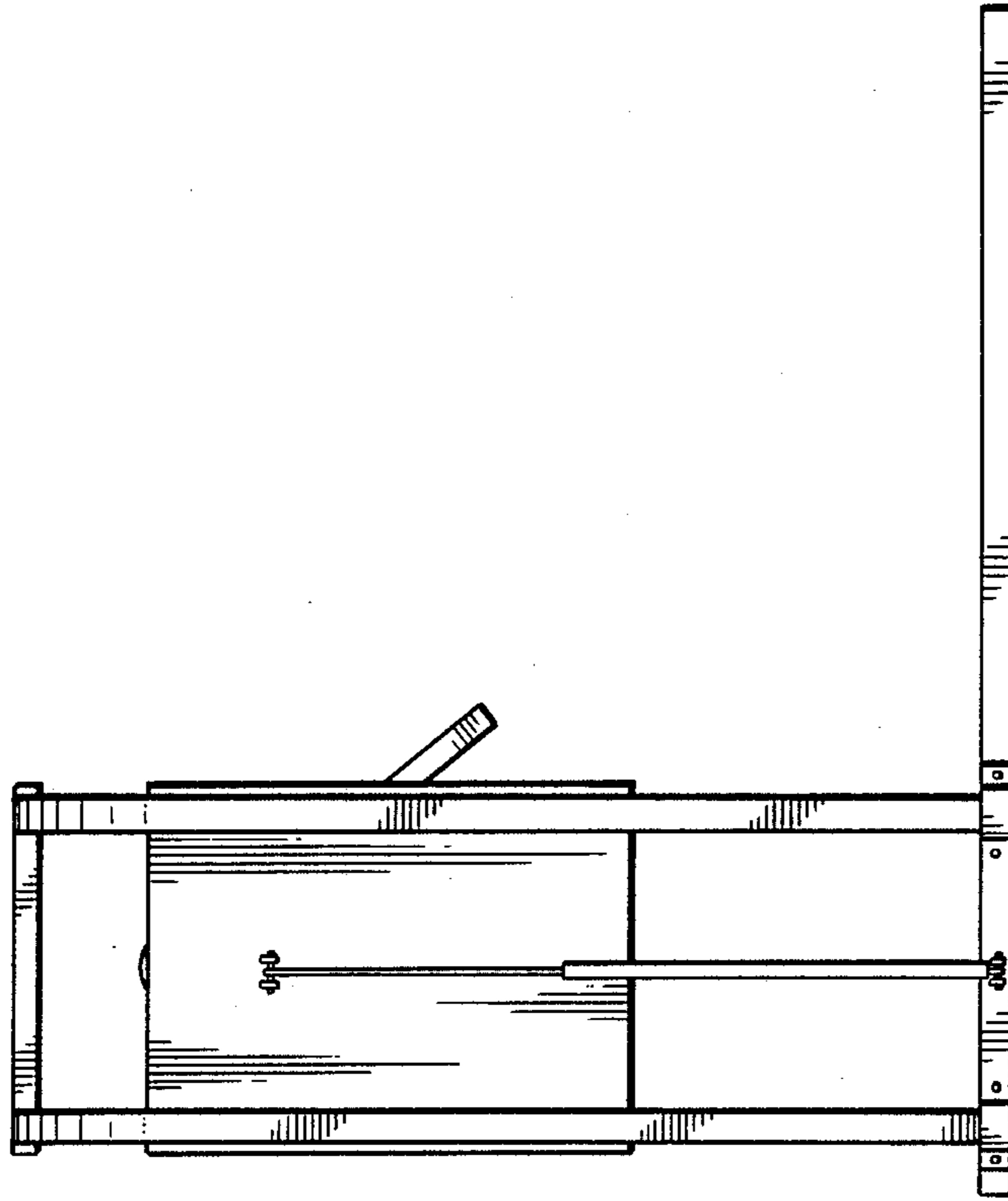


FIG. 2

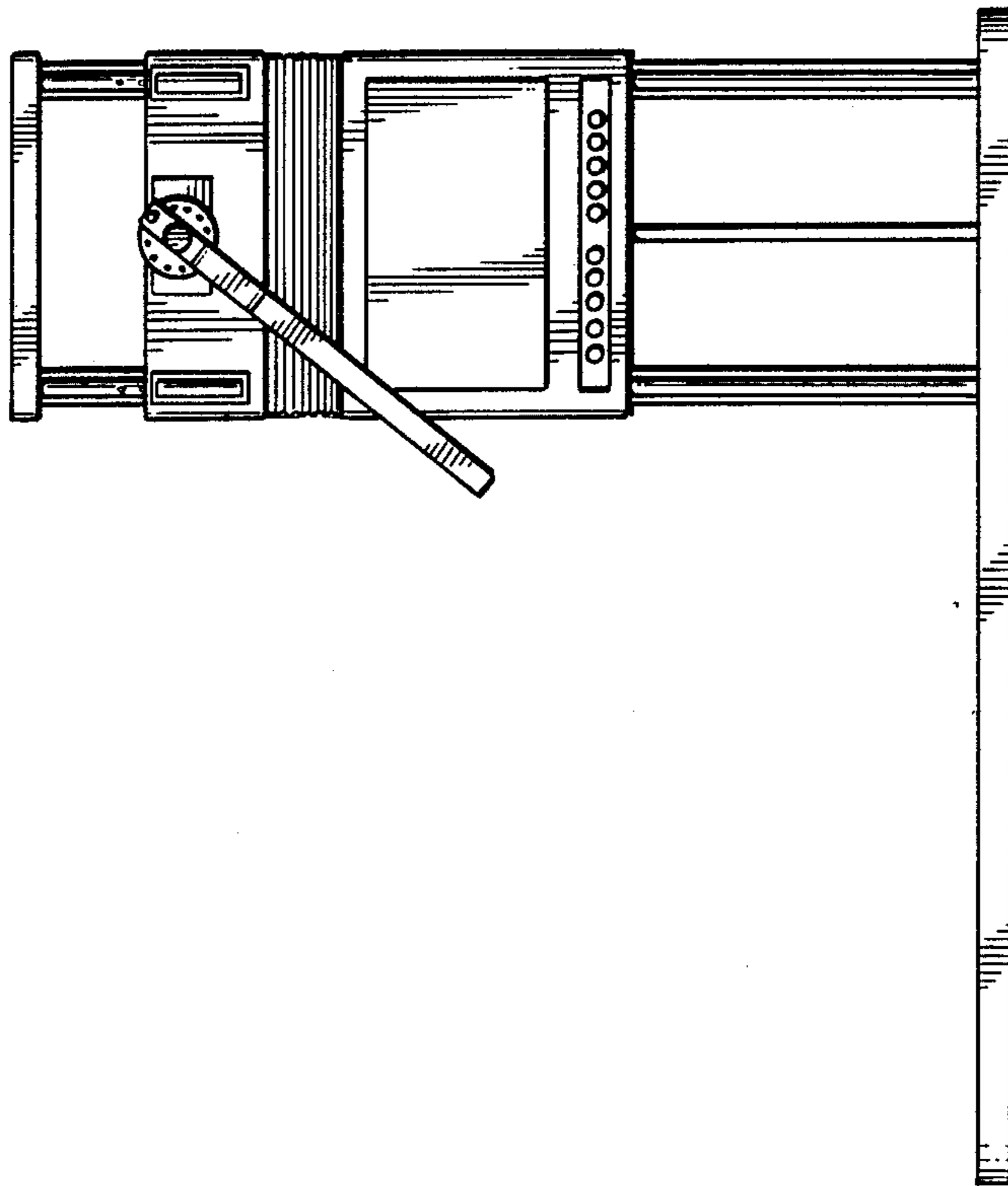


FIG. 3

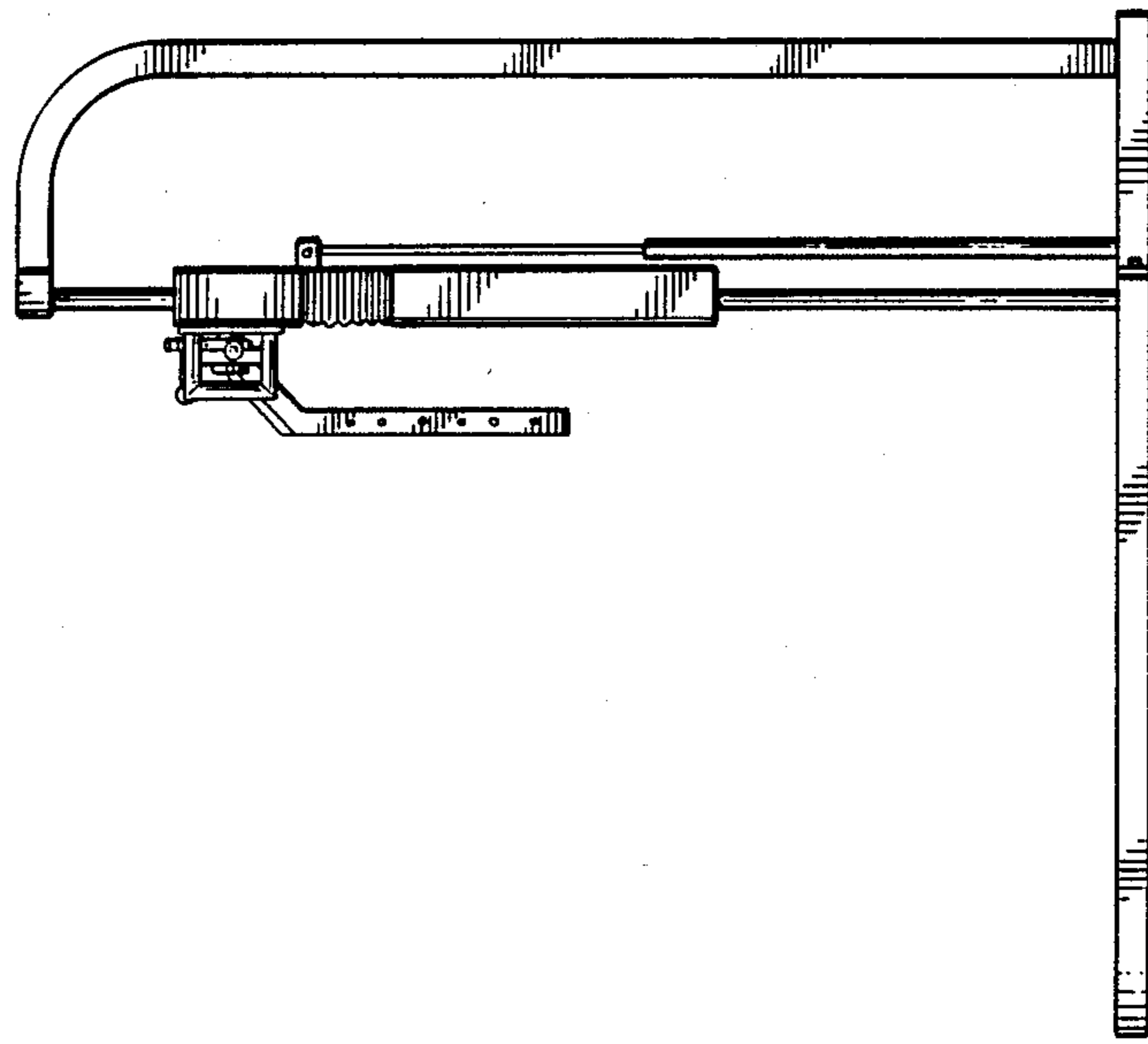


FIG. 5

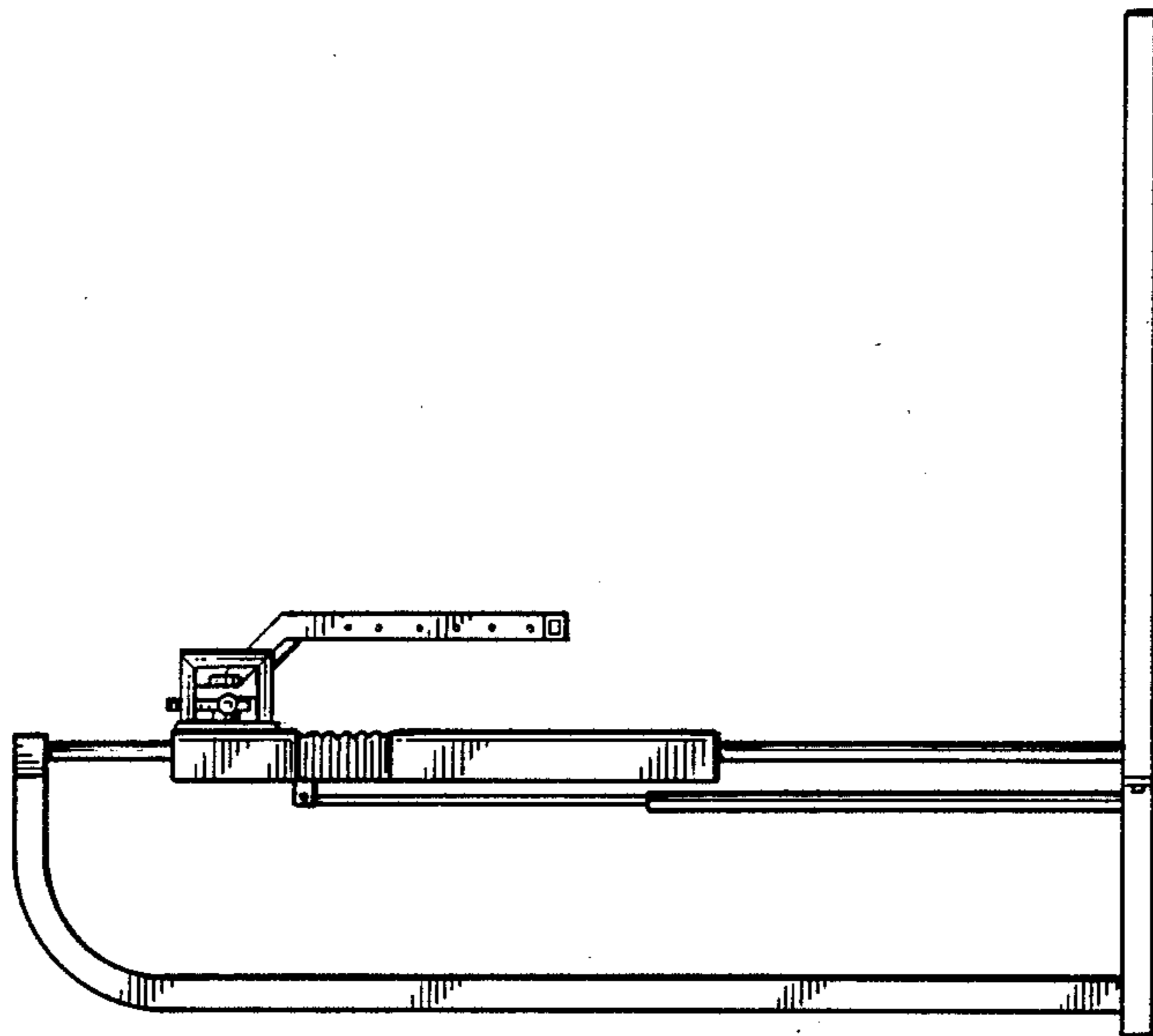


FIG. 4

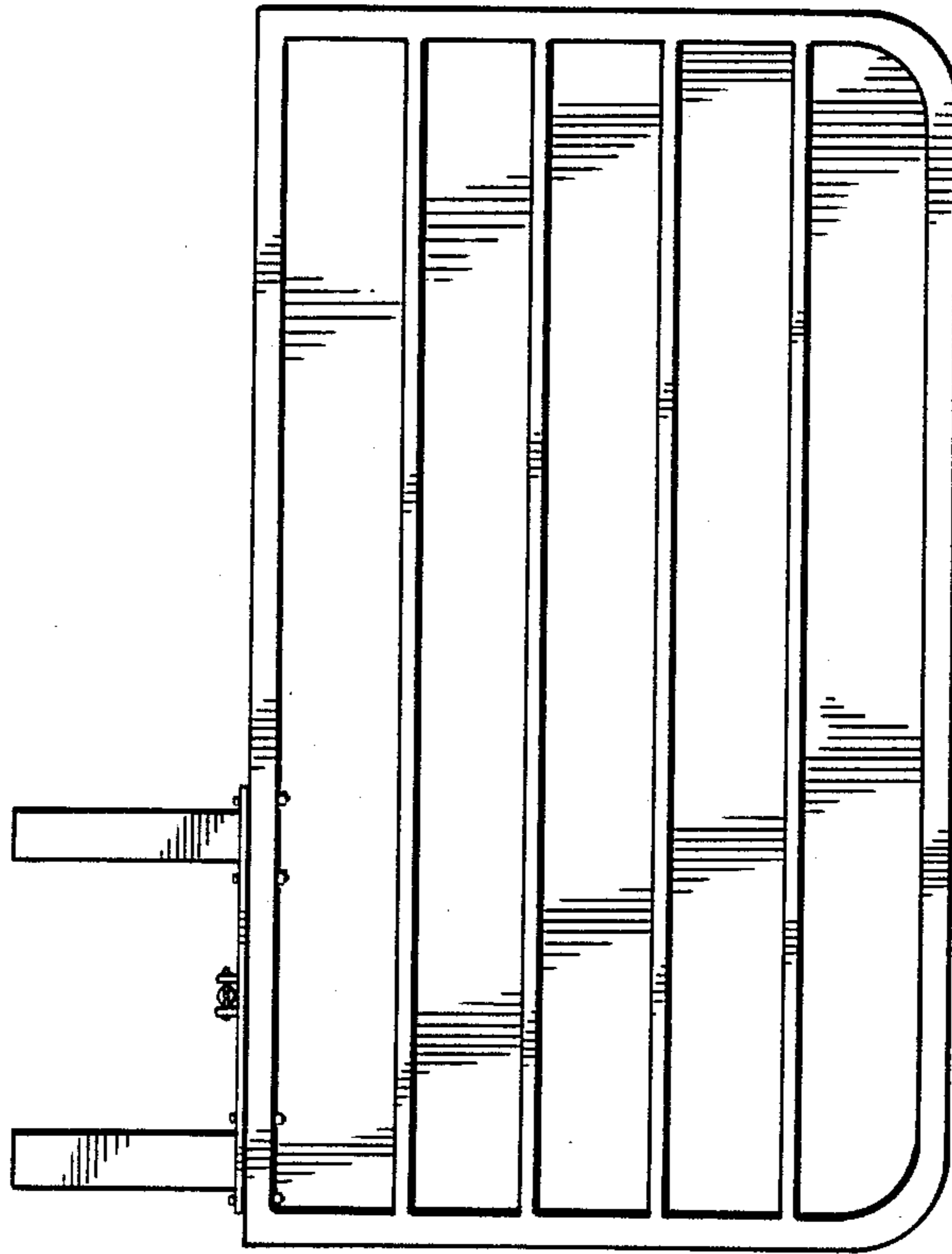


FIG. 7

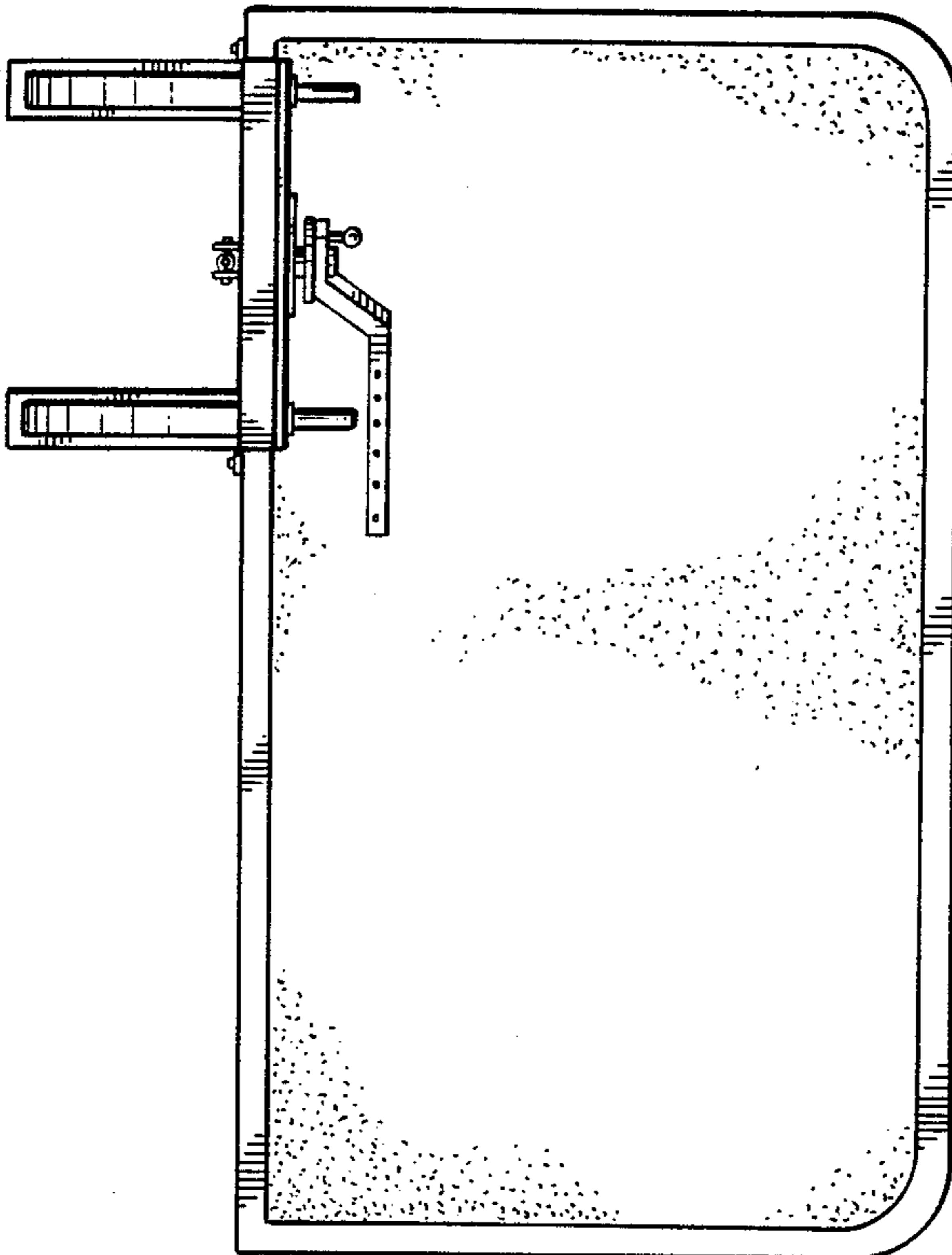


FIG. 6