

United States Patent [19]

Ukisu

[11] Patent Number: Des. 305,785

[45] Date of Patent: ** Jan. 30, 1990

[54] SIMULATIVE TOY TOOL

[75] Inventor: Hiroshi Ukisu, Matsudo, Japan

[73] Assignee: Epoch Company, Ltd., Tokyo, Japan

[**] Term: 14 Years

[21] Appl. No.: 132,041

[22] Filed: Dec. 11, 1987

[52] U.S. Cl. D21/120; D21/59;
D20/77

[58] Field of Search D21/59, 109, 120;
D3/20, 21; D9/307, 332, 333, 341, 420; 446/71,
73, 75, 80, 475, 483, 489, 491; 434/159, 160,
403; 273/157 R; D8/77

[56] References Cited

U.S. PATENT DOCUMENTS

D. 79,455 9/1929 Blunt D9/333

D. 114,745 5/1939 Blunt D9/333
D. 172,726 7/1954 Polk D28/77

Primary Examiner—Charles A. Rademaker
Attorney, Agent, or Firm—Staas & Halsey

[57] CLAIM

The ornamental design for a simulative toy tool, as shown and described.

DESCRIPTION

FIG. 1 is a front elevational view of a simulative toy tool showing my new design;
FIG. 2 is a left side elevational view thereof;
FIG. 3 is a rear elevational view thereof;
FIG. 4 is a right side elevational view thereof;
FIG. 5 is a bottom plan view thereof;
FIG. 6 is a top plan view thereof; and
FIG. 7 is a perspective view thereof showing the design in an operative position.

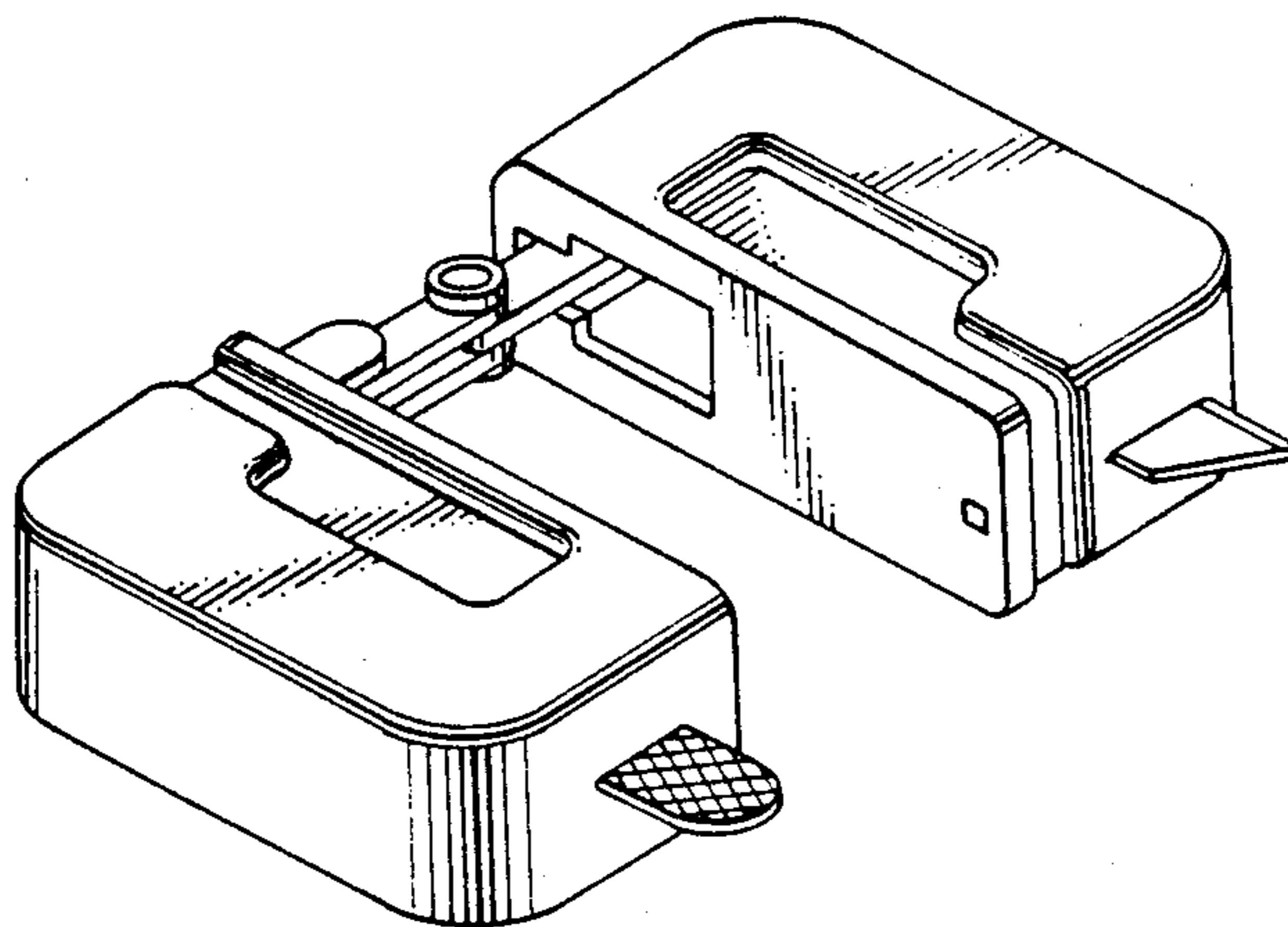


FIG. 1.

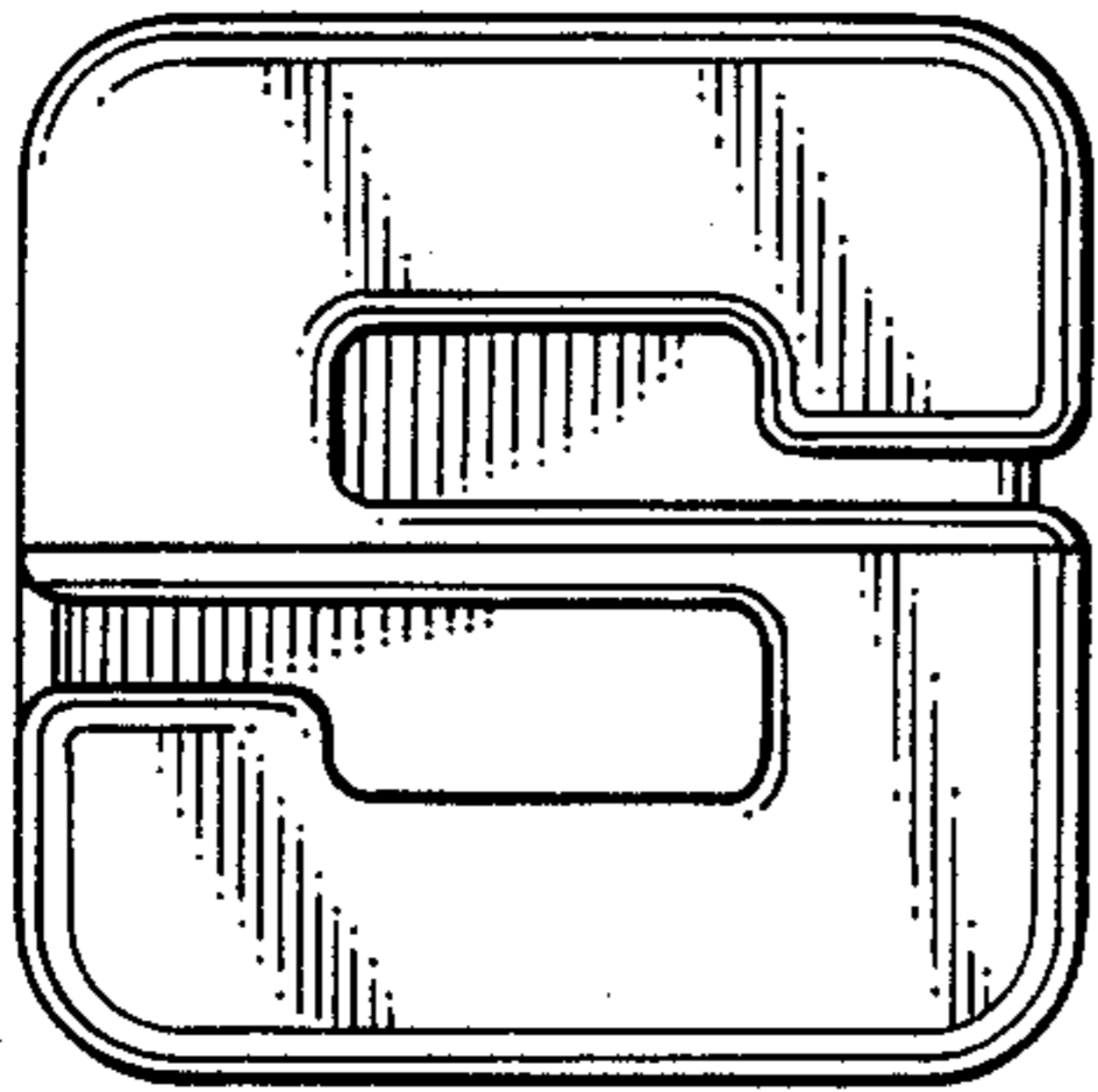


FIG. 2.

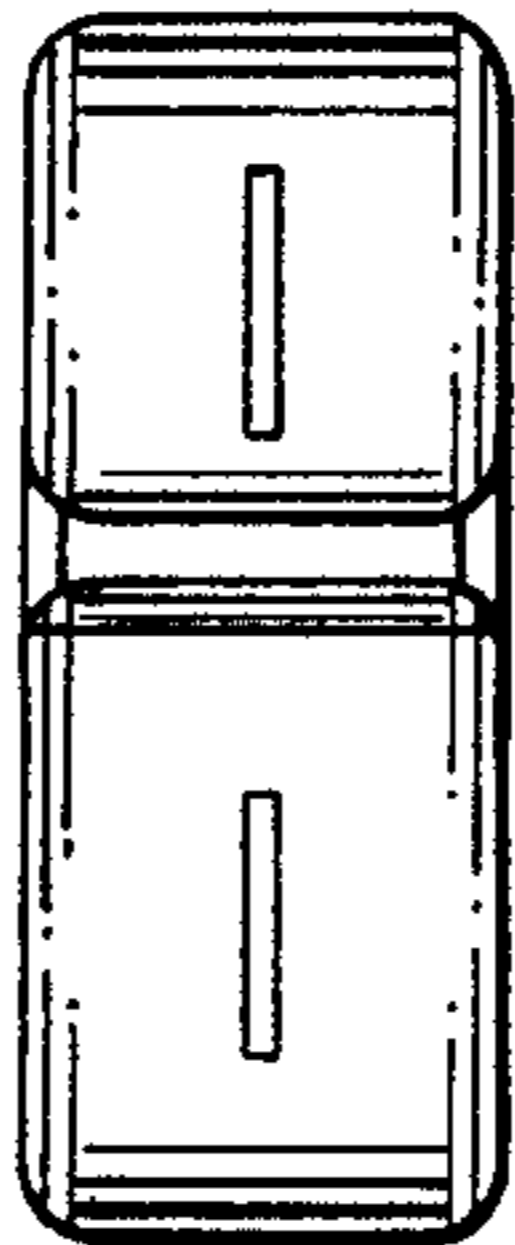


FIG. 3.

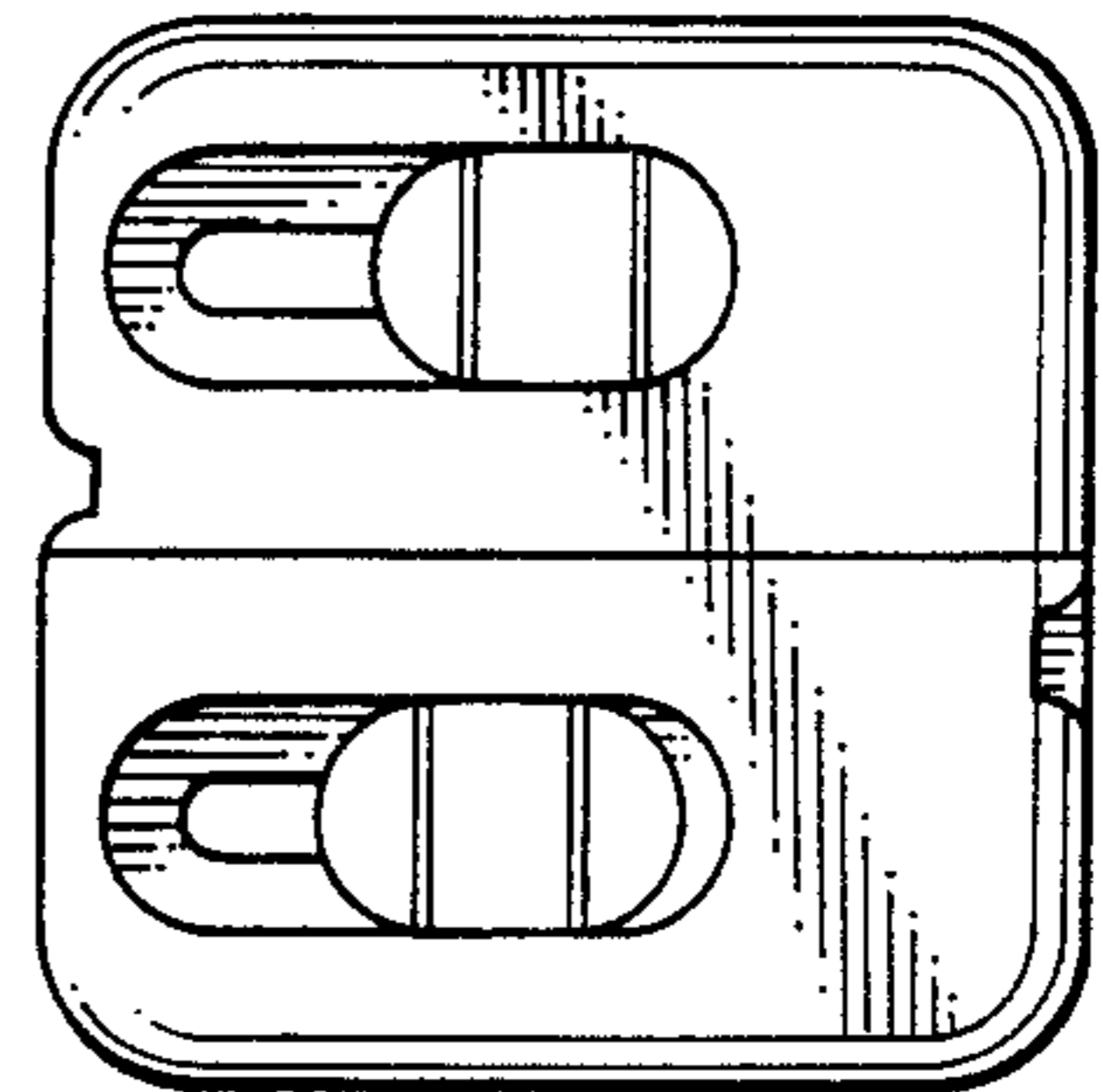


FIG. 4.

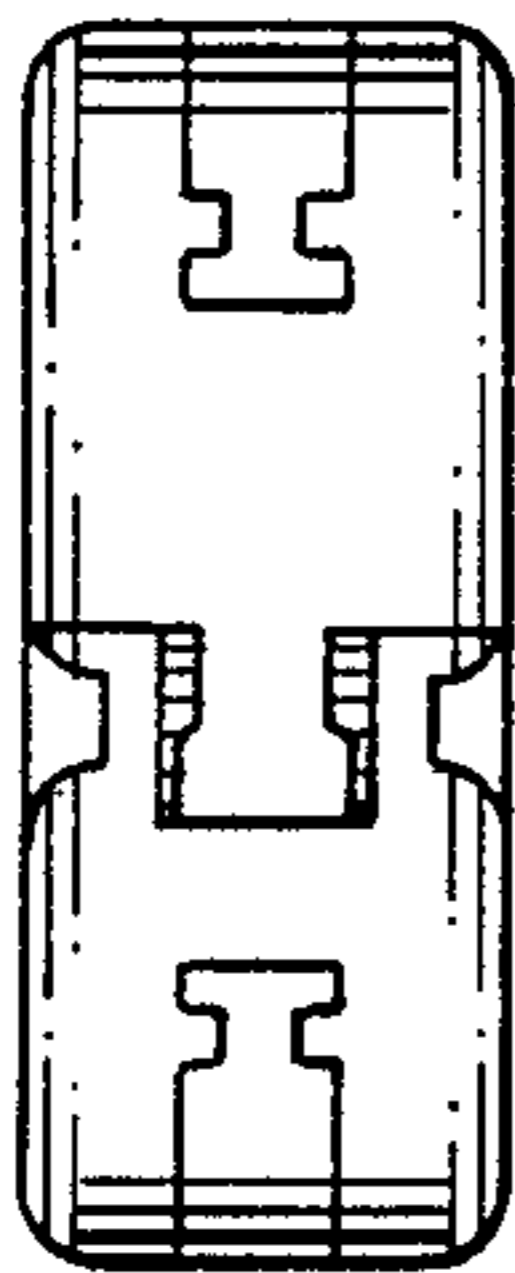


FIG. 5.

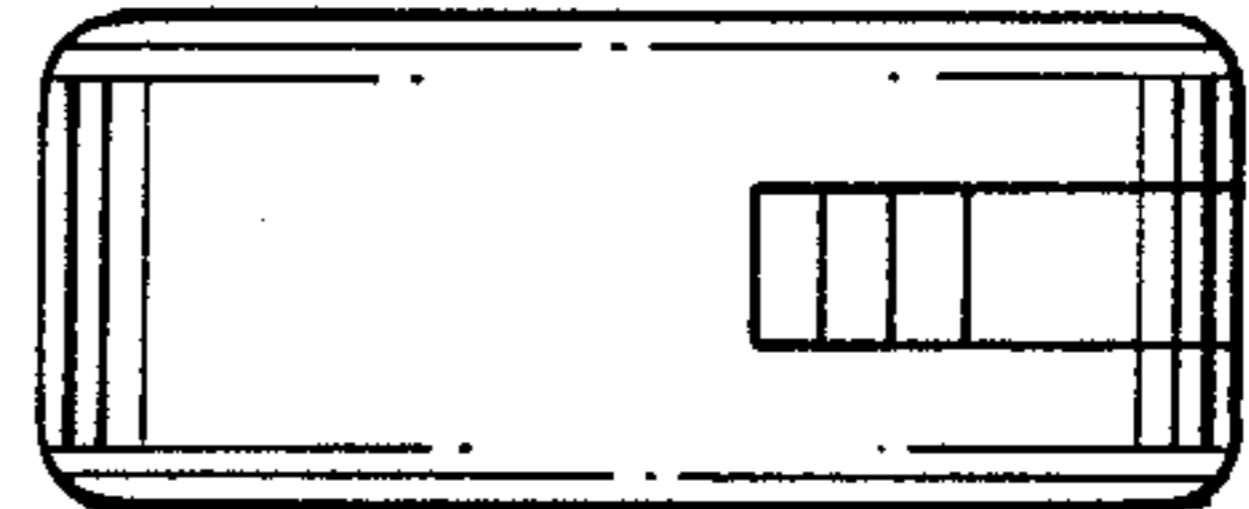


FIG. 6.

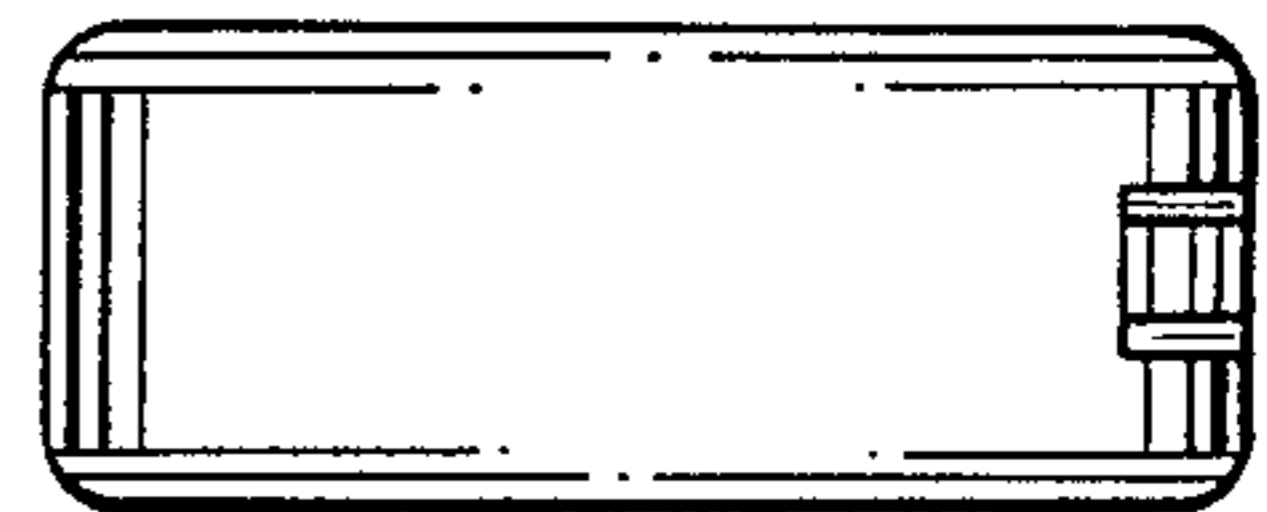


FIG. 7.

