

[54] PUZZLE TOY

[76] Inventor: James A. Bertagnoli, 620 McDonough St., Joliet, Ill. 60436

[\*\*] Term: 14 Years

[21] Appl. No.: 70,508

[22] Filed: Jul. 7, 1987

[52] U.S. Cl. .... D21/106

[58] Field of Search ..... D21/104-109; 273/156, 157, 158, 153 R

[56] References Cited

U.S. PATENT DOCUMENTS

- D. 136,622 11/1943 Davis ..... D21/106
- D. 226,017 1/1973 Graham et al. .... D21/106

FOREIGN PATENT DOCUMENTS

118993 2/1927 Switzerland ..... 273/158

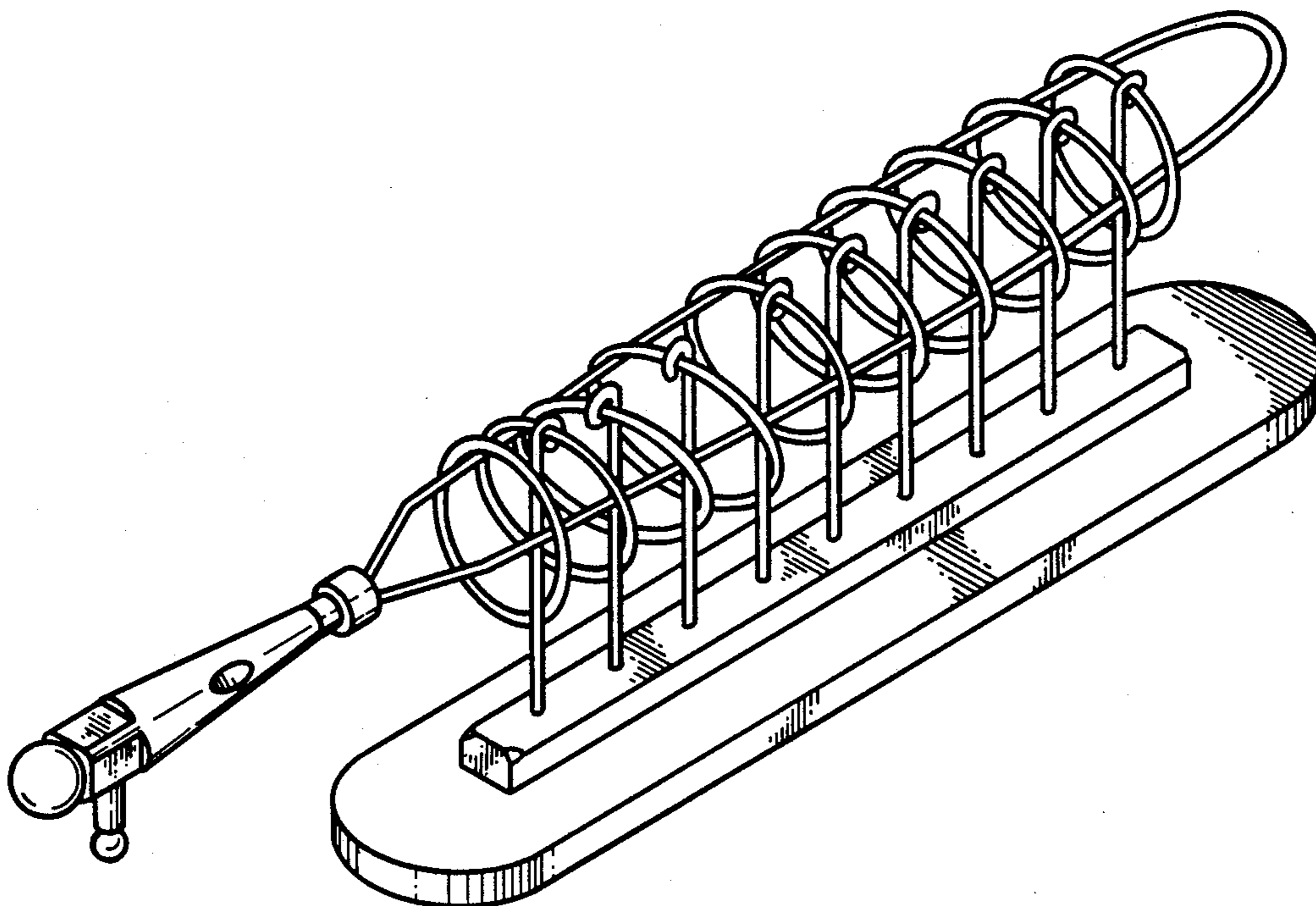
Primary Examiner—Charles A. Rademaker  
Attorney, Agent, or Firm—Lewis A. Thaxton

[57] CLAIM

The ornamental design for a puzzle toy, as shown and described.

DESCRIPTION

FIG. 1 is a top right perspective view of a puzzle toy showing my new design;  
 FIG. 2 is a side elevational view thereof;  
 FIG. 3 is a front elevational view thereof;  
 FIG. 4 is a rear elevational view thereof;  
 FIG. 5 is a top left perspective view thereof;  
 FIG. 6 is a top plan view thereof; and  
 FIG. 7 is a bottom plan view thereof.



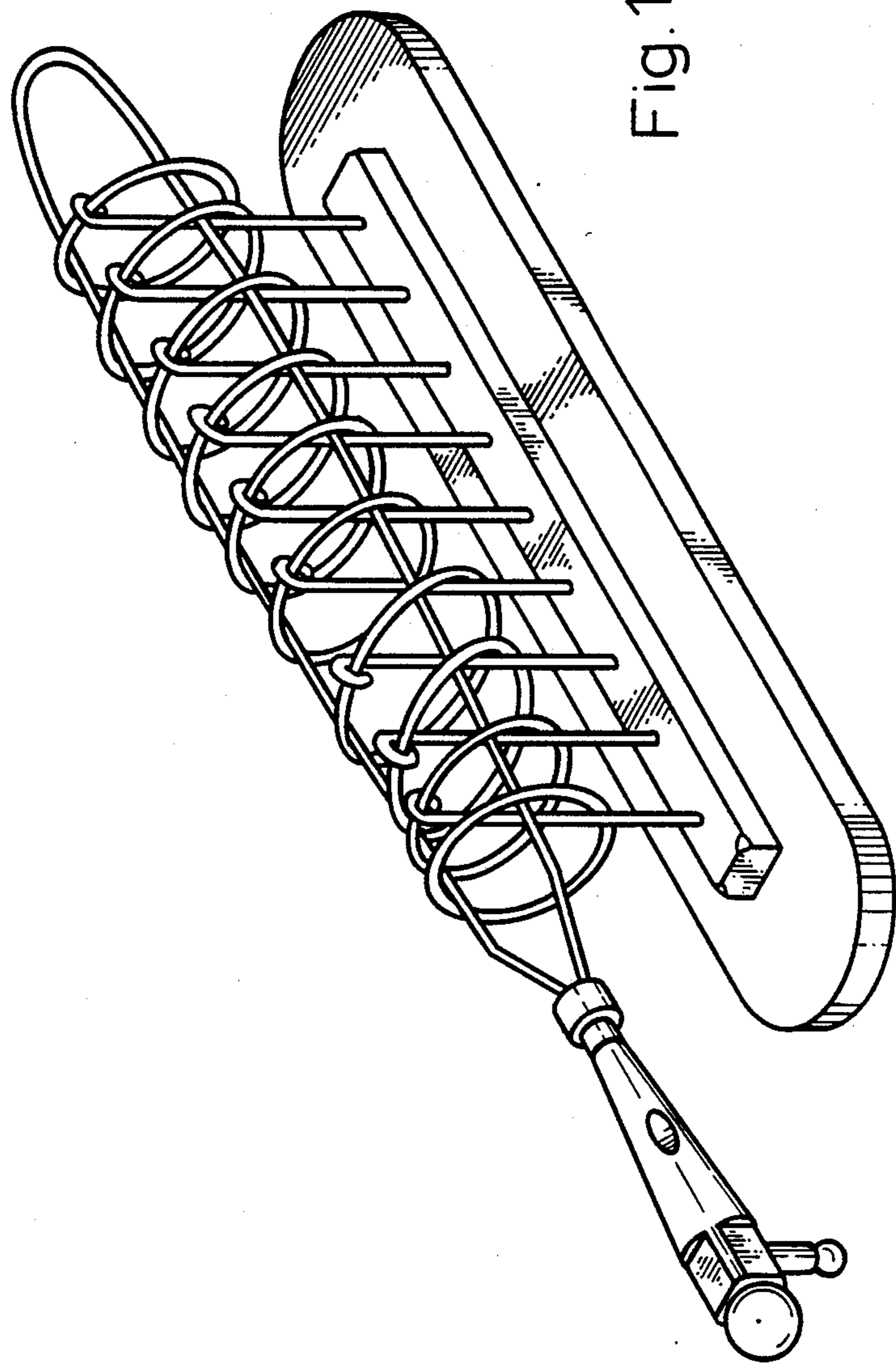
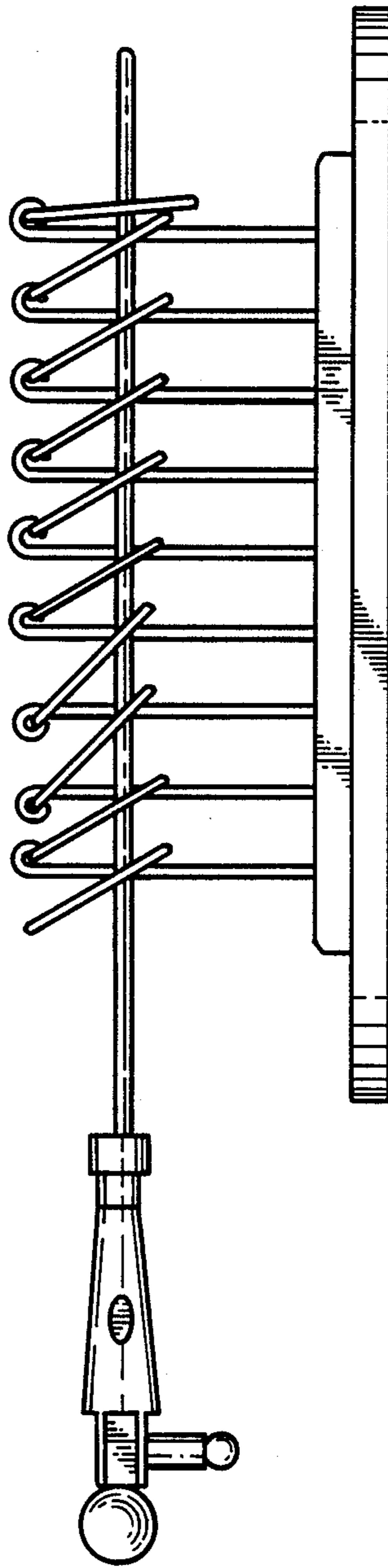


Fig. 1

Fig. 2



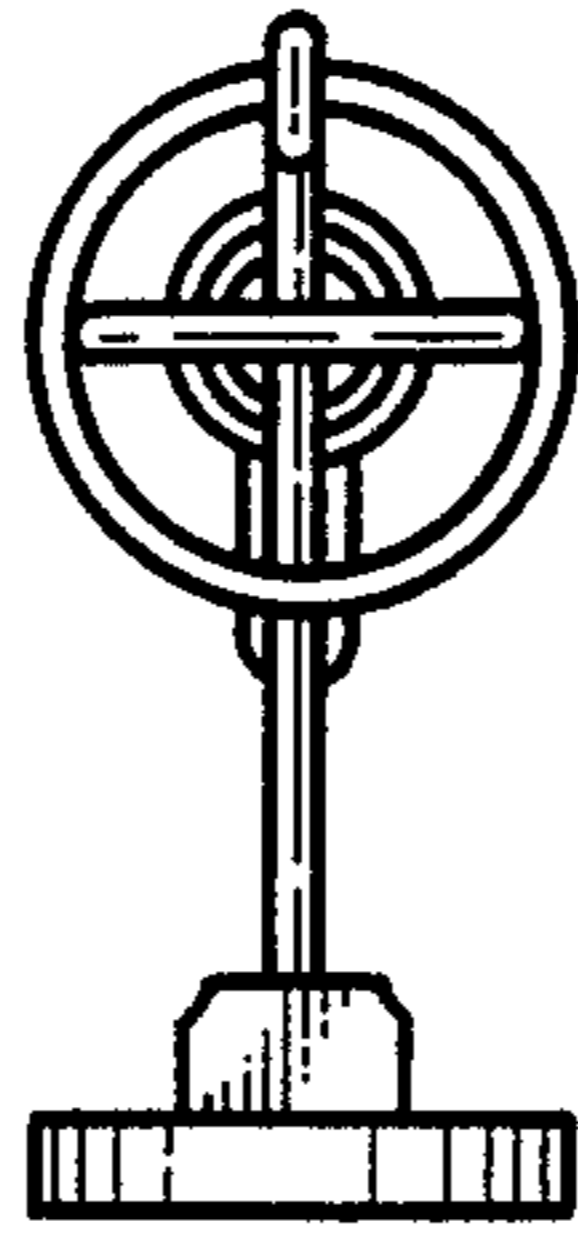


Fig. 3

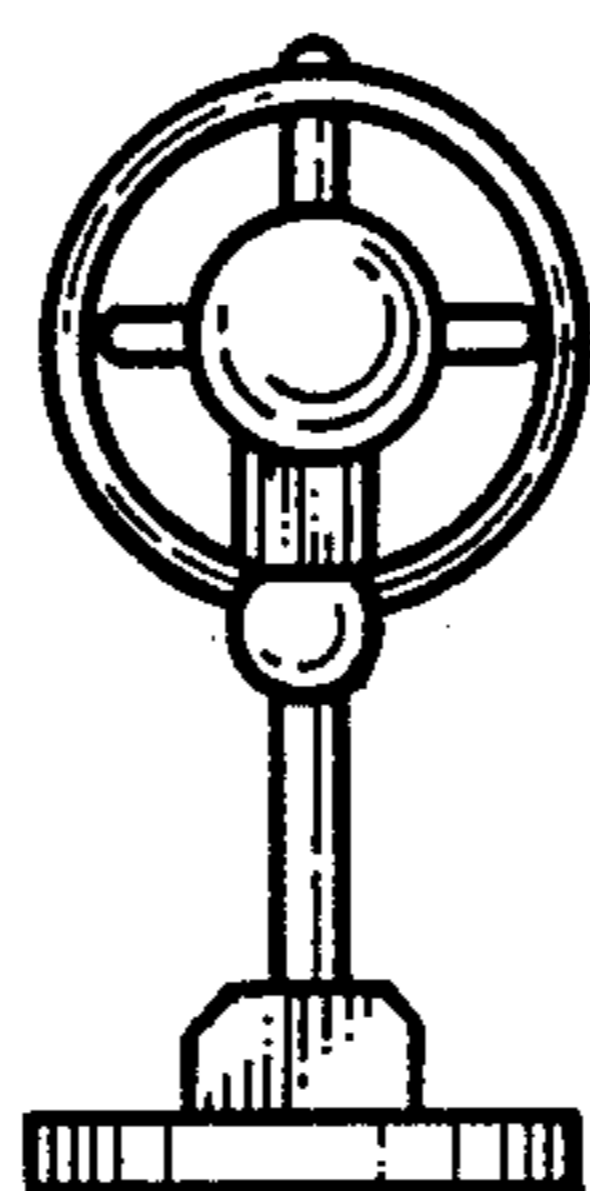


Fig. 4

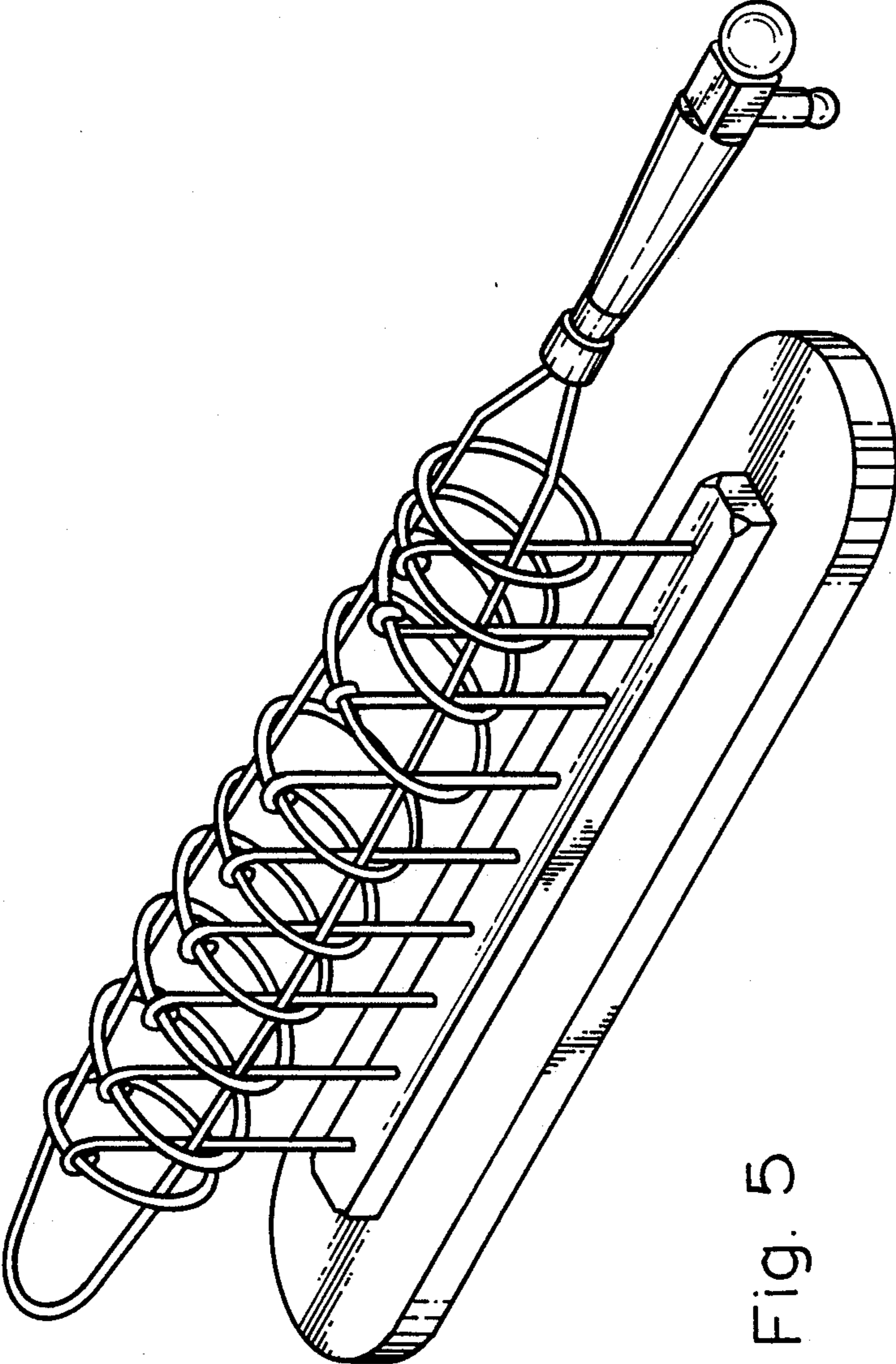


Fig. 5

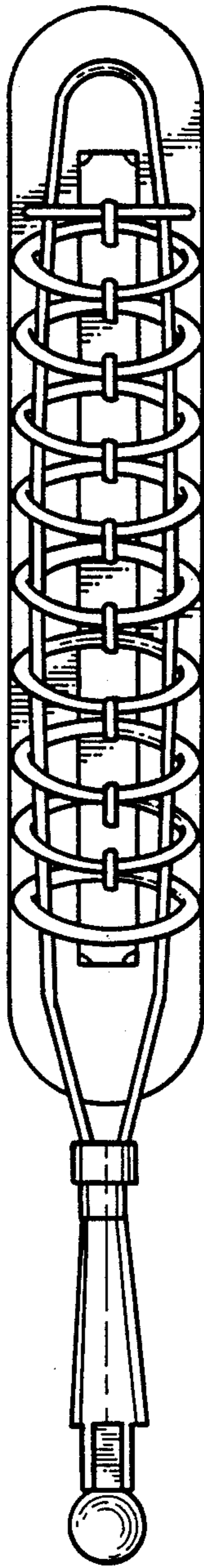


Fig. 6



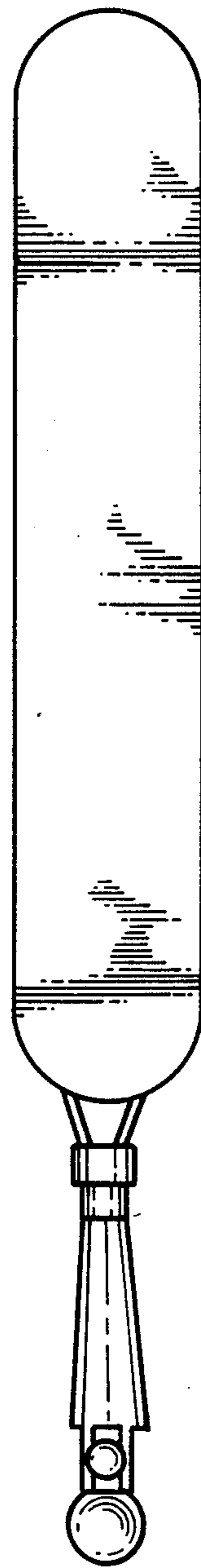


Fig. 7