

# United States Patent [19]

Ukisu

[11] Patent Number: **Des. 305,783**

[45] Date of Patent: **\*\* Jan. 30, 1990**

[54] **SIMULATIVE TOY BOX**

[75] Inventor: **Hiroshi Ukisu, Matsudo, Japan**

[73] Assignee: **Epoch Company, Ltd., Tokyo, Japan**

[\*\*] Term: **14 Years**

[21] Appl. No.: **132,059**

[22] Filed: **Dec. 11, 1987**

[52] U.S. Cl. .... **D21/59; D9/414; D21/109**

[58] Field of Search ..... **D21/59, 109; D3/20, D3/21; D9/307, 332, 333, 414, 420; 446/71, 73, 75, 80, 475, 483, 487, 489, 491; 434/159, 160, 403; 273/157 R**

[56] **References Cited**

### U.S. PATENT DOCUMENTS

D. 10,886 10/1878 Weller ..... D9/333

D. 17,982 12/1887 Gardner ..... D9/333  
D. 112,277 11/1938 Blunt ..... D9/333  
4,666,042 5/1987 Dlott et al. .... 446/73

*Primary Examiner*—Charles A. Rademaker  
*Attorney, Agent, or Firm*—Staas & Halsey

### [57] CLAIM

The ornamental design for a simulative toy box, as shown and described.

### DESCRIPTION

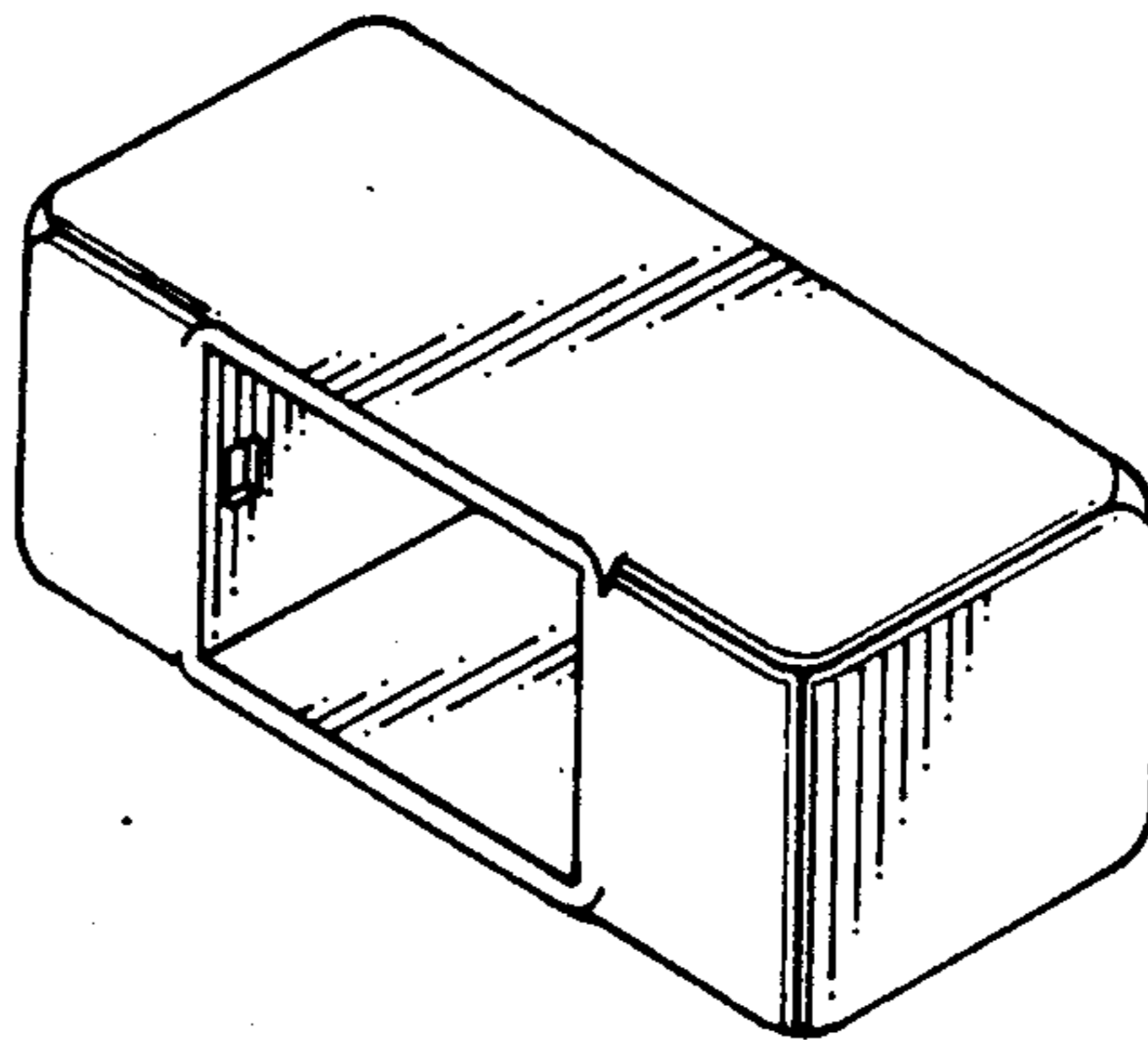
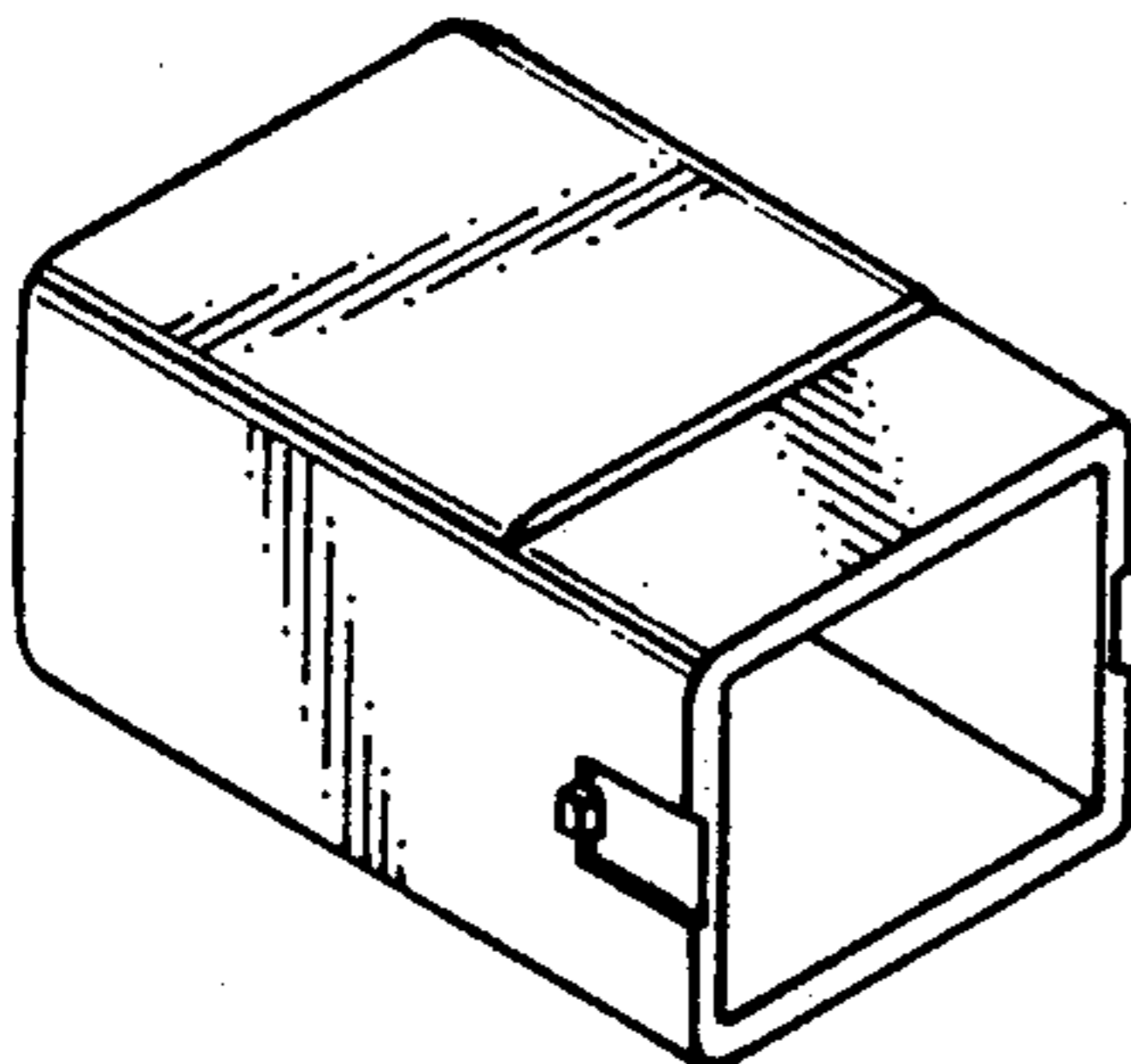
FIG. 1 is a front elevational view of a simulative toy box showing my new design, the side opposite being a mirror image;

FIG. 2 is a right side elevational view thereof;

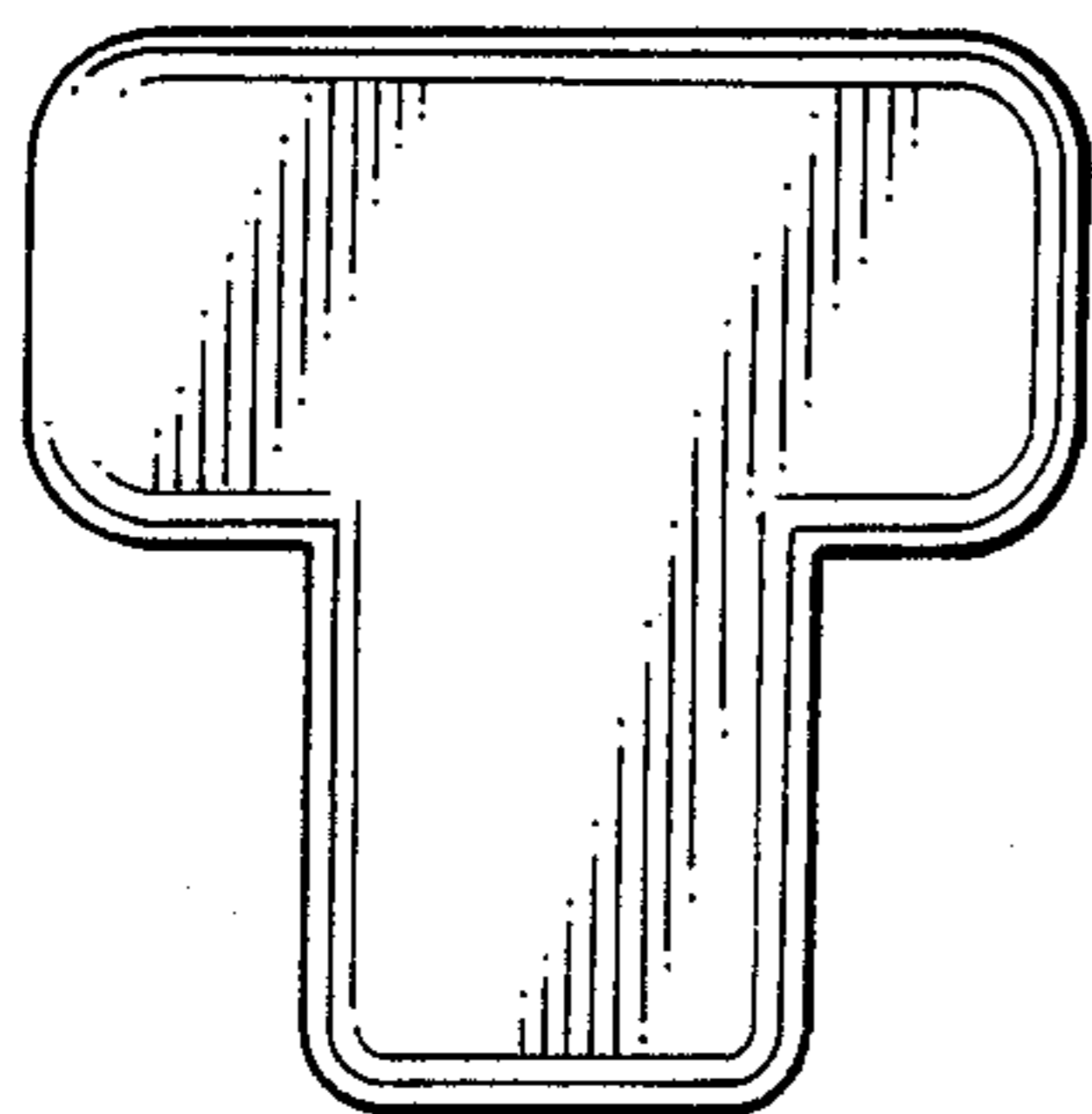
FIG. 3 is a top plan view thereof;

FIG. 4 is a bottom plan view thereof; and

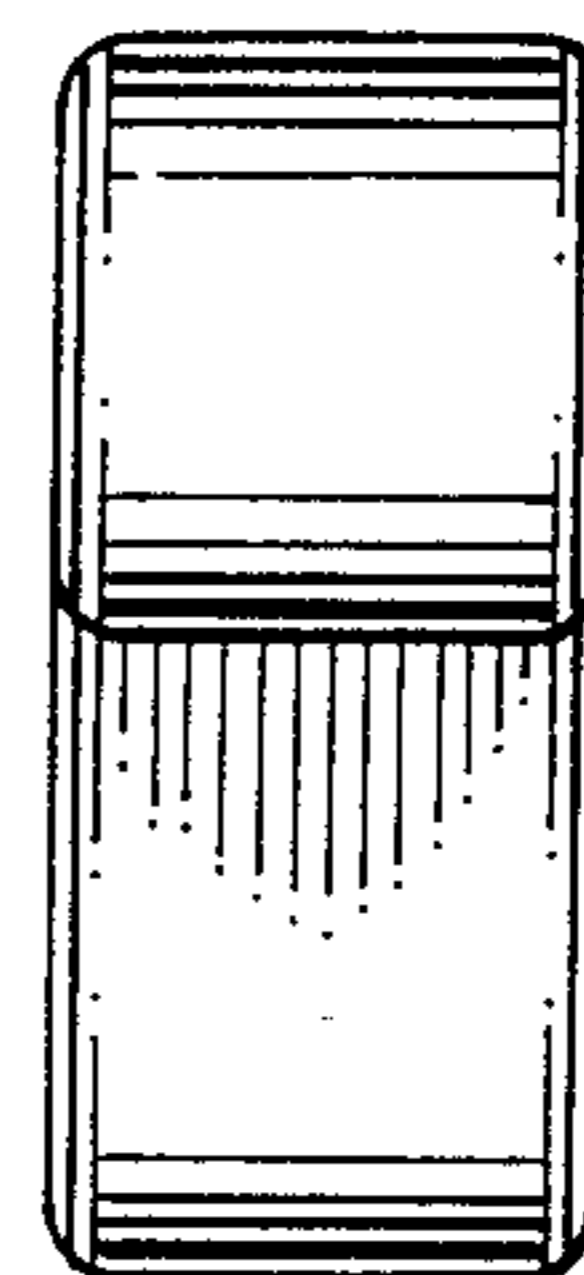
FIG. 5 is a perspective view thereof showing the elements in an exploded condition.



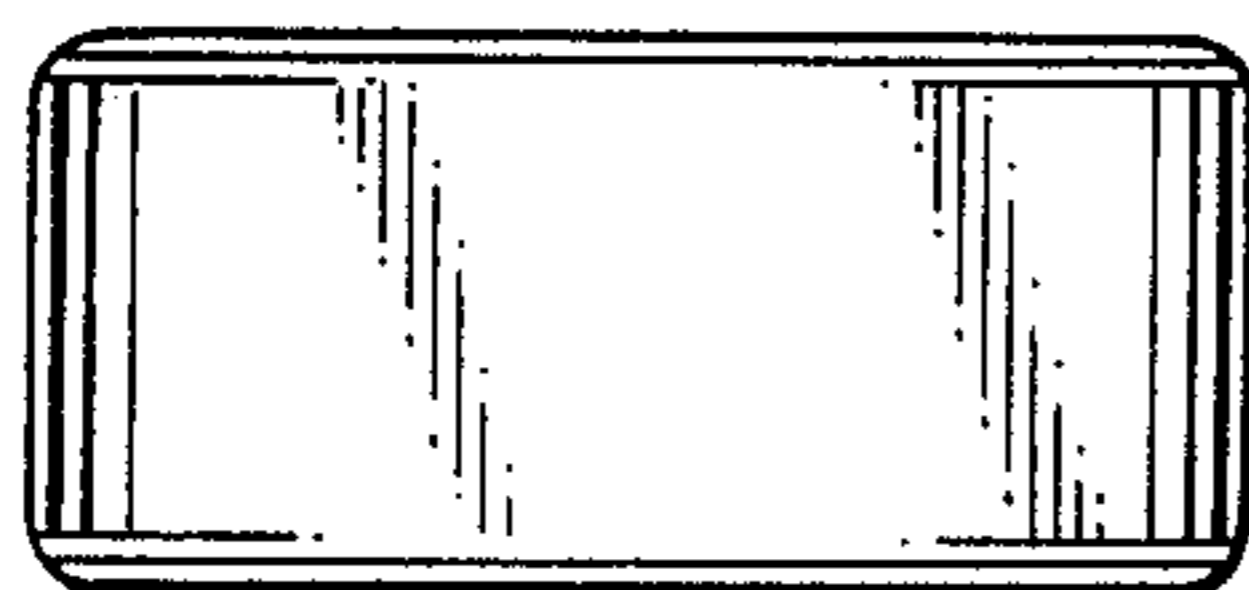
*FIG. 1.*



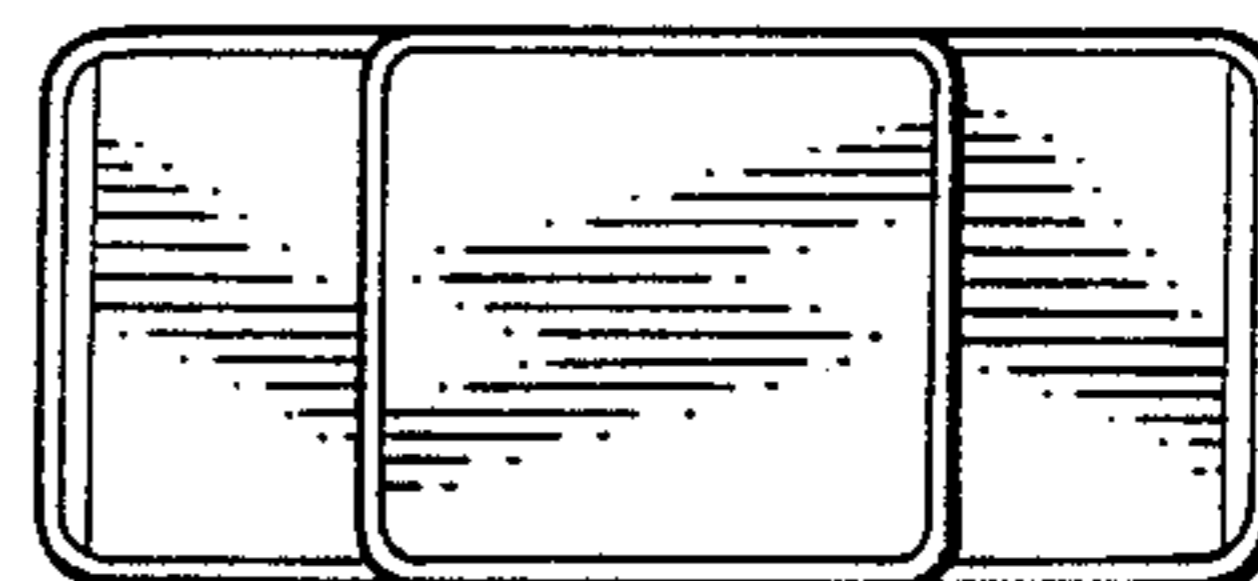
*FIG. 2.*



*FIG. 3.*



*FIG. 4.*



*FIG. 5.*

