

United States Patent [19]

Ukisu

[11] Patent Number: **Des. 305,782**

[45] Date of Patent: **** Jan. 30, 1990**

[54] **SIMULATIVE TOY TOOL HOLDER**

[75] Inventor: **Hiroshi Ukisu, Matsudo, Japan**

[73] Assignee: **Epoch Company, Ltd., Tokyo, Japan**

[**] Term: **14 Years**

[21] Appl. No.: **131,553**

[22] Filed: **Dec. 11, 1987**

[52] U.S. Cl. **D21/59; D21/120**

[58] Field of Search **D21/59, 109, 120; D3/20, 21; D9/307, 332, 333, 414, 420; 446/71, 73, 75, 80, 475, 483, 489, 491; 439/159, 160, 403; 273/157 R; D8/107, 105, 14**

[56] **References Cited**

U.S. PATENT DOCUMENTS

D. 17,982 12/1887 Gardner D9/333
D. 114,008 3/1939 Blunt D9/333

D. 276,211 11/1984 Lee D8/107
4,666,042 5/1987 Dlott et al. 446/73

Primary Examiner—Charles A. Rademaker
Attorney, Agent, or Firm—Staas & Halsey

[57] **CLAIM**

The ornamental design for a simulative toy tool holder, as shown and described.

DESCRIPTION

FIG. 1 is a front elevational view of a simulative toy tool holder showing my new design, the side opposite being a mirror image;
FIG. 2 is a right side elevational view thereof, the side opposite being a mirror image;
FIG. 3 is a top plan view thereof;
FIG. 4 is a bottom plan view thereof; and
FIG. 5 is a perspective view thereof, with the cover members in an open position.

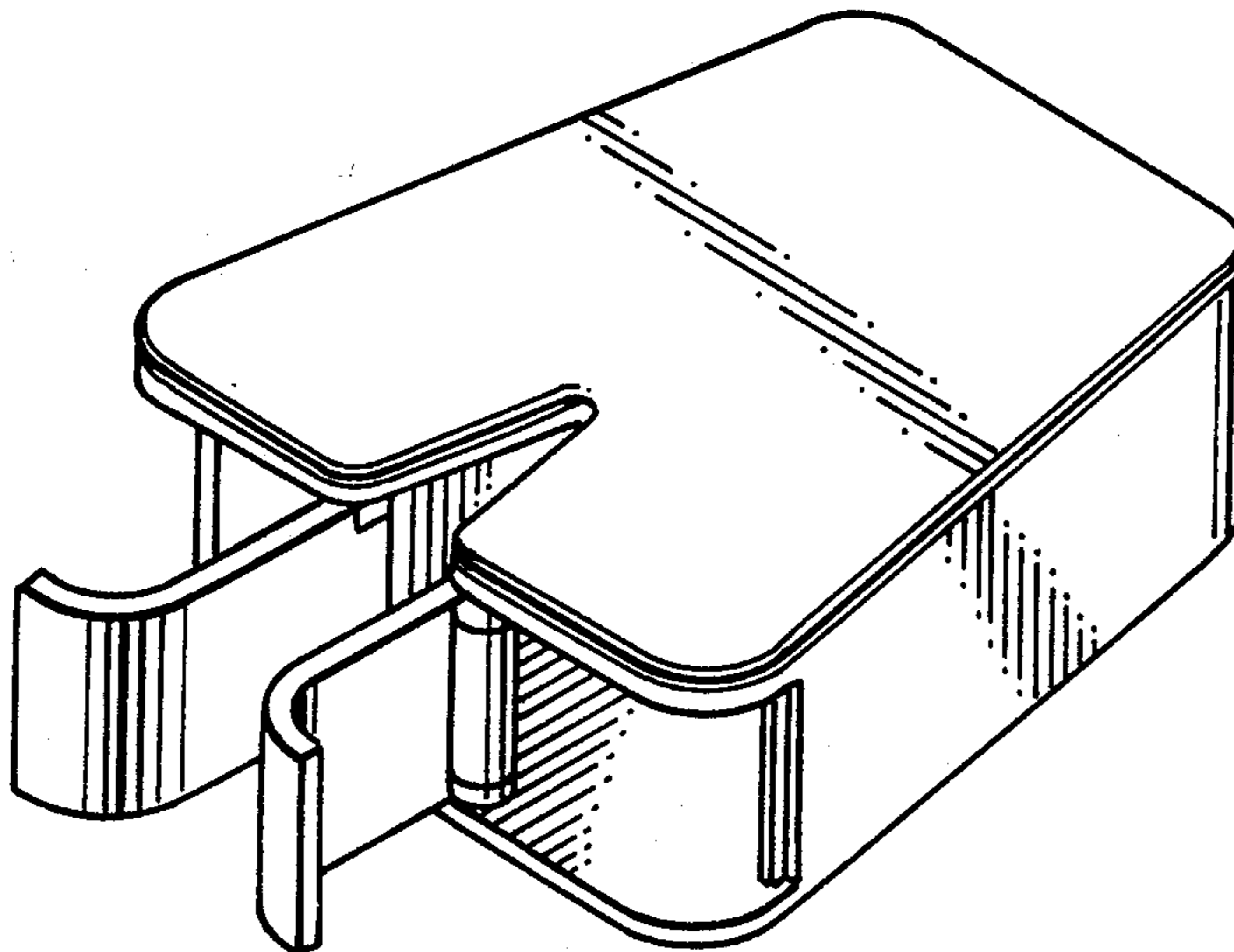


FIG. 1.

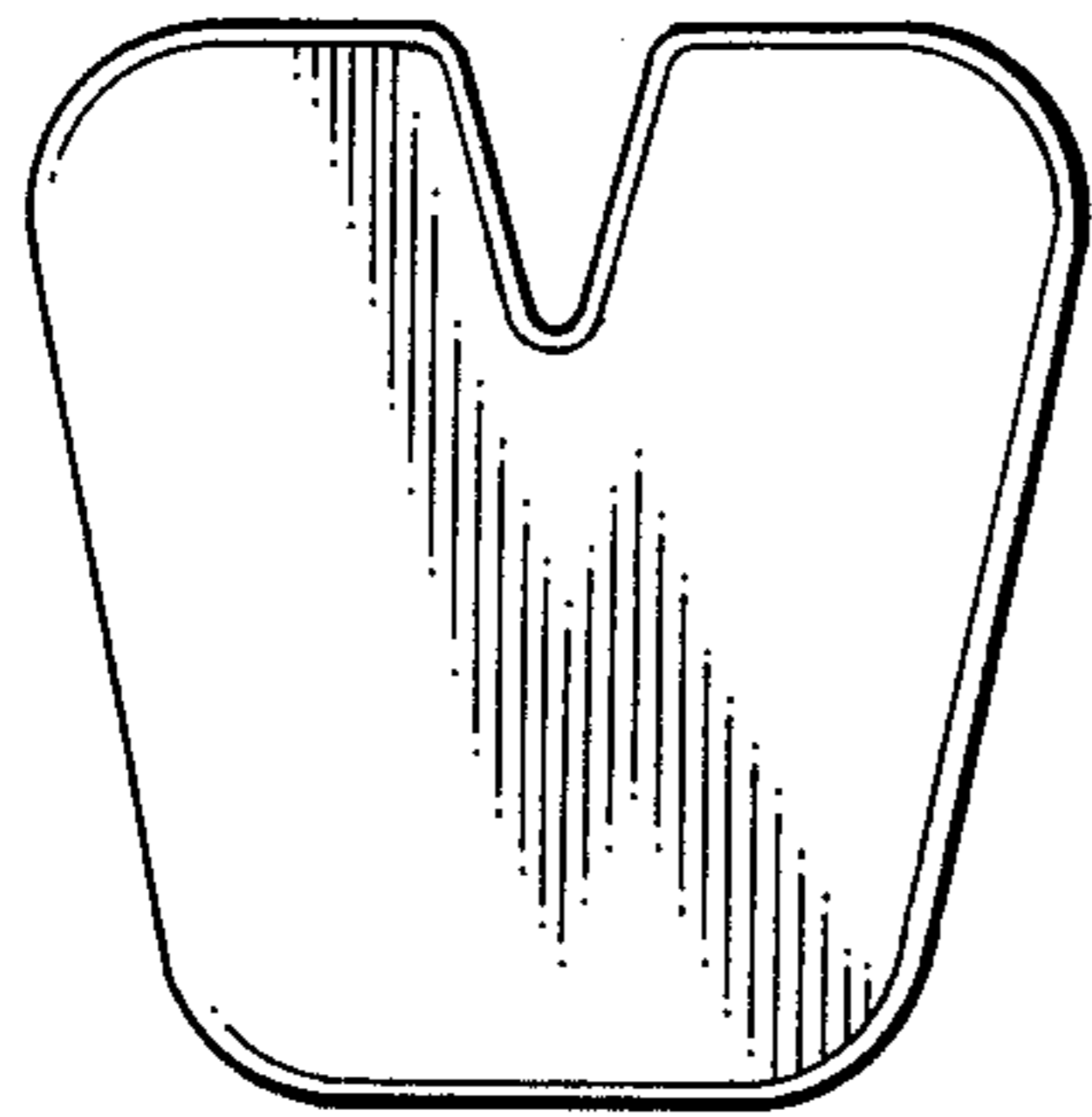


FIG. 2.

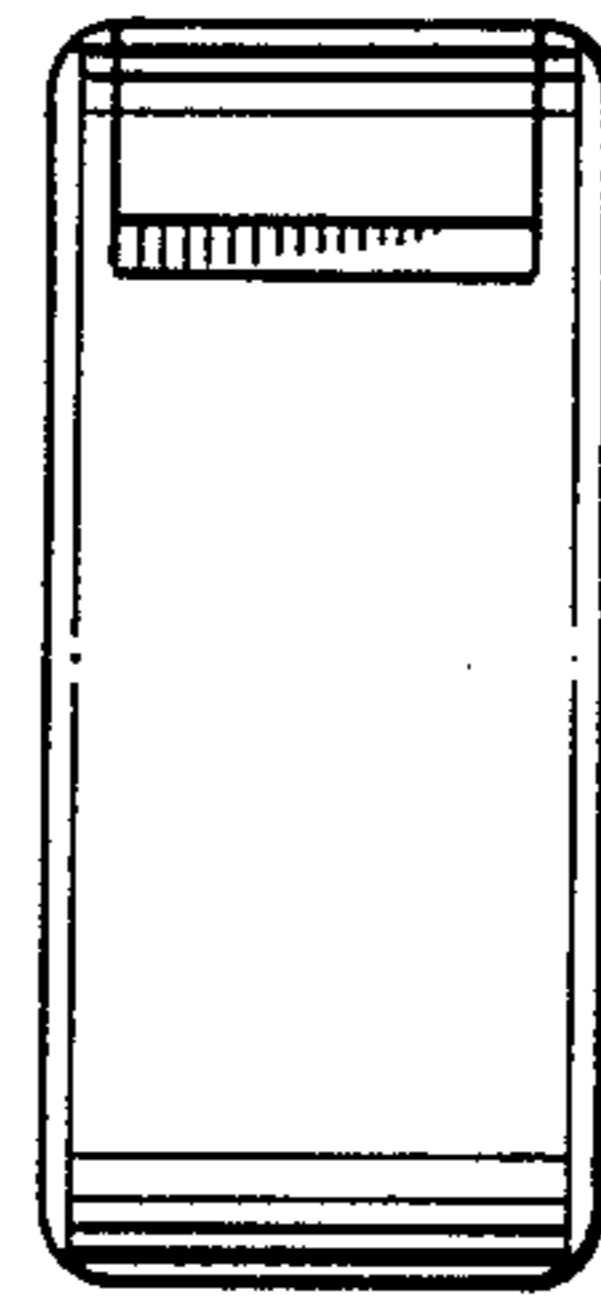


FIG. 3.

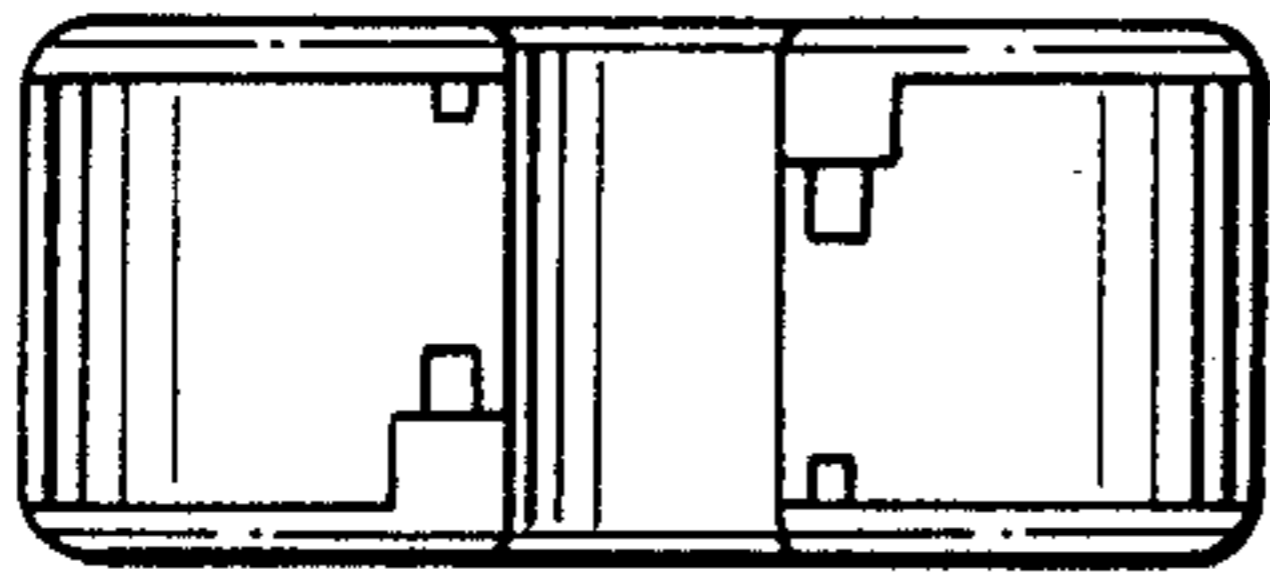


FIG. 4.

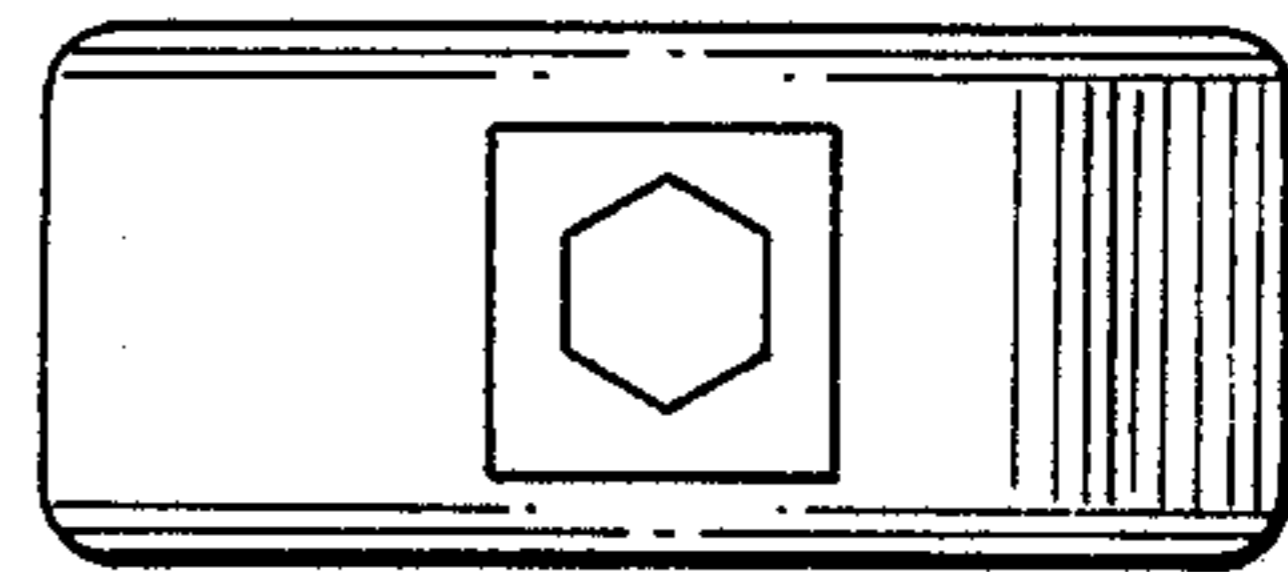


FIG. 5.

