

[54] **SIMULATIVE TOY COMPACT AND COMB**

[75] **Inventor: Hiroshi Ukisu, Matsudo, Japan**

[73] **Assignee: Epoch Company, Ltd., Tokyo, Japan**

[**] **Term: 14 Years**

[21] **Appl. No.: 131,529**

[22] **Filed: Dec. 11, 1987**

[52] **U.S. Cl. D21/59; D28/25; D28/77**

[58] **Field of Search D21/59, 109; D3/20, D3/21; D9/307, 332, 333, 341, 430; 446/71, 73, 75, 80, 475, 483, 489, 491; 434/159, 160, 403; 273/157 R; D28/25, 77**

[56] **References Cited**

U.S. PATENT DOCUMENTS

D. 112,272 11/1938 Blunt D9/333

D. 172,726 7/1954 Polk D28/77
D. 260,190 8/1981 Williams D28/25
D. 264,009 4/1982 Lam D28/25
4,666,042 5/1987 Dlott et al. 446/73

Primary Examiner—Charles A. Rademaker
Attorney, Agent, or Firm—Staas & Halsey

[57] **CLAIM**

The ornamental design for a simulative toy compact and comb, as shown and described.

DESCRIPTION

FIG. 1 is a front elevational view of a simulative toy compact and comb showing my new design; FIG. 2 is a left side elevational view thereof; FIG. 3 is a rear elevational view thereof; FIG. 4 is a top plan view thereof; FIG. 5 is a bottom plan view thereof; and FIG. 6 is a perspective view thereof with the cover in an open position and the comb removed.

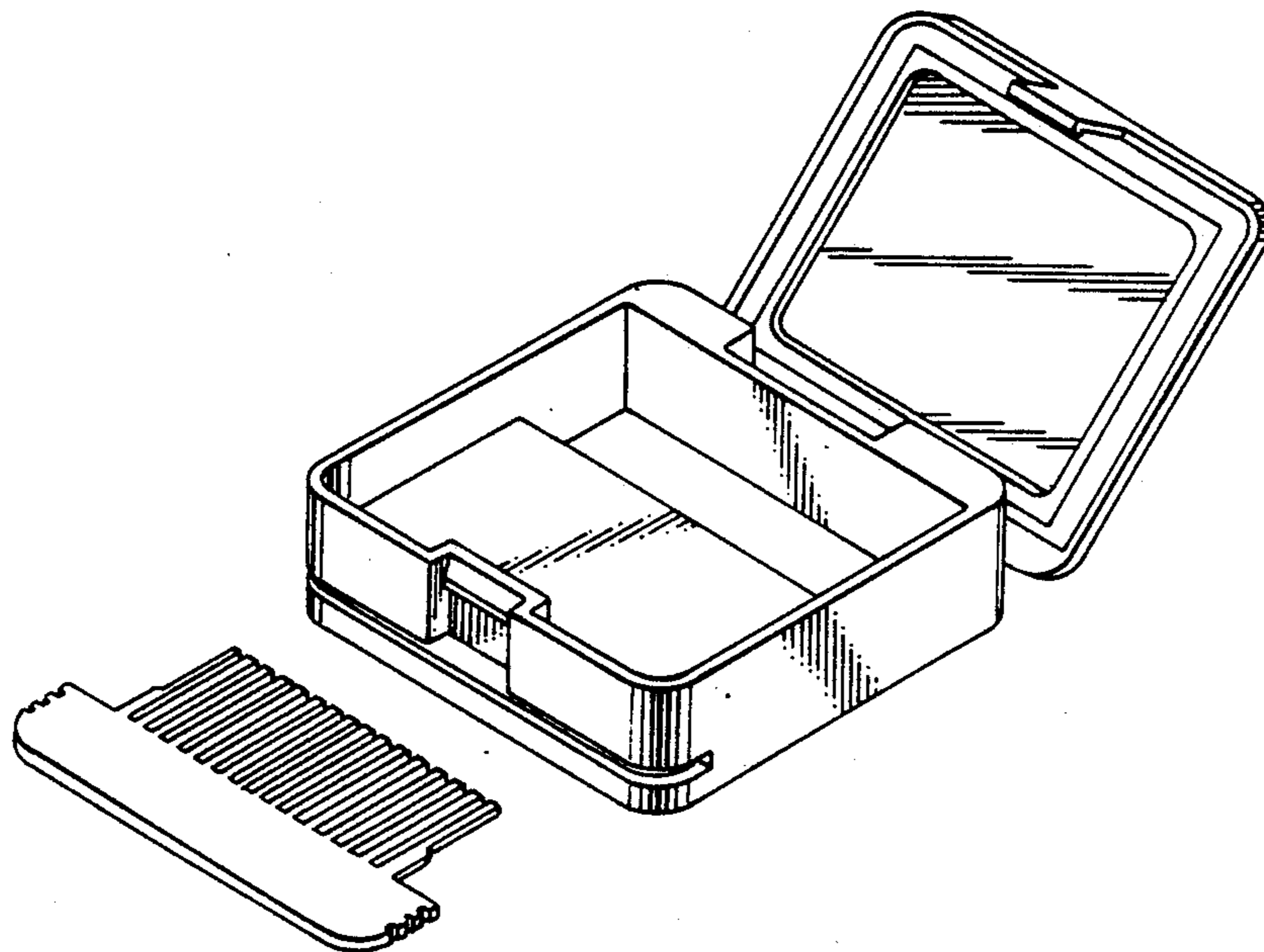


FIG. 1.

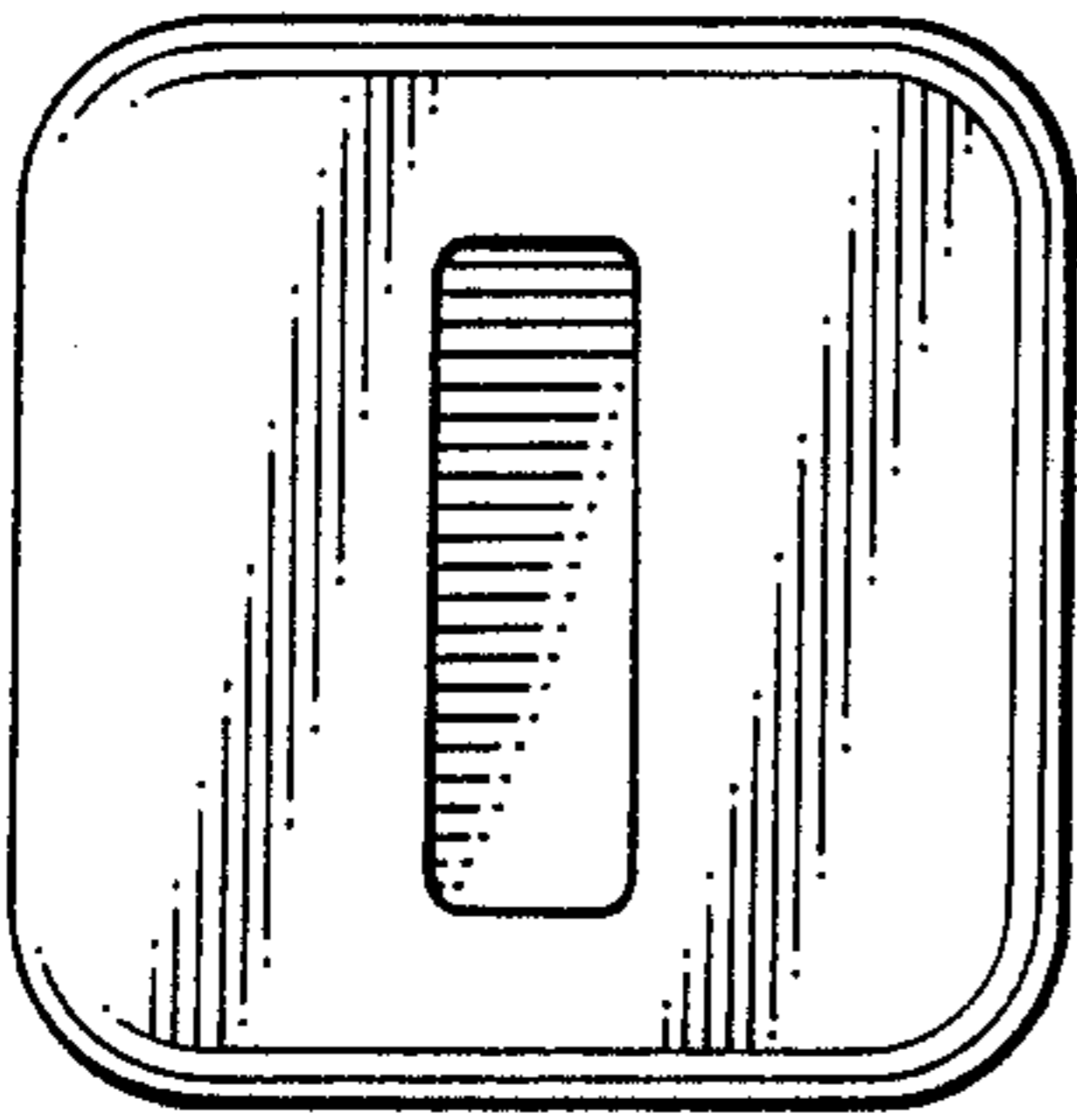


FIG. 2.

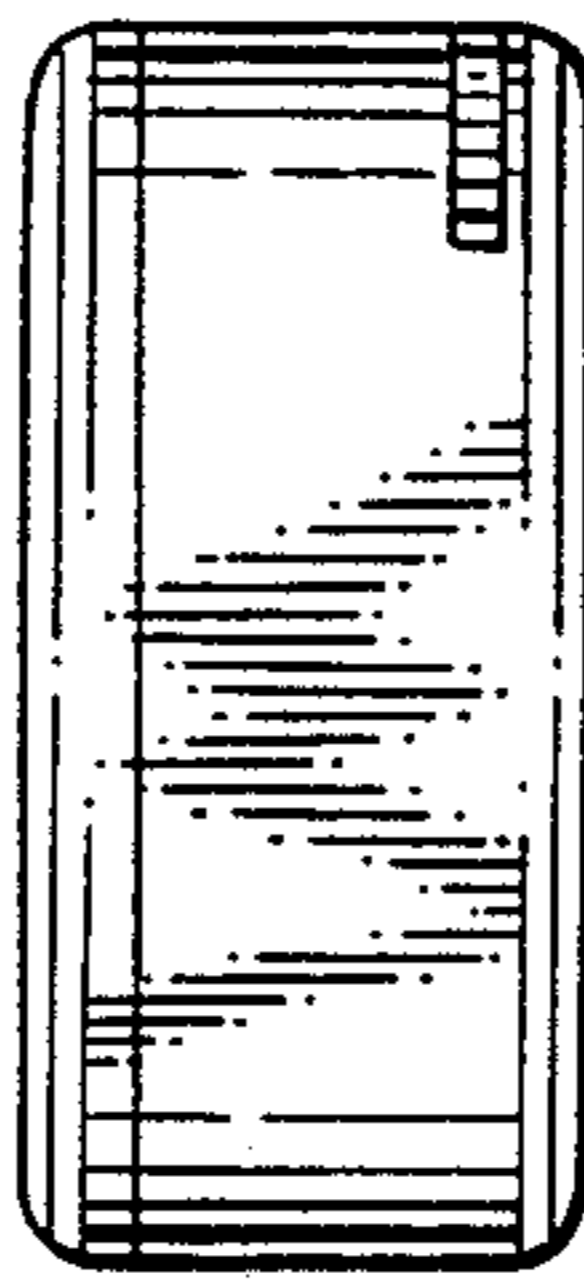


FIG. 3.

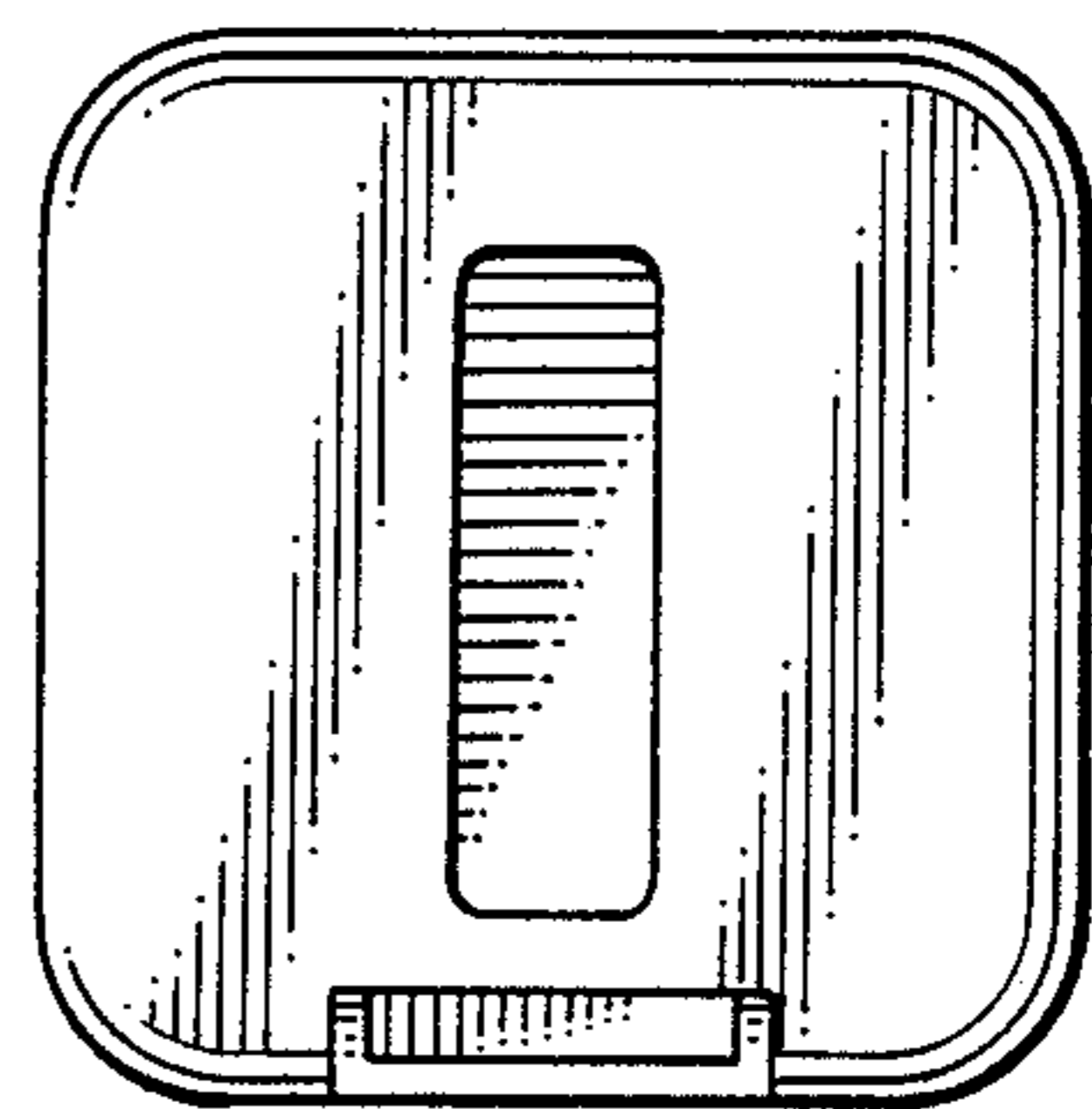


FIG. 4.

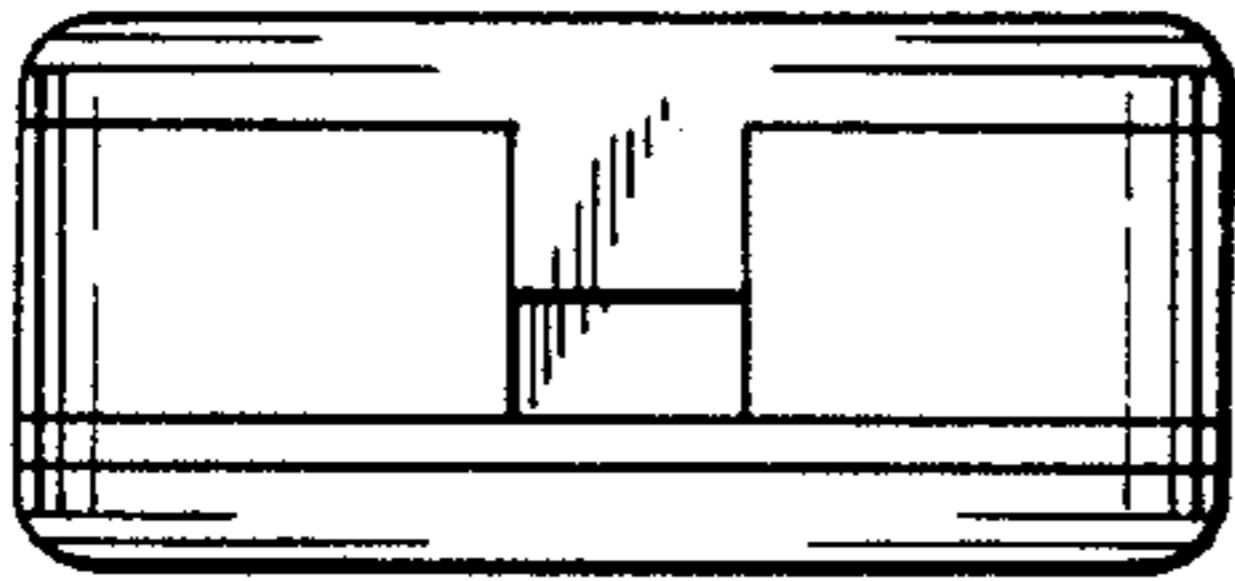


FIG. 5.

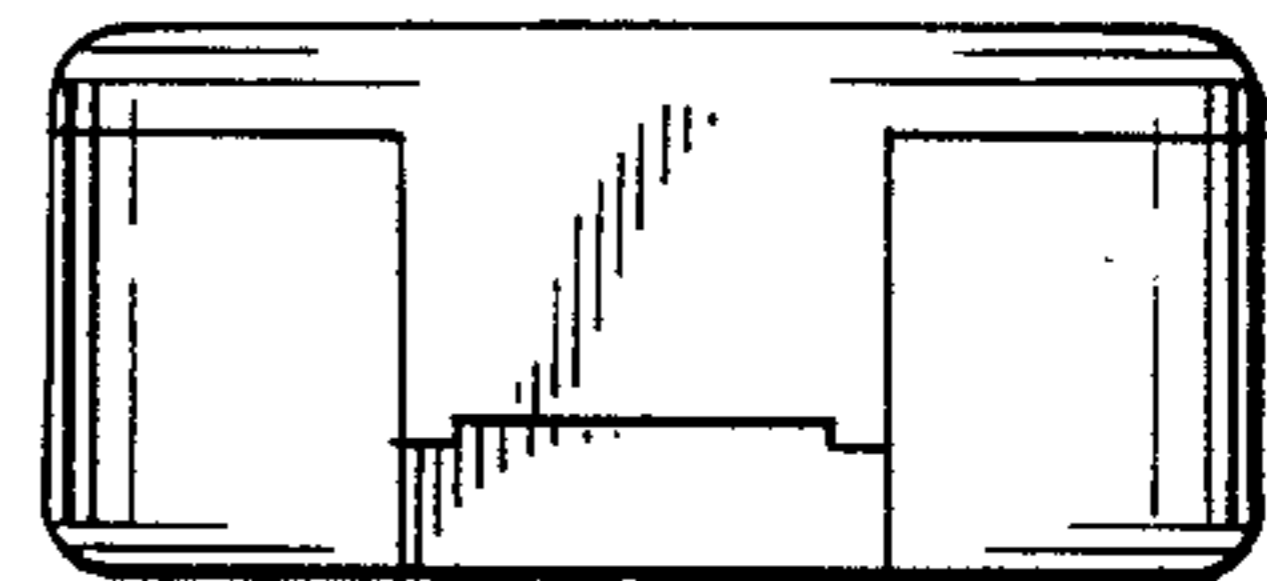


FIG. 6.

