

[54] SIMULATIVE TOY TOOL

[75] Inventor: Hiroshi Ukisu, Tokyo, Japan

[73] Assignee: Epoch Company, Ltd., Tokyo, Japan

[\*\*] Term: 14 Years

[21] Appl. No.: 131,527

[22] Filed: Dec. 11, 1987

[52] U.S. Cl. .... D21/59; D9/333; D21/120

[58] Field of Search ..... D21/59, 109, 120; D3/20, 21; D9/307, 332, 333, 341, 420; 446/71, 73, 75, 80, 475, 483, 489, 491; 434/159, 160, 403; 273/157 R, 156; D8/107, 105, 14; D28/59

[56] References Cited

U.S. PATENT DOCUMENTS

D. 10,871 10/1878 Weller et al. .... D9/333

D. 17,982 12/1887 Gardner ..... D9/333  
D. 112,273 11/1938 Blunt ..... D9/333  
D. 114,390 4/1939 Bocchino ..... D28/59  
1,990,630 2/1935 Bensoc ..... D28/56

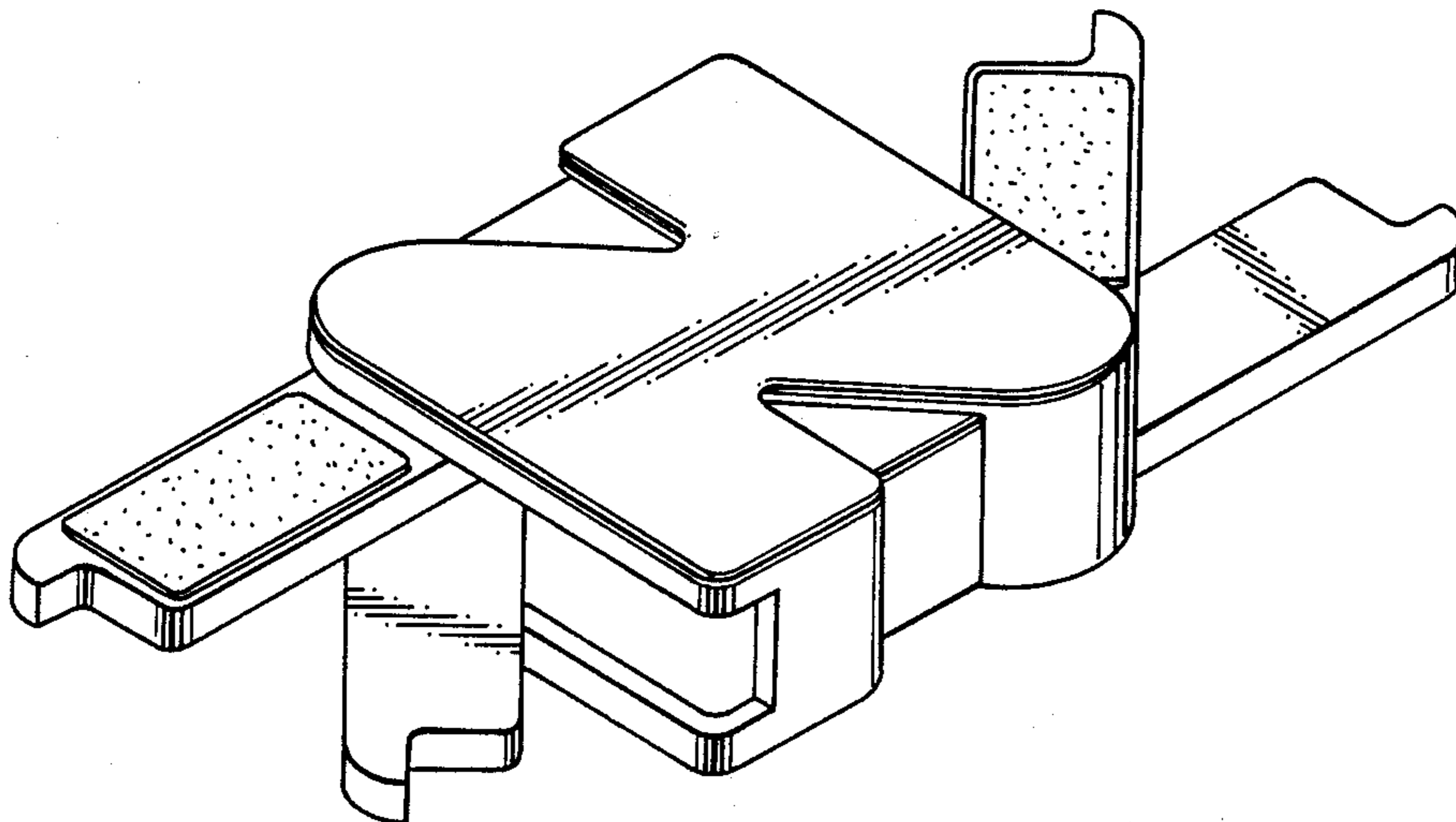
Primary Examiner—Charles A. Rademaker  
Attorney, Agent, or Firm—Staas & Halsey

[57] CLAIM

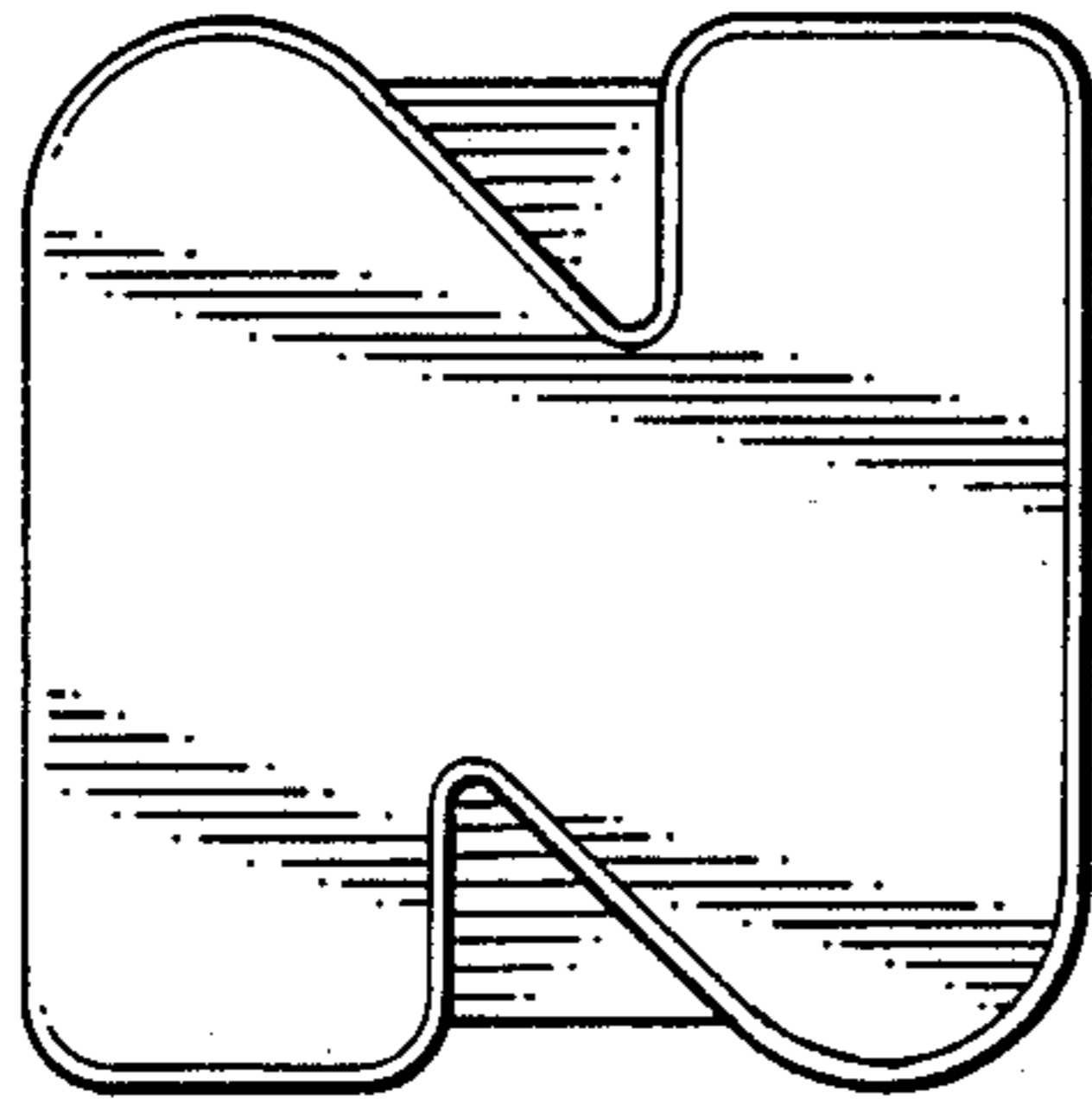
The ornamental design for a simulative toy tool, as shown and shown.

DESCRIPTION

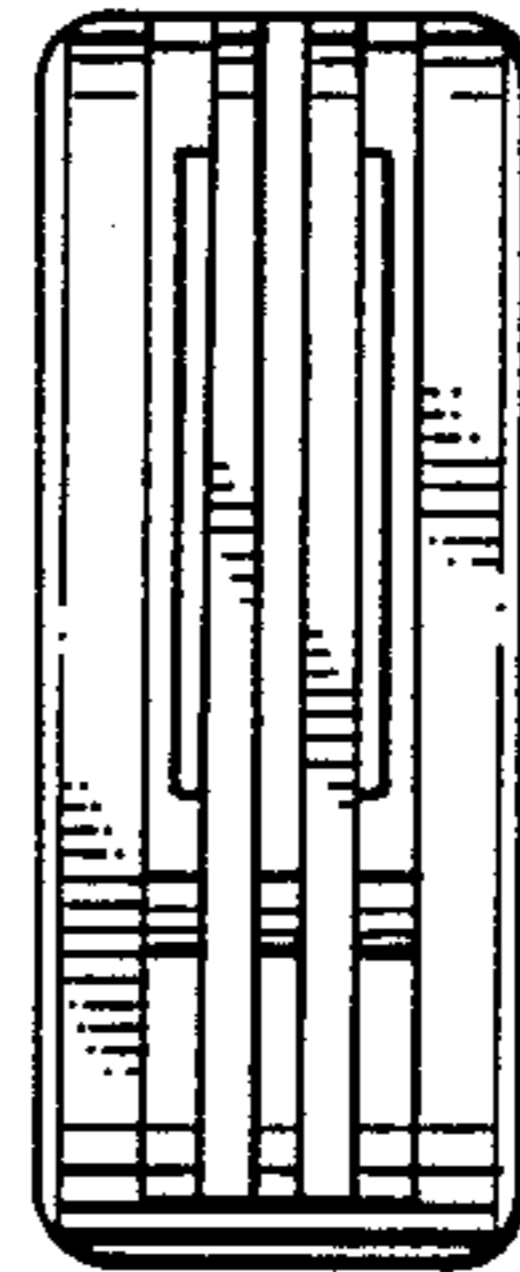
FIG. 1 is a front elevational view of a simulative toy tool showing my new design, the side opposite being substantially a mirror image;  
FIG. 2 is a right side elevational view thereof, the side opposite being a mirror image;  
FIG. 3 is a bottom plan view thereof; and,  
FIG. 4 is a perspective view thereof in an open position.



**FIG. 1.**



**FIG. 2.**



**FIG. 3.**



**FIG. 4.**

