

[54] WRITING INSTRUMENT HOLDER

[75] Inventor: A. T. Lee, Taipei, Taiwan

[73] Assignee: Pioneer Industrial Corp., Taipei, Taiwan

[\*\*] Term: 14 Years

[21] Appl. No.: 32,072

[22] Filed: Mar. 27, 1987

[52] U.S. Cl. .... D19/85; D19/57; D19/81; D19/84

[58] Field of Search ..... D19/35, 36, 41-51, D19/57, 58, 77, 81, 83, 84, 85; 24/10 R; 401/131; 206/214

[56] References Cited

U.S. PATENT DOCUMENTS

- D. 196,884 11/1963 Furlong ..... D19/83 X
- D. 201,479 6/1965 Green ..... D19/84
- D. 291,452 8/1987 Kodera ..... D19/57
- D. 299,150 12/1988 Birch ..... D19/85
- 2,412,938 12/1946 Amoth ..... 24/10 R

4,573,818 3/1986 Kodera ..... 401/202 X

Primary Examiner—Nelson C. Holtje  
Assistant Examiner—Martha Thompson  
Attorney, Agent, or Firm—Ladas & Parry

[57] CLAIM

The ornamental design for a writing instrument holder, as shown and described.

DESCRIPTION

FIG. 1 is a perspective view of a writing instrument holder, showing my new design; FIG. 2 is a front elevational view; FIG. 3 is a rear elevational view; FIG. 4 is a bottom plan view; FIG. 5 is a top plan view; FIG. 6 is a side elevational view, the opposite side being a mirror image thereof; and FIG. 7 is a perspective view of my design in an alternate position.

The writing instruments depicted by means of broken lines in FIG. 7 are shown for illustrative purposes only and forms no part of the claimed design.

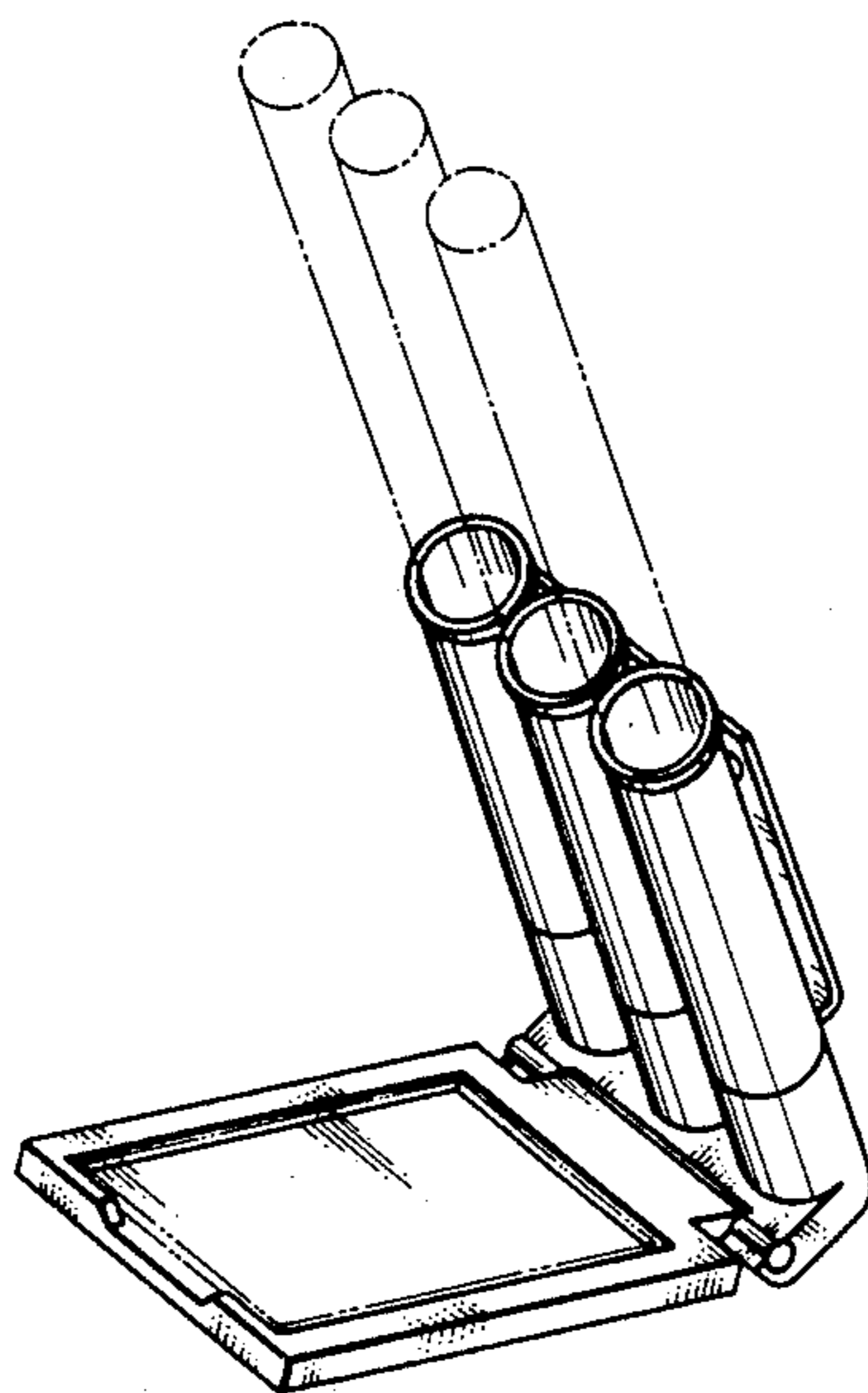


FIG. 1

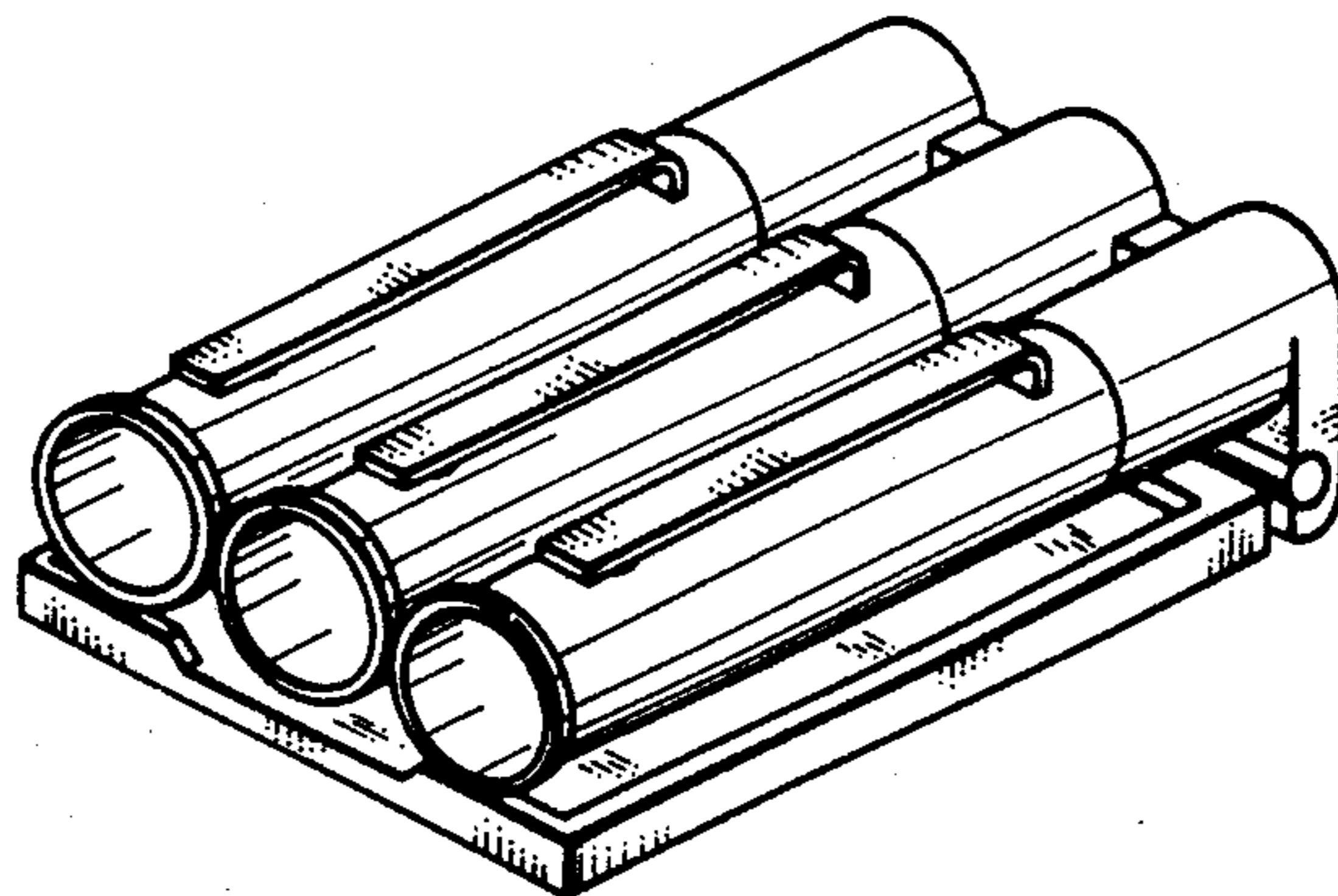


FIG. 2

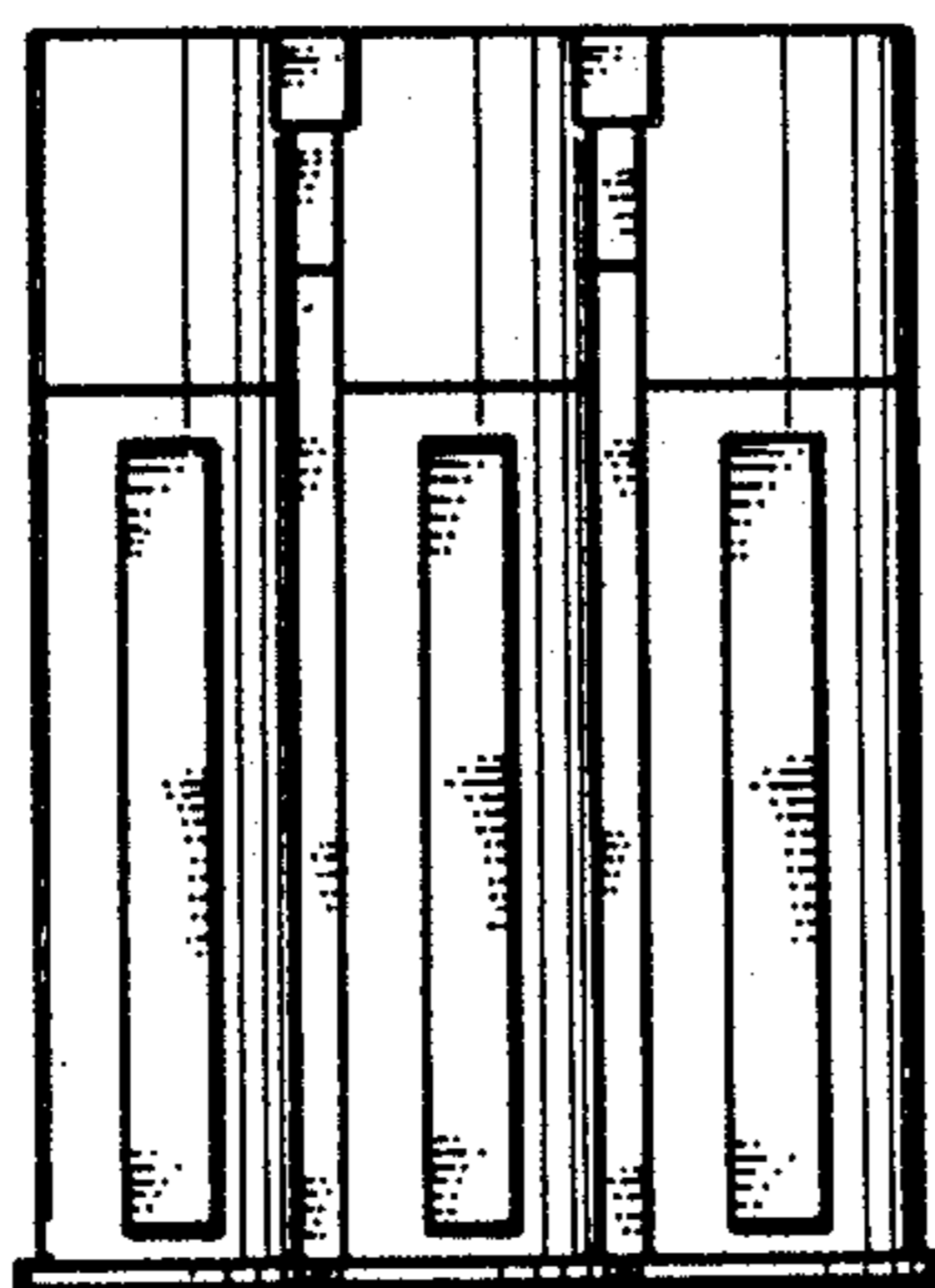


FIG. 3

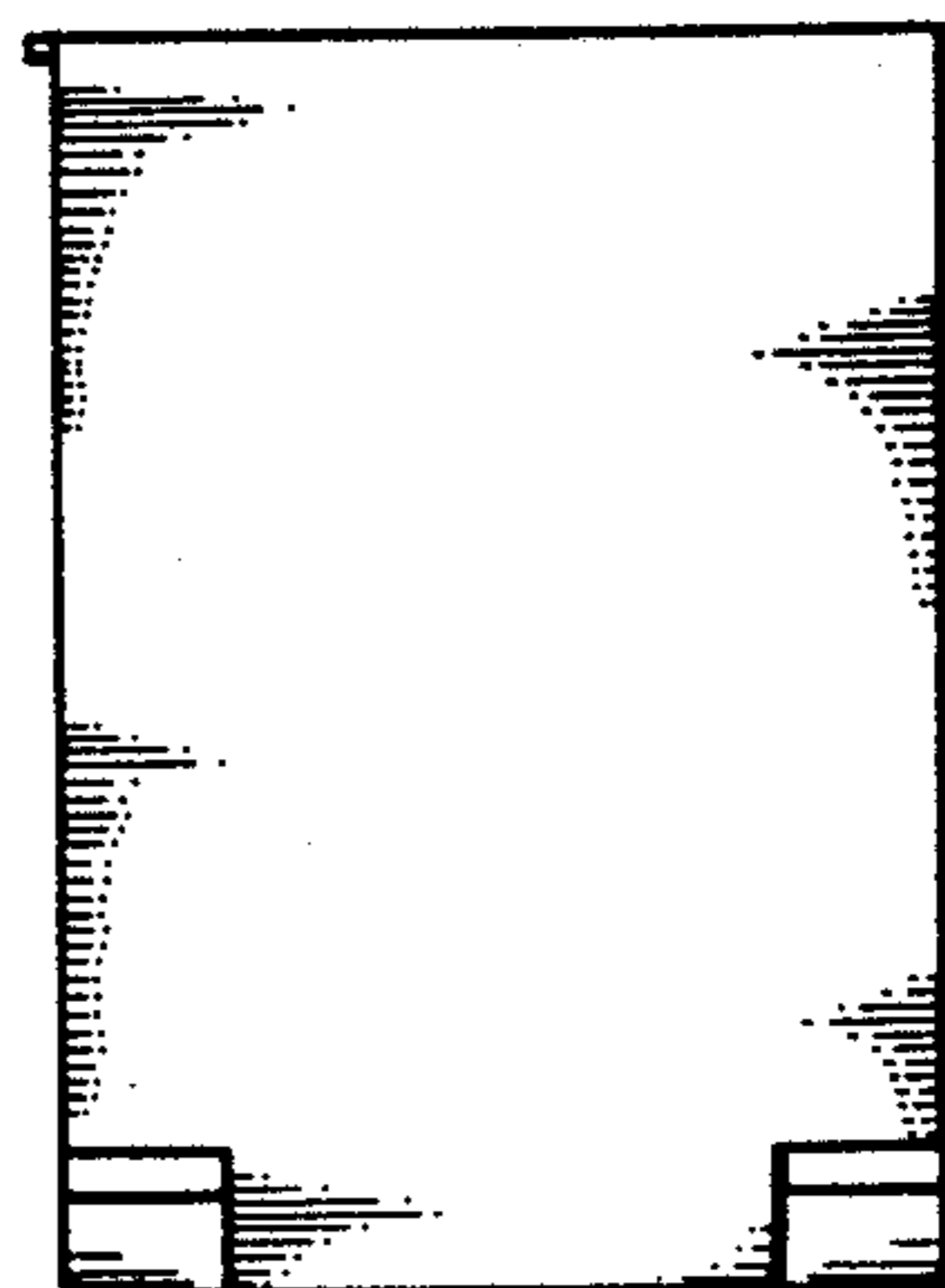


FIG. 4

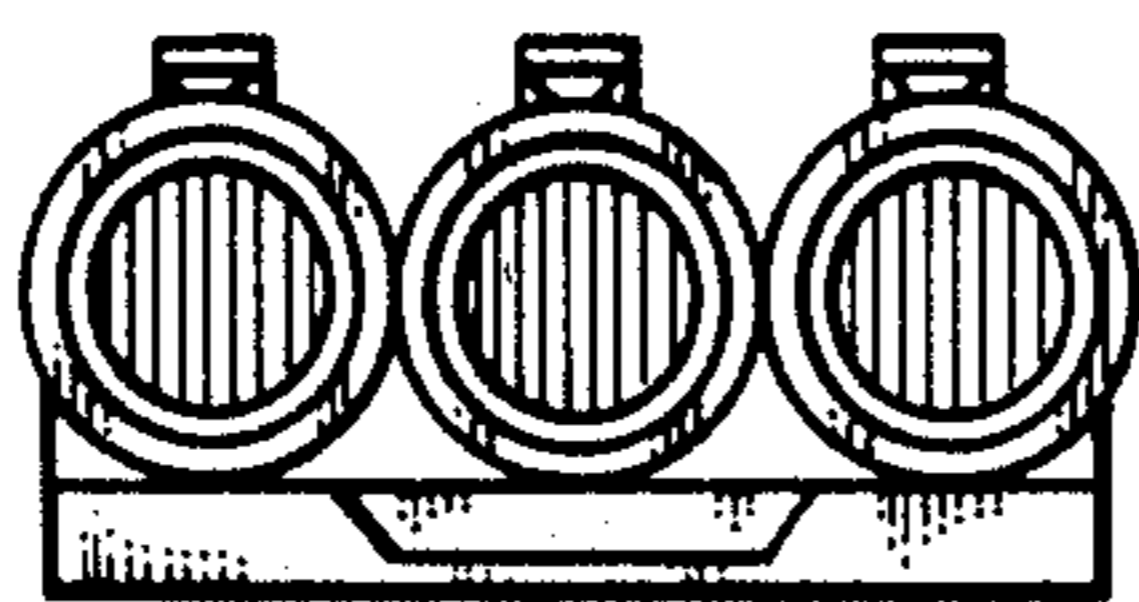


FIG. 5



FIG. 6

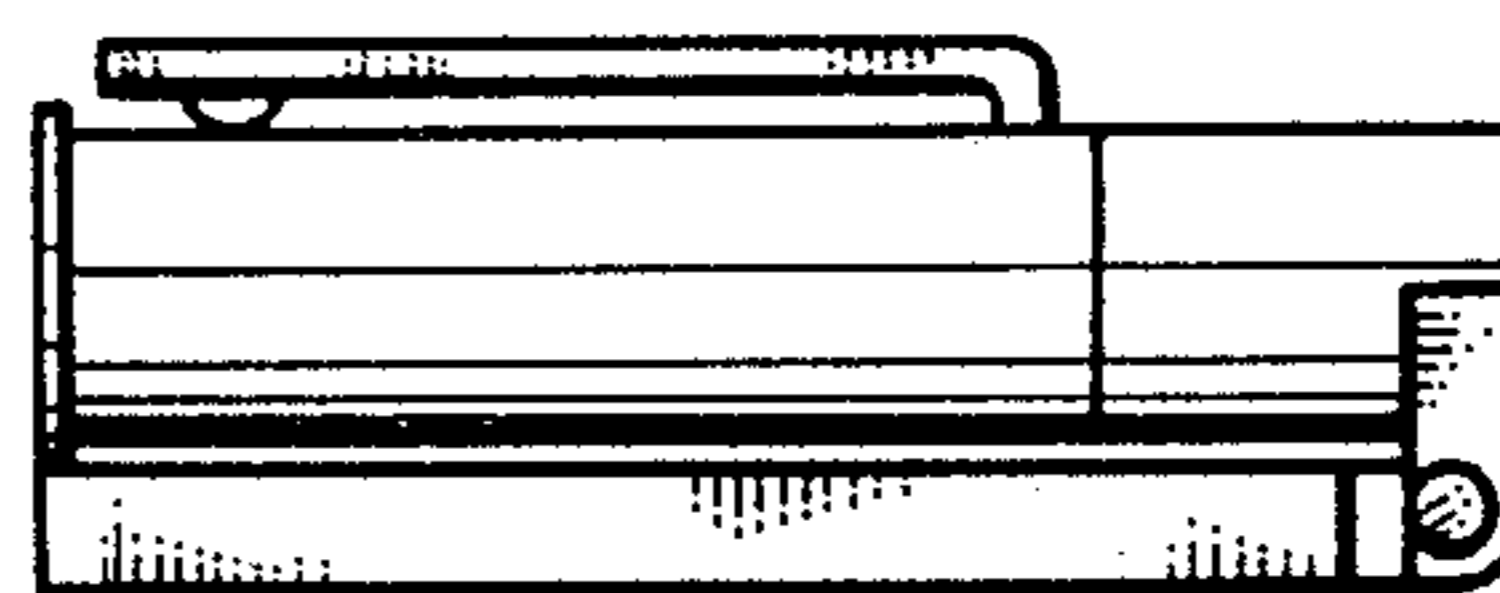


FIG. 7

