

United States Patent [19]

Swayze

[11] Patent Number: **Des. 305,769**

[45] Date of Patent: **** Jan. 30, 1990**

[54] **STILL VIDEO CAMERA**

4,623,931 11/1986 Inaga et al. 358/227

[75] Inventor: **Samuel F. Swayze, Fairport, N.Y.**

[73] Assignee: **Eastman Kodak Company,
Rochester, N.Y.**

[**] Term: **14 Years**

[21] Appl. No.: **34,314**

[22] Filed: **Apr. 3, 1987**

[52] U.S. Cl. **D16/202**

[58] Field of Search **D16/200, 202, 205, 206;
352/242; 354/288; 358/227, 229, 906**

[56] **References Cited**

U.S. PATENT DOCUMENTS

D. 270,643 9/1983 Alie et al. D16/202
D. 284,082 6/1986 Masatsugu et al. D16/202
4,052,728 10/1977 Hendry et al. 354/86

OTHER PUBLICATIONS

Modern Photography, 1986 (Jun.) p. 38.
35 mm. Photography, Jun. 1986, p. 69.
"Casio Point & Shoot Still Video Camera", Modern
Photography, Mar. 1987, p. 10.

Primary Examiner—Bernard Ansher
Assistant Examiner—Adir Aronovich
Attorney, Agent, or Firm—David M. Woods

[57] **CLAIM**

The ornamental design for a still video camera, as shown.

DESCRIPTION

FIG. 1 is a top front perspective view of a still video camera showing my new design;
FIG. 2 is a bottom rear perspective view thereof.

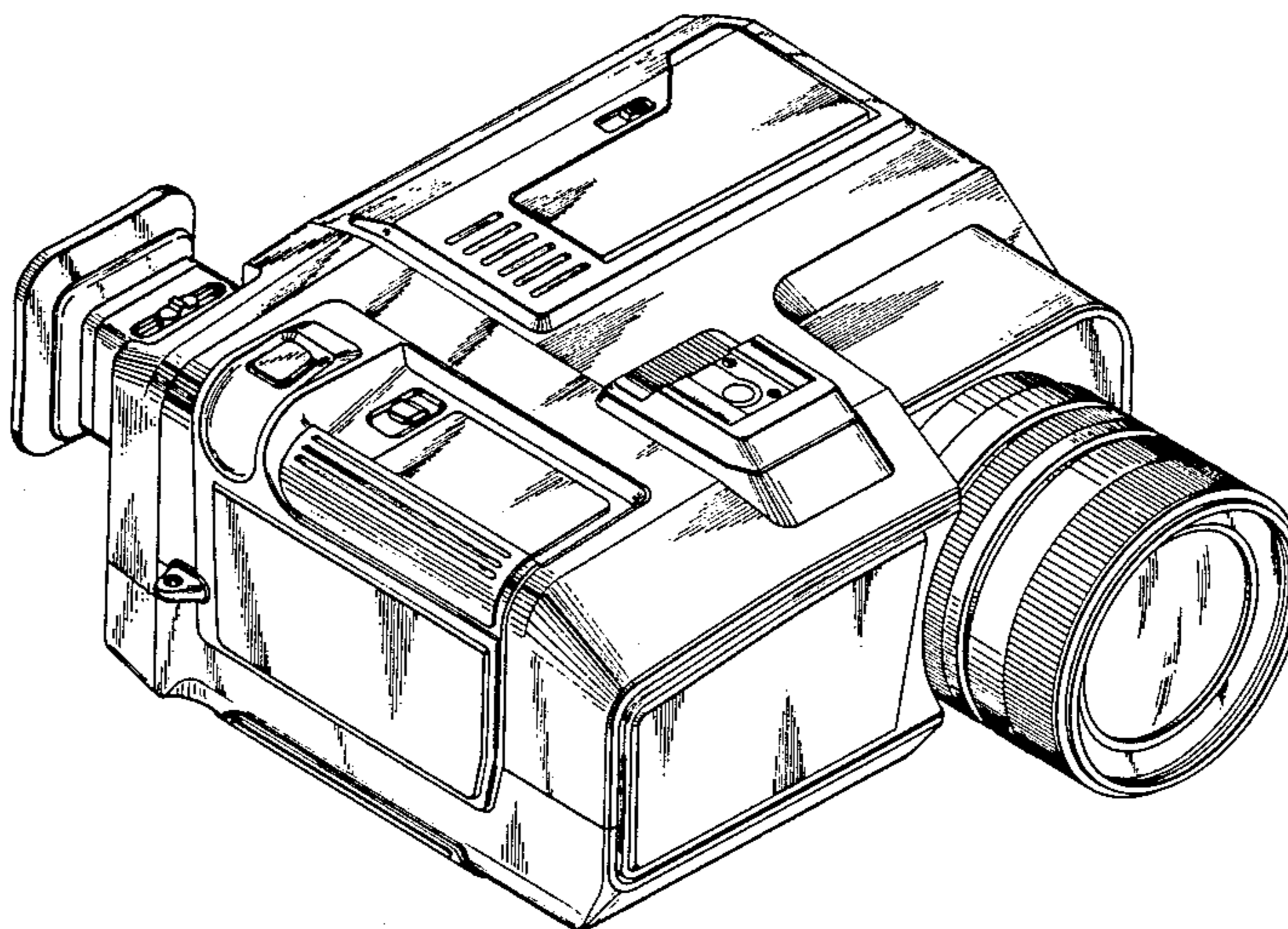
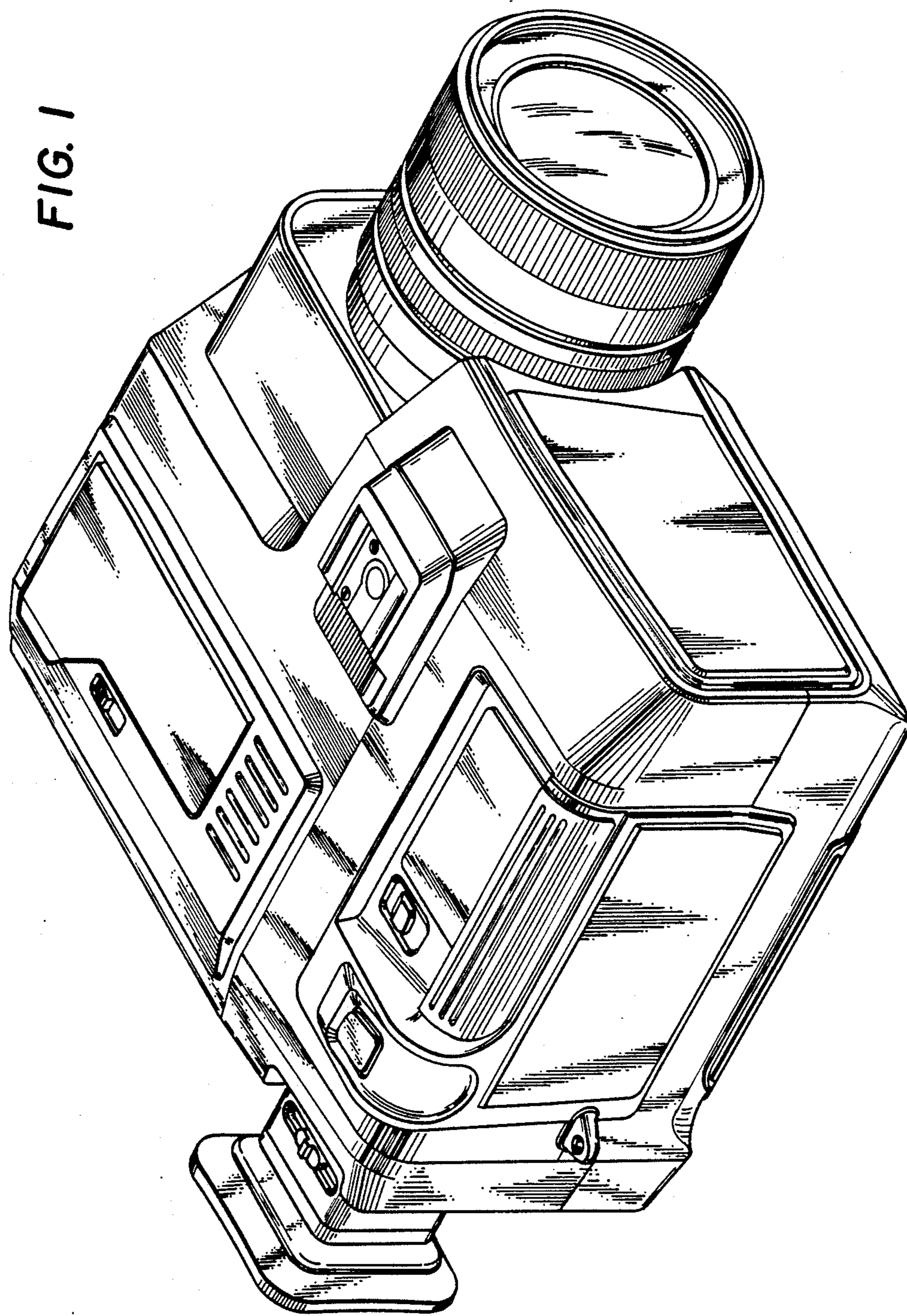


FIG. 1



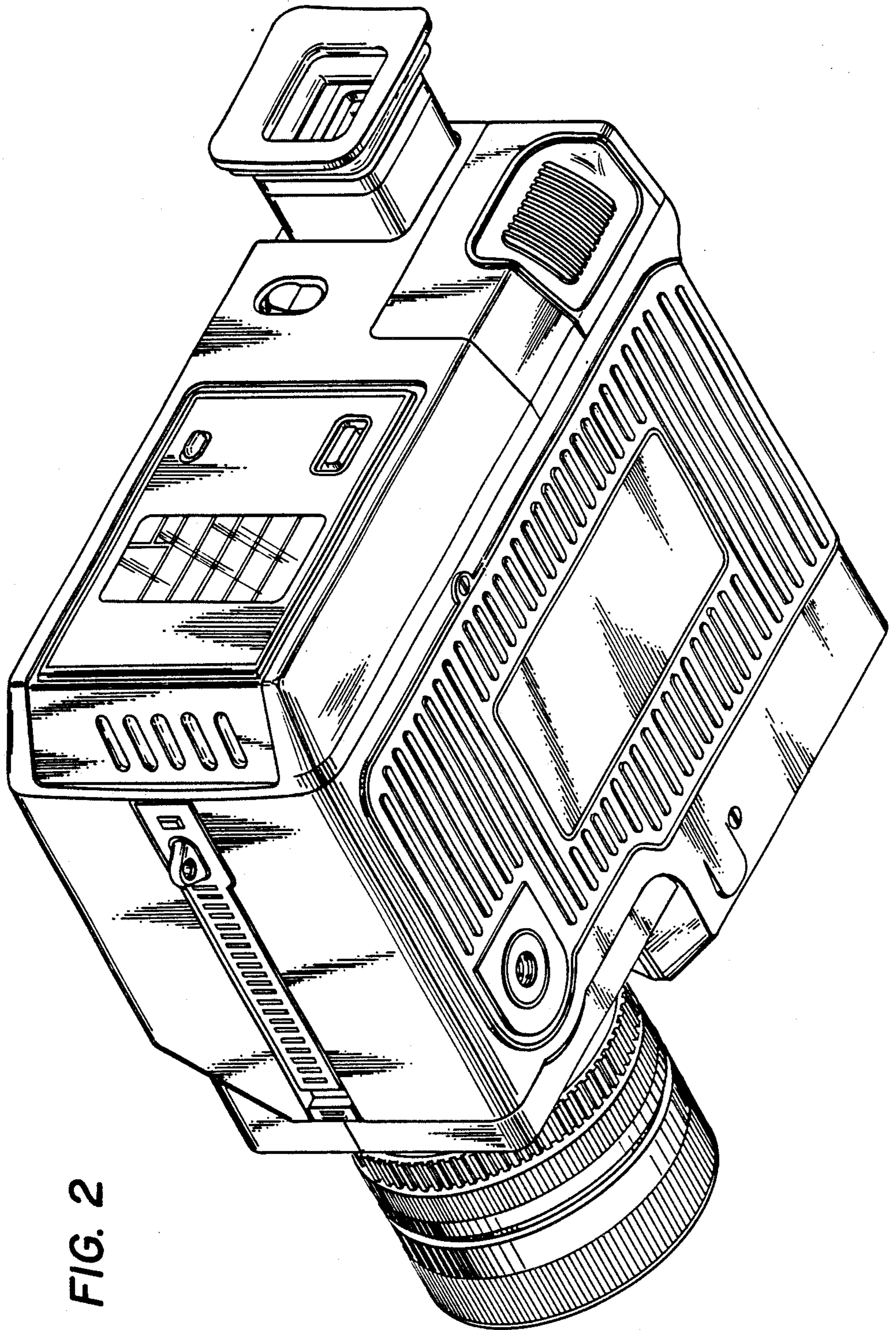


FIG. 2