

[54] **ROCKER COVER**

[75] **Inventor: John R. Tauschke, Dandenong, Australia**

[73] **Assignee: Tauschke Nominees Pty. Ltd., Victoria, Australia**

[**] **Term: 14 Years**

[21] **Appl. No.: 129,075**

[22] **Filed: Dec. 7, 1987**

[30] **Foreign Application Priority Data**

May 29, 1987 [AU] Australia 1887/87

[52] **U.S. Cl. D15/5**

[58] **Field of Search D15/1, 3, 5; 123/90.38, 123/195 C, 198 E**

[56] **References Cited**

U.S. PATENT DOCUMENTS

D. 252,878 9/1979 Bellino et al. D15/5

OTHER PUBLICATIONS

J. C. Whitney Catalogue, #466-C, 3/24/86, p. 191—Valve Cover.

J. C. Whitney Catalogue, #466-C, 3/24/86, p. 193—Black Krinkle Cast Aluminum Valve Cover.

Primary Examiner—Wallace R. Burke

Assistant Examiner—Brian N. Vinson

Attorney, Agent, or Firm—Flehr, Hohbach, Test, Albritton & Herbert

[57] **CLAIM**

The ornamental design for a rocker cover, as shown and described.

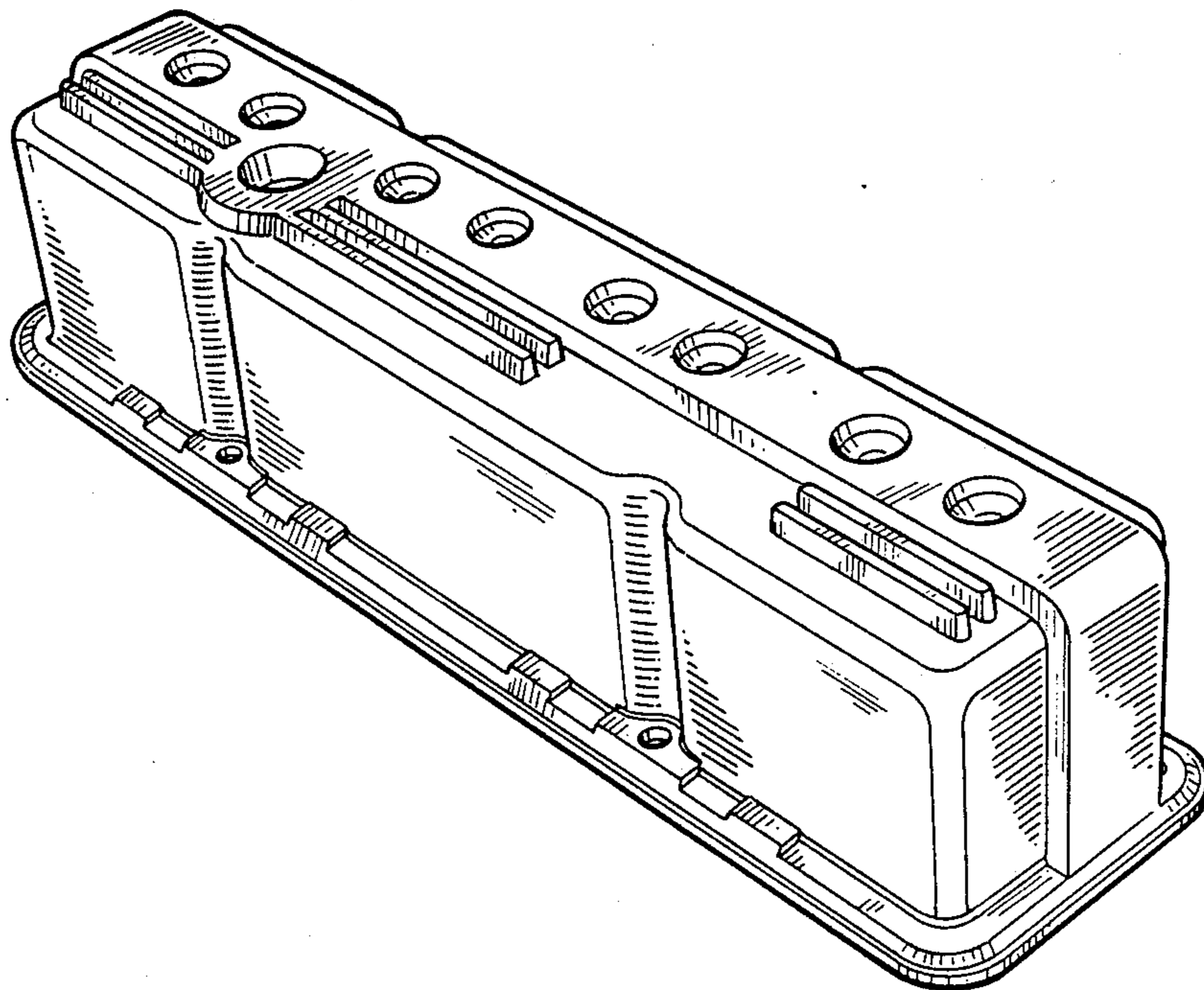
DESCRIPTION

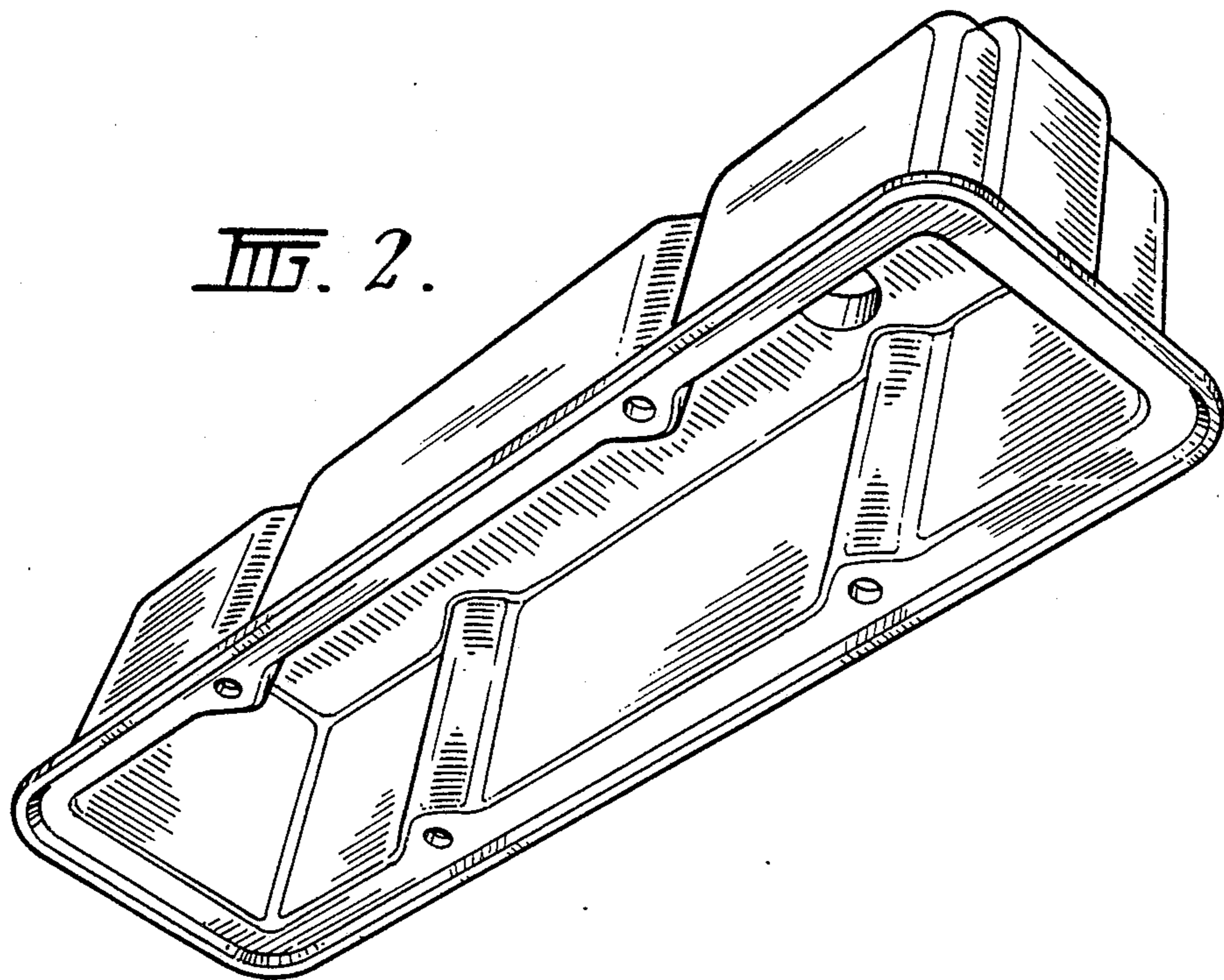
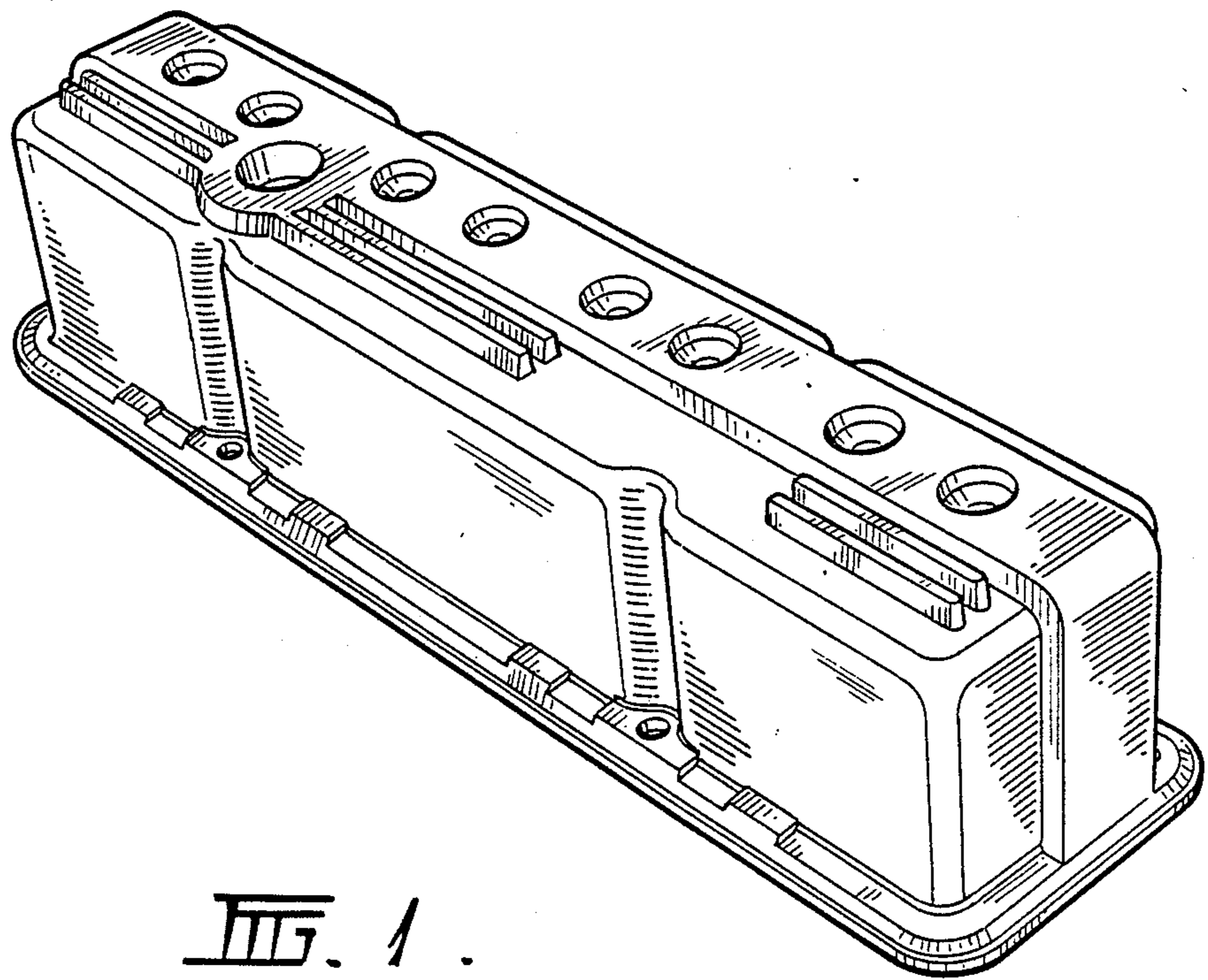
FIG. 1 is a perspective view of a rocker cover showing my new design;

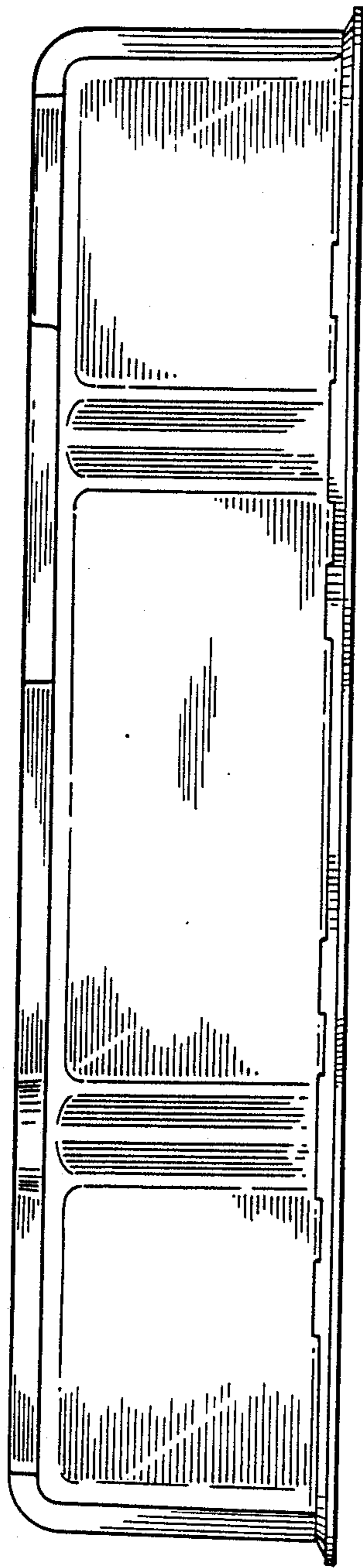
FIG. 2 is a bottom perspective view thereof;

FIG. 3 is a side elevational view thereof, the opposite side being substantially similar in appearance; and

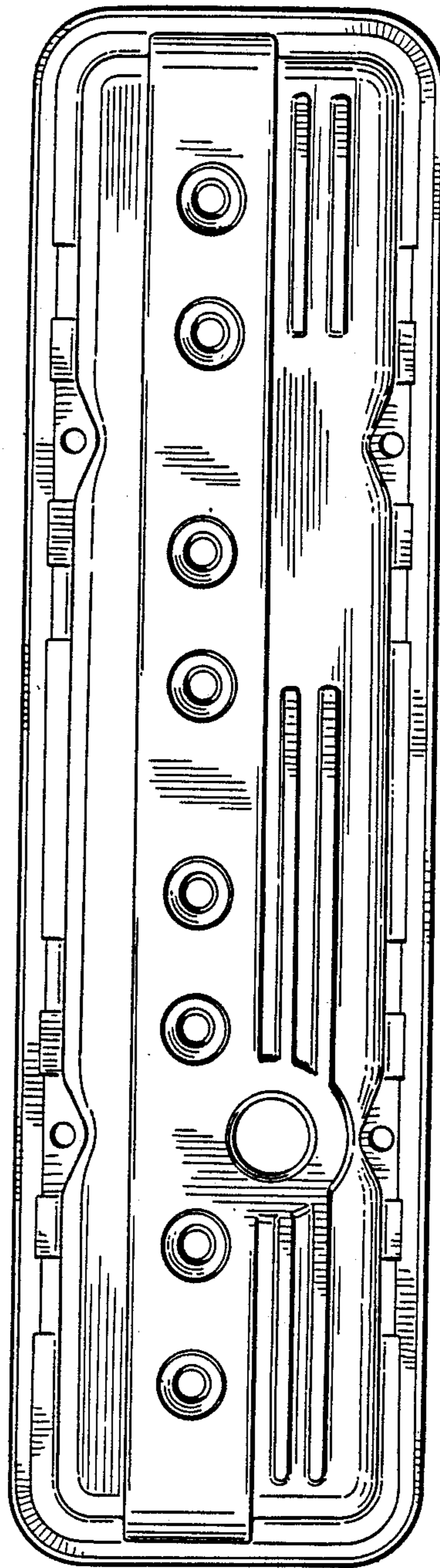
FIG. 4 is a top plan view thereof.







III. 3.



III. 4.