

[54] INDOOR ANTENNA
[75] Inventor: Guo-Bang Tai, Taipei, Taiwan
[73] Assignee: King Feng Co., Ltd., Taipei, Taiwan
[**] Term: 14 Years
[21] Appl. No.: 909,411
[22] Filed: Sep. 19, 1986
[30] Foreign Application Priority Data
Aug. 5, 1986 [TW] Taiwan 75304072
[52] U.S. Cl. D14/231; D14/235
[58] Field of Search D14/230-238;
343/720, 721, 730, 741, 746, 747, 748, 805, 806,
815, 820, 872, 873, 907, 908, 909

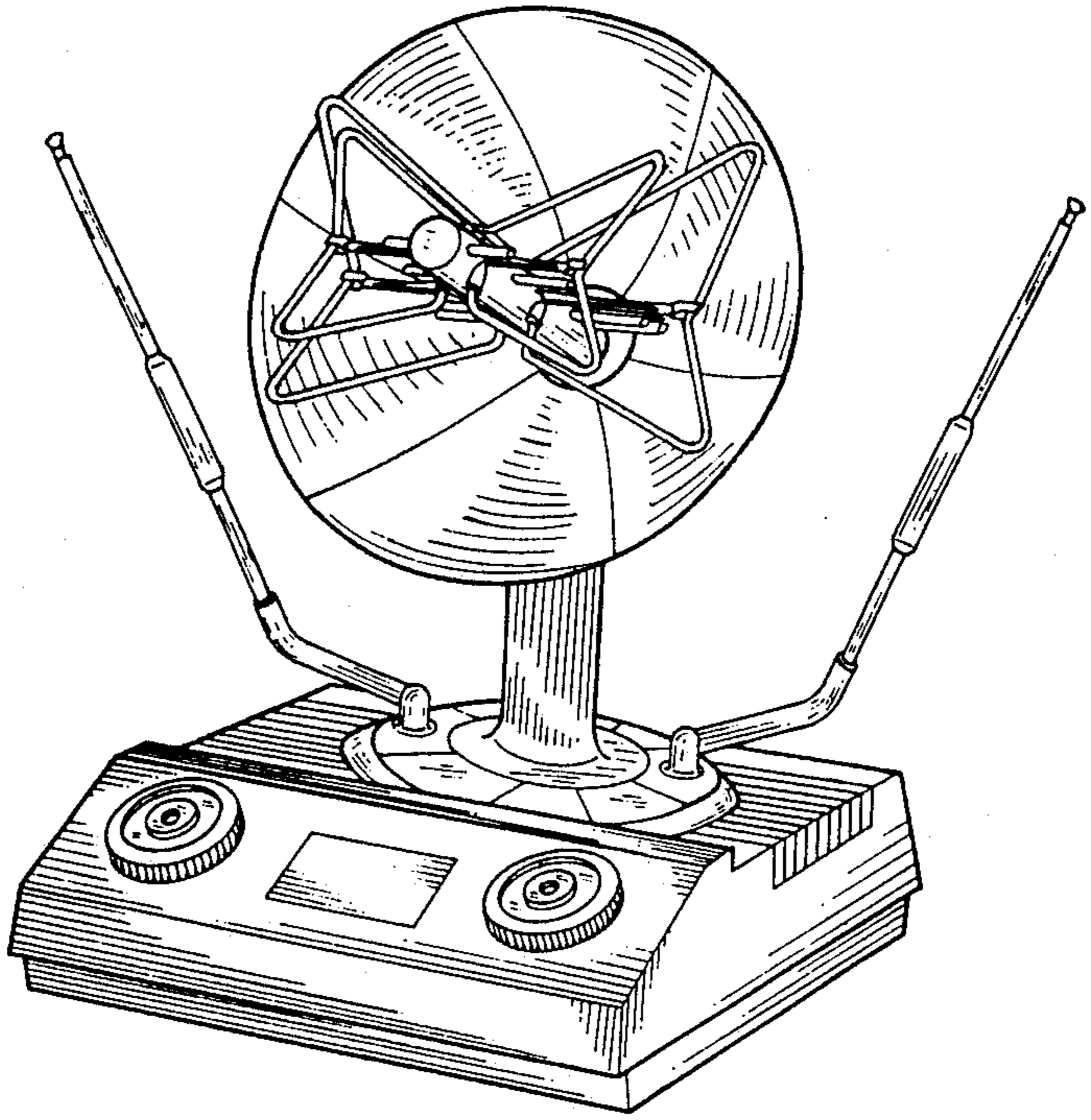
[56] References Cited
U.S. PATENT DOCUMENTS
D. 211,179 5/1968 Rosenberry et al. D14/234
D. 226,274 2/1973 Callighan et al. D14/235
D. 238,430 1/1976 Lanson et al. D14/235
3,478,361 11/1969 Middlemark 343/730

3,739,388 6/1973 Callaghan 343/741 X

OTHER PUBLICATIONS
Video Review, Aug. 1982, p. 46, Top-Satellite Antenna.
Primary Examiner—Bernard Ansher
Assistant Examiner—Theodore M. Shooman
Attorney, Agent, or Firm—Sandler & Greenblum

[57] CLAIM
The ornamental design for an indoor antenna, as shown.

DESCRIPTION
FIG. 1 is a top and front perspective view of an indoor antenna showing my new design;
FIG. 2 is a front elevational view thereof;
FIG. 3 is a left side elevational view thereof;
FIG. 4 is a top plan view thereof;
FIG. 5 is a bottom plan view thereof;
FIG. 6 is a right side elevational view thereof; and
FIG. 7 is a rear elevational view thereof.
The present invention relates to an indoor antenna having a central dish.



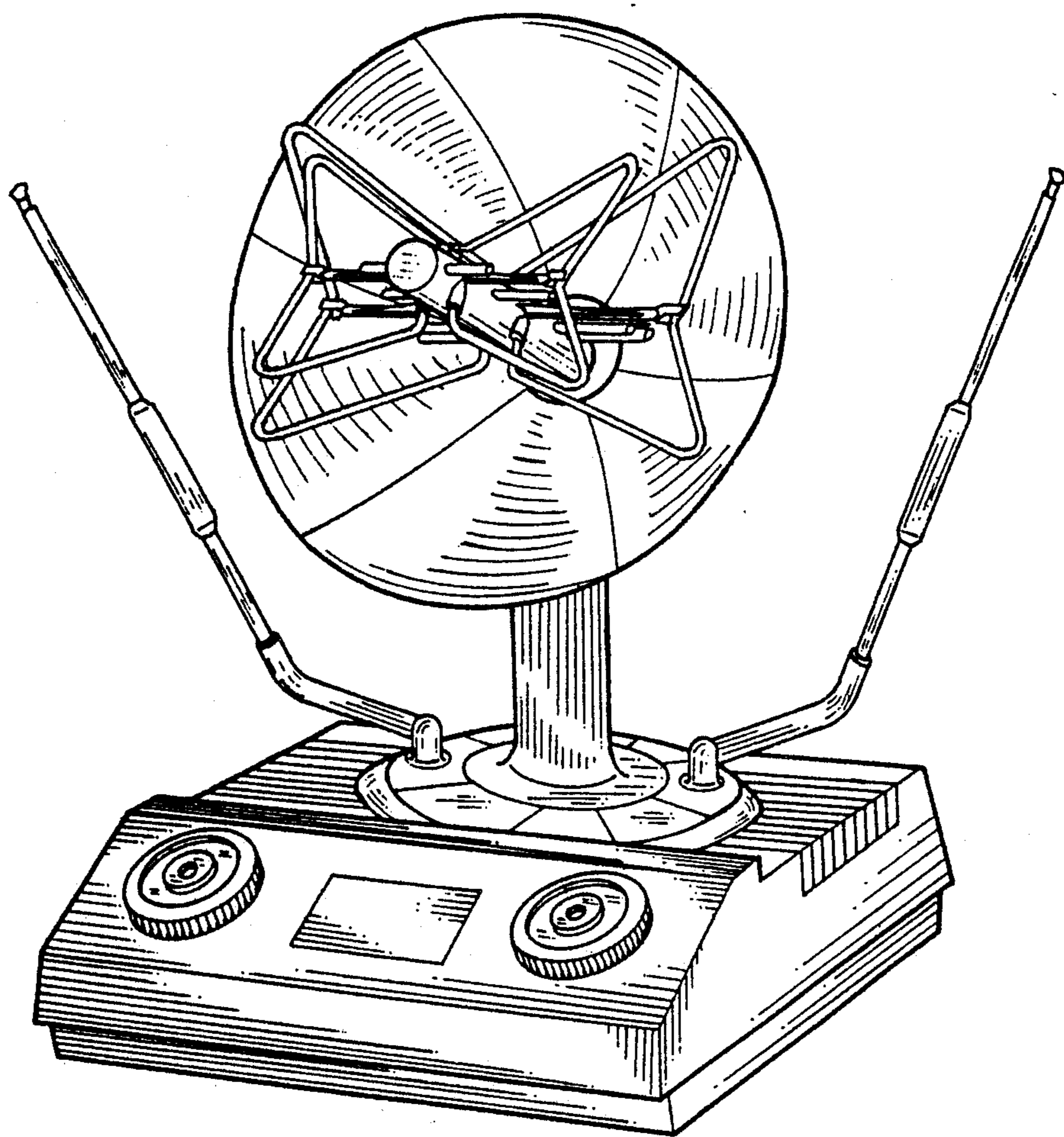


Fig. 1

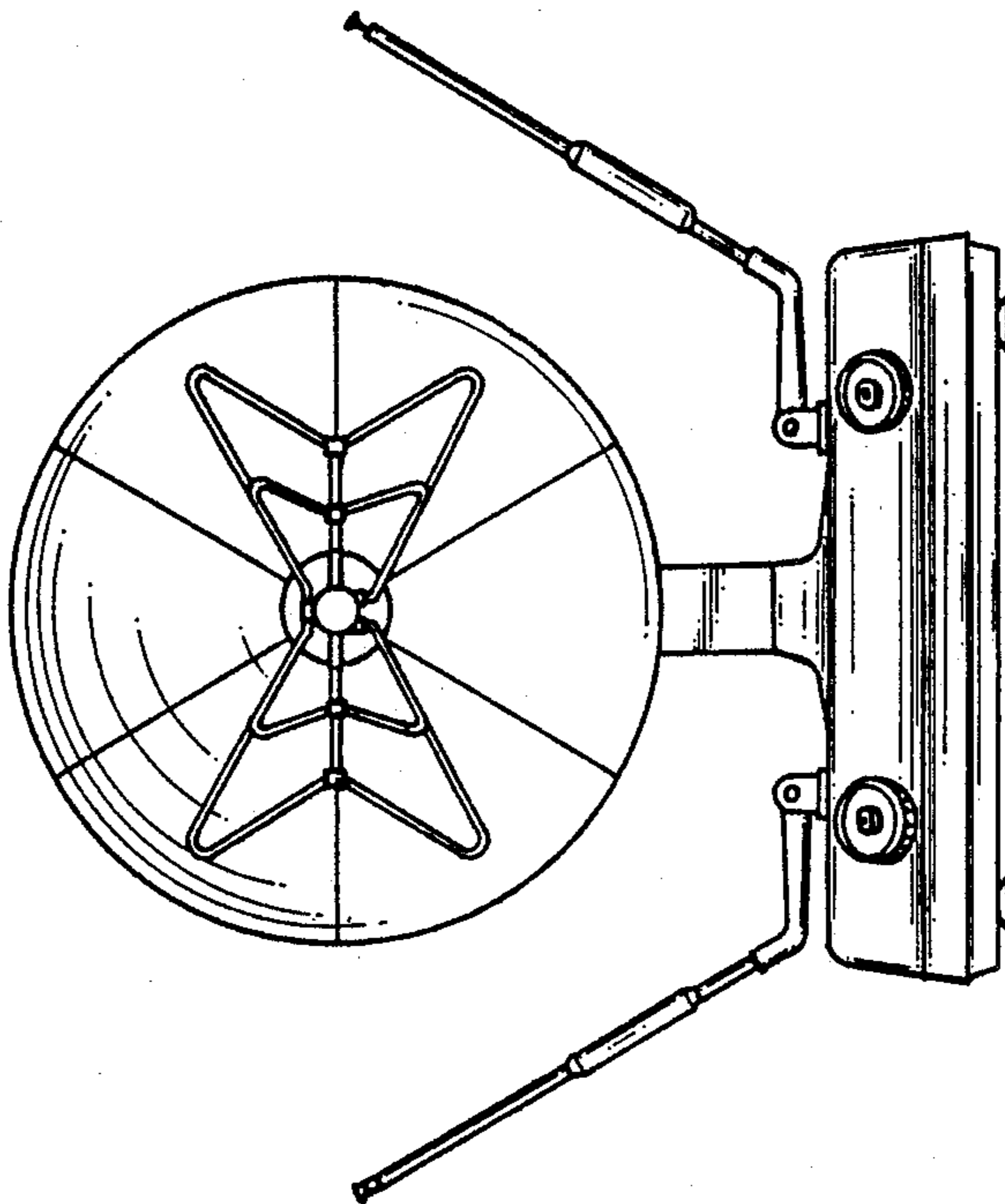


Fig. 2

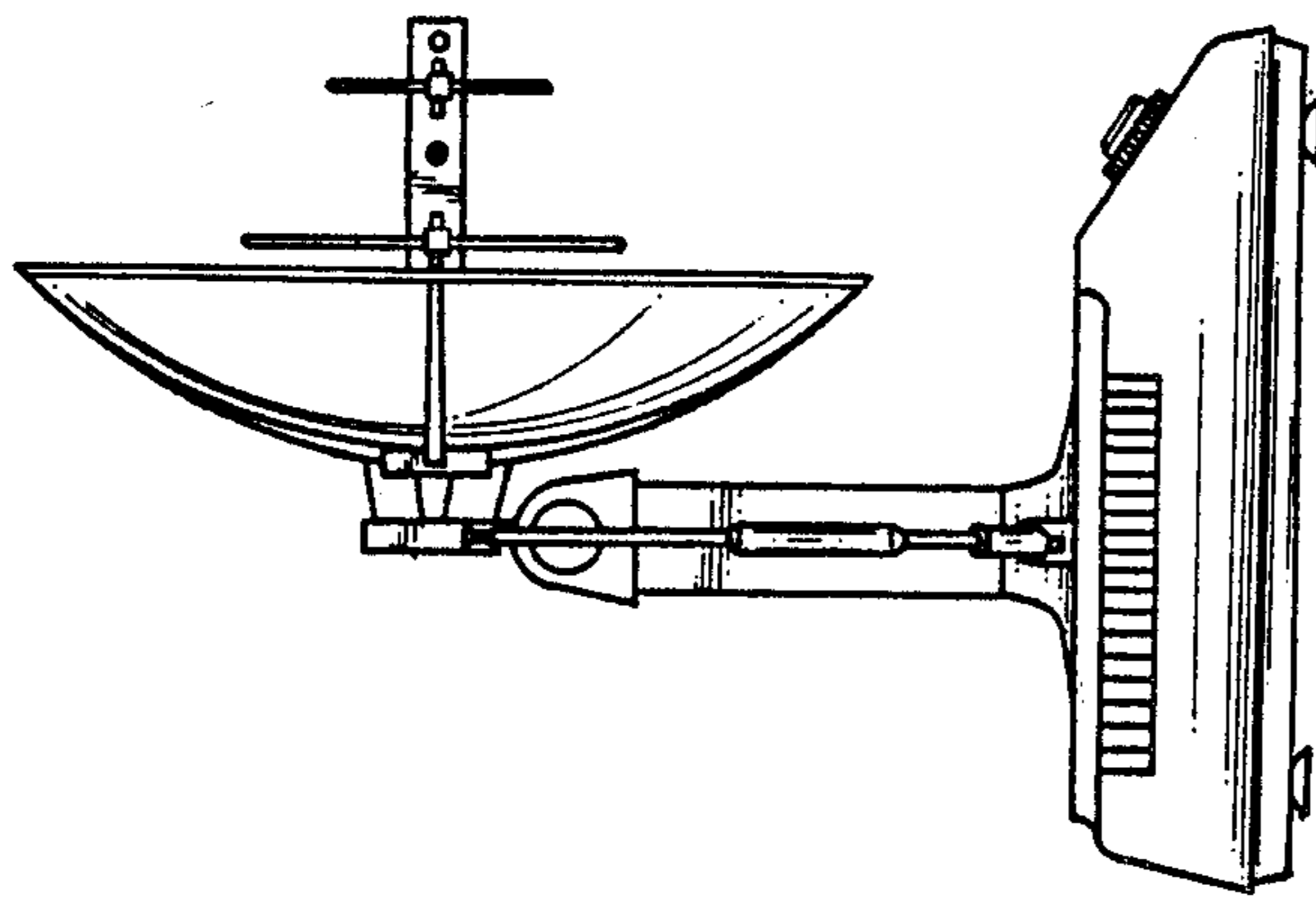


Fig. 3

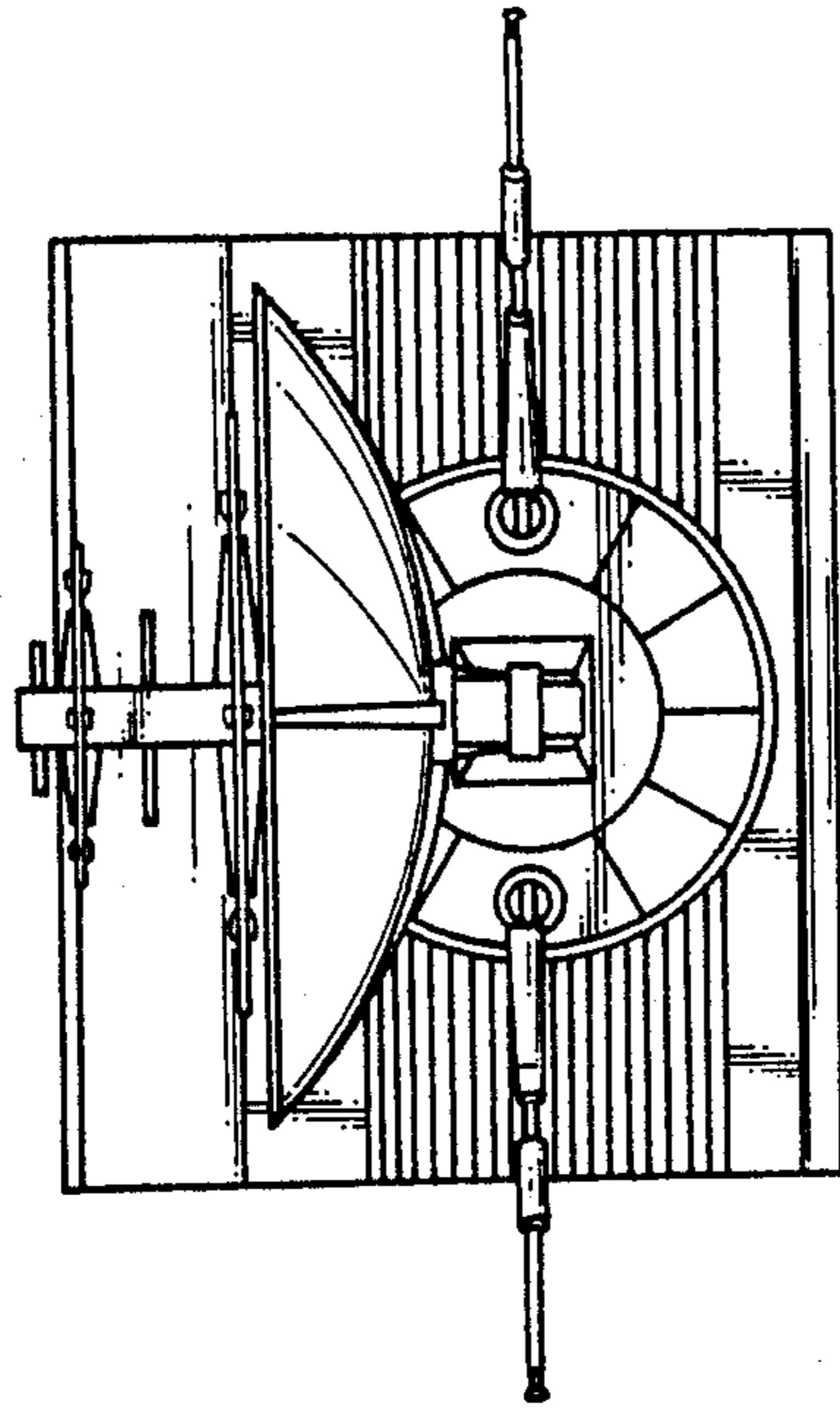


Fig. 4

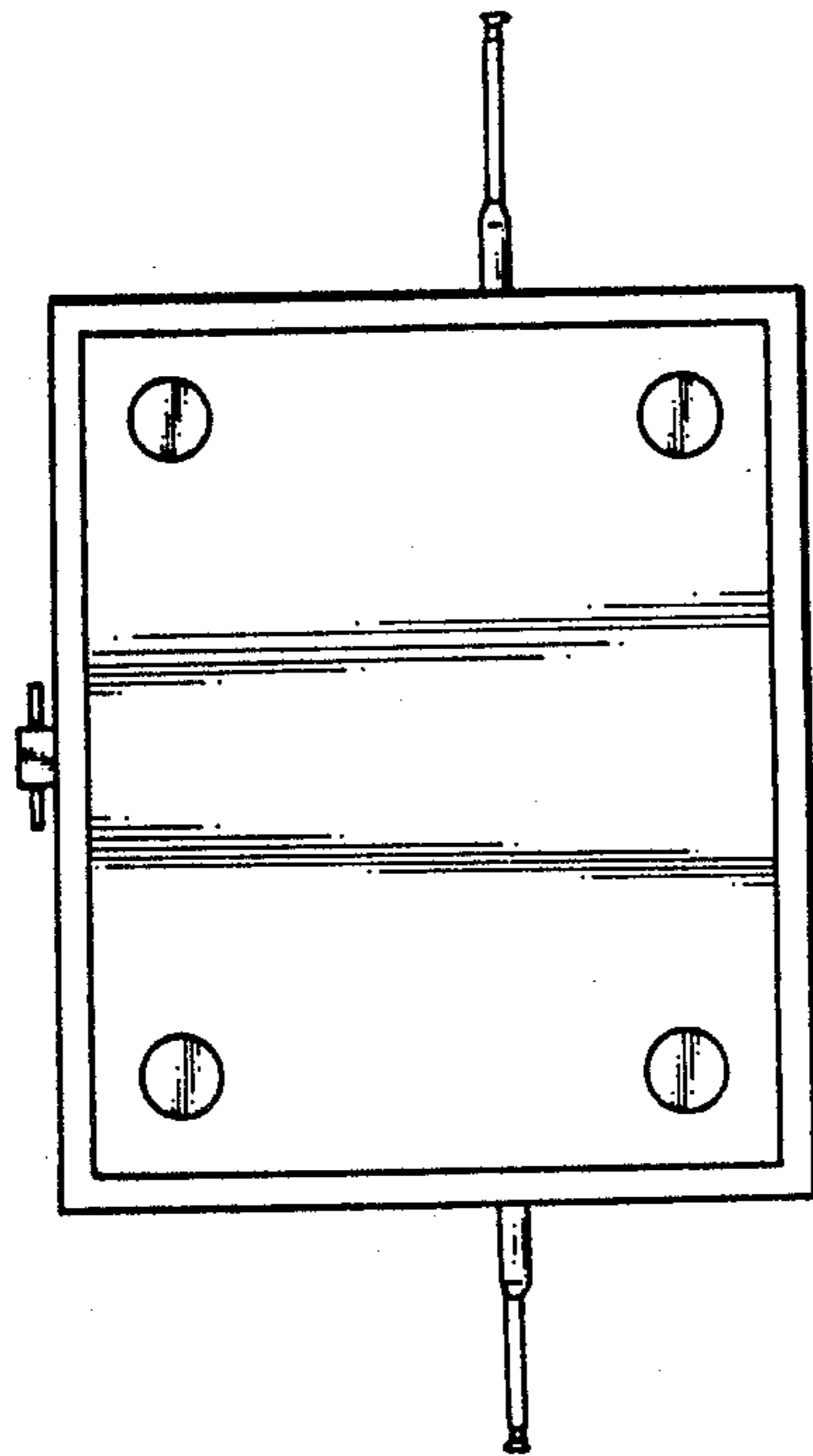


Fig. 5

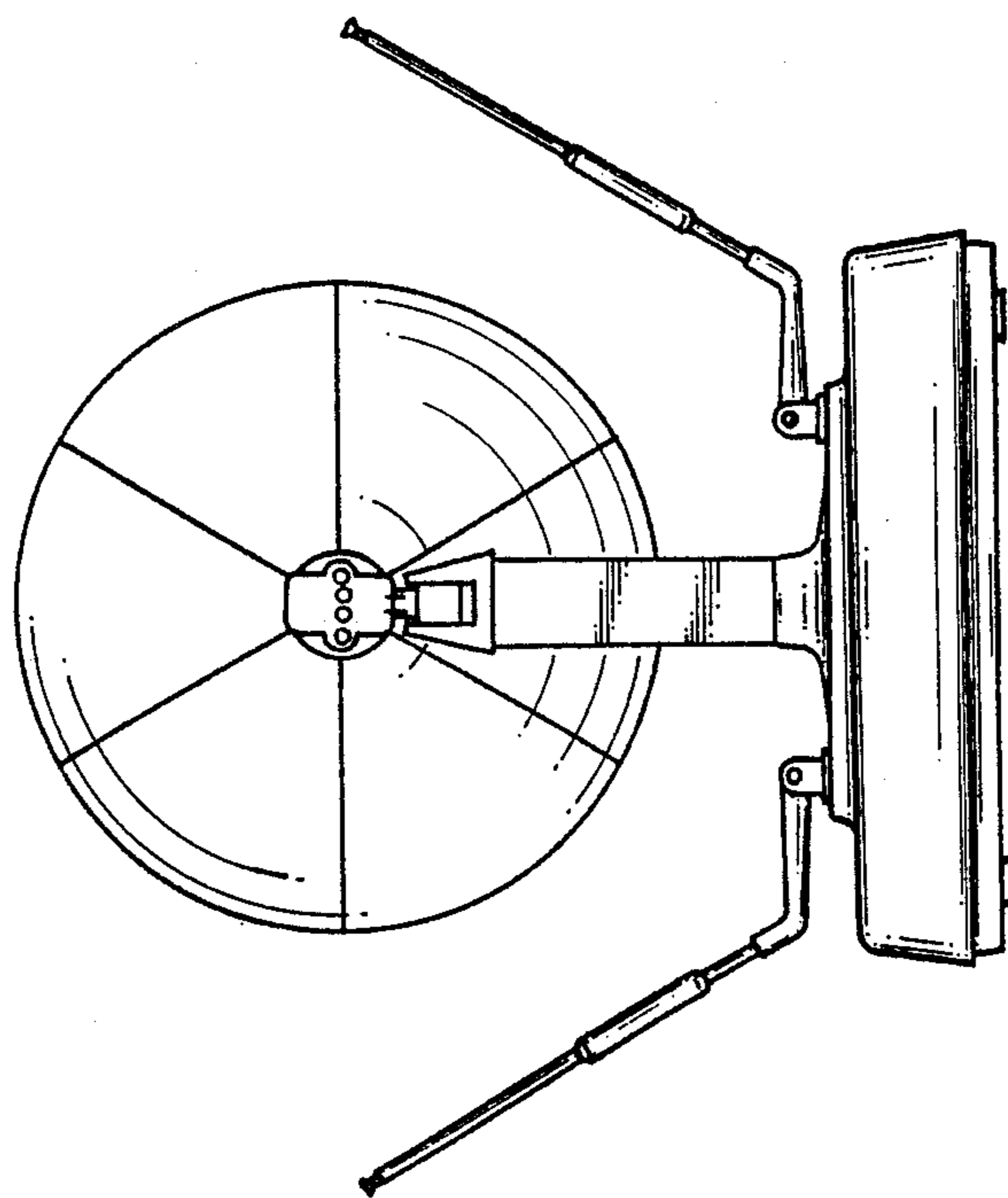


Fig. 7

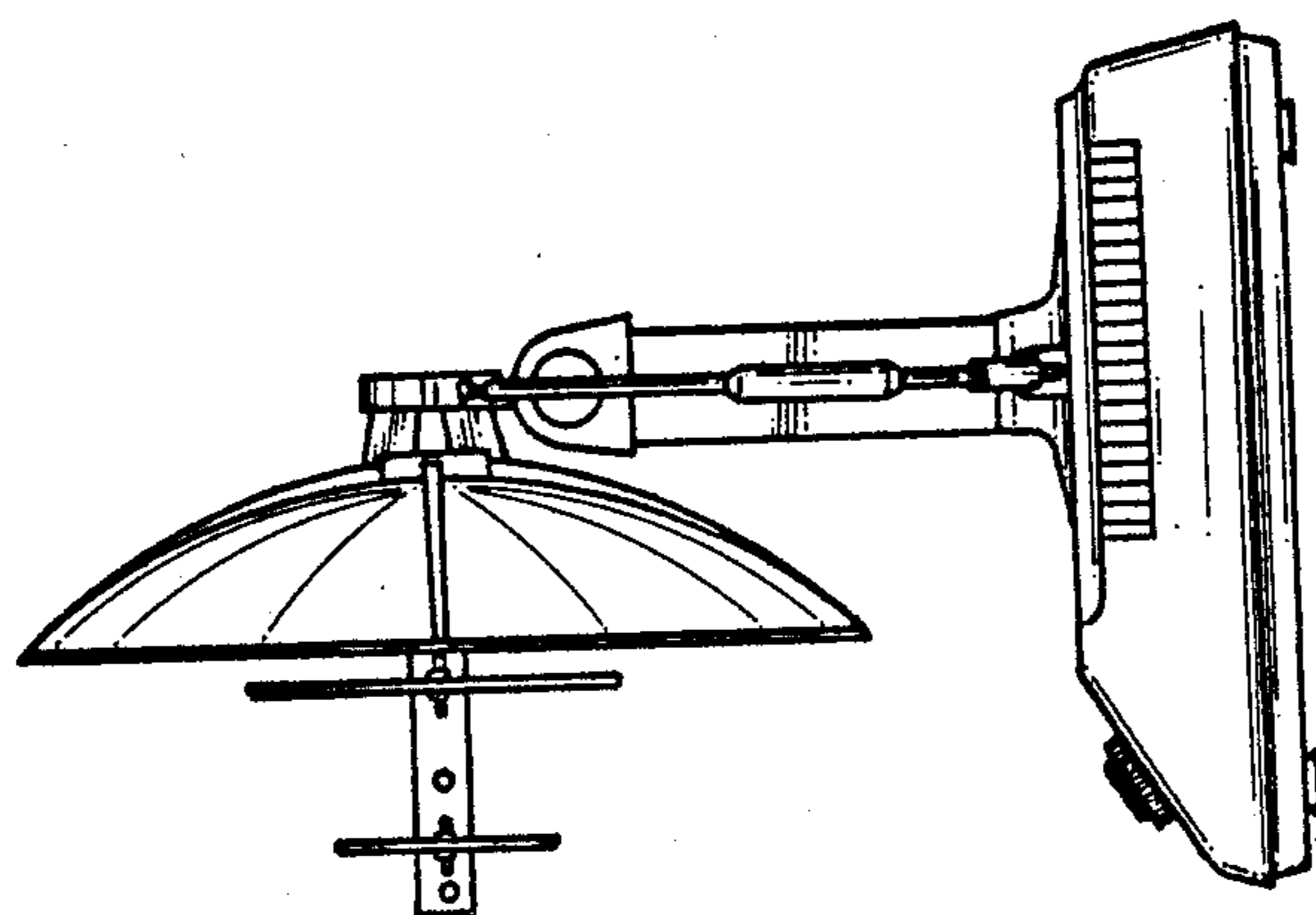


Fig. 6