

[54] **MOTORCYCLE FORK STABILIZER**

[76] **Inventor: Jerome C. Jorgensen, 434 Rosepaw Way, Placentia, Calif. 92670**

[**] **Term: 14 Years**

[21] **Appl. No.: 82,563**

[22] **Filed: Aug. 7, 1987**

[52] **U.S. Cl. D12/117**

[58] **Field of Search D12/118, 114; 280/754, 280/276, 277, 279**

[56] **References Cited**

U.S. PATENT DOCUMENTS

D. 289,987 5/1987 Junes D12/114
4,742,885 5/1988 Tidwell 280/276

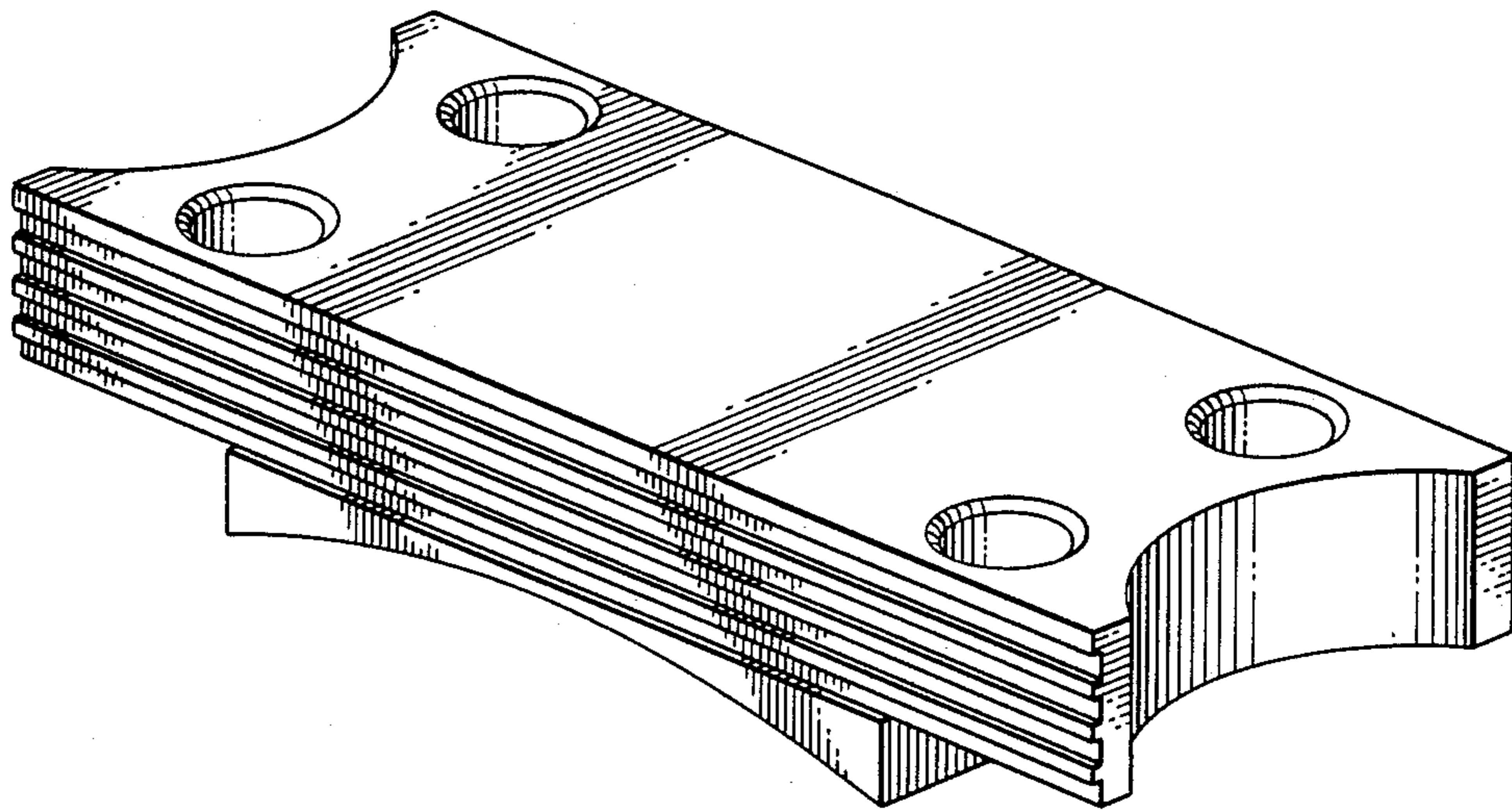
Primary Examiner—Susan J. Lucas
Assistant Examiner—M. Brown
Attorney, Agent, or Firm—Richard F. Carr; Allan Rothenberg; Richard L. Gausewitz

[57] **CLAIM**

The ornamental design for a motorcycle fork stabilizer, as shown.

DESCRIPTION

FIG. 1 is a top isometric view of a motorcycle fork stabilizer for interposing between the front forks of a motorcycle showing my new design; FIG. 2 is a front elevational view thereof; FIG. 3 is a left side elevational view thereof; and FIG. 4 is a bottom isometric view thereof.



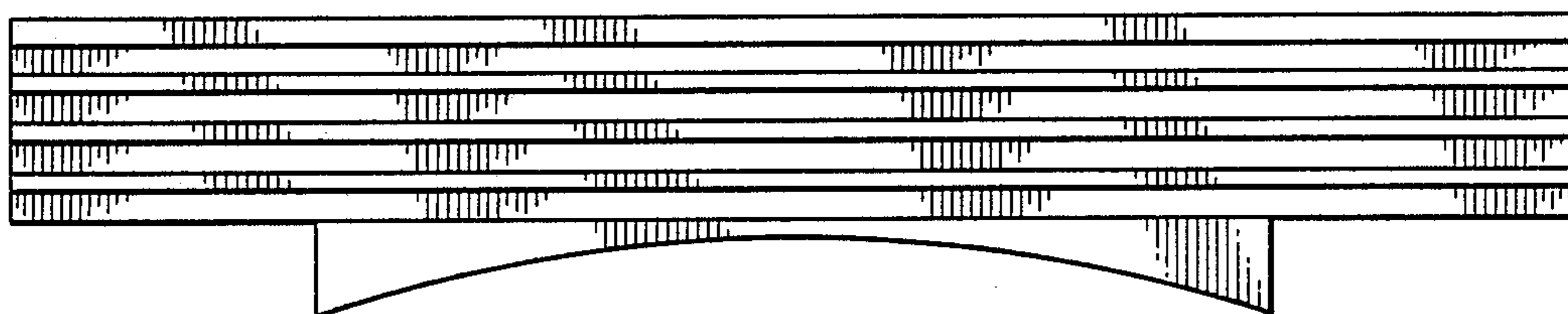
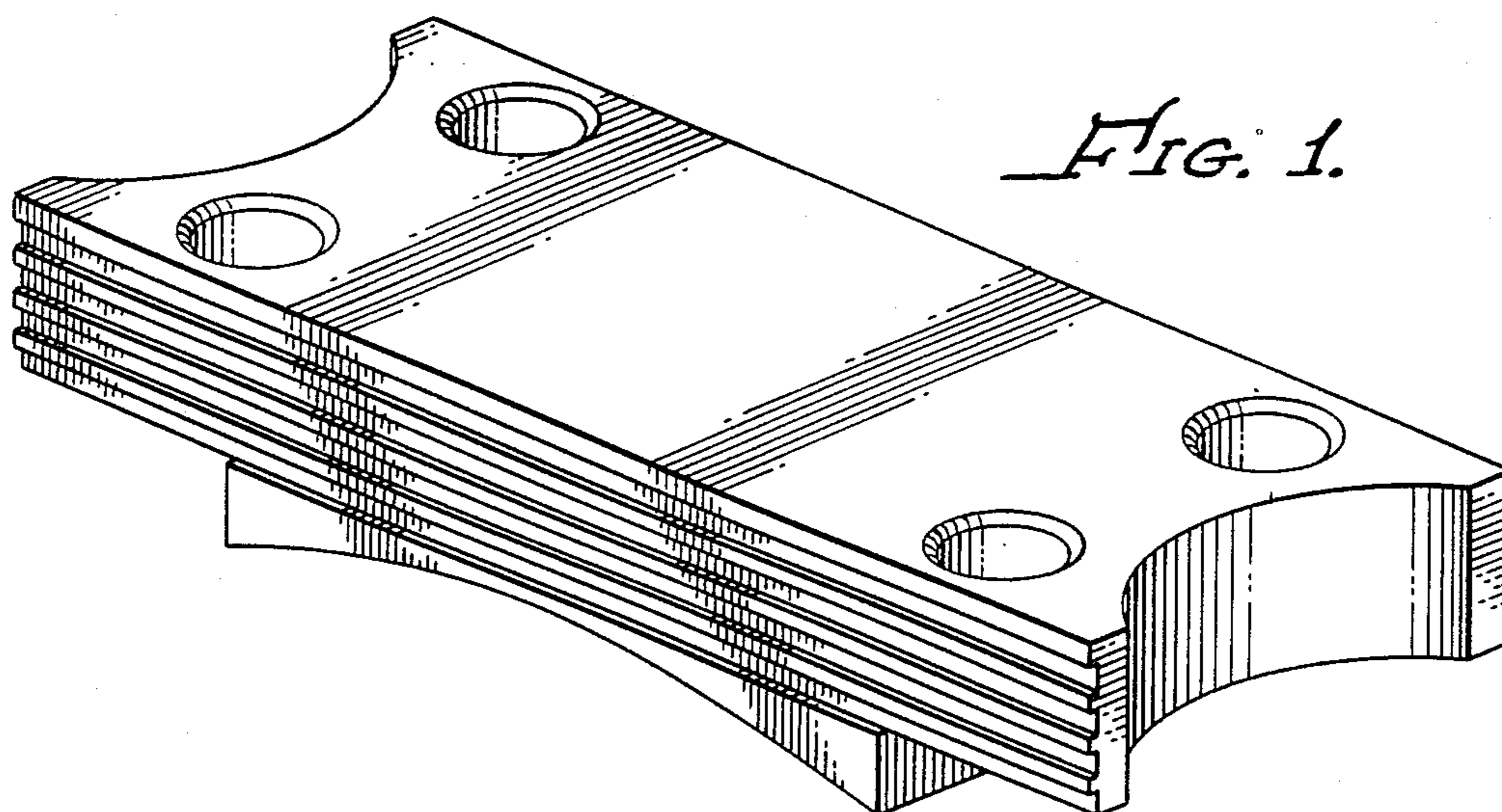


FIG. 3.

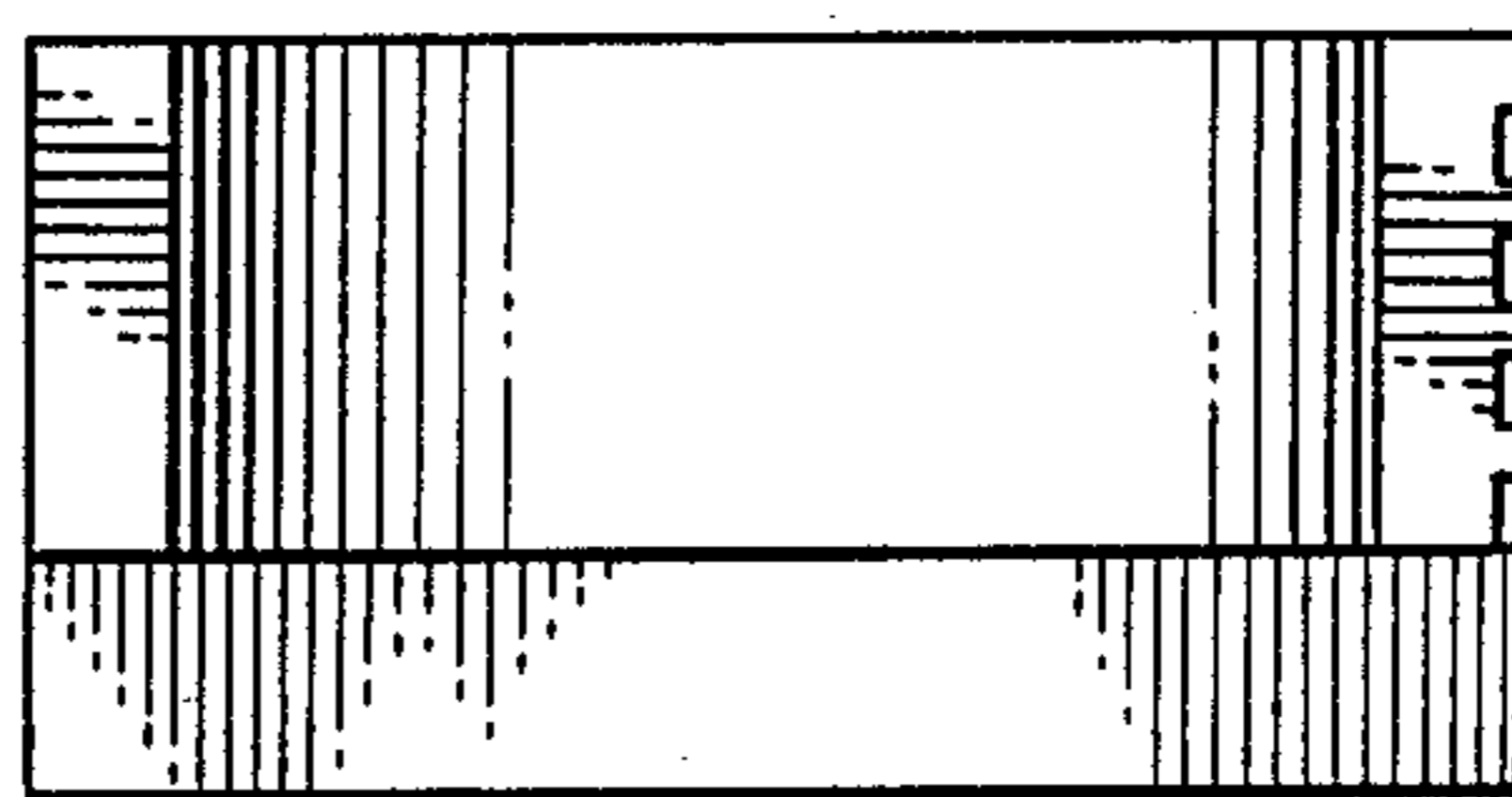


FIG. 4.

