

[54] **METER INSULATING JACKET**

[76] **Inventor: Mack Goodrich, 4051 Lofgren Ct.,  
Lexington, Ky. 40509**

[\*\*] **Term: 14 Years**

[21] **Appl. No.: 907,527**

[22] **Filed: Sep. 15, 1986**

[52] **U.S. Cl. .... D10/103**

[58] **Field of Search ..... D10/103; 73/431, 432,  
73/273; 138/149, 156, 164**

[56] **References Cited**

**U.S. PATENT DOCUMENTS**

D. 139,694	12/1944	Oclrich	.....	D10/102
D. 168,481	12/1952	Sbuler et al.	.....	D10/103
D. 232,622	9/1974	Heelan	.	
D. 279,554	7/1985	Hicks	.....	D10/103
D. 295,839	5/1988	O'Brien et al.	.....	D10/103
1,108,840	8/1914	Franke	.	
3,556,158	1/1971	Schneider	.	
3,724,491	4/1973	Knudsen et al.	.	

3,731,534	5/1973	Painley et al.	.....	73/273
4,422,325	12/1987	Sutherland et al.	.....	73/273

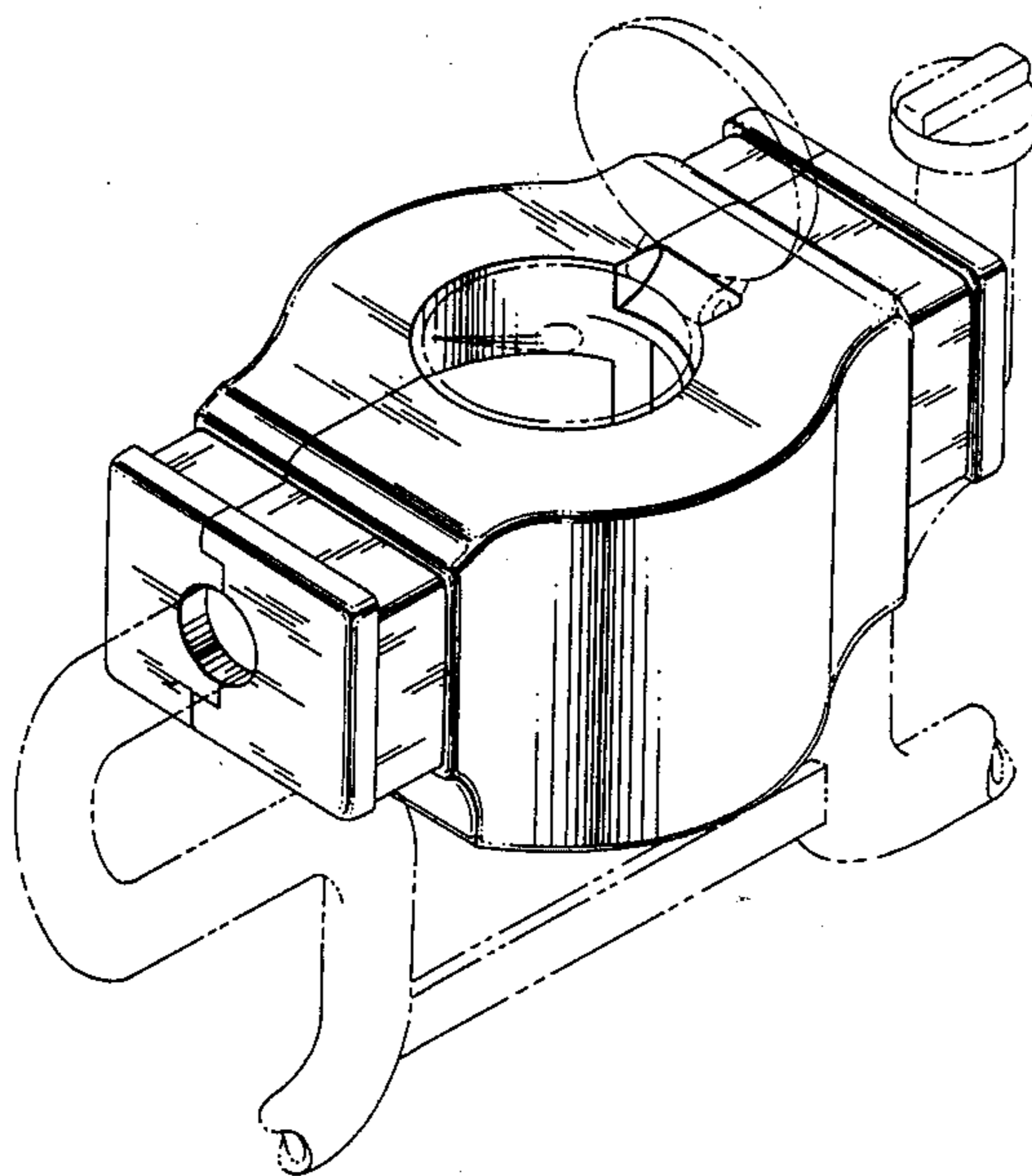
*Primary Examiner*—Nelson C. Holtje  
*Assistant Examiner*—Antoine D. Davis  
*Attorney, Agent, or Firm*—King & Schickli

[57] **CLAIM**

The ornamental design for a meter insulating jacket, as shown and described.

**DESCRIPTION**

FIG. 1 is a perspective view of the meter insulating jacket showing my new design positioned around a water meter (dashed lines);  
FIG. 2 is a top plan view;  
FIG. 3 is a bottom plan view;  
FIG. 4 is a front elevational view, the rear elevational view being substantially the same as shown but reversed;  
FIG. 5 is a right side elevational view, the left side elevational view being substantially the same as shown but reversed.



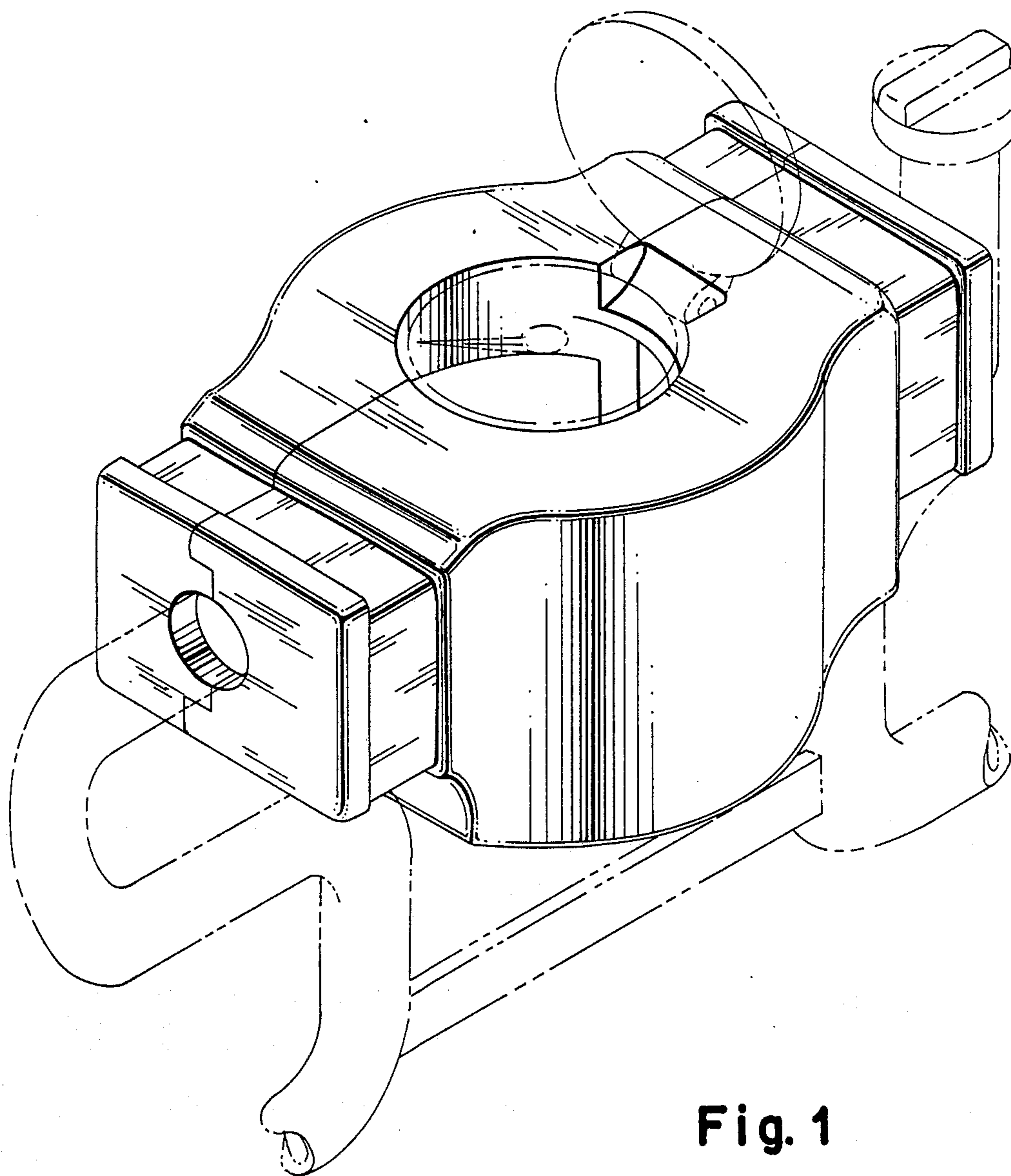


Fig. 1

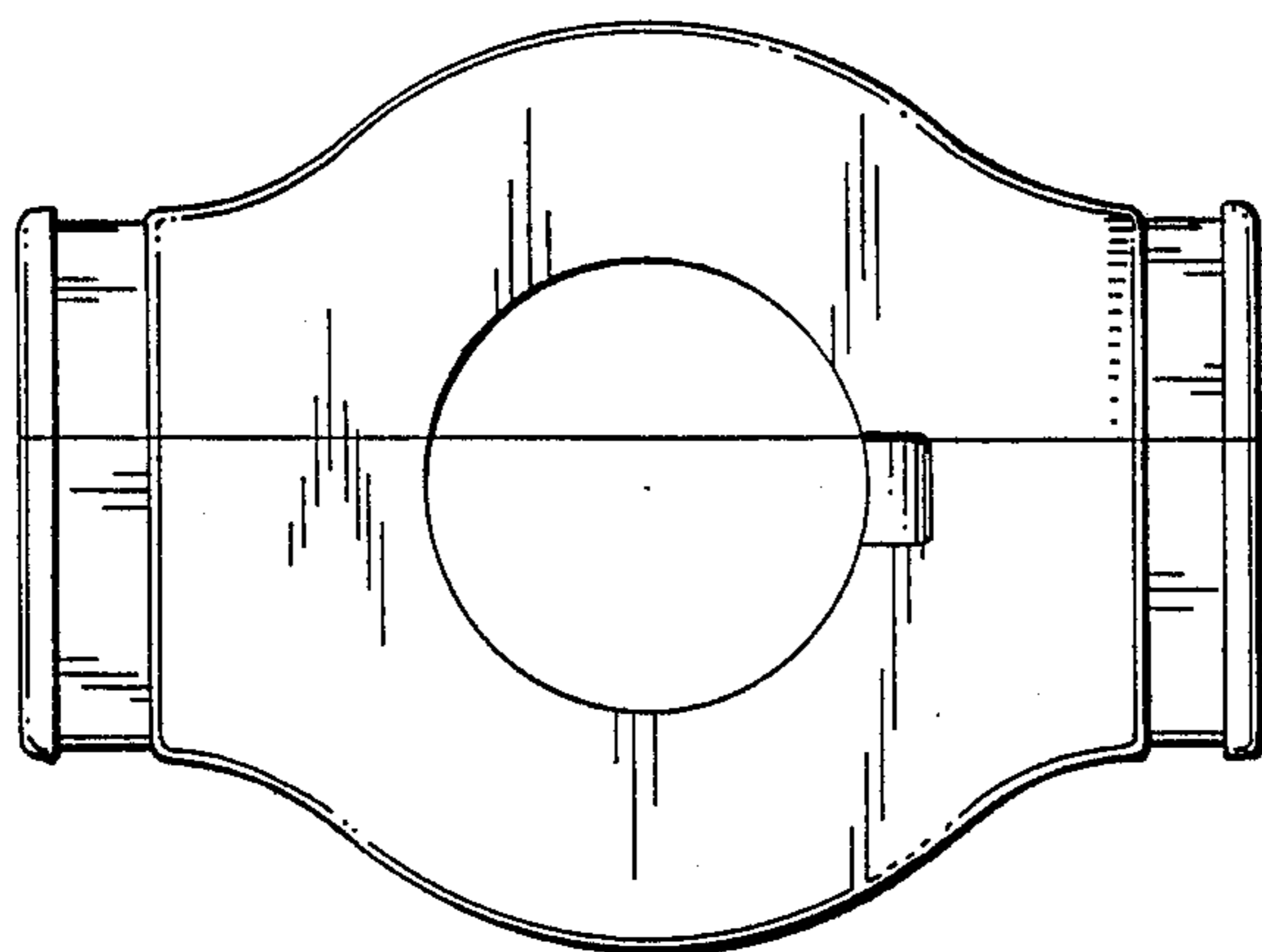


Fig. 2

Fig. 3

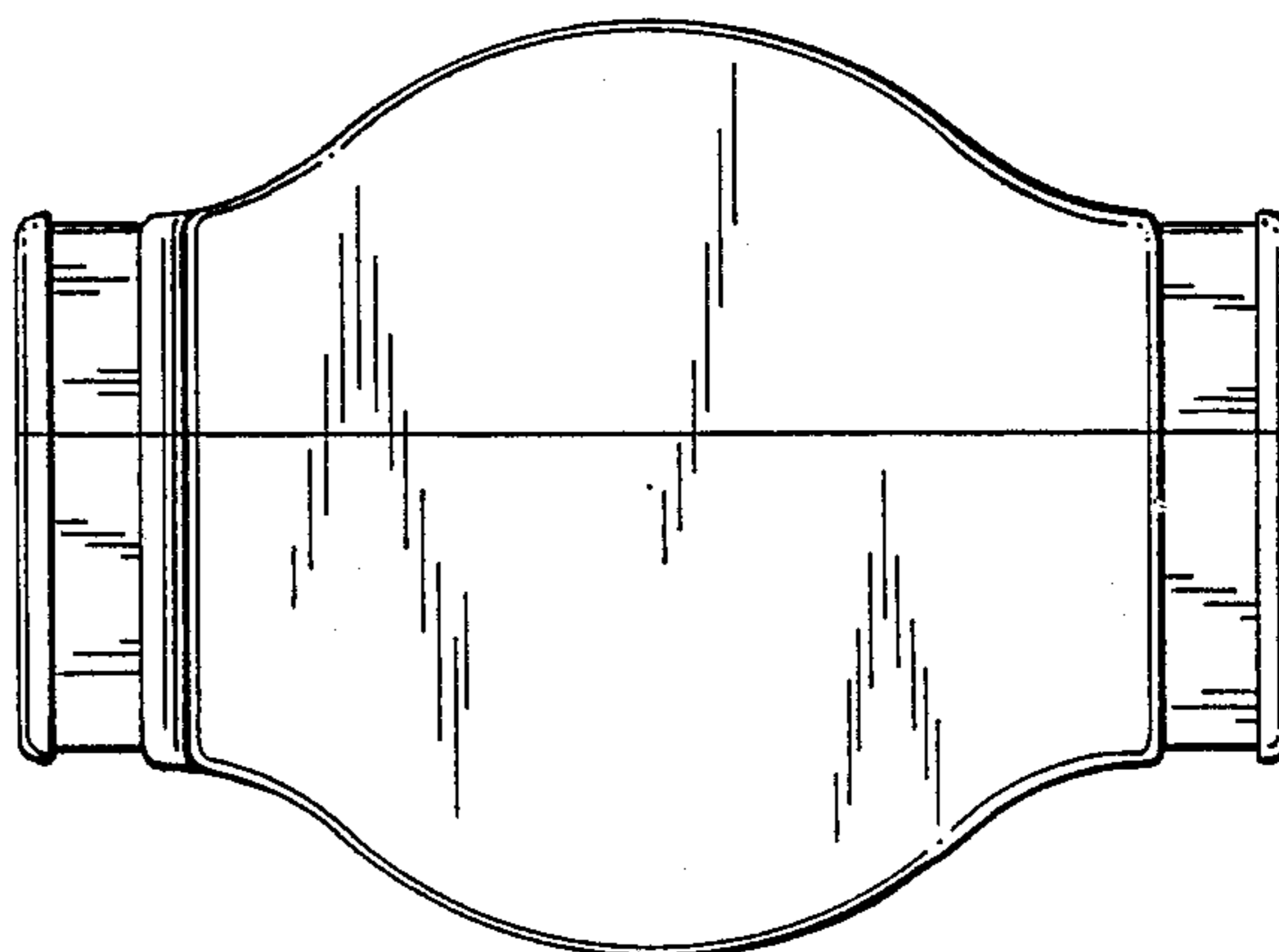


Fig. 4

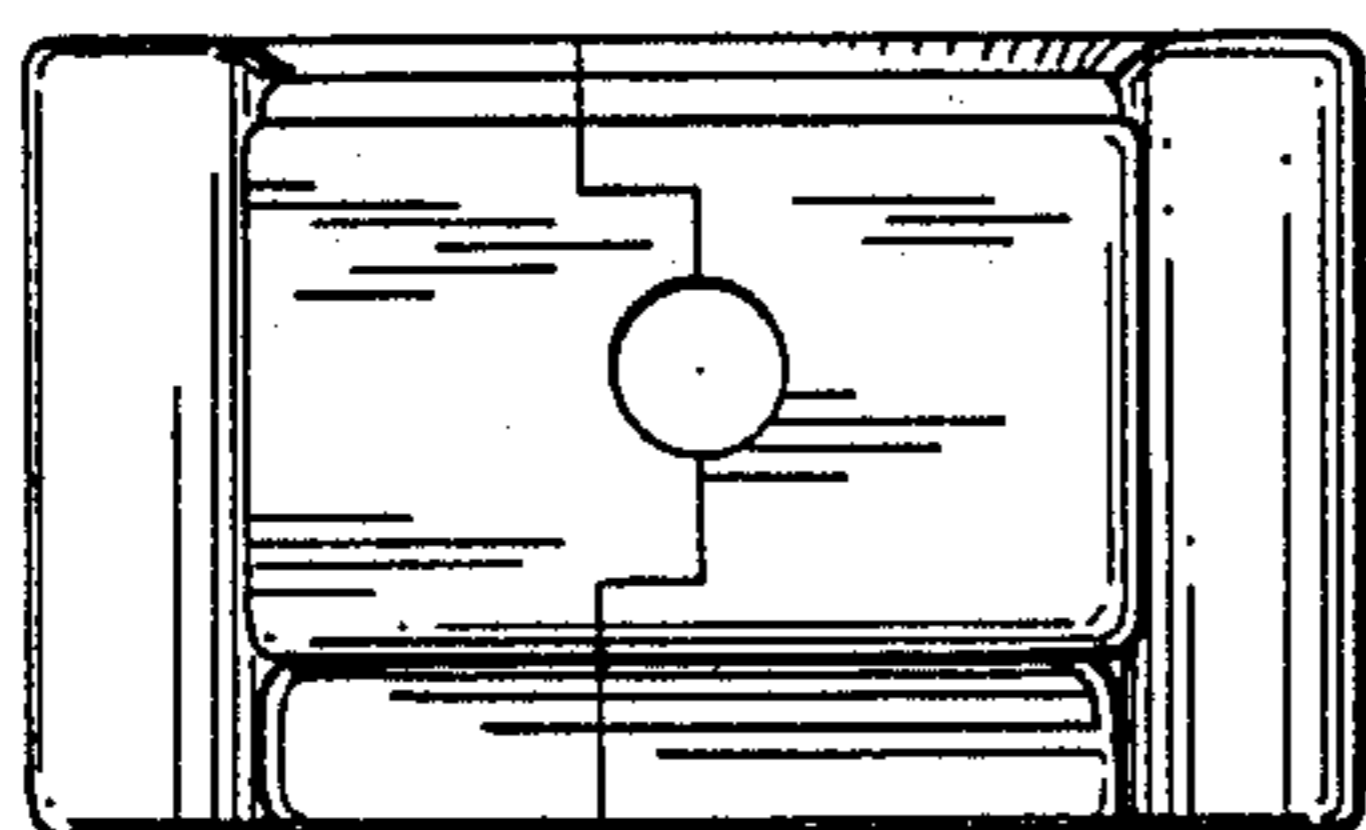


Fig. 5

